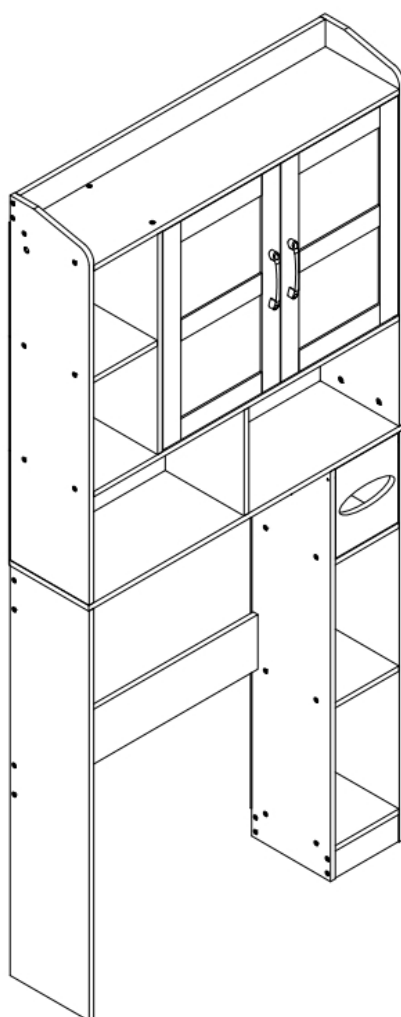


Toilet storage rack

Product ID. Q7WCB

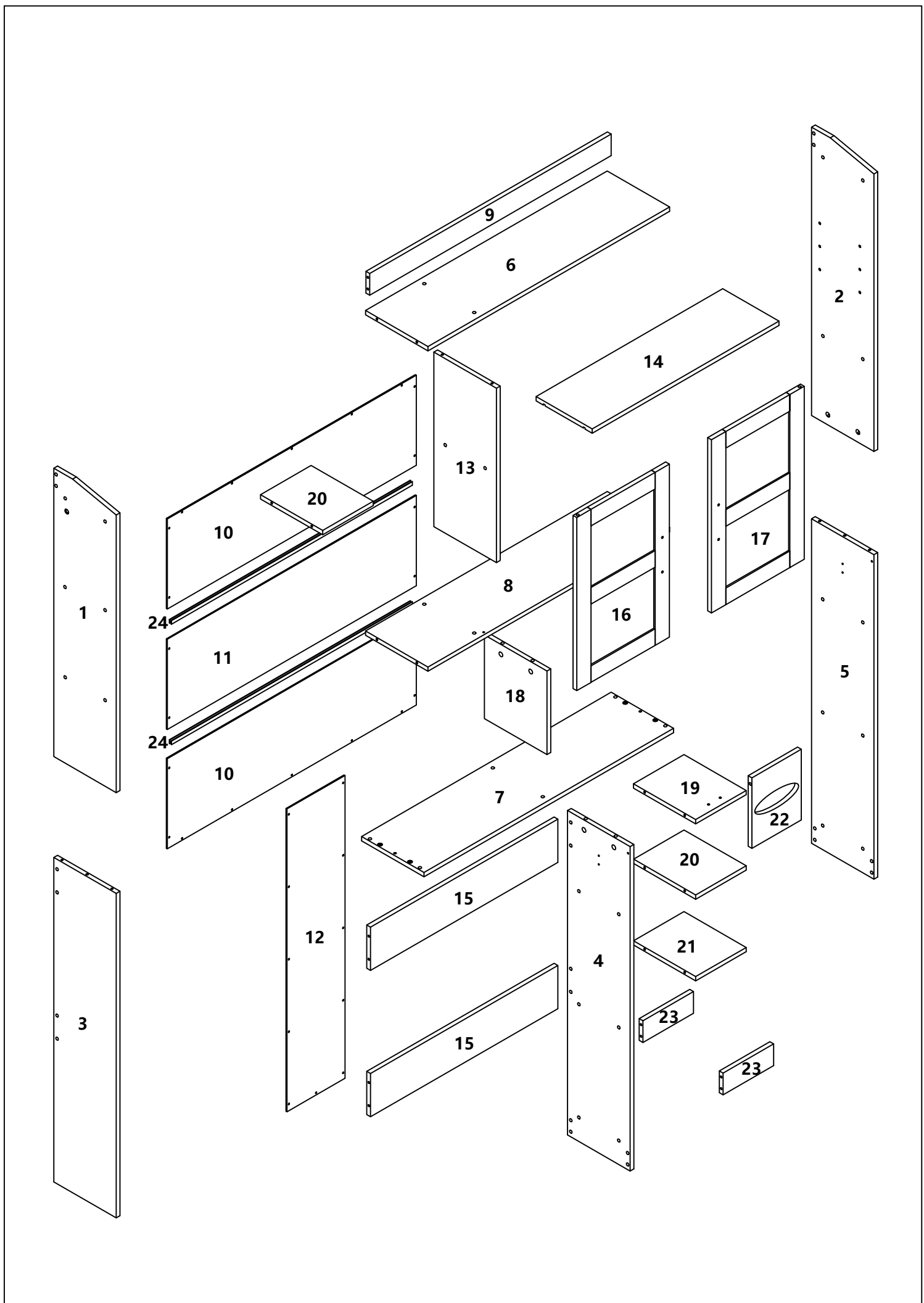


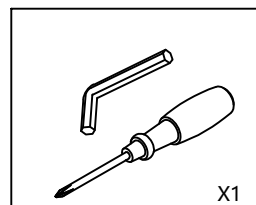
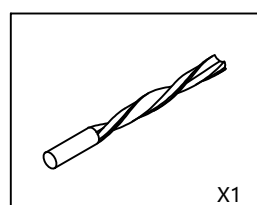
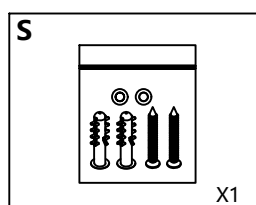
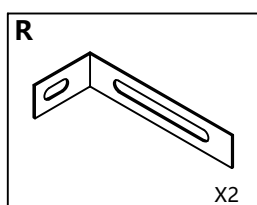
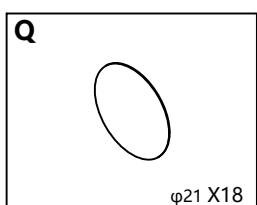
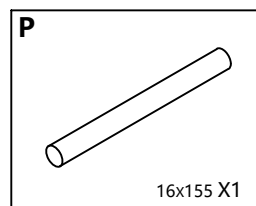
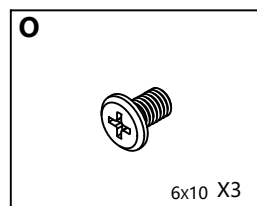
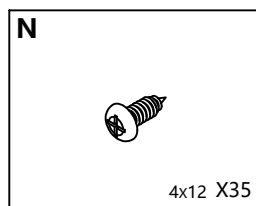
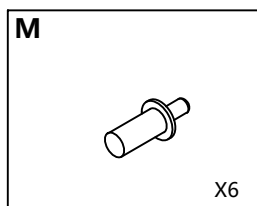
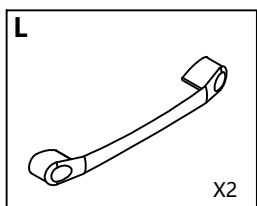
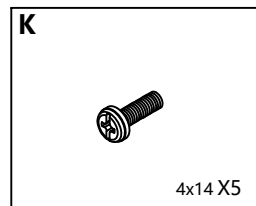
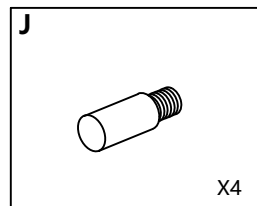
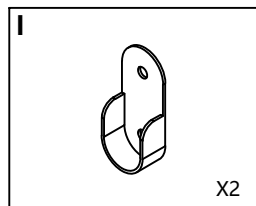
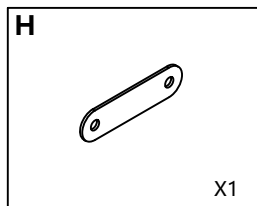
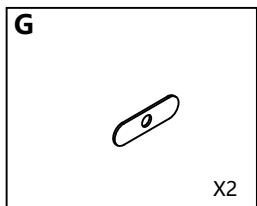
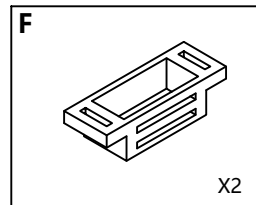
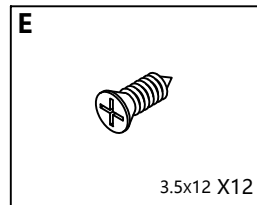
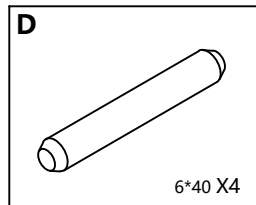
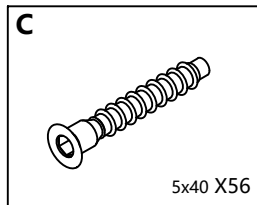
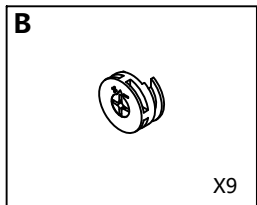
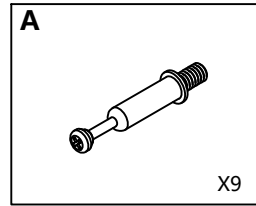
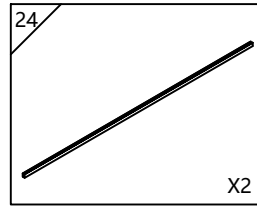
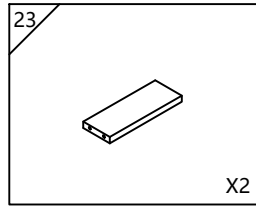
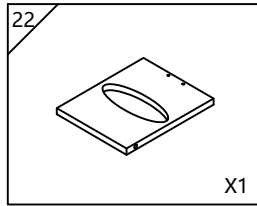
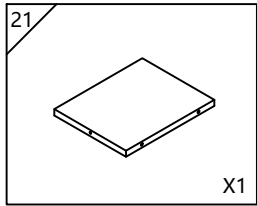
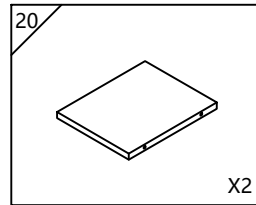
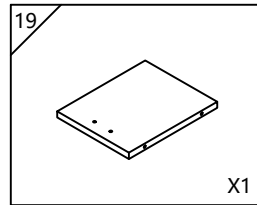
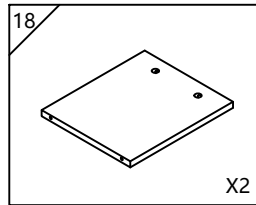
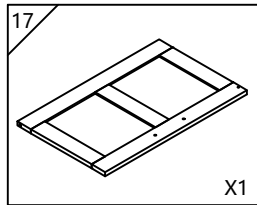
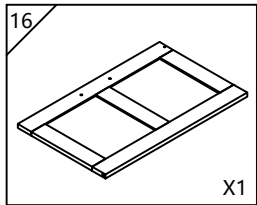
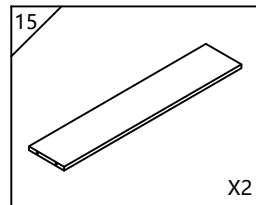
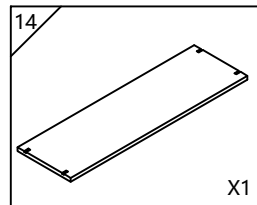
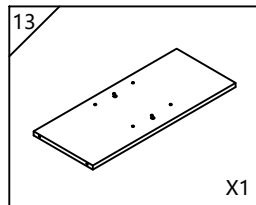
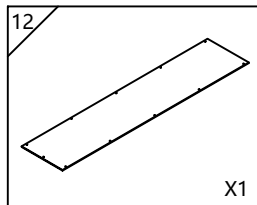
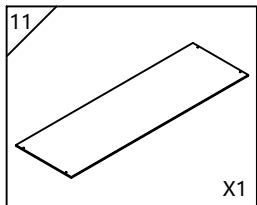
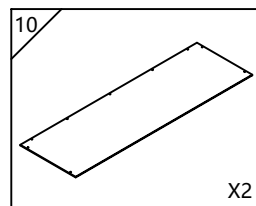
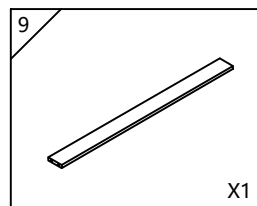
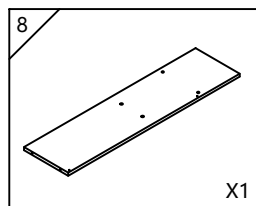
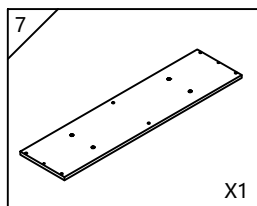
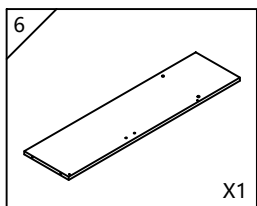
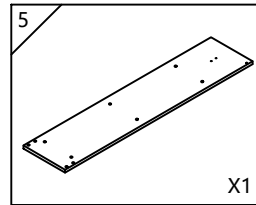
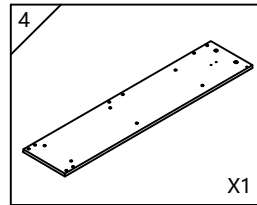
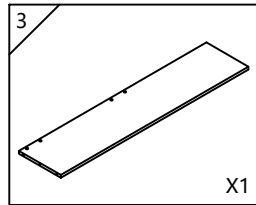
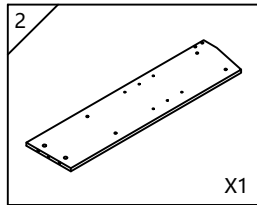
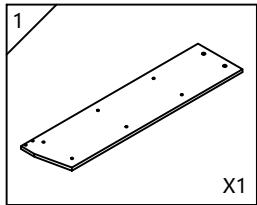
Scan for Support
support@garvee.com

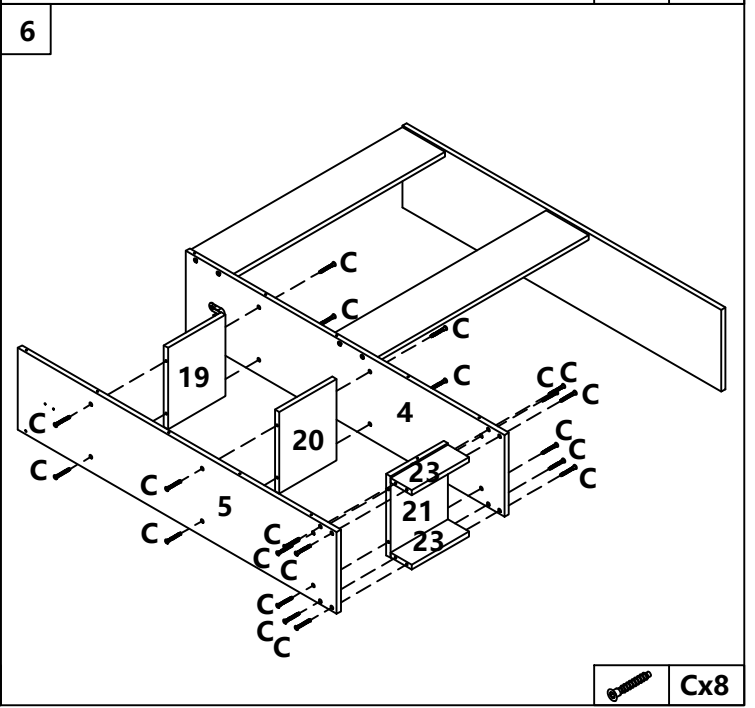
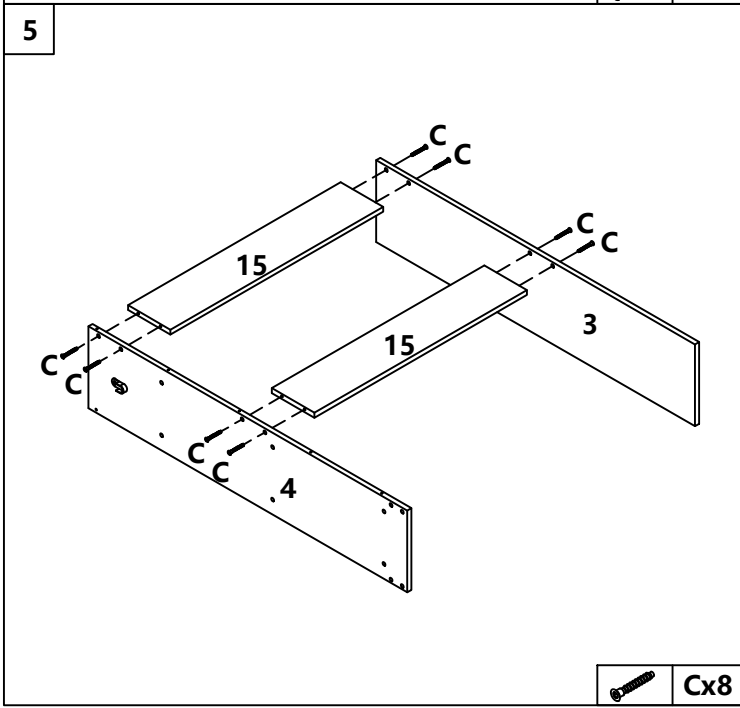
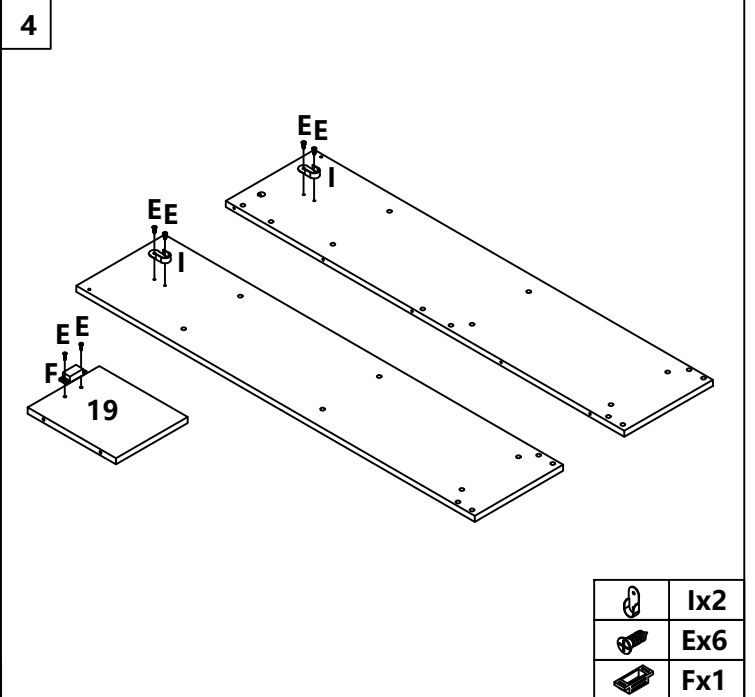
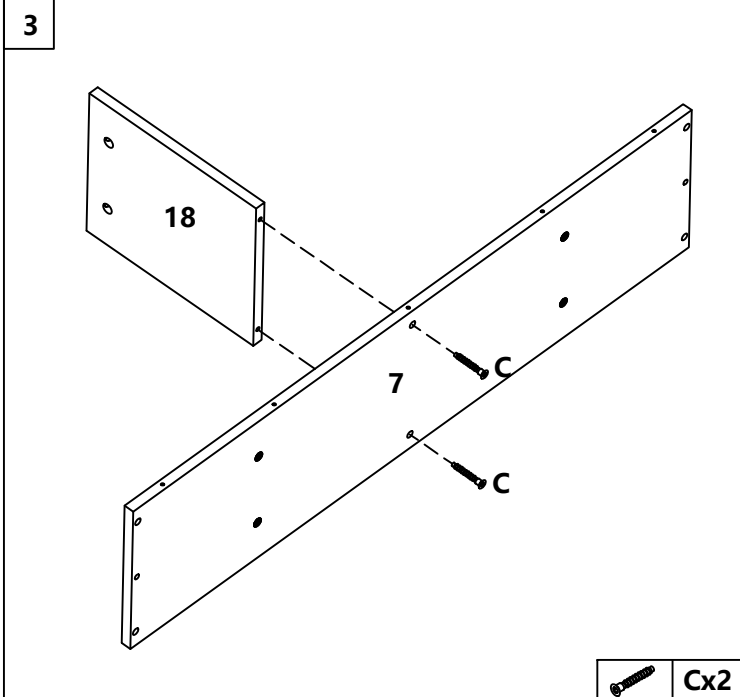
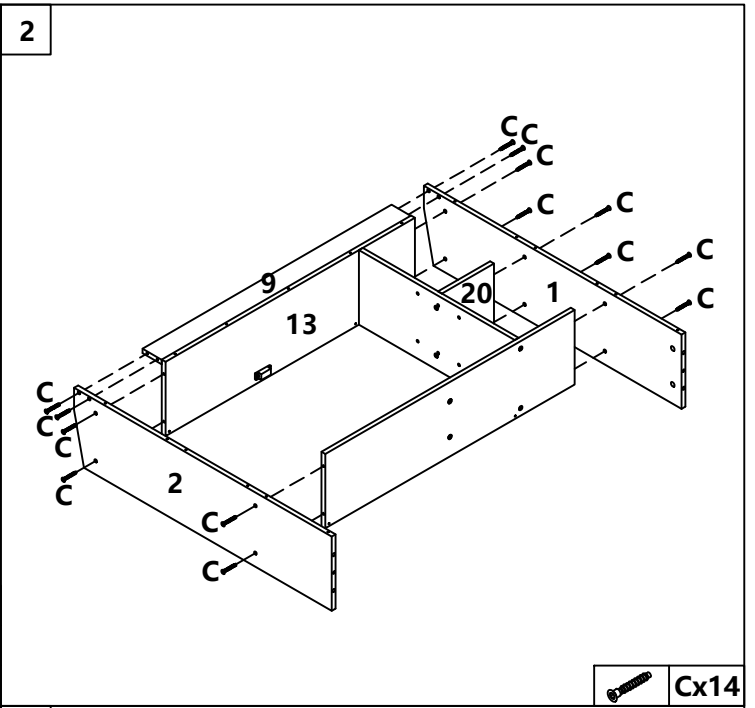
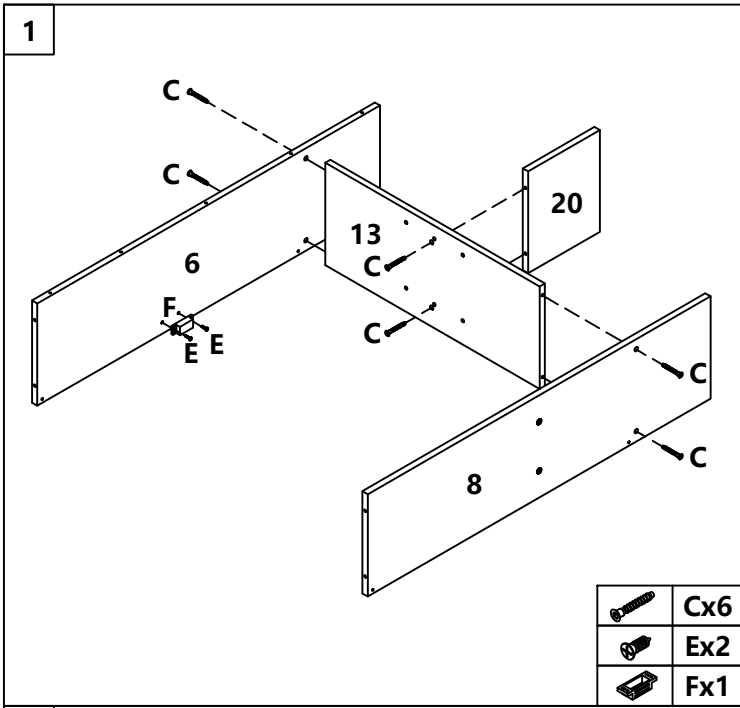


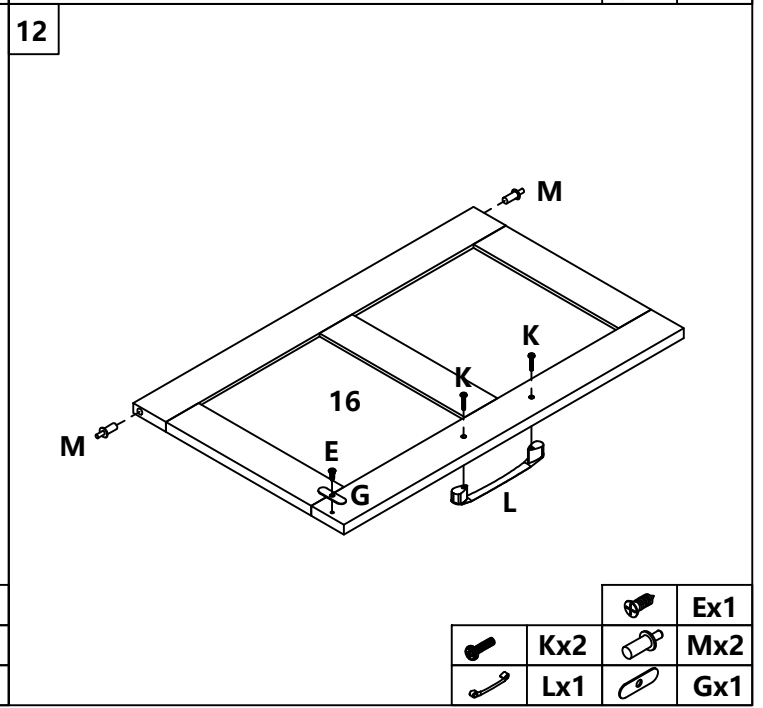
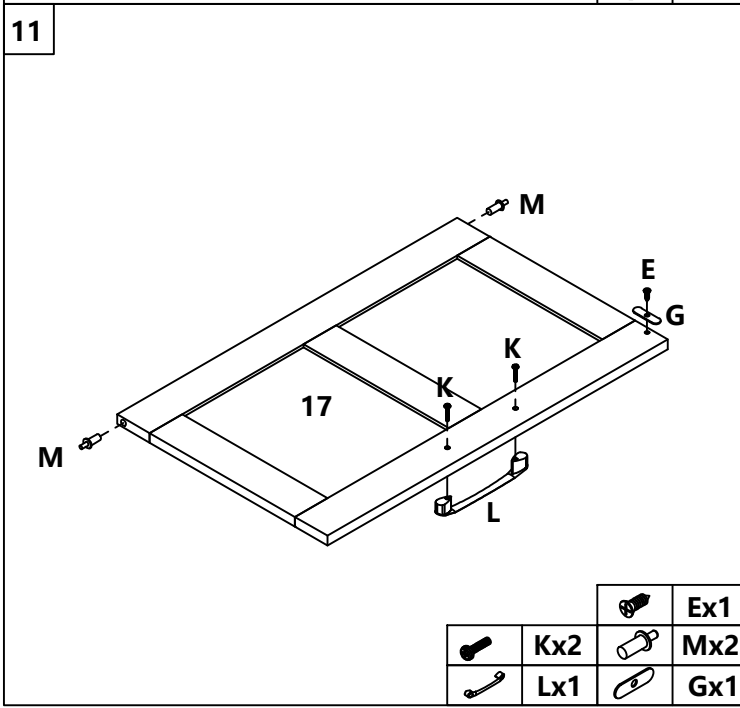
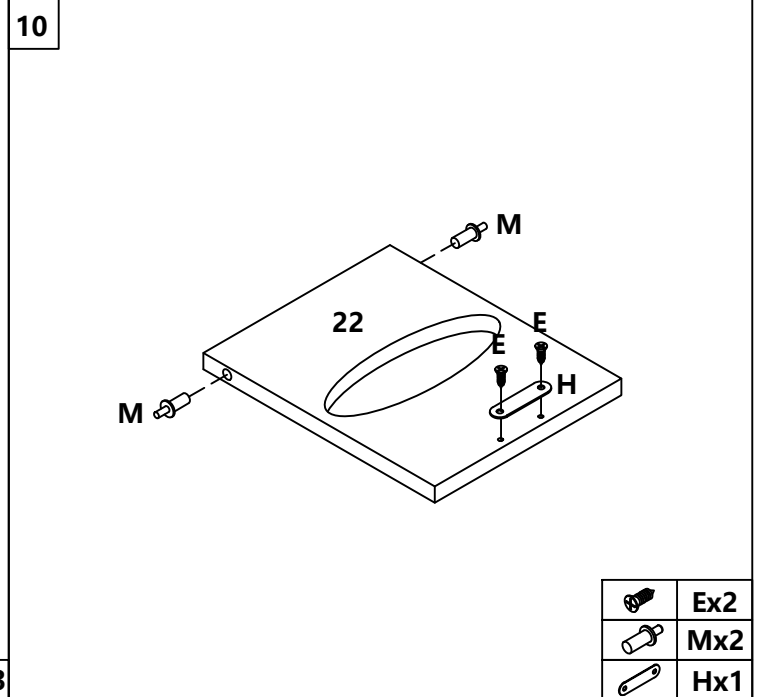
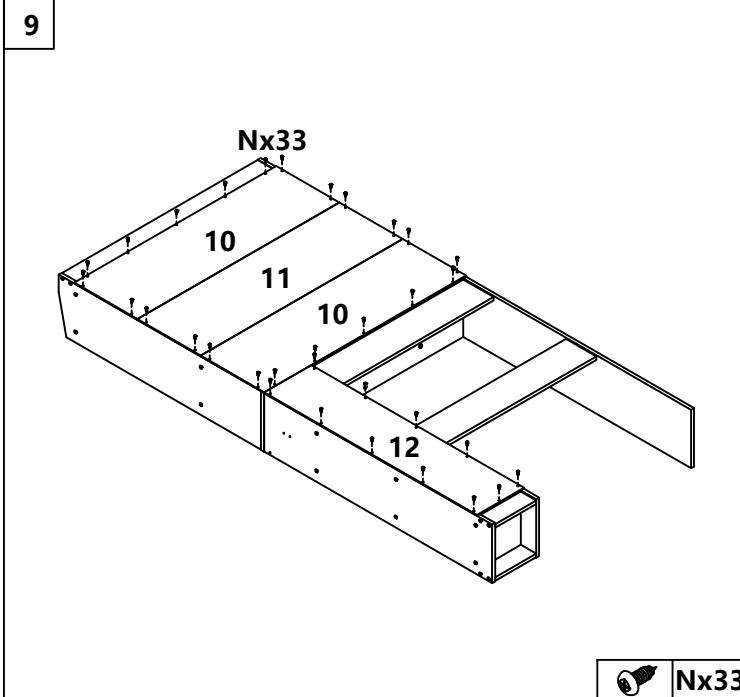
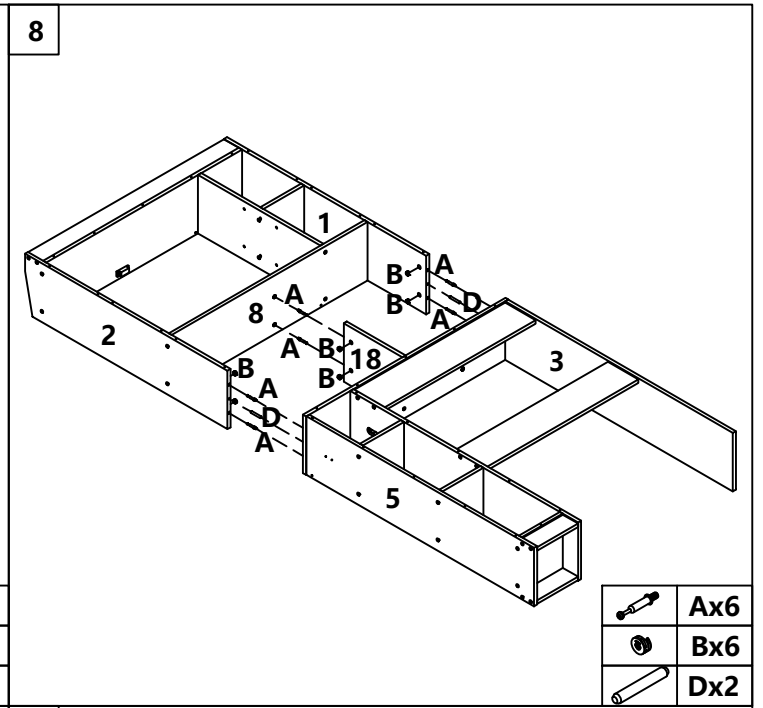
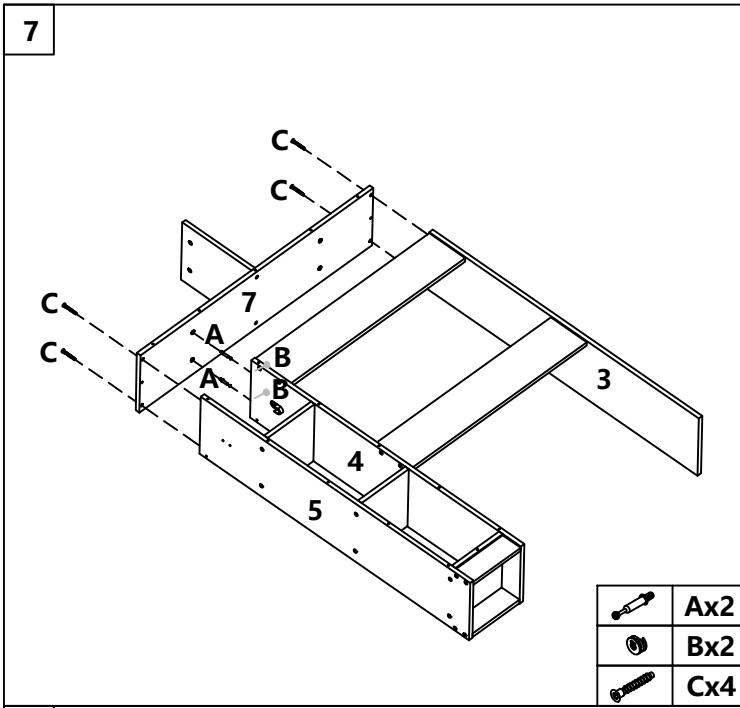
Distributed by
GARVEE.com

V2511262DGM

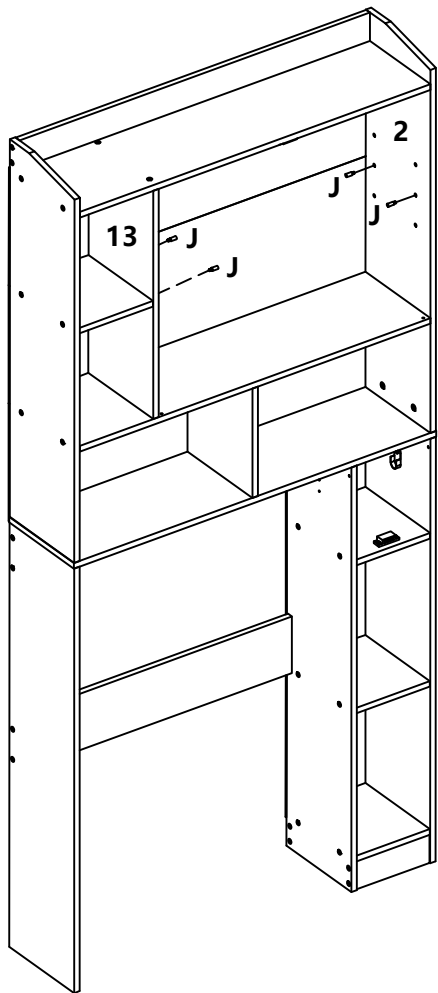






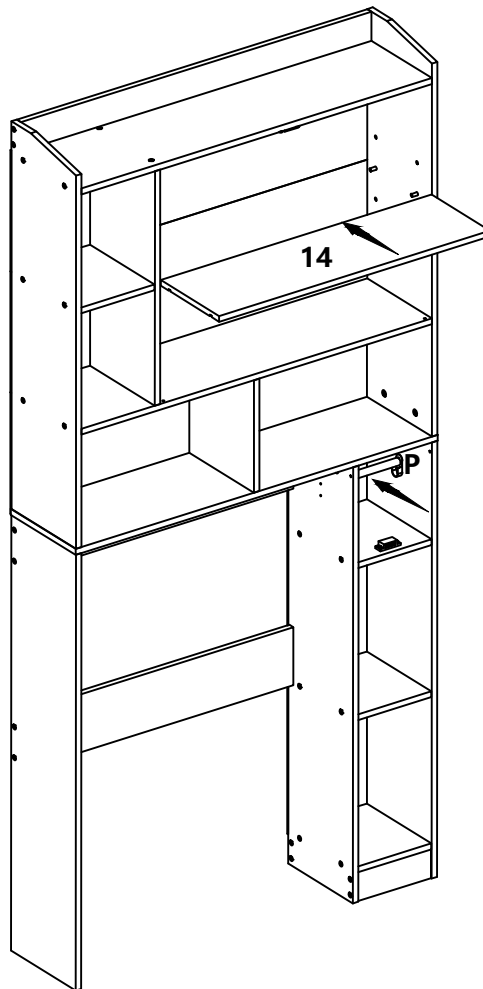


13

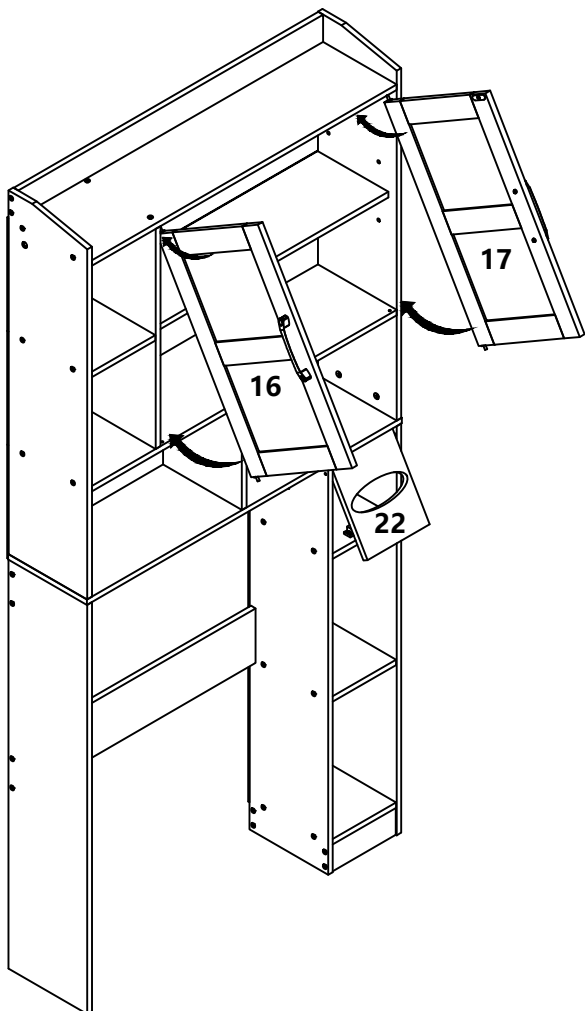


 Jx4

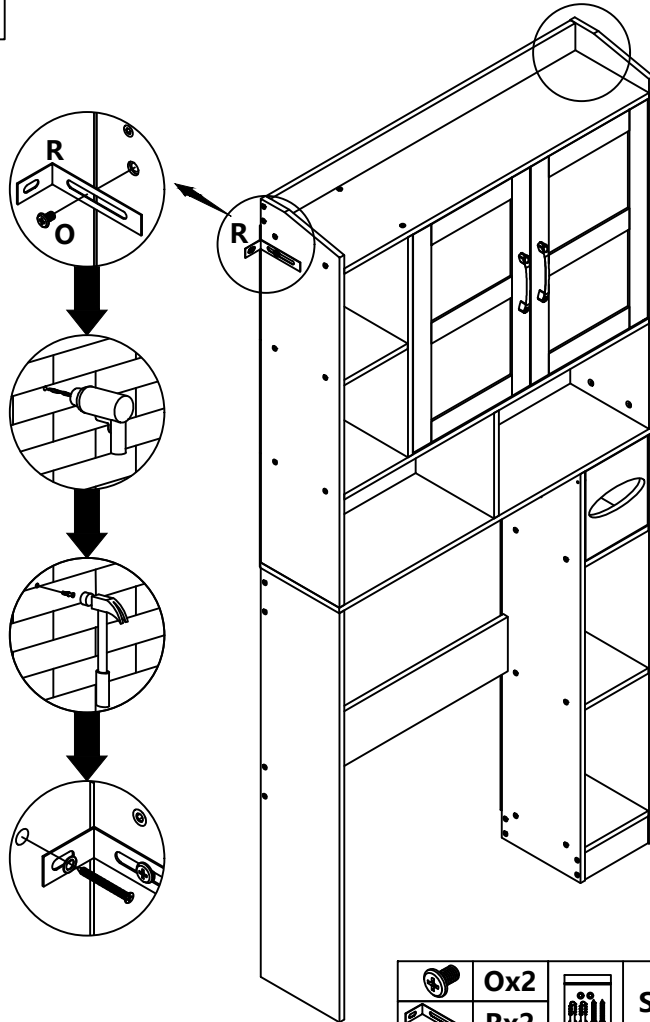
14





15

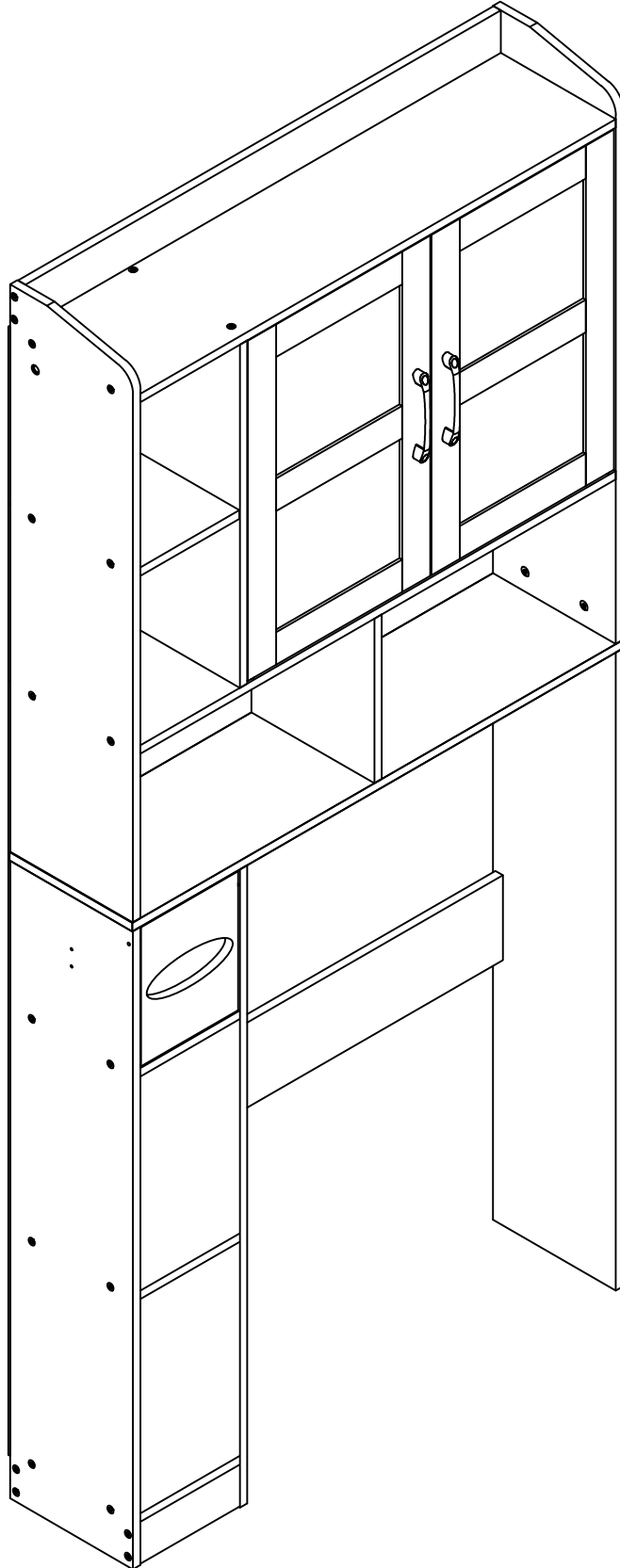


16



	Ox2		Sx1
	Rx2		

INSTRUCTION MANUAL



7

Assembly diagram 7 shows the installation of side panels 3, 4, and 5 onto a frame. Screws A, B, and C are used for attachment.

	Ax2
	Bx2
	Cx4

8

Assembly diagram 8 shows the installation of panels 1, 2, 3, 4, 5, 6, 7, 8, and 18. Screws A, B, and D are used for attachment.

	Ax6
	Bx6
	Dx2

9

Assembly diagram 9 shows the installation of panels 10, 11, and 12. Screws Nx33 are used for attachment.

	Nx33
--	------

10

Assembly diagram 10 shows the installation of panel 22. Screws M, E, and H are used for attachment.

	Ex2
	Mx2
	Hx1

11

Assembly diagram 11 shows the installation of panel 17. Screws M, E, G, K, L, and X are used for attachment.

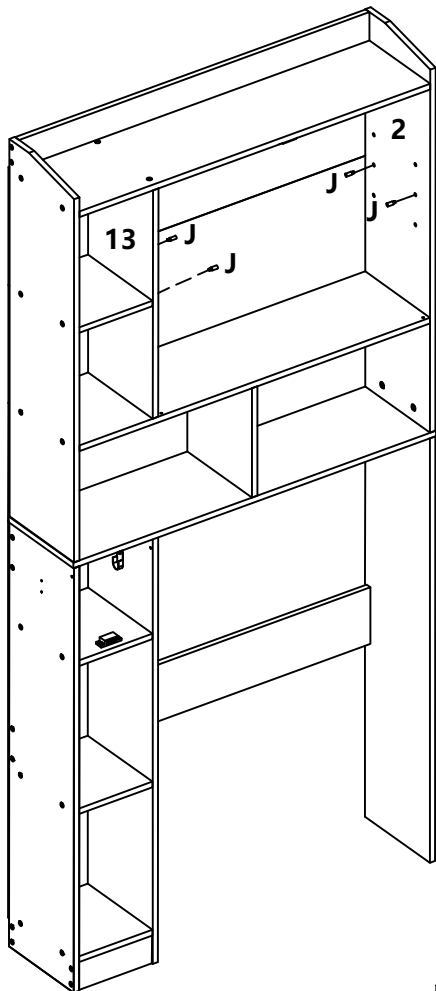
	Ex1
	Kx2
	Lx1
	Mx2
	Gx1

12

Assembly diagram 12 shows the installation of panel 16. Screws M, E, G, K, L, and X are used for attachment.

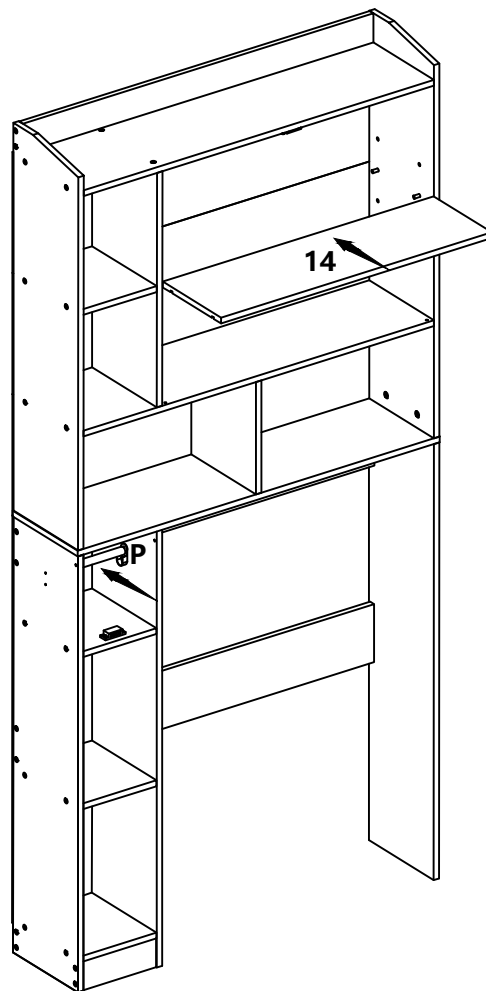
	Ex1
	Kx2
	Lx1
	Mx2
	Gx1

13

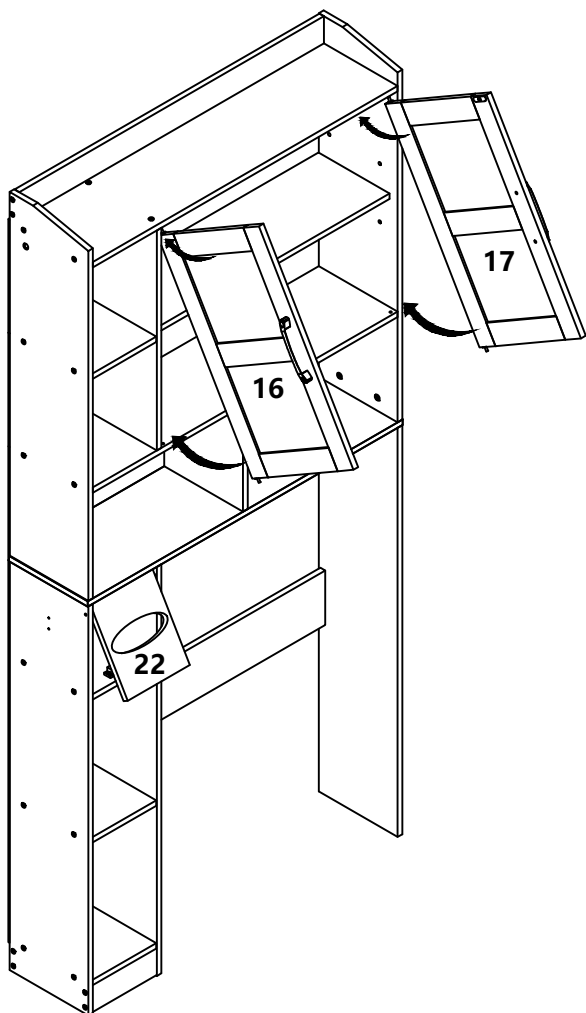


 Jx4

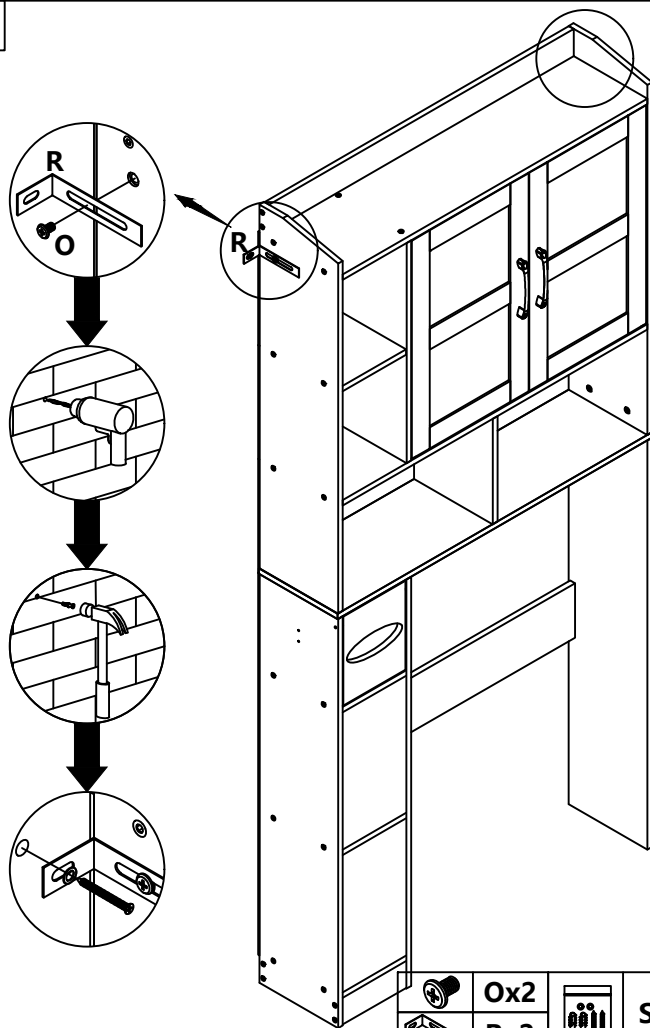
14






15



16



 Ox2
 Rx2
 Sx1