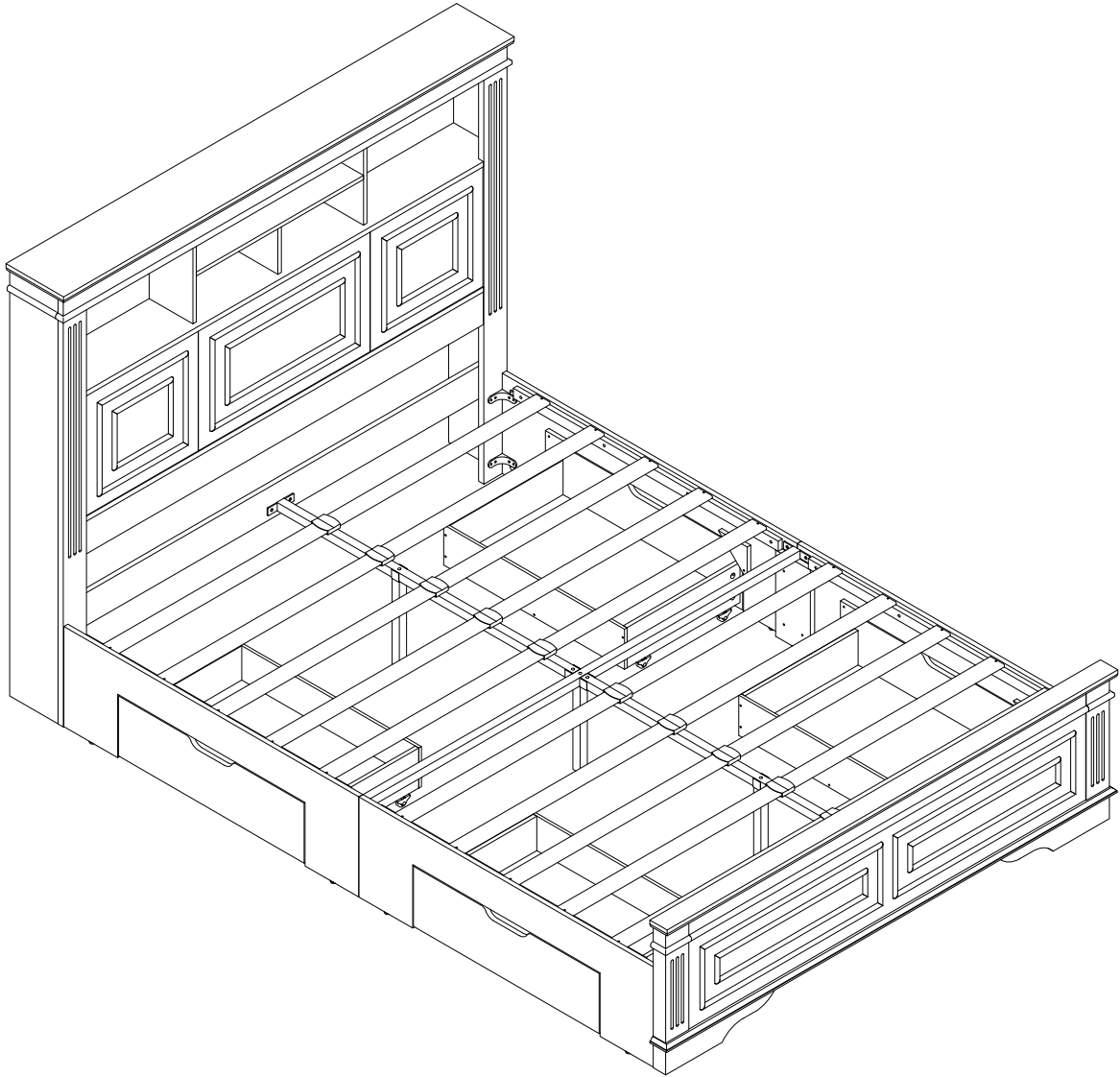


# ASSEMBLY INSTRUCTIONS

---



## ⚠ SAFETY TIPS:

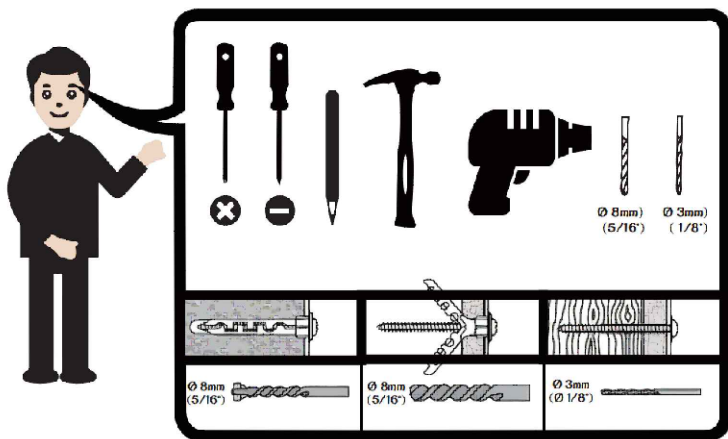
Static charge may cause dust on foam-clean with a dry or damp cloth.  
Small foam strands may be present-handle gently and dispose of properly.  
Do not burn or incinerate.  
Check local recycling guideline.

Have an assembly question or need a replacement part?  
Please contact with our customer service.

# Warnings

Important reminder:

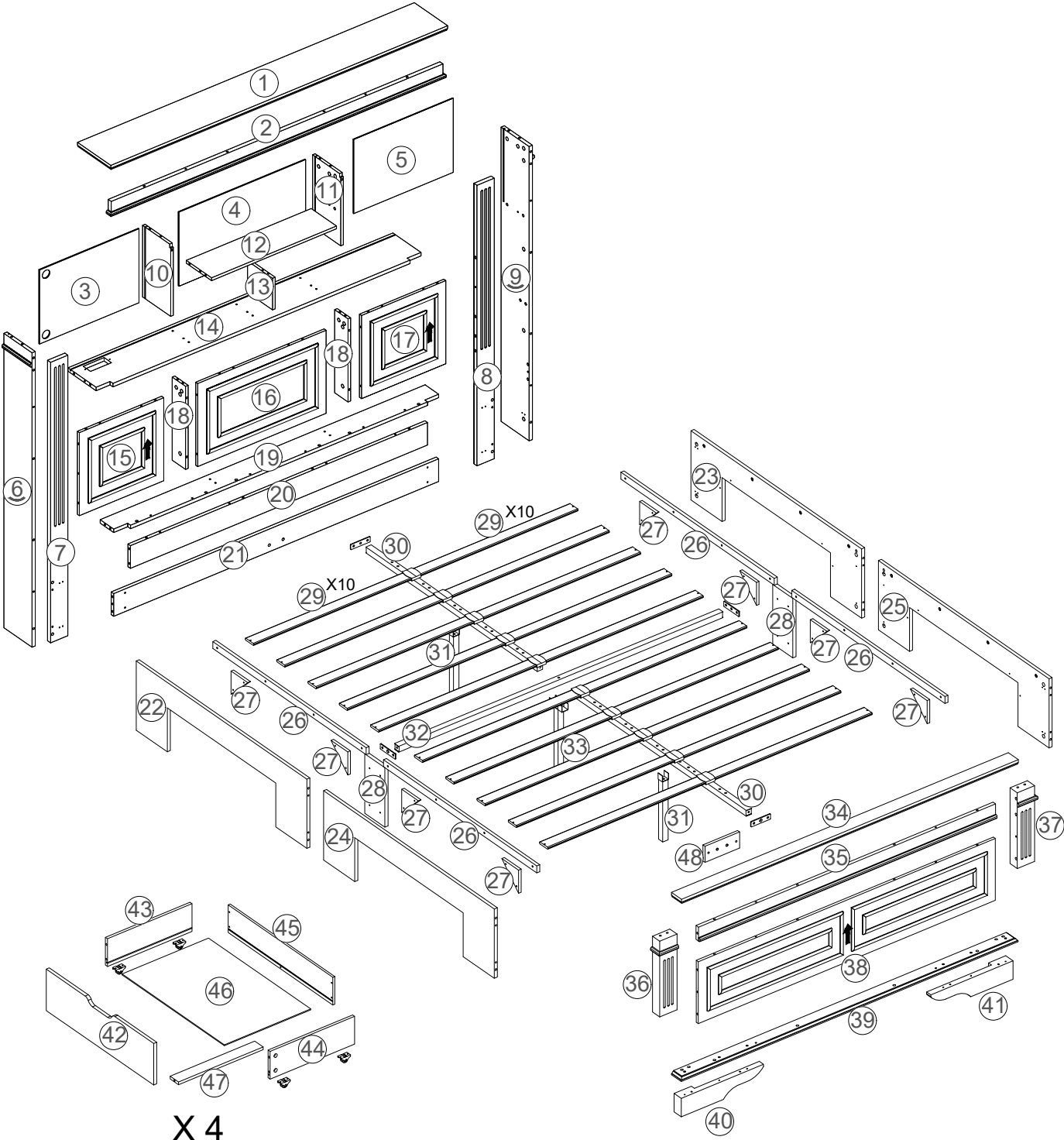
- ⚠ Please sort and check all accessories before assembly.
- ⚠ Place the product on an empty cardboard box or on carpet to prevent scratches.
- ⚠ Please use proper tools for assembly. Using an electric screwdriver can accelerate the assembly speed, but please do not overtighten the screws.
- ⚠ Please follow the assembly steps and do not skip any of them.
- ⚠ If possible, please find a partner to help you with assembly, which can accelerate assembly.
- ⚠ Keep all small parts of this product away from children. They may cause serious injury.
- ⚠ We hope you can retighten the screws 2 weeks after assembly, and check the tightening procedure of the screws every 3 months.  
If you meet any difficulty, our friendly customer team are always ready to help you.



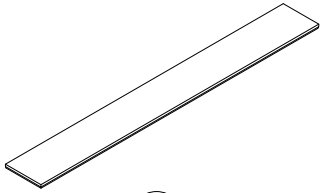
Warning: Overturning the product can cause serious crushing injuries. We have a wall connection device attached, please use it to hold the furniture following assembly instructions. Do not change the structure of this product in any way. Our products have been tested and meet any local sales specific security measures. We won't be responsible for any modifications, which may cause significant security risks.

<b>⚠ WARNING</b>	
<ul style="list-style-type: none"><li>• <b>INGESTION HAZARD:</b> This product contains a button cell or coin battery.</li><li>• <b>DEATH</b> or serious injury can occur if ingested.</li><li>• A swallowed button cell or coin battery can cause <b>Internal Chemical Burns</b> in as little as <b>2 hours</b>.</li><li>• <b>KEEP</b> new and used batteries <b>OUT OF REACH</b> of <b>CHILDREN</b></li><li>• <b>Seek immediate medical attention</b> if a battery is suspected to be swallowed or inserted inside any part of the body.</li></ul>	

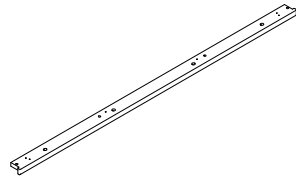
# Explosion Diagram



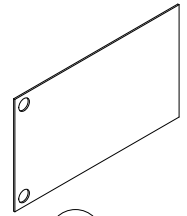
# Parts List



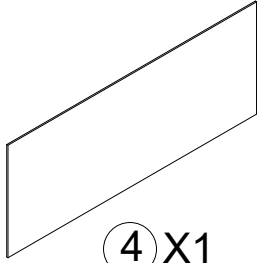
① X1



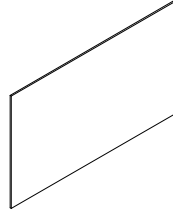
② X1



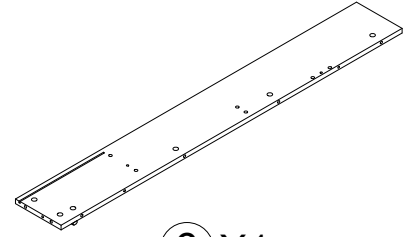
③ X1



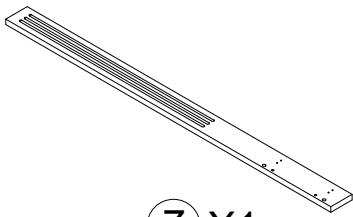
④ X1



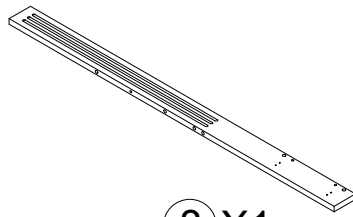
⑤ X1



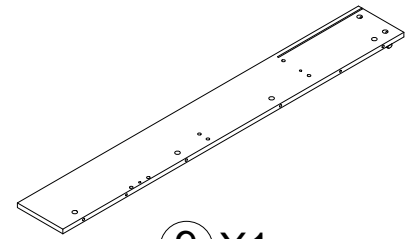
⑥ X1



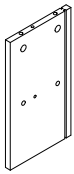
⑦ X1



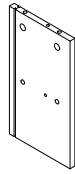
⑧ X1



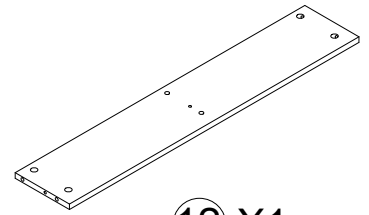
⑨ X1



⑩ X1



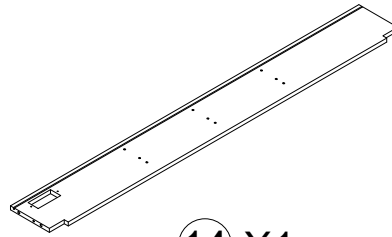
⑪ X1



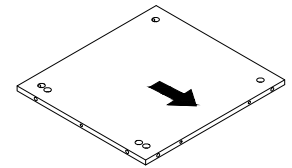
⑫ X1



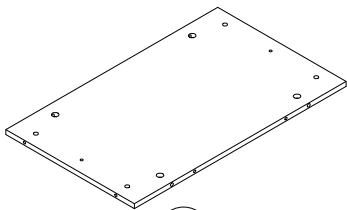
⑬ X1



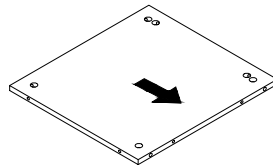
⑭ X1



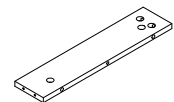
⑮ X1



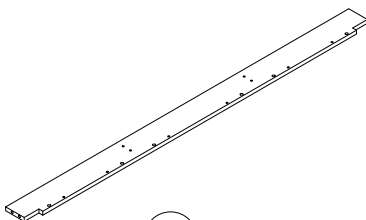
⑯ X1



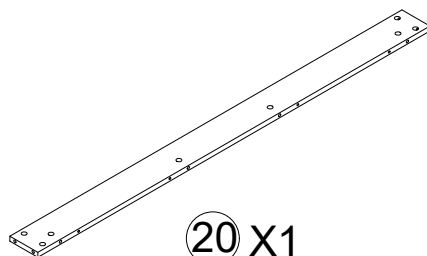
⑰ X1



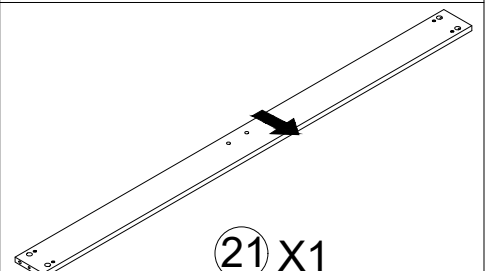
⑱ X2



⑲ X1

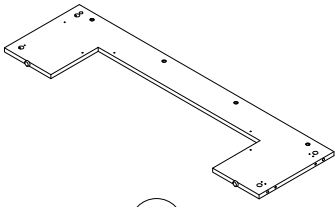


⑳ X1

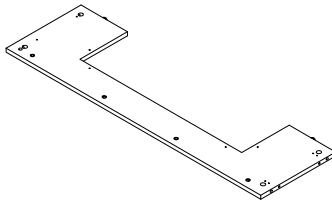


㉑ X1

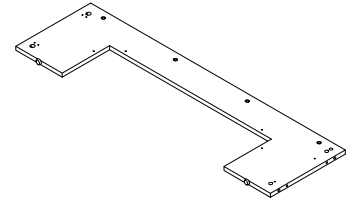
# Parts List



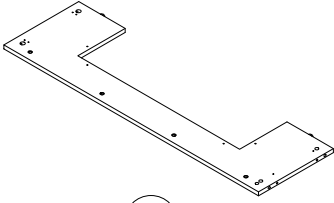
22 X1



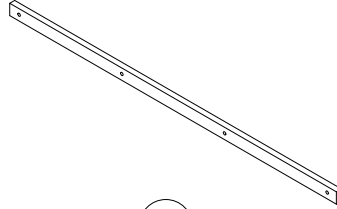
23 X1



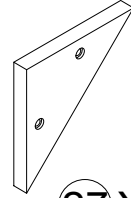
24 X1



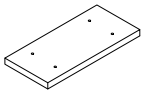
25 X1



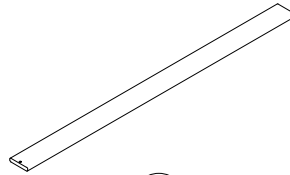
26 X4



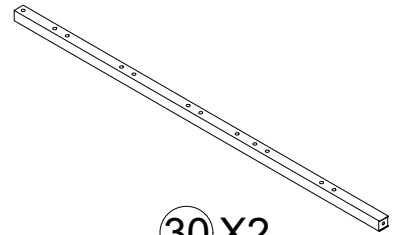
27 X8



28 X2



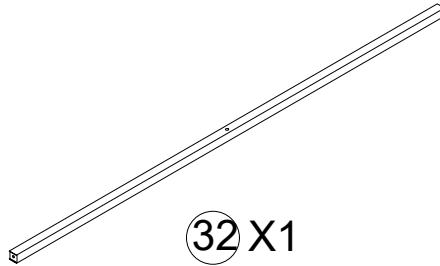
29 X20



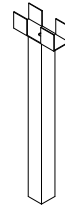
30 X2



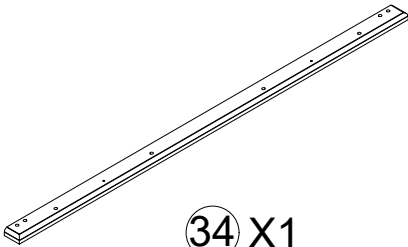
31 X2



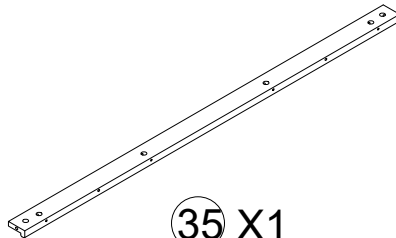
32 X1



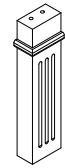
33 X1



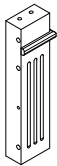
34 X1



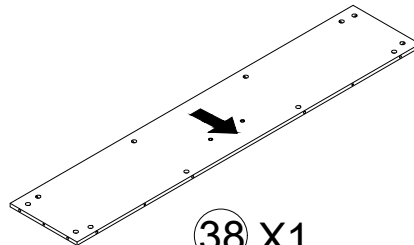
35 X1



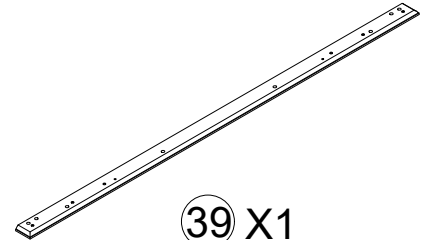
36 X1



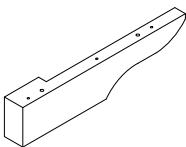
37 X1



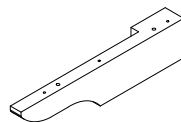
38 X1



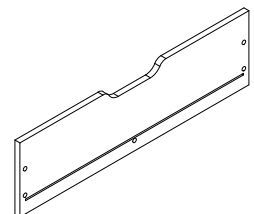
39 X1



40 X1

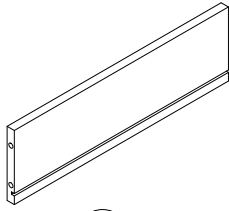


41 X1

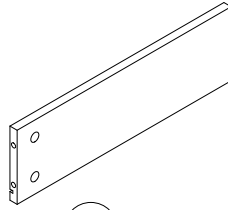


42 X4

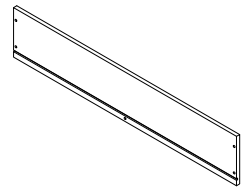
# Parts List



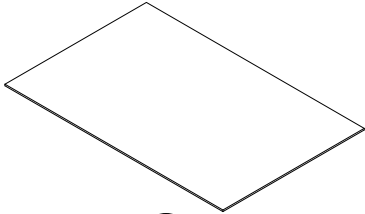
④③ X4



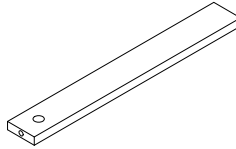
④④ X4



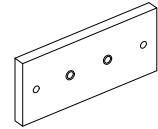
④⑤ X4



④⑥ X4



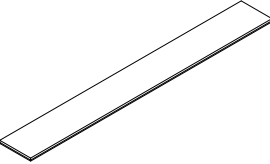
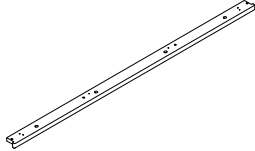
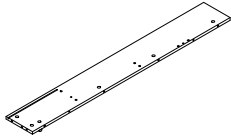
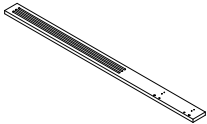
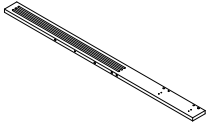
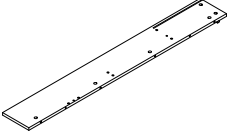
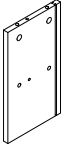
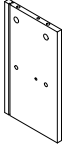
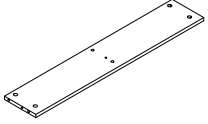
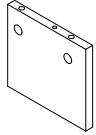
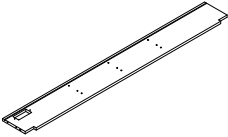
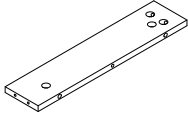
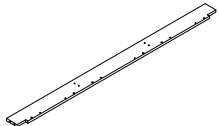
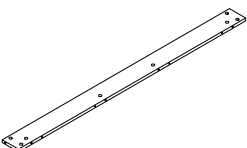
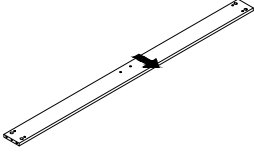
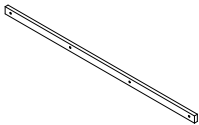
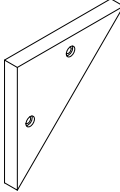
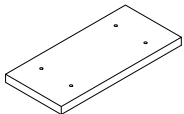
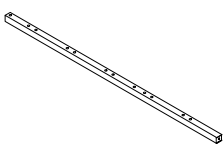

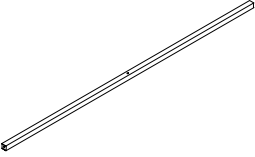
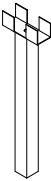
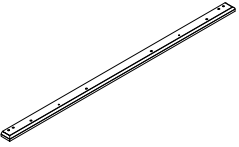
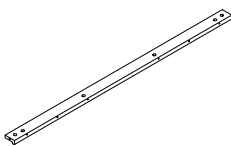
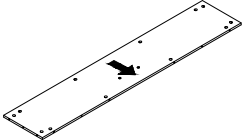
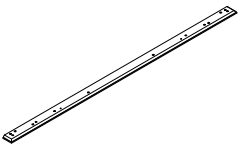
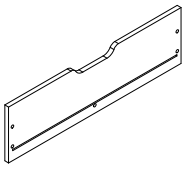
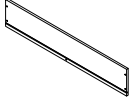
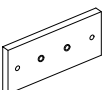
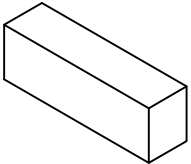
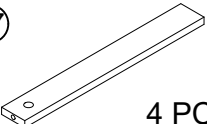
④⑦ X4



④⑧ X1

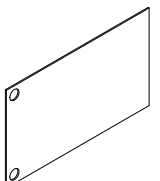
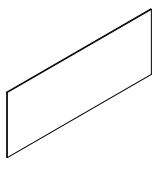
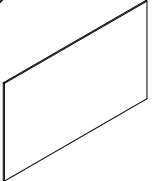
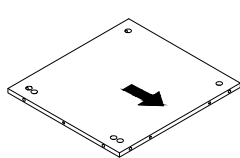
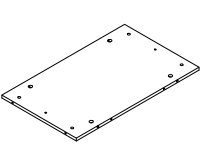
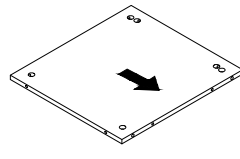
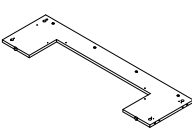
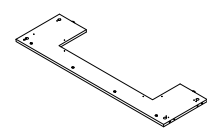
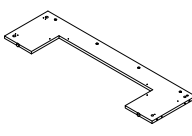
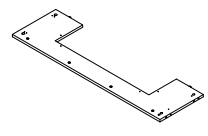
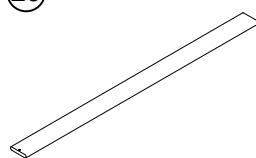
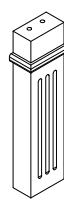
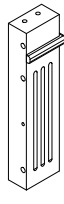
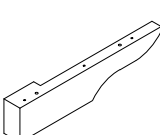
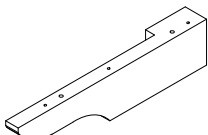
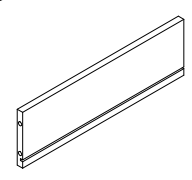
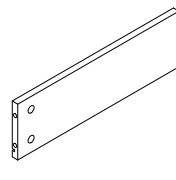
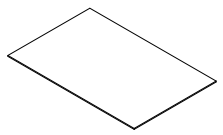
# Part List

## Hardware list:



①  1 PC	②  1 PC	⑥  1 PC	⑦  1 PC	⑧  1 PC
⑨  1 PC	⑩  1 PC	⑪  1 PC	⑫  1 PC	⑬  1 PC
⑭  1 PC	⑱  2 PCS	⑲  1 PC	⑳  1 PC	㉑  1 PC
㉒  4 PCS	㉓  8 PCS	㉔  2 PCS	㉕  2 PCS	㉖  2 PCS
㉗  1 PC	㉘  1 PC	㉙  1 PC	㉚  1 PC	㉛  1 PC
㉜  1 PC	㉝  4 PCS	㉞  4 PCS	④⑧  1 PC	Hardware  1 PC
	④⑦  4 PCS			

# Part List

## Hardware list:


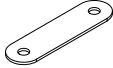

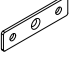


 1 PC	 1 PC	 1 PC	 1 PC	 1 PC
 1 PC	 1 PC	 1 PC	 1 PC	 1 PC
 20 PCS	 1 PC	 1 PC	 1 PC	 1 PC
 4 PCS	 4 PCS	 4 PCS		

## Hardware List

No.	Code	Diagram	Description	Quantity	Spare
1	<b>A</b>		Ø6 x 40 mm	128pcs	8
2	<b>B</b>		Ø15 x 10 mm	132pcs	8
3	<b>C</b>		Ø6 x 60 mm	4pcs	
4	<b>D</b>		M6 x 10mm	4pcs	
5	<b>E</b>		Ø6 x 30 mm	66pcs	6
6	<b>F</b>		Ø4 x 30mm	20pcs	2
7	<b>G</b>		Ø4 x 20mm	48pcs	6
8	<b>H</b>		Ø3 x 16mm	18pcs	2
9	<b>I</b>			14pcs	1
10	<b>J</b>		Ø3.5 x 14mm	78pcs	8
11	<b>K</b>		M5 x 40mm	16pcs	1
12	<b>L</b>			1pc	
13	<b>M</b>		M6 x 12mm	12PCS	
14	<b>N</b>		M6 x 20mm	18PCS	2
15	<b>O</b>		M6 x 35mm	5PCS	
16	<b>P</b>			10pcs	1
17	<b>Q</b>			10pcs	
18	<b>R</b>			16pcs	
19	<b>S</b>			5pcs	
20	<b>T</b>			1set	

THE SPARE BAG INCLUDED EXTRA HARDWARE FOR DAMAGED OR MISSING SMALL HARDWARE WHILE YOU ARE ASSEMBLING

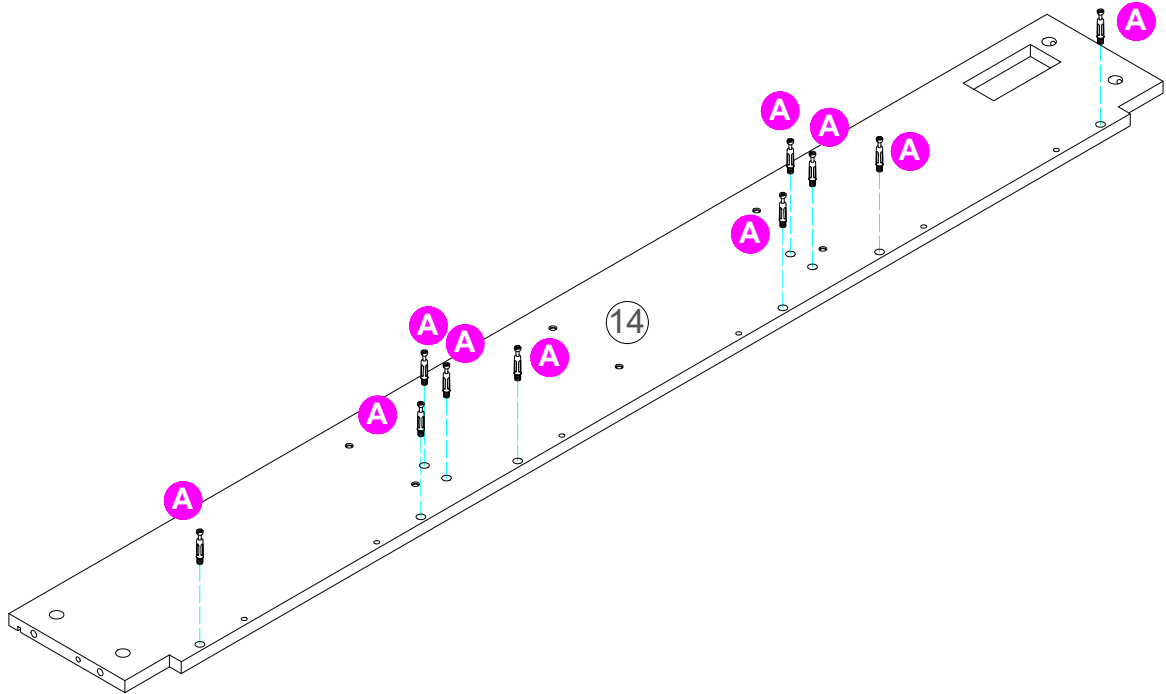
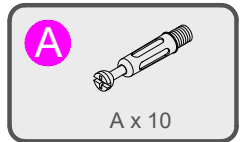
## Hardware List

No.	Code	Diagram	Description	Quantity	Spare
21	<b>U</b>		Ø20 mm	100pcs	6
22	<b>V</b>			2pcs	
23	<b>W</b>			2pcs	
24	<b>X</b>			4pcs	
25	<b>Y</b>		M6 x 25mm	4PCS	
26				1pc	

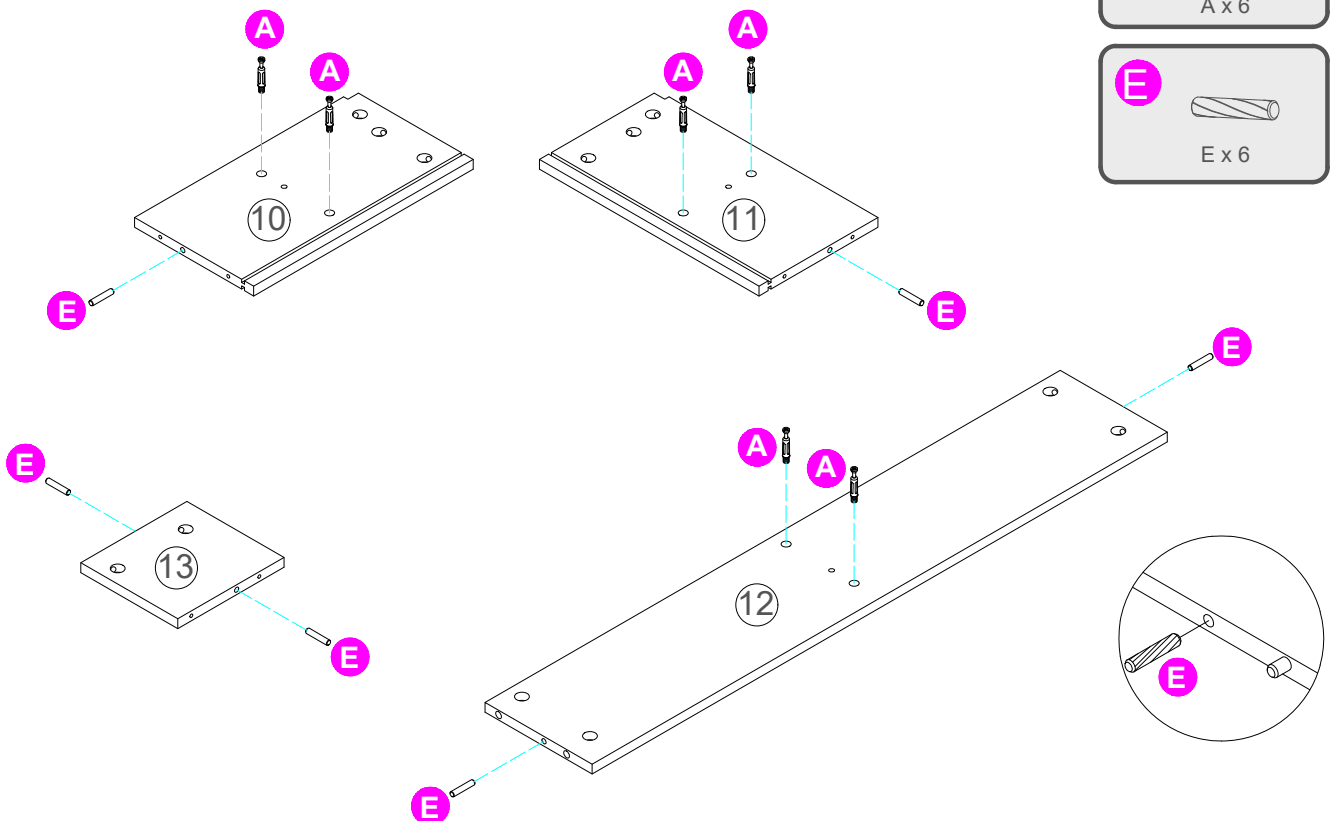
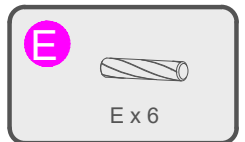
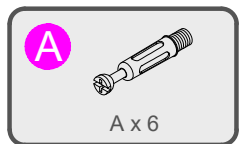
THE SPARE BAG INCLUDED EXTRA HARDWARE FOR DAMAGED OR MISSING SMALL HARDWARE WHILE YOU ARE ASSEMBLING

# Assembly Instructions

## Step 1

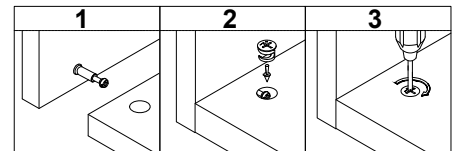
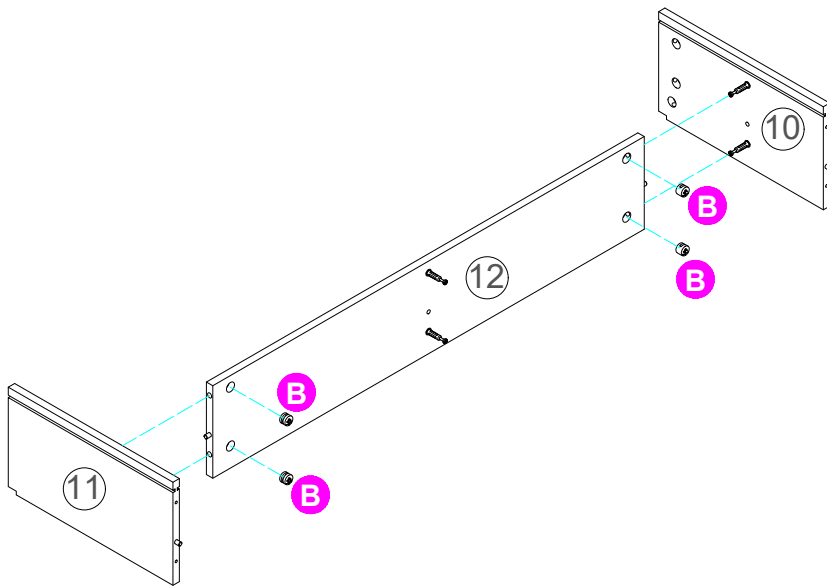
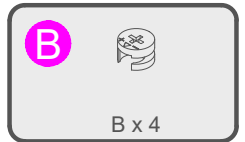


## Step 2

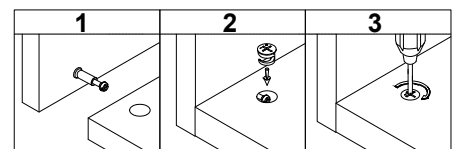
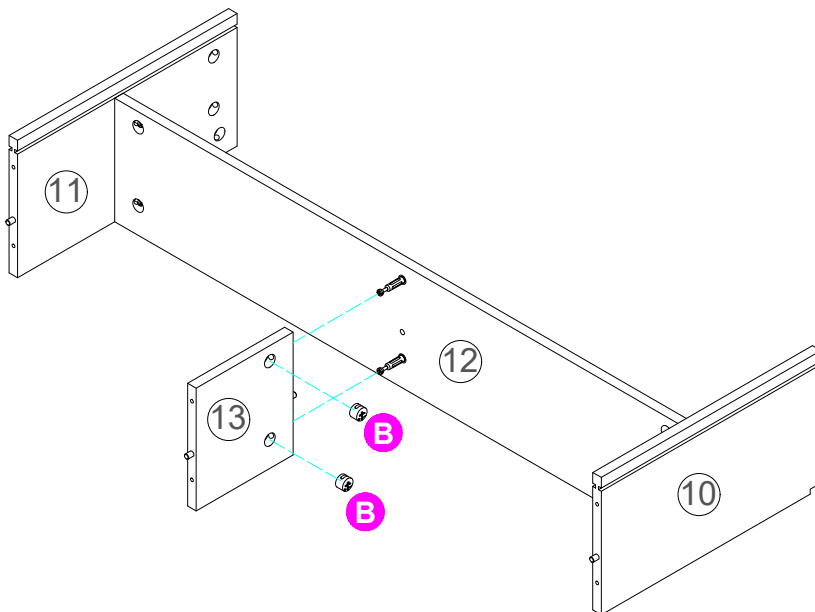
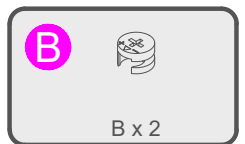


# Assembly Instructions

## Step 3

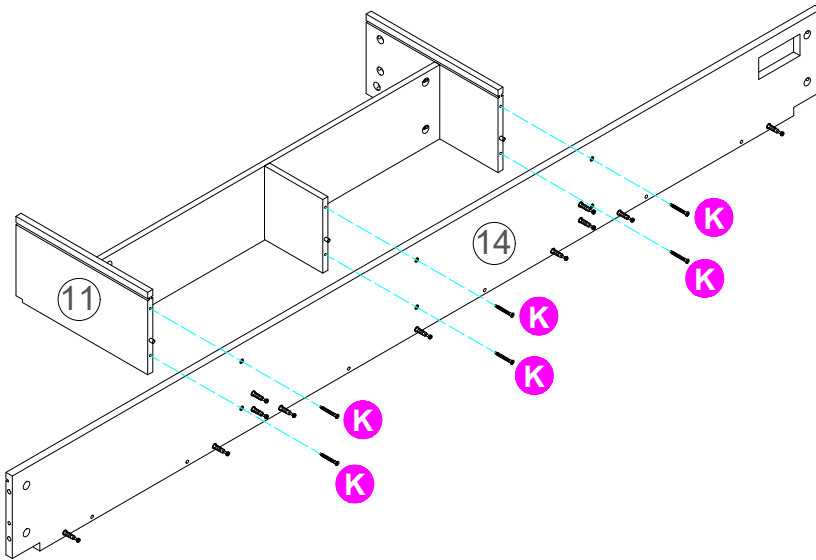
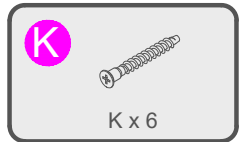


## Step 4

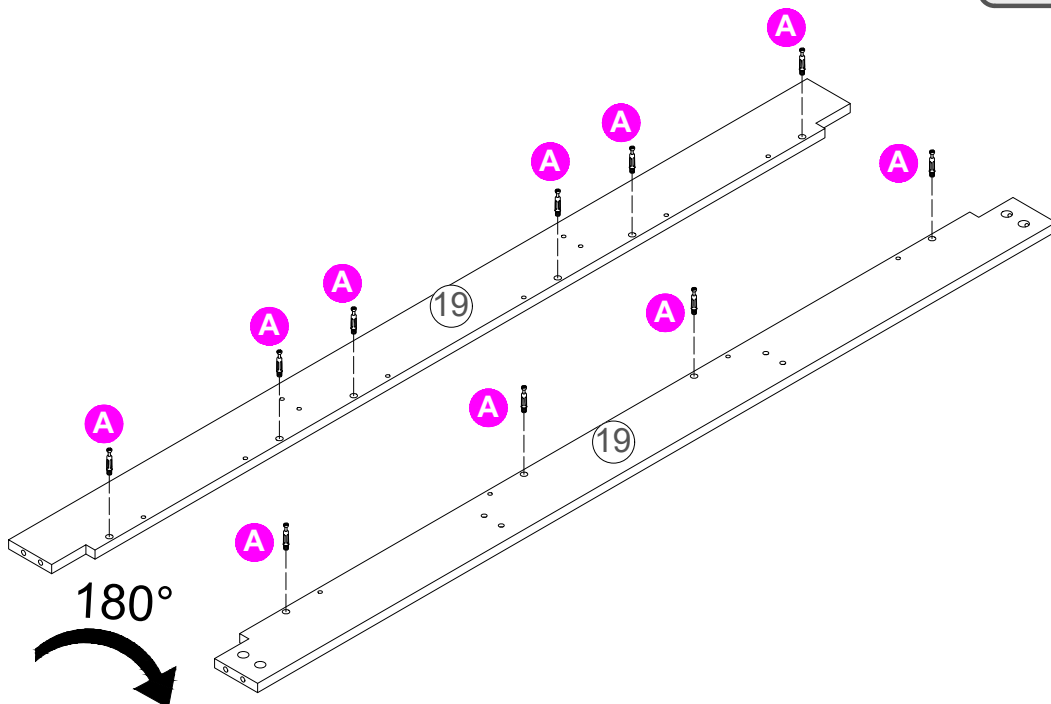
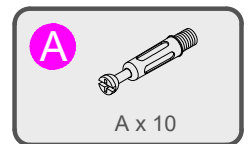


# Assembly Instructions

## Step 5

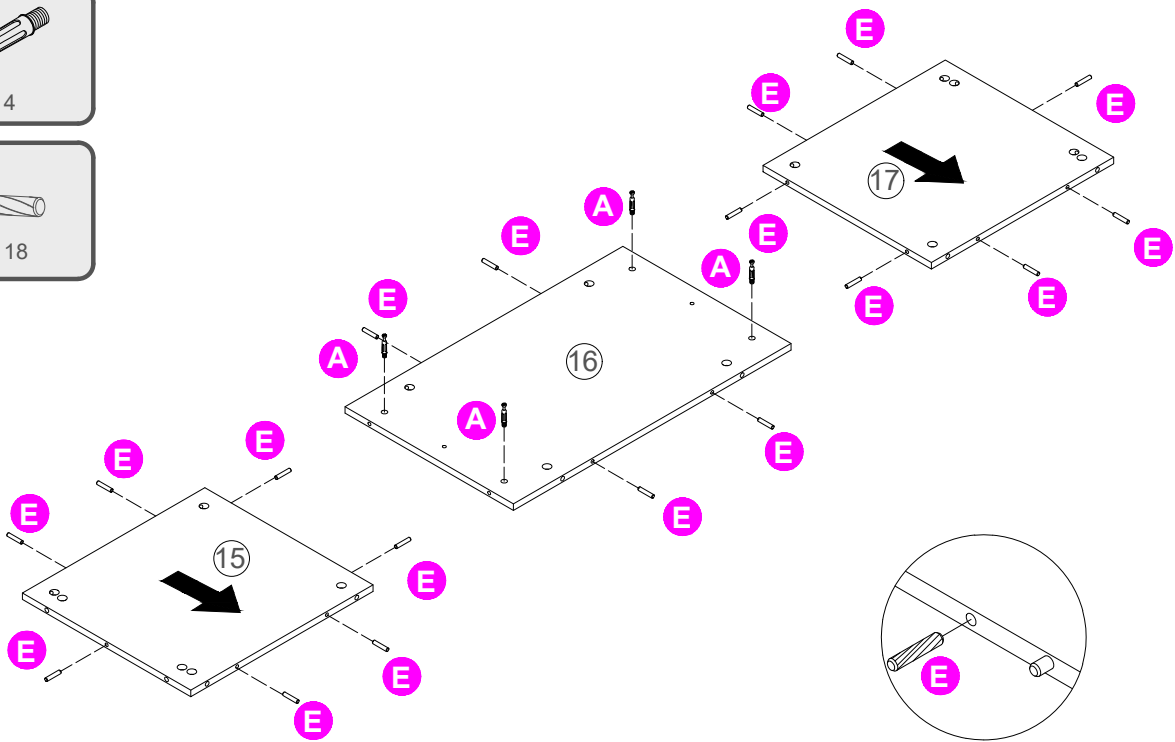
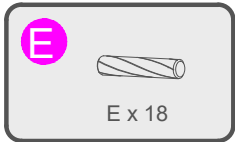
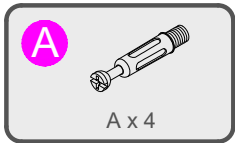


## Step 6

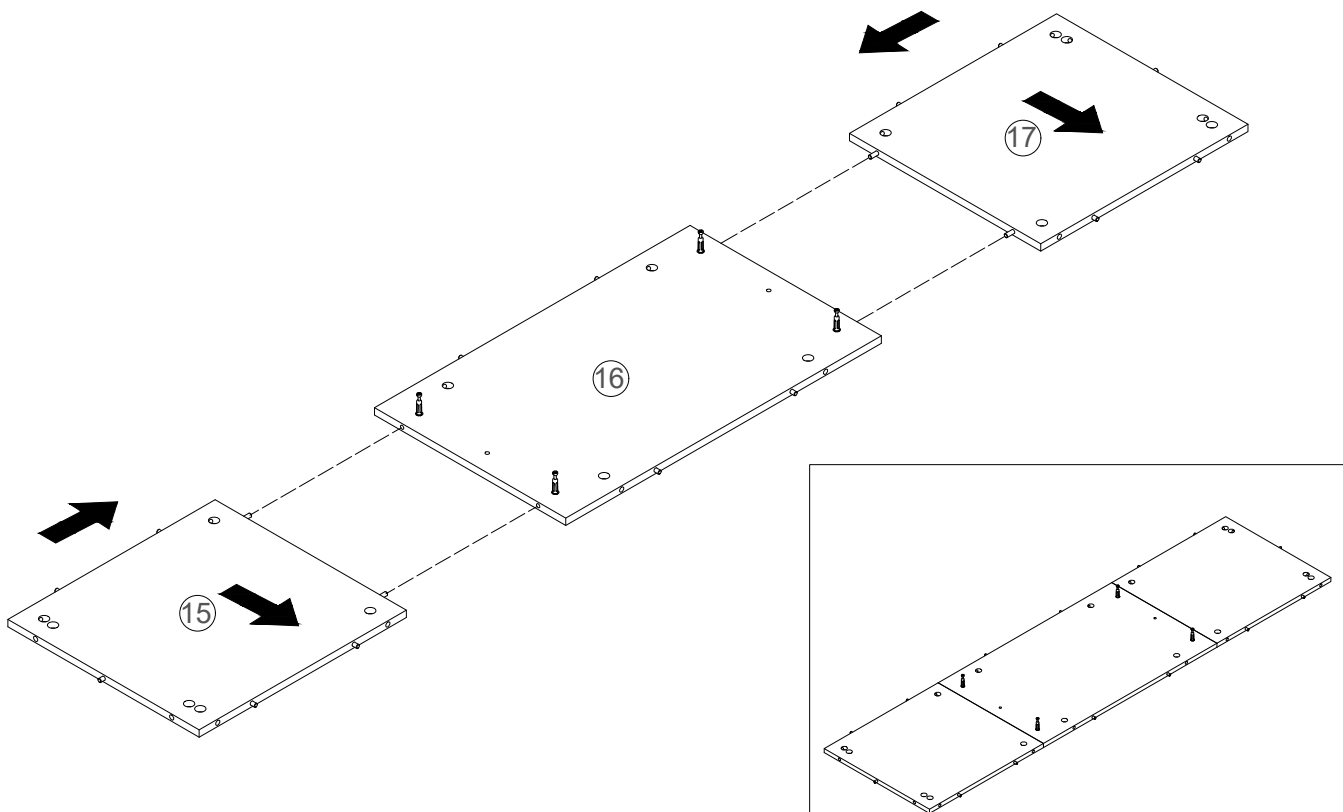


# Assembly Instructions

## Step 7

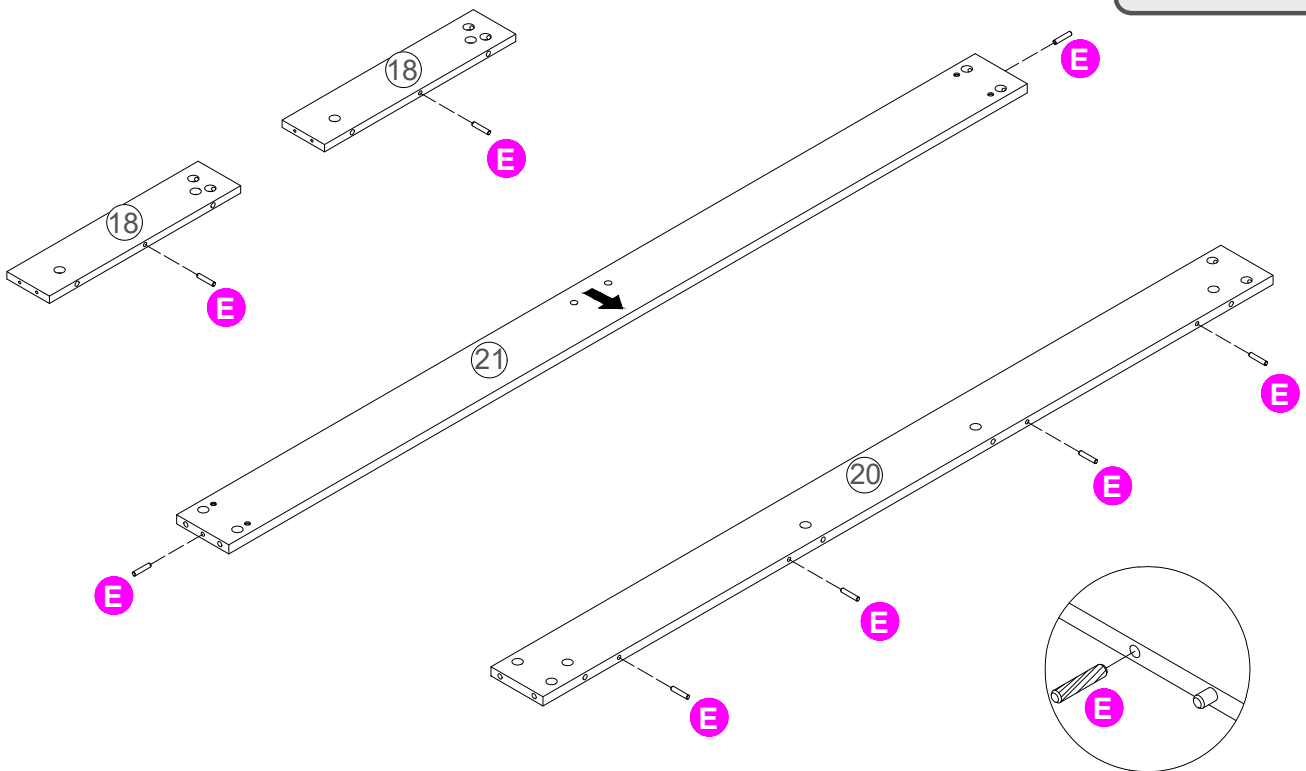
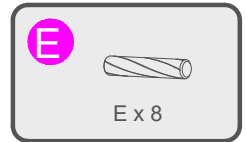


## Step 8

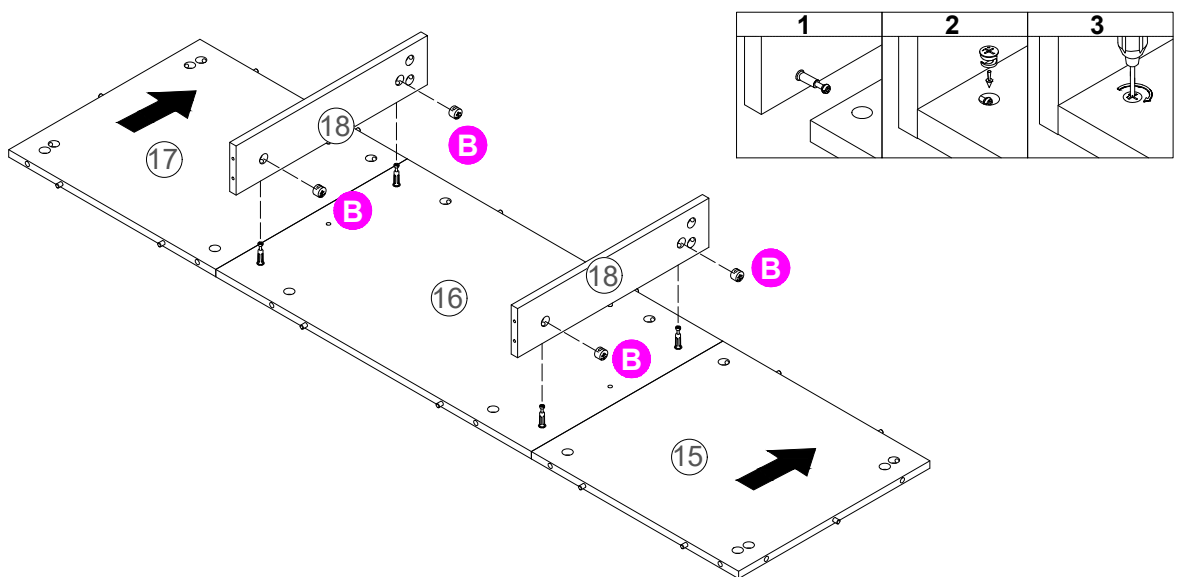
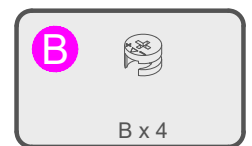


# Assembly Instructions

## Step 9

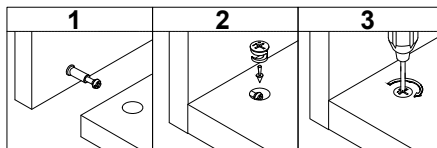


## Step 10



# Assembly Instructions

## Step 11



**B**

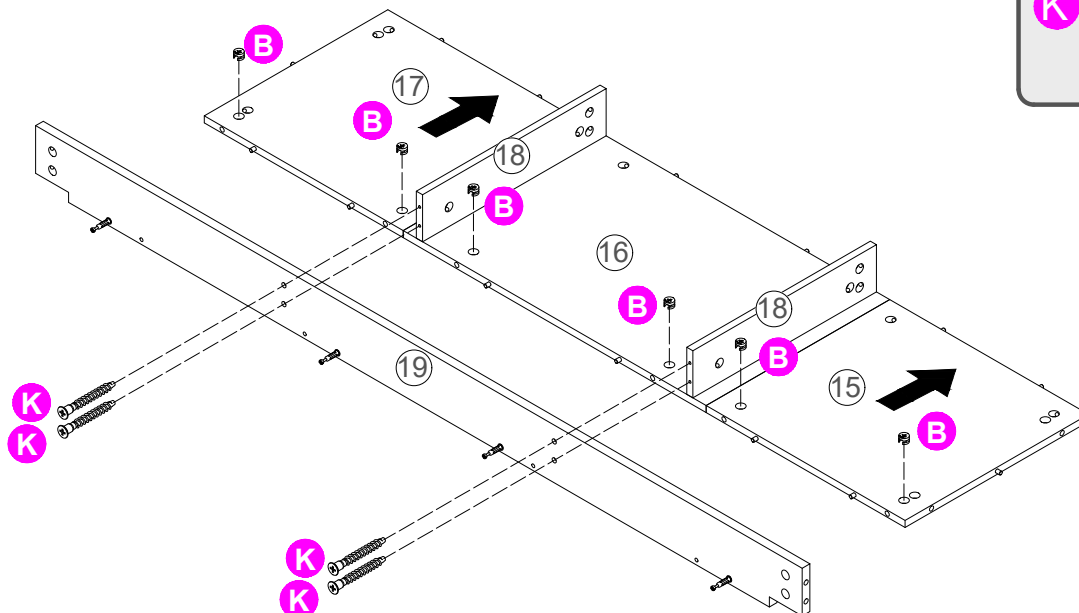


B x 6

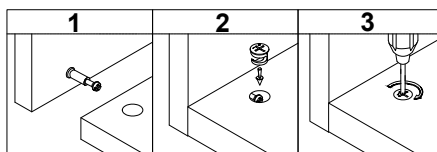
**K**



K x 4



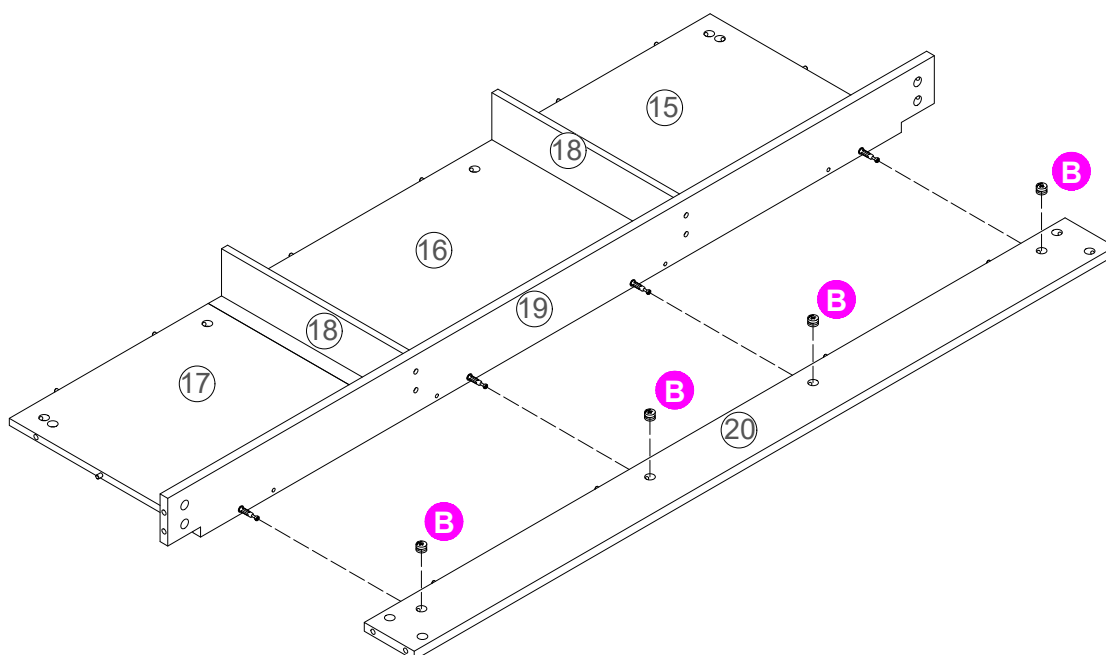
## Step 12



**B**

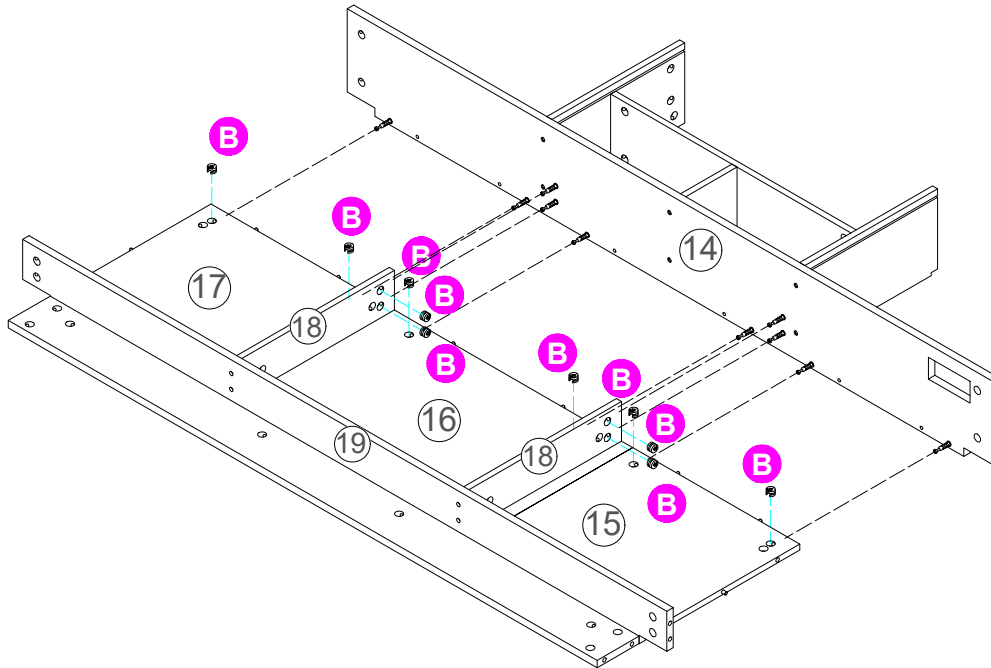
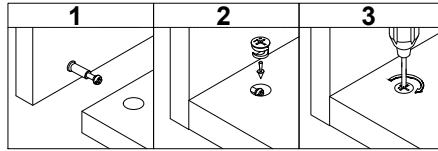


B x 4

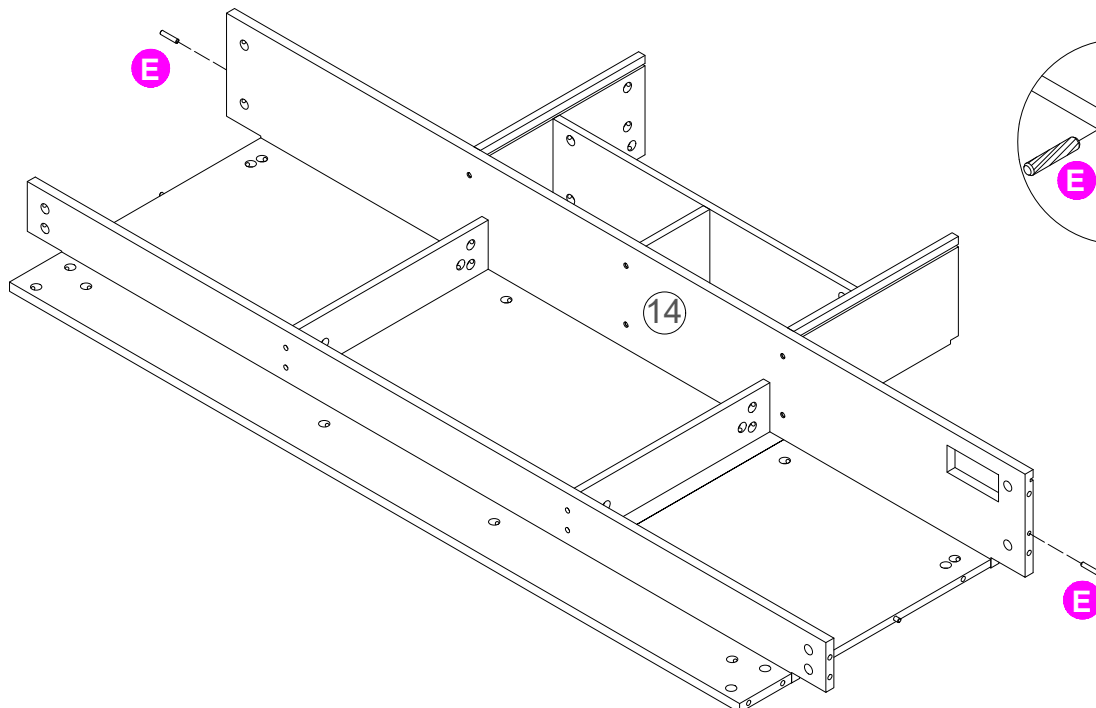
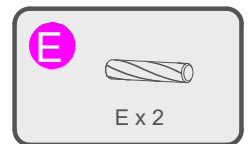


# Assembly Instructions

## Step 13

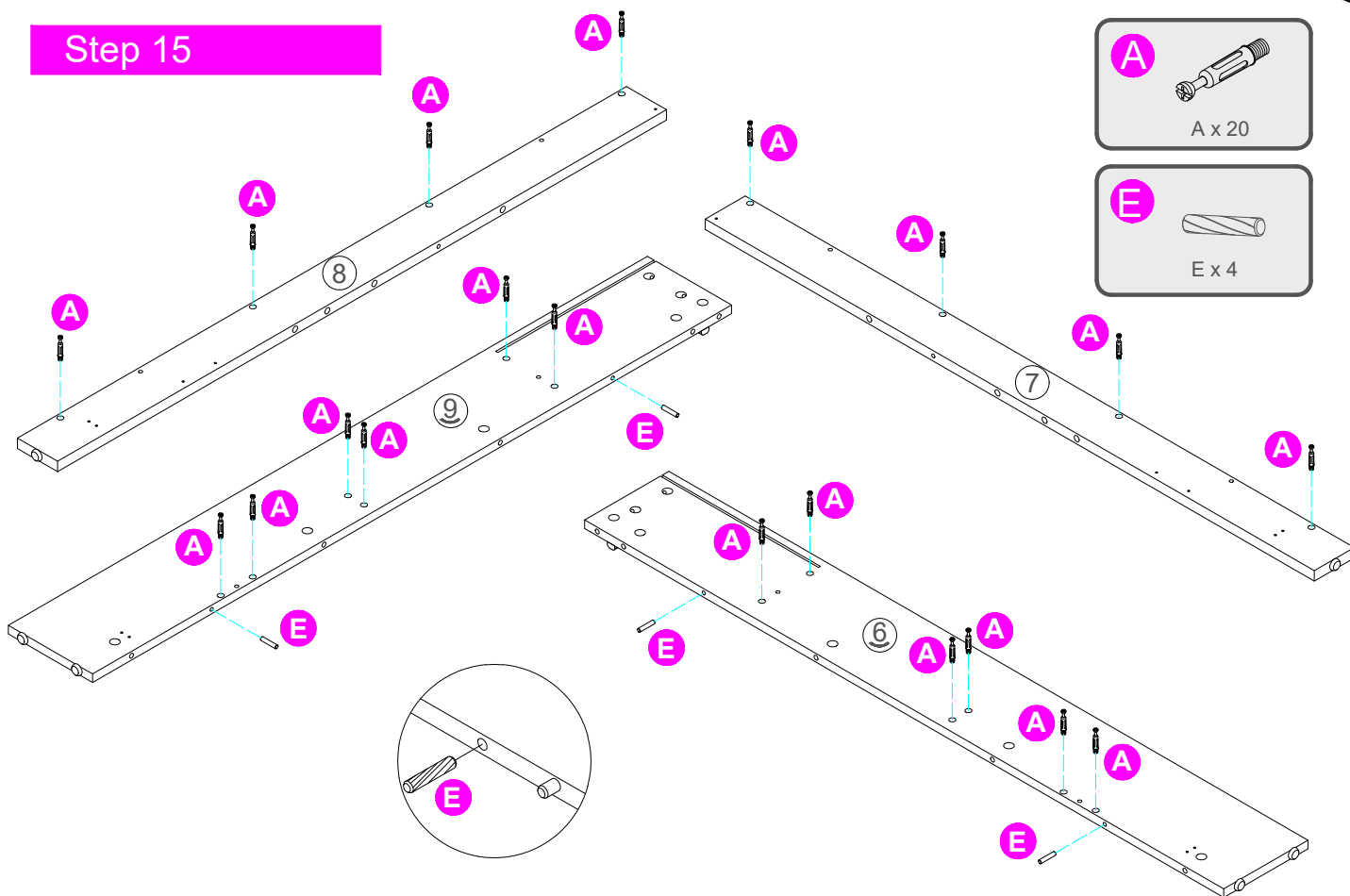


## Step 14

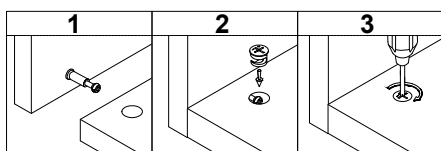
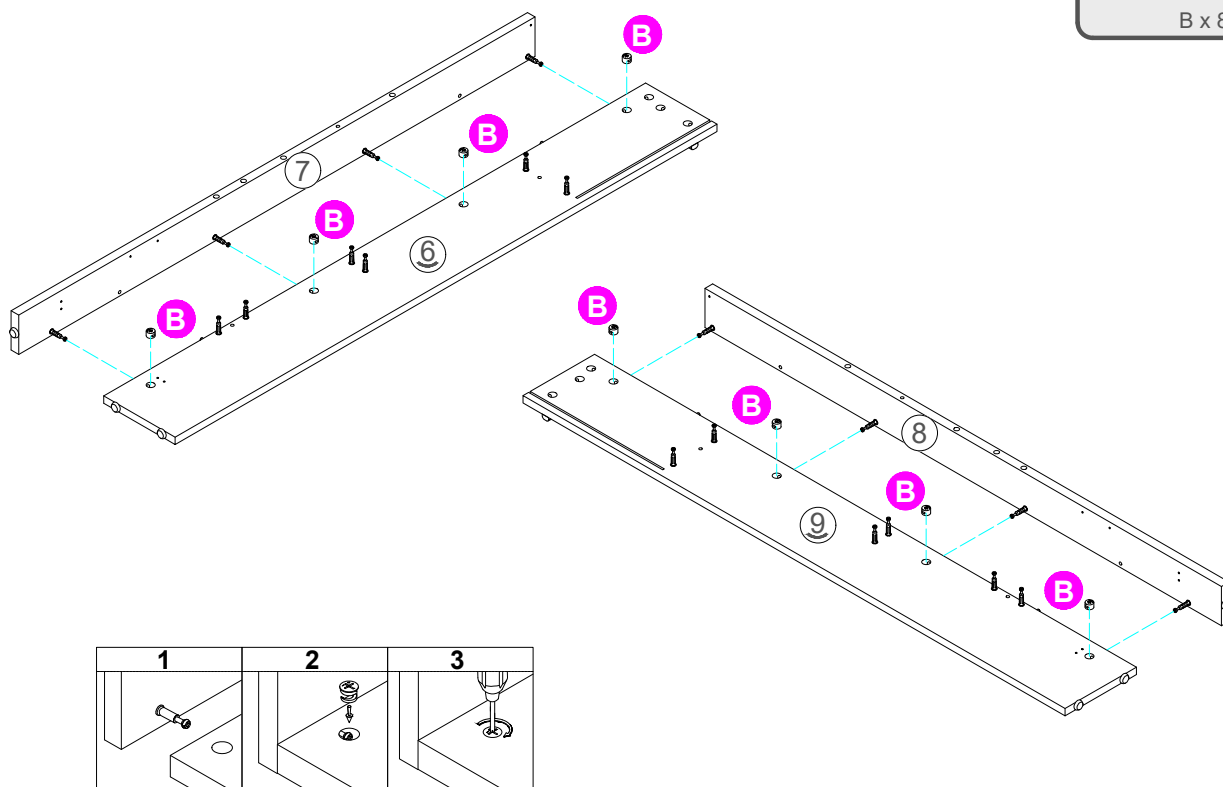


# Assembly Instructions

## Step 15

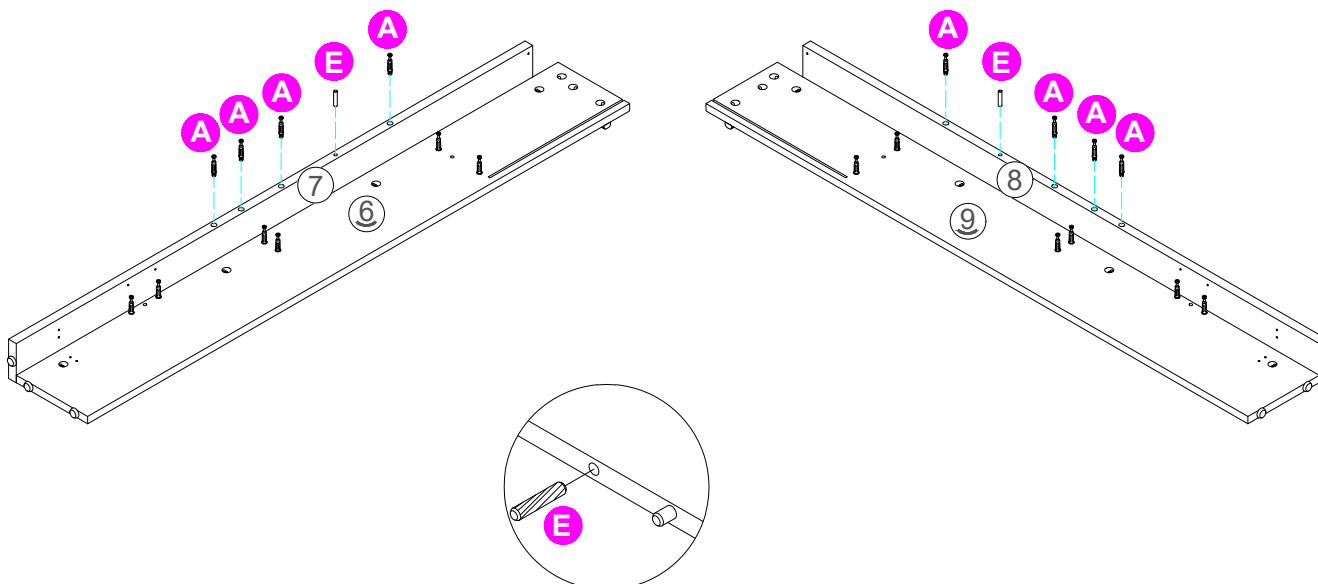
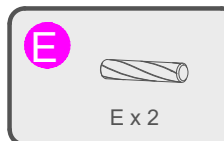
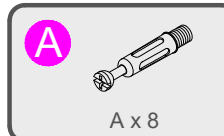


## Step 16

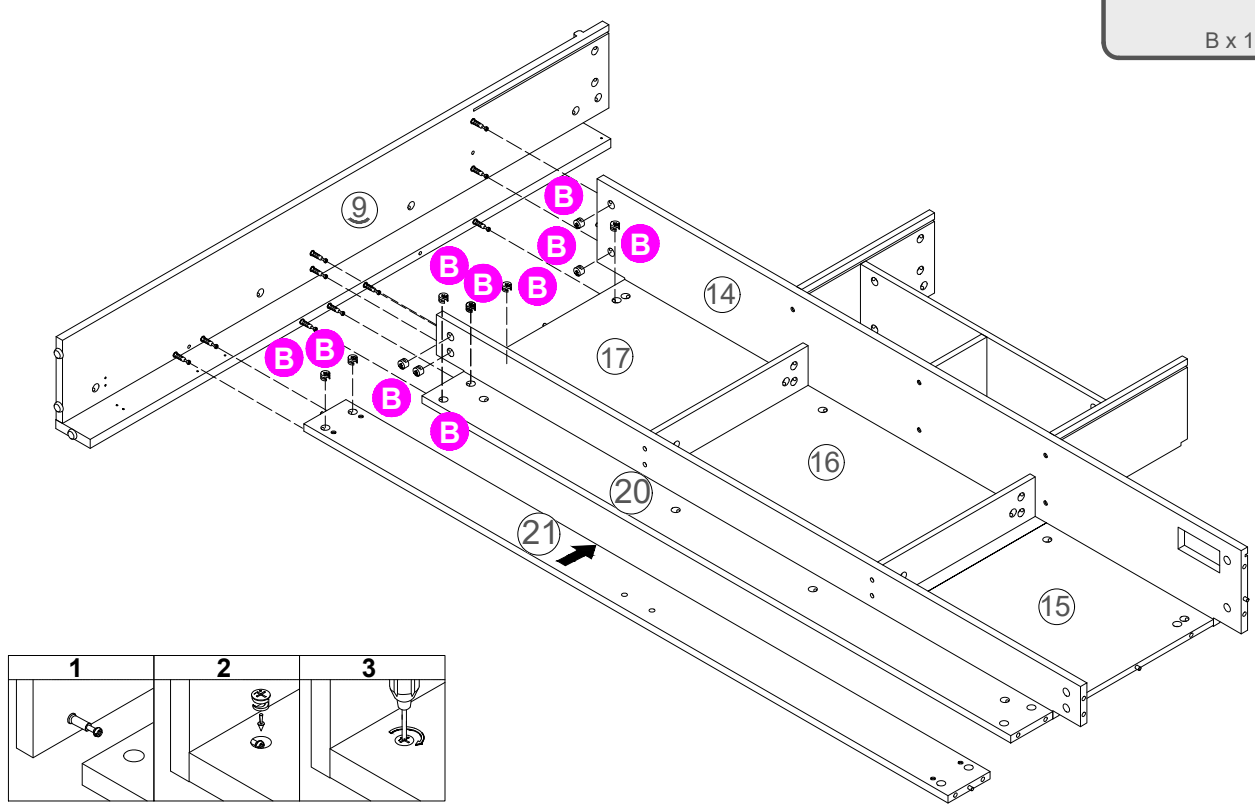
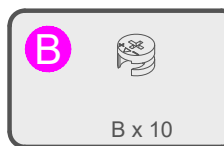


# Assembly Instructions

## Step 17

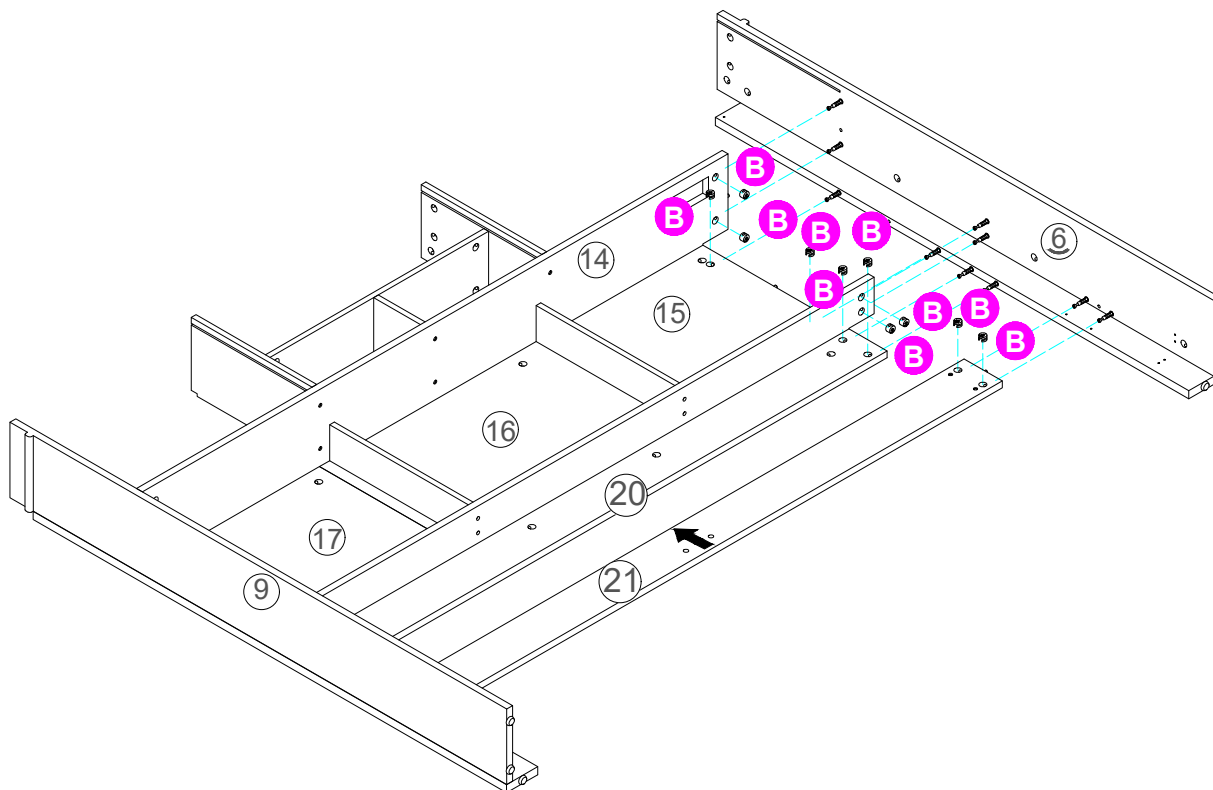
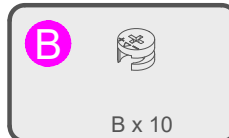
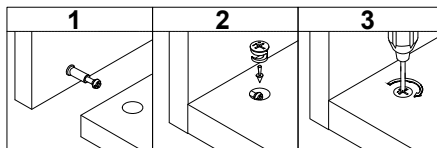


## Step 18

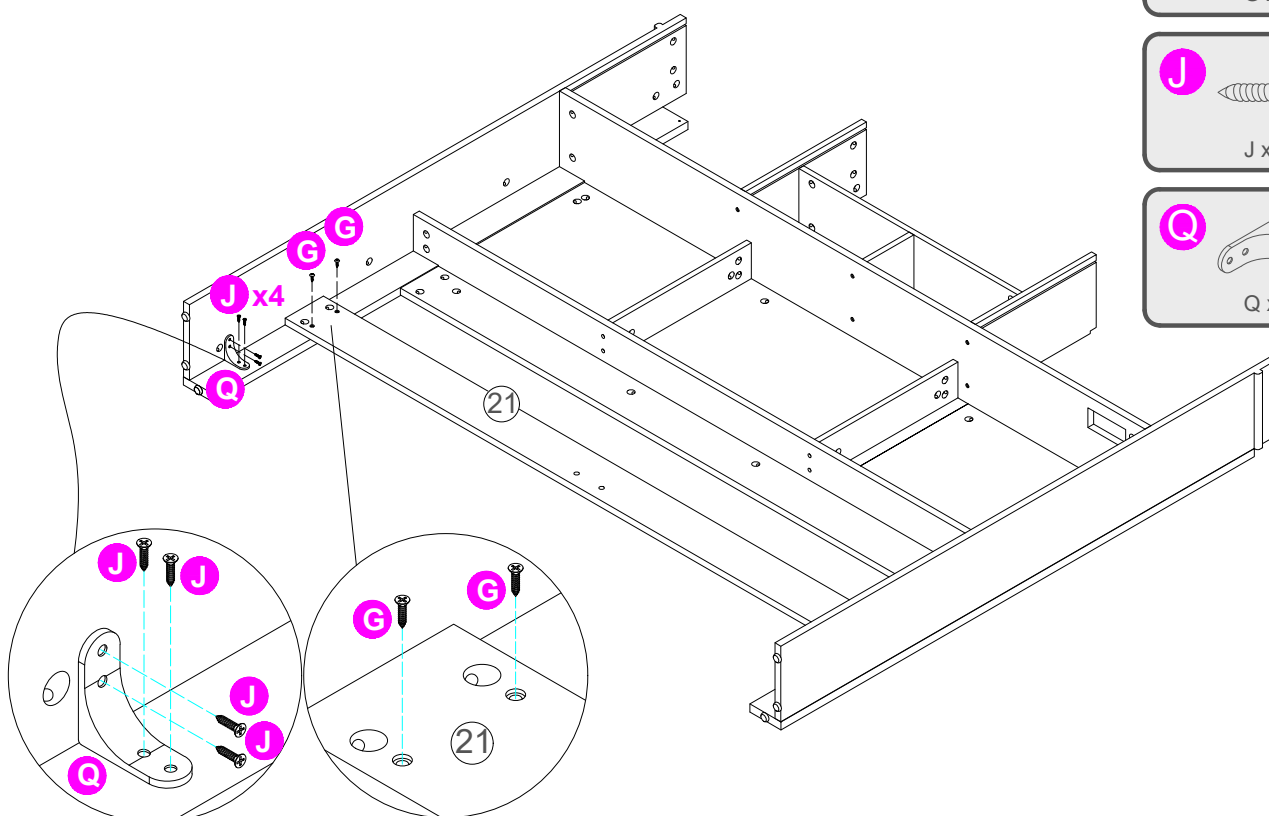
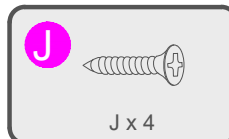


# Assembly Instructions

## Step 19



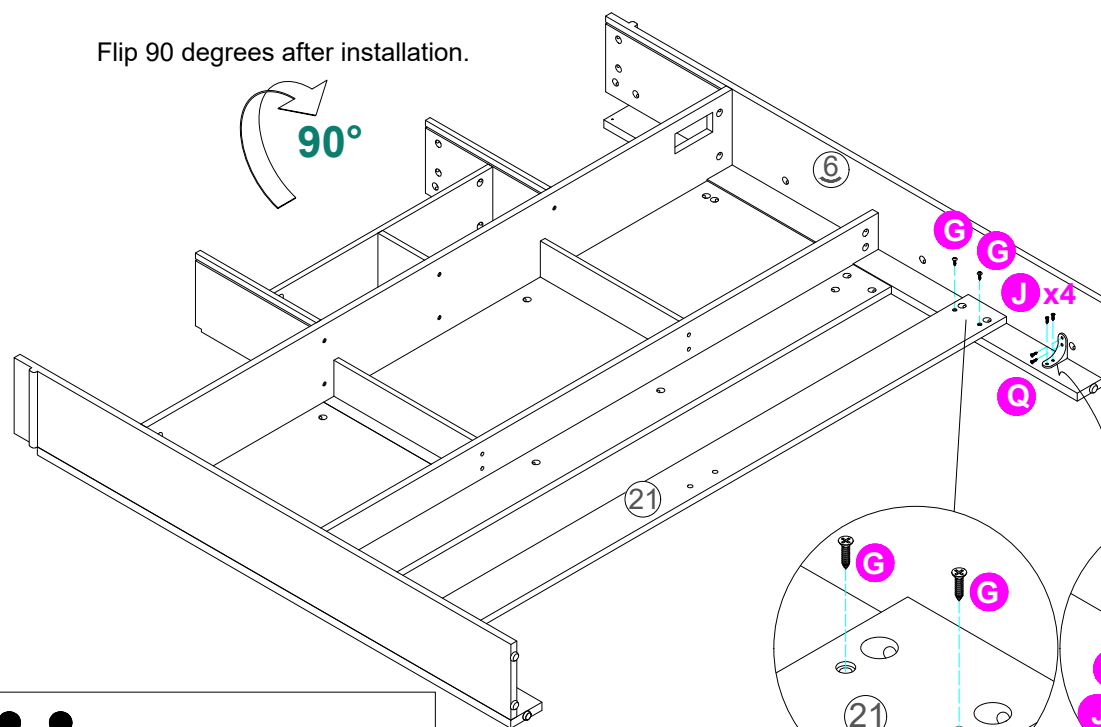
## Step 20



# Assembly Instructions

## Step 21

Flip 90 degrees after installation.



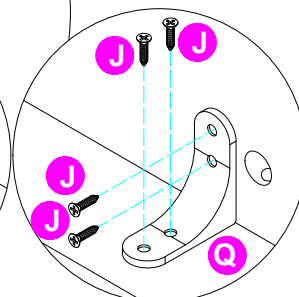
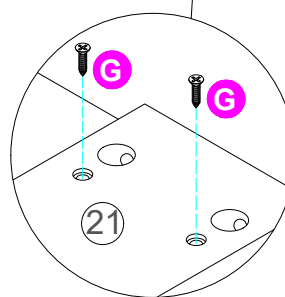
G x 2



J x 4

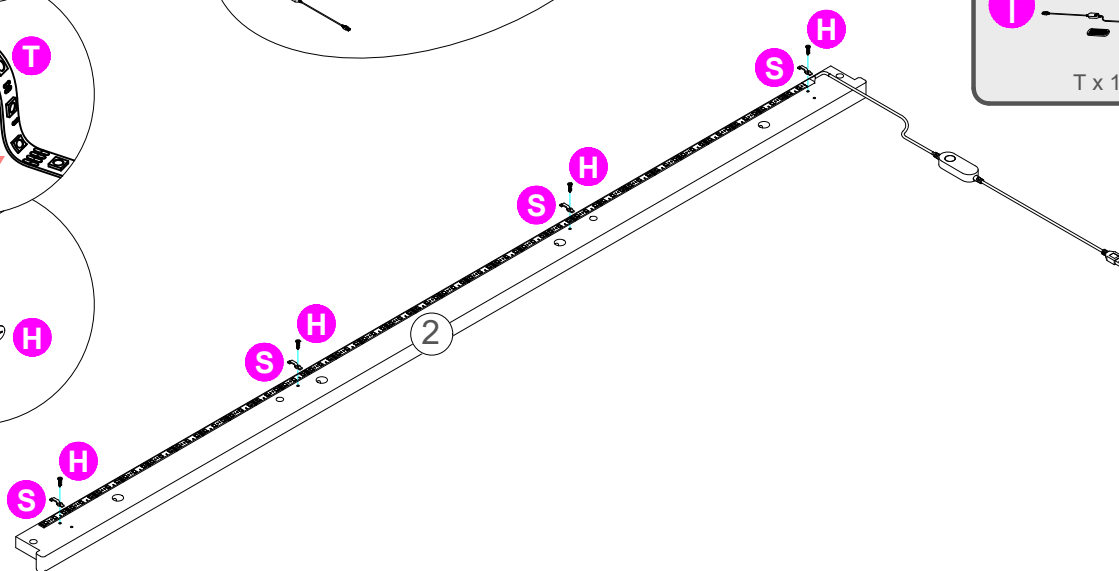
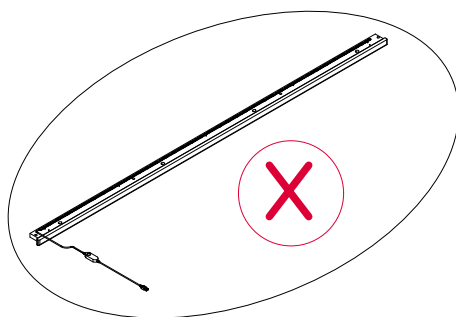
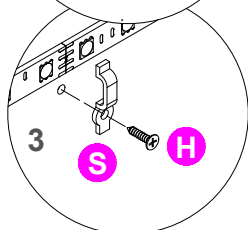
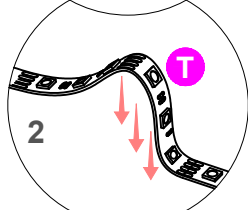
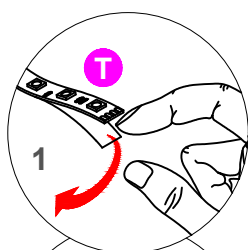


Q x 1

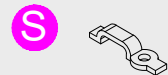


Two people are required to assemble and move this model.

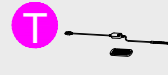
## Step 22



H x 4



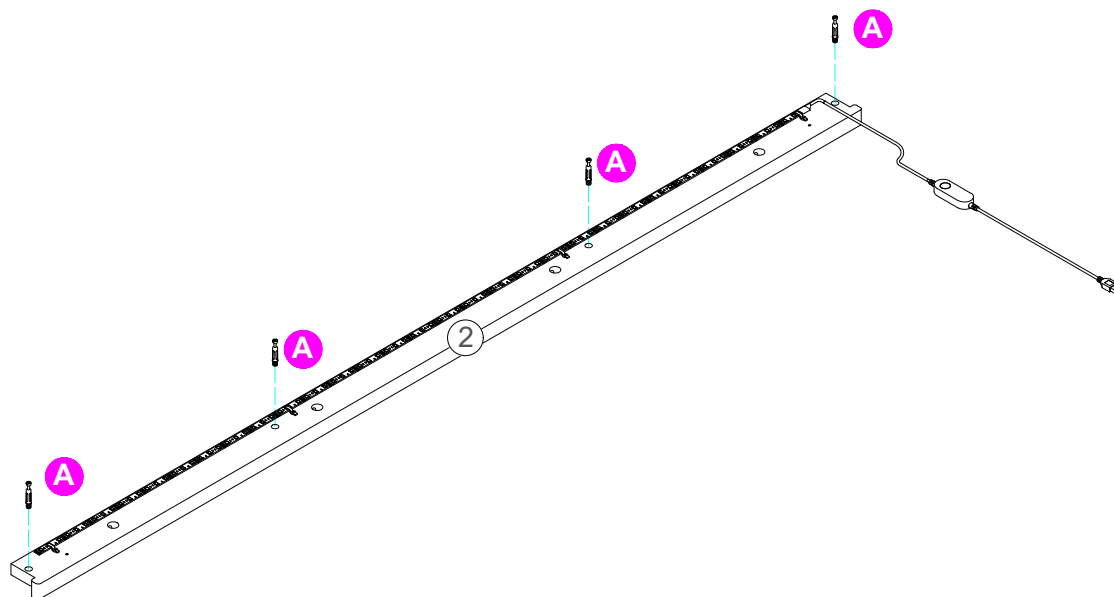
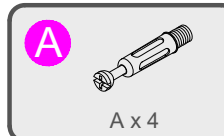
S x 4



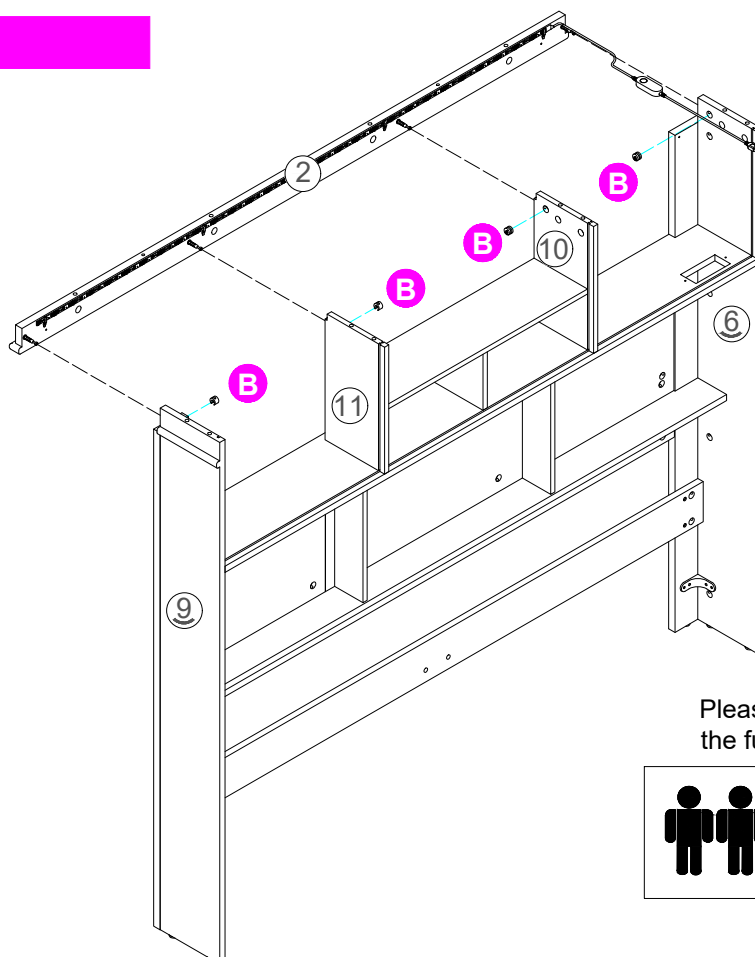
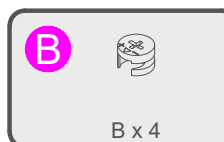
T x 1

# Assembly Instructions

## Step 23



## Step 24



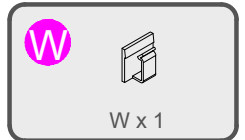
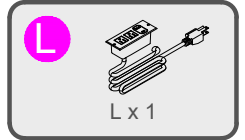
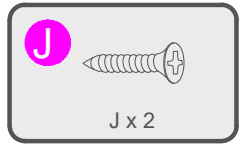
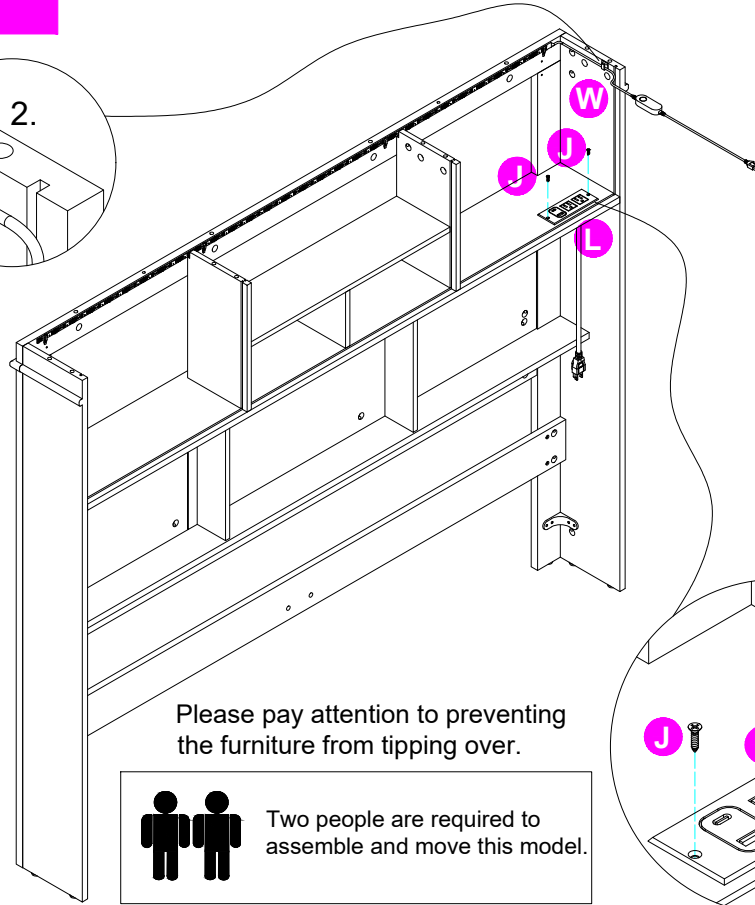
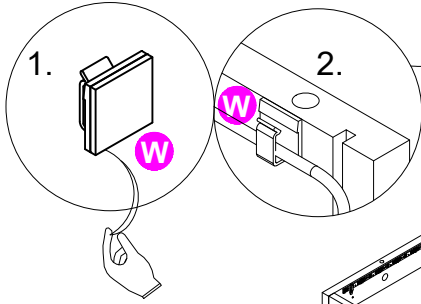
Please pay attention to preventing the furniture from tipping over.



Two people are required to assemble and move this model.

# Assembly Instructions

## Step 25

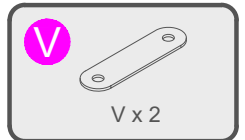
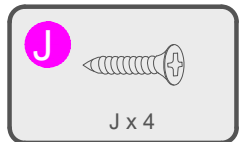
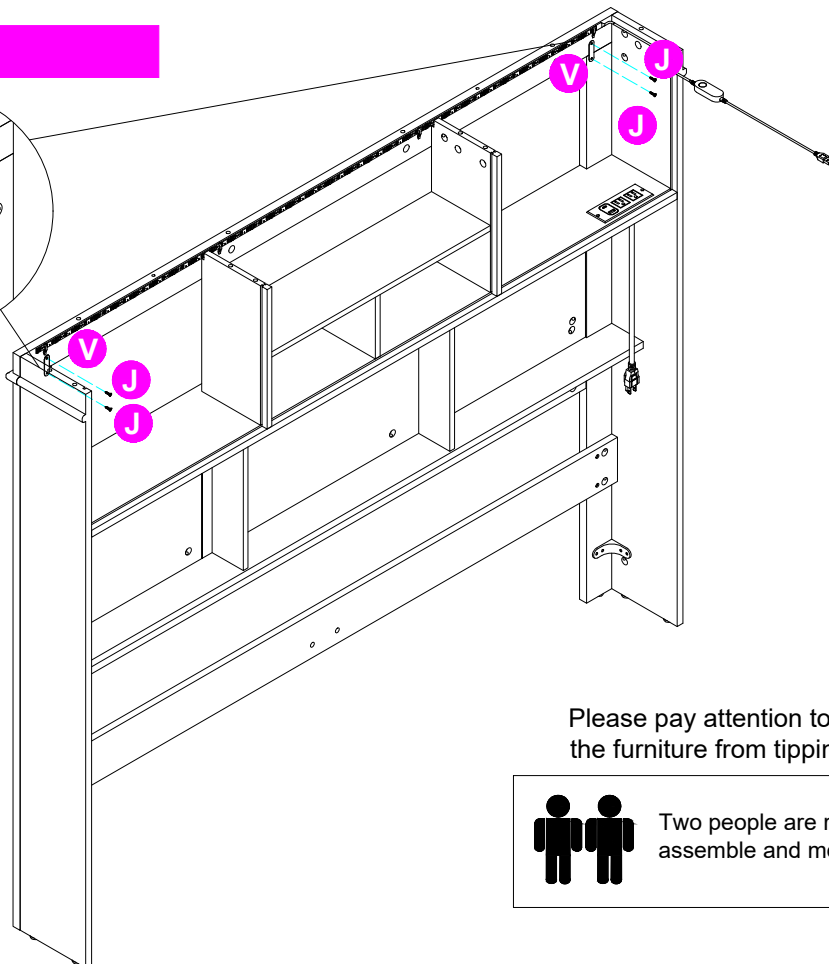
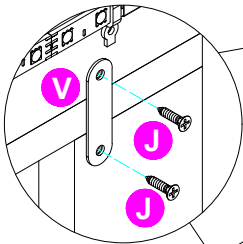


Please pay attention to preventing the furniture from tipping over.



Two people are required to assemble and move this model.

## Step 26



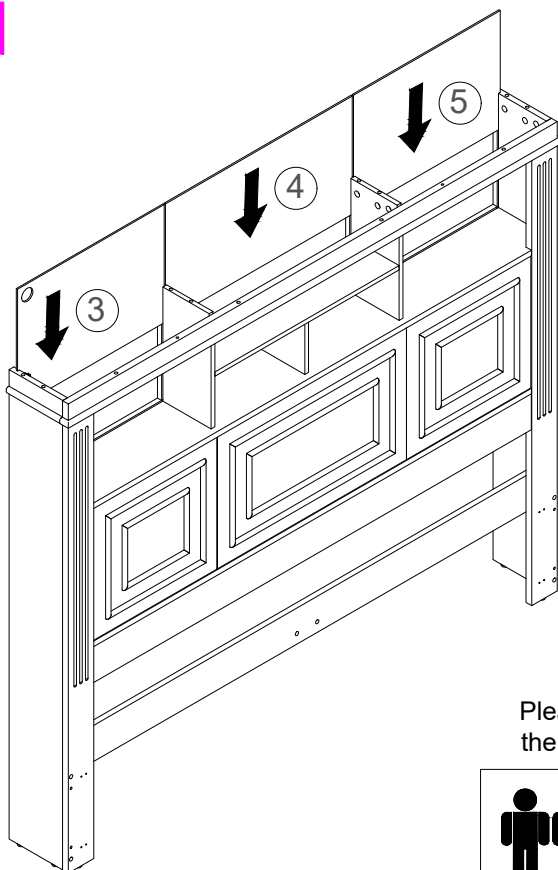
Please pay attention to preventing the furniture from tipping over.



Two people are required to assemble and move this model.

# Assembly Instructions

## Step 27

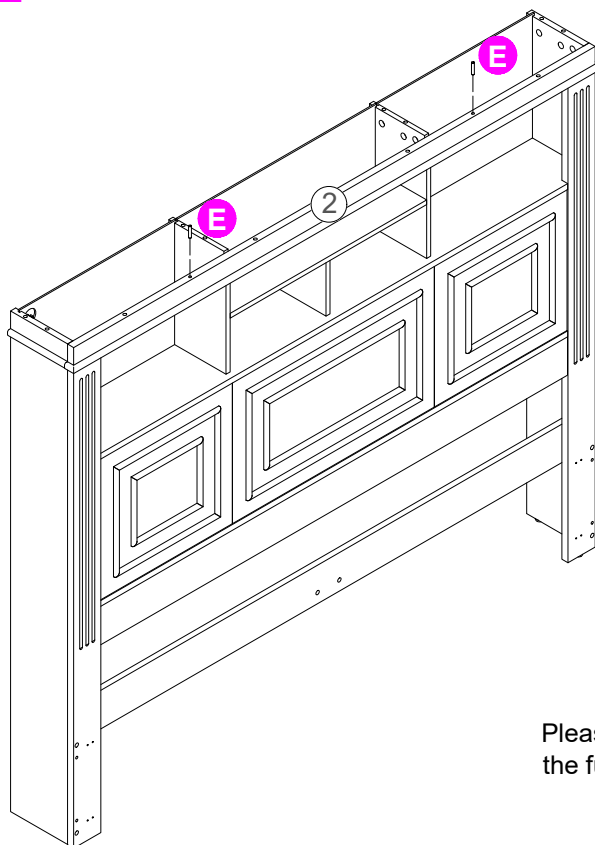


Please pay attention to preventing the furniture from tipping over.



Two people are required to assemble and move this model.

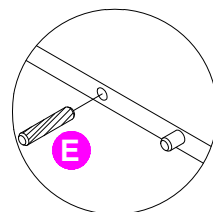
## Step 28



E



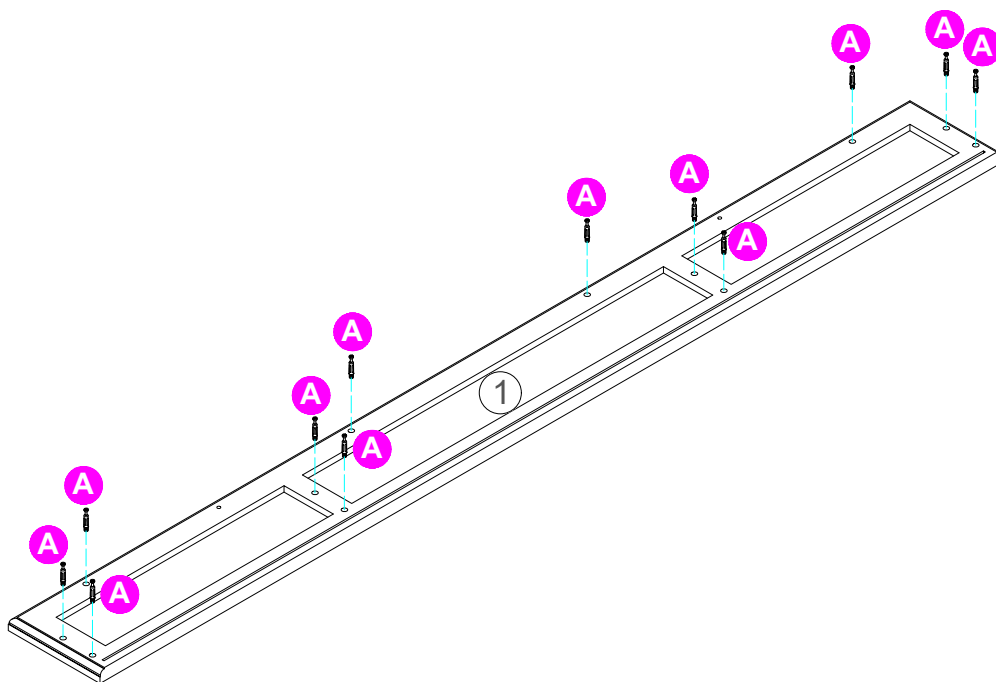
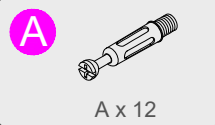
E x 2



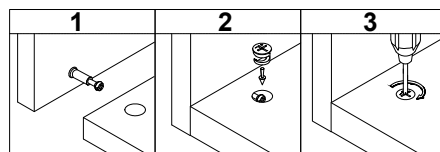
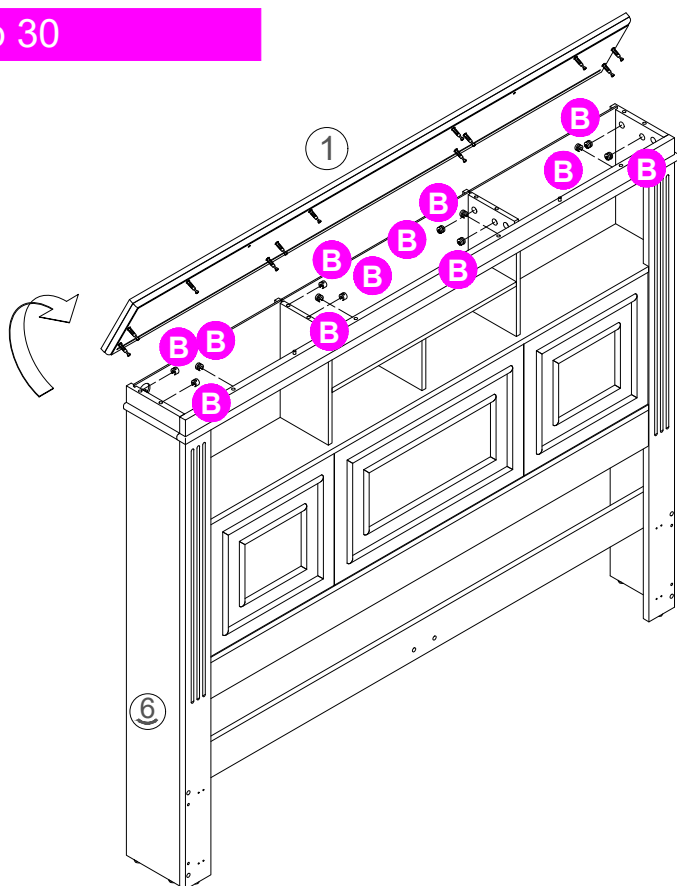
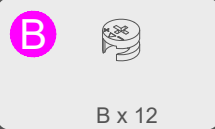
Please pay attention to preventing the furniture from tipping over.

# Assembly Instructions

## Step 29



## Step 30



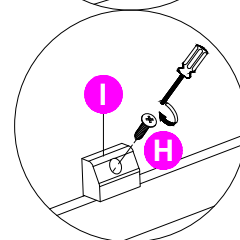
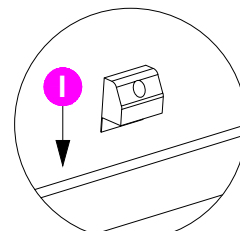
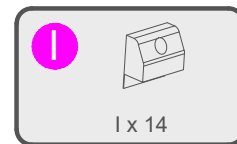
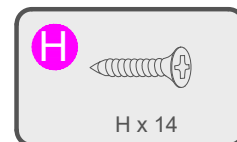
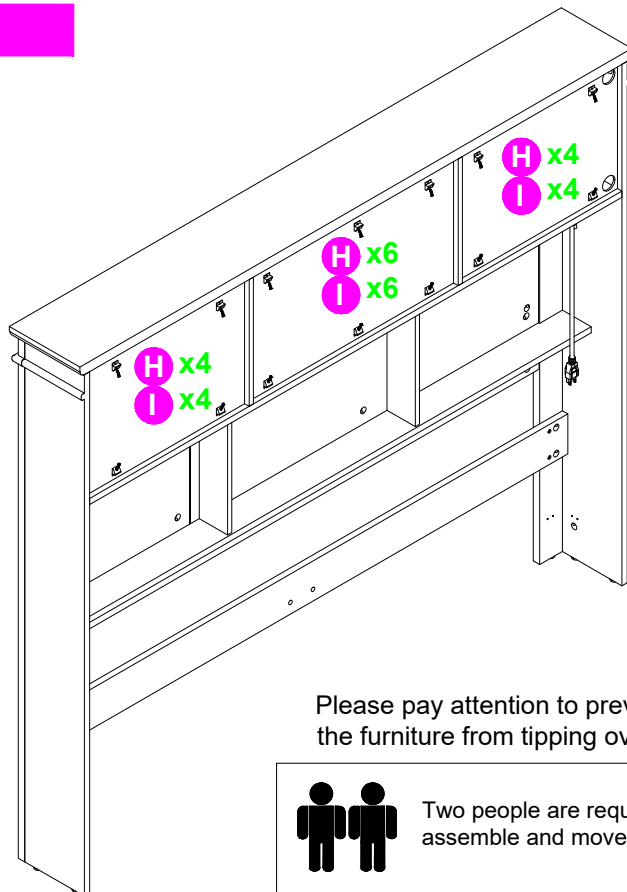
Please pay attention to preventing the furniture from tipping over.



Two people are required to assemble and move this model.

# Assembly Instructions

## Step 31

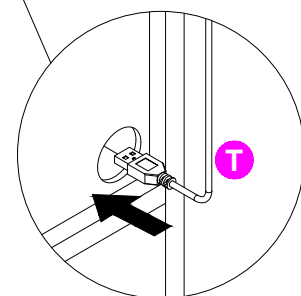
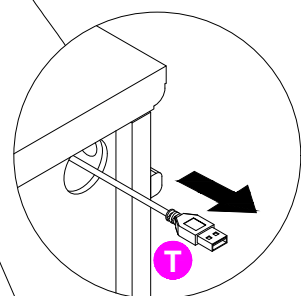
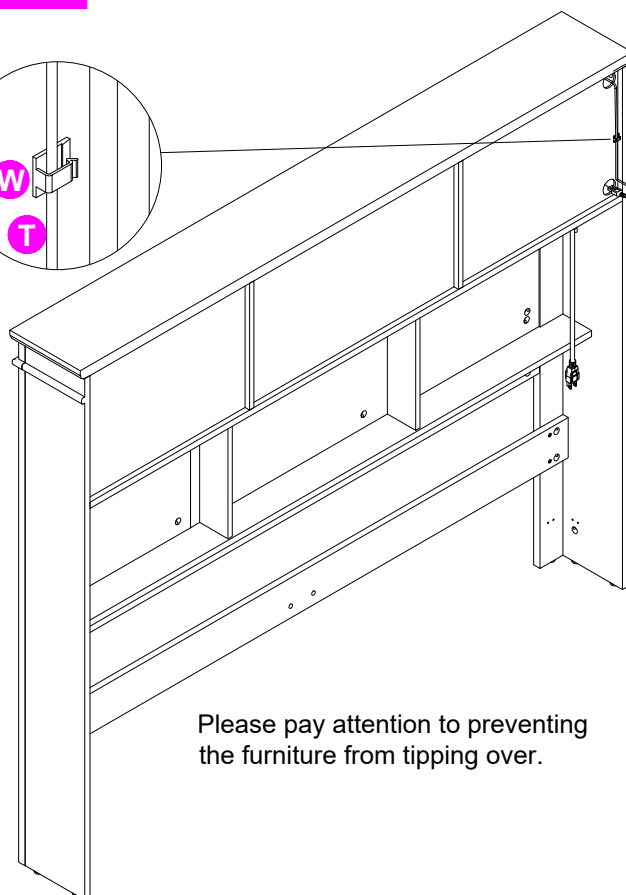
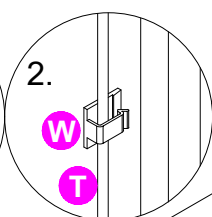
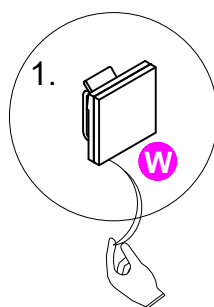


Please pay attention to preventing the furniture from tipping over.



Two people are required to assemble and move this model.

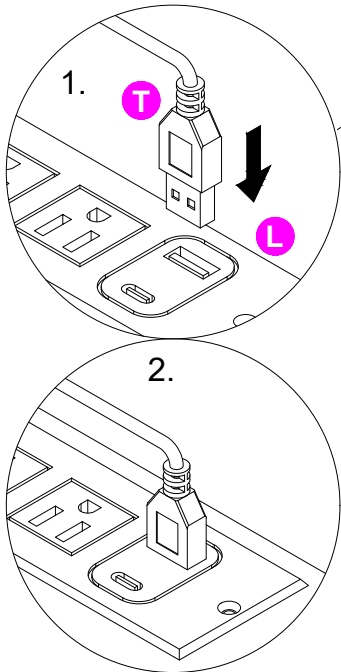
## Step 32



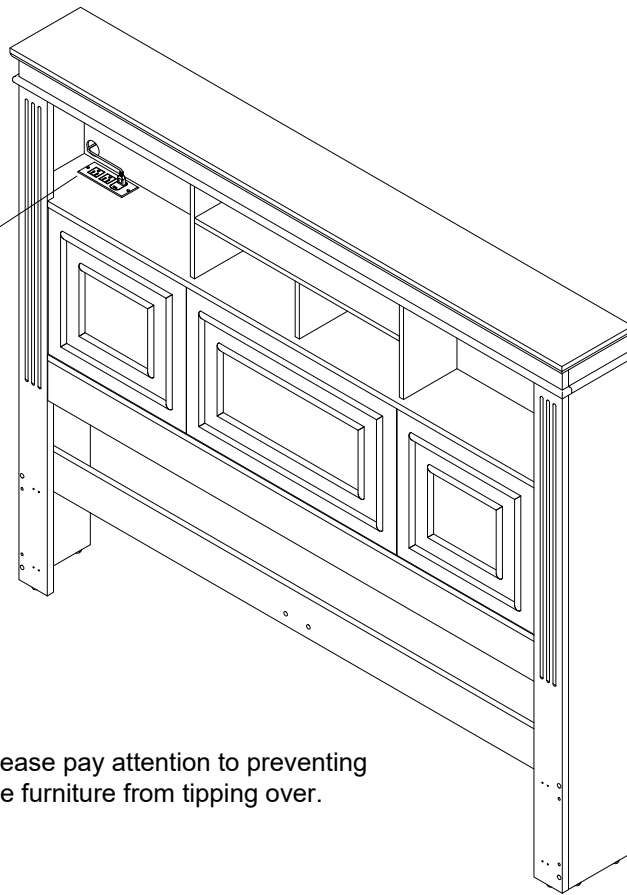
Please pay attention to preventing the furniture from tipping over.

# Assembly Instructions

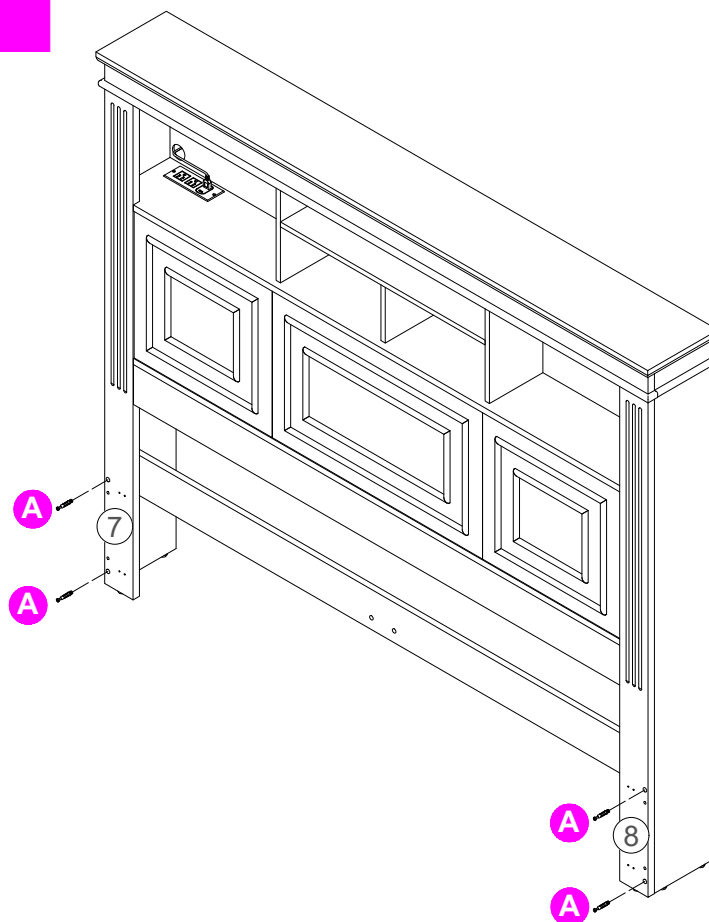
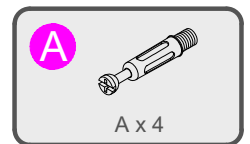
## Step 33



Please pay attention to preventing the furniture from tipping over.

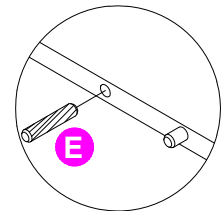
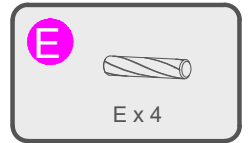
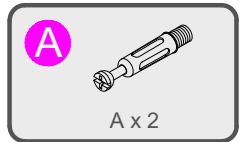
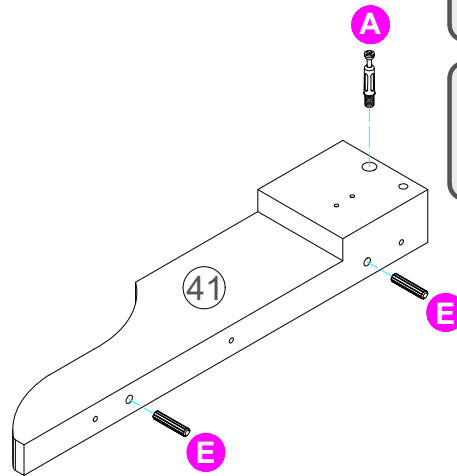
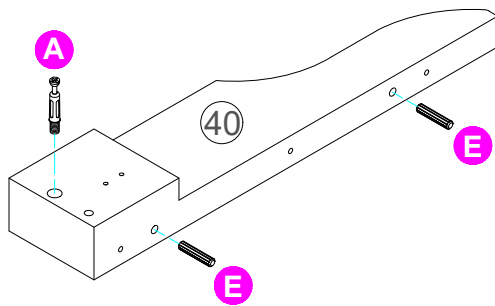


## Step 34

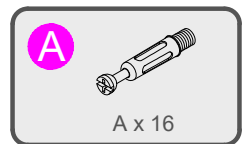
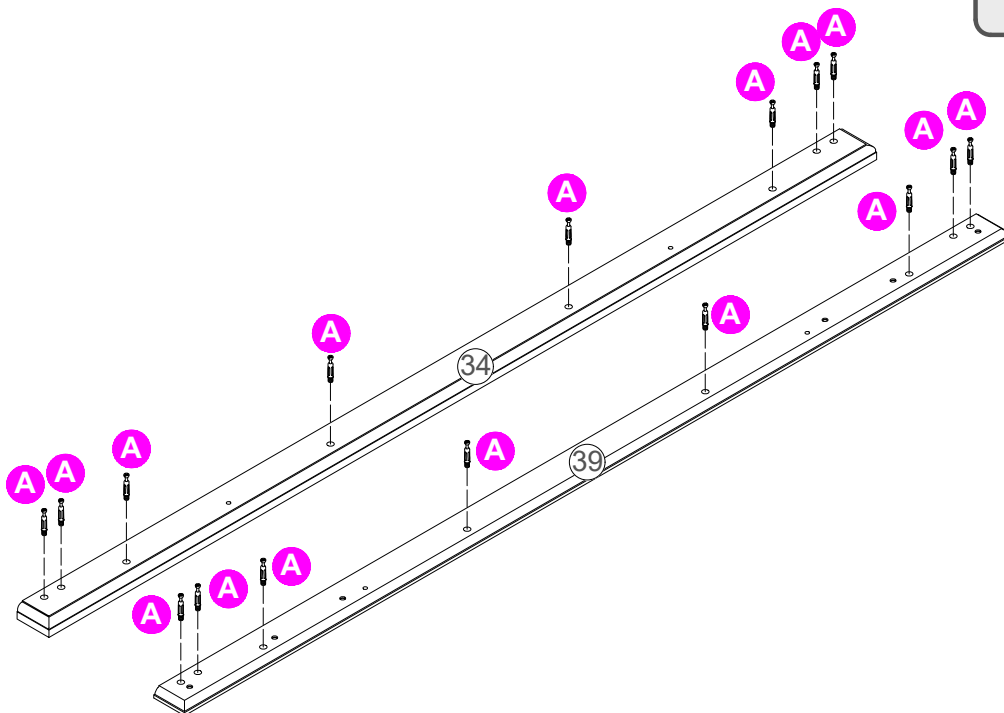


# Assembly Instructions

## Step 35

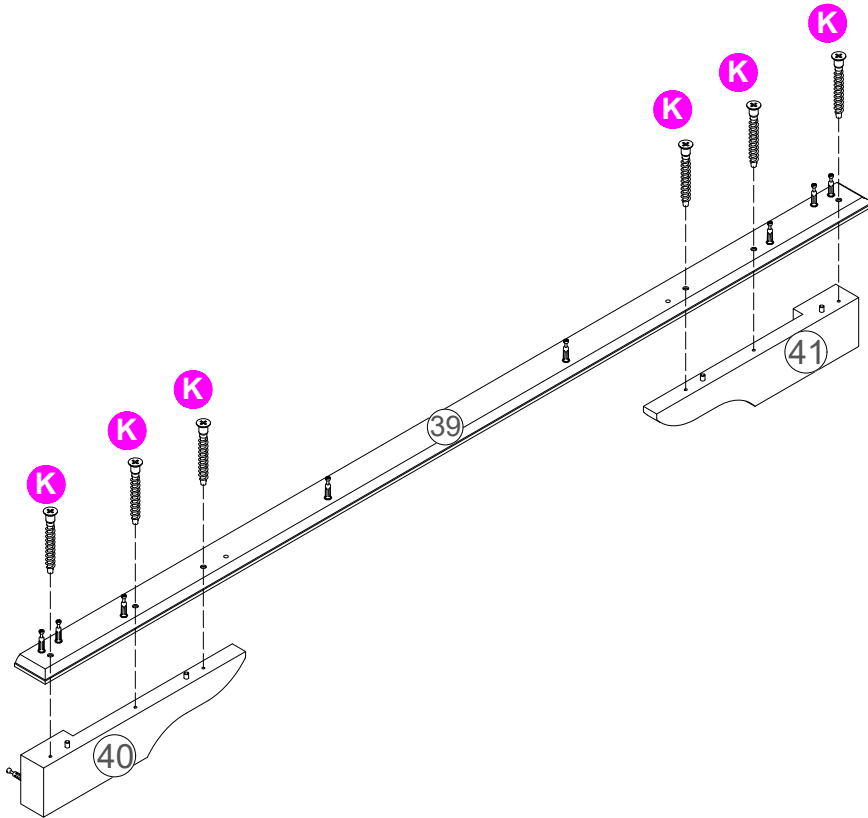
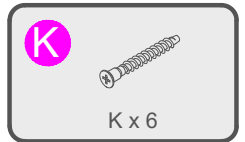


## Step 36

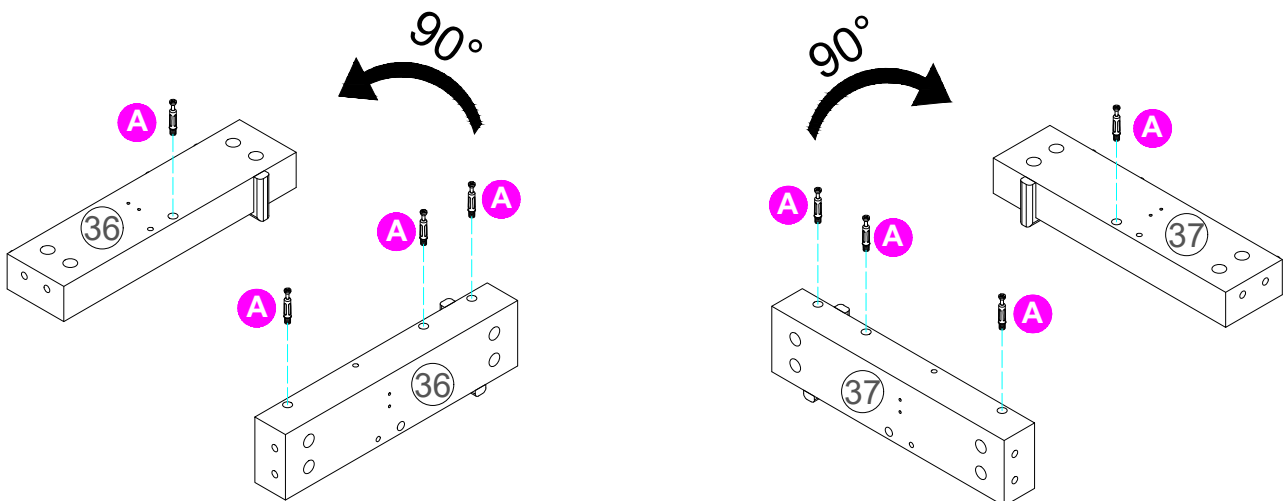
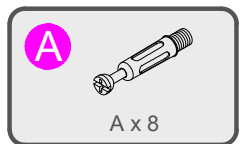


# Assembly Instructions

## Step 37

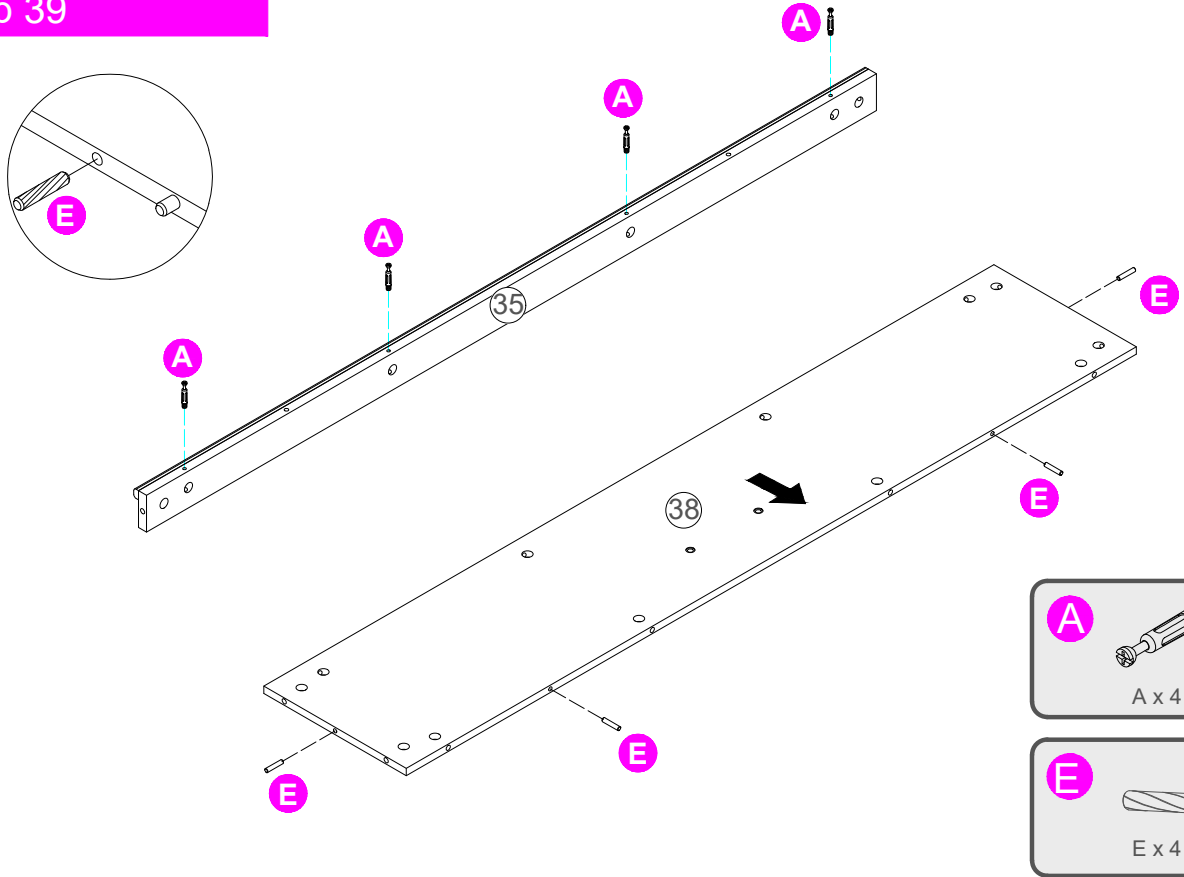


## Step 38

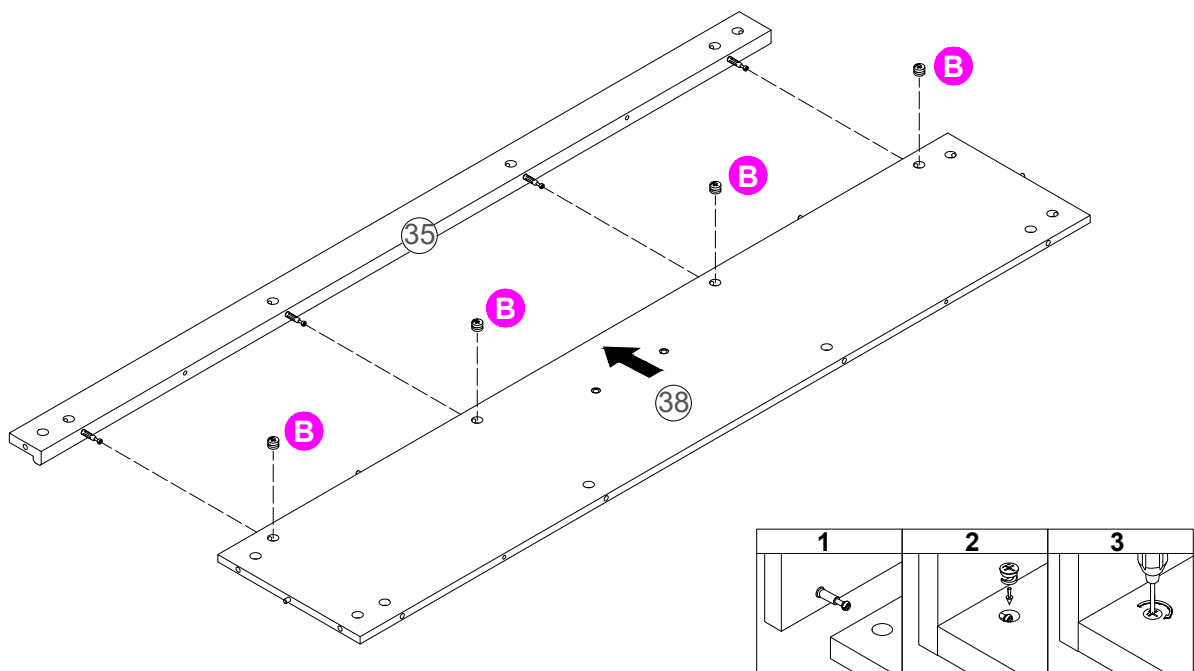


# Assembly Instructions

## Step 39



## Step 40



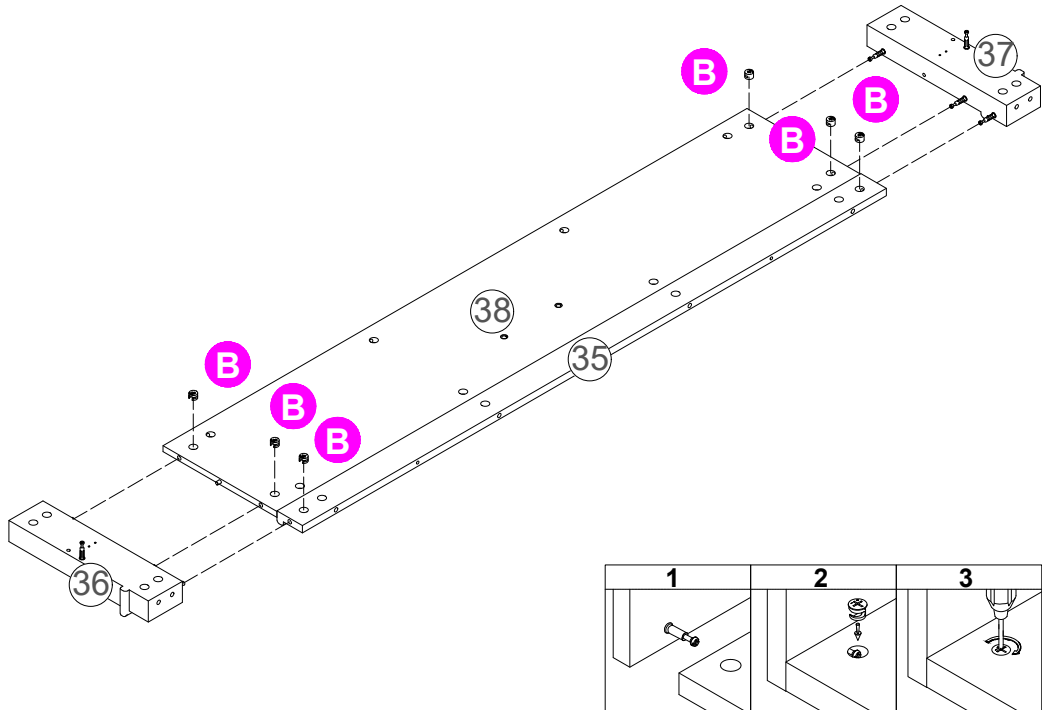
# Assembly Instructions

## Step 41

**B**

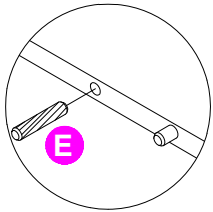


B x 6



## Step 42

Flip 180 degrees after installation.



**B**

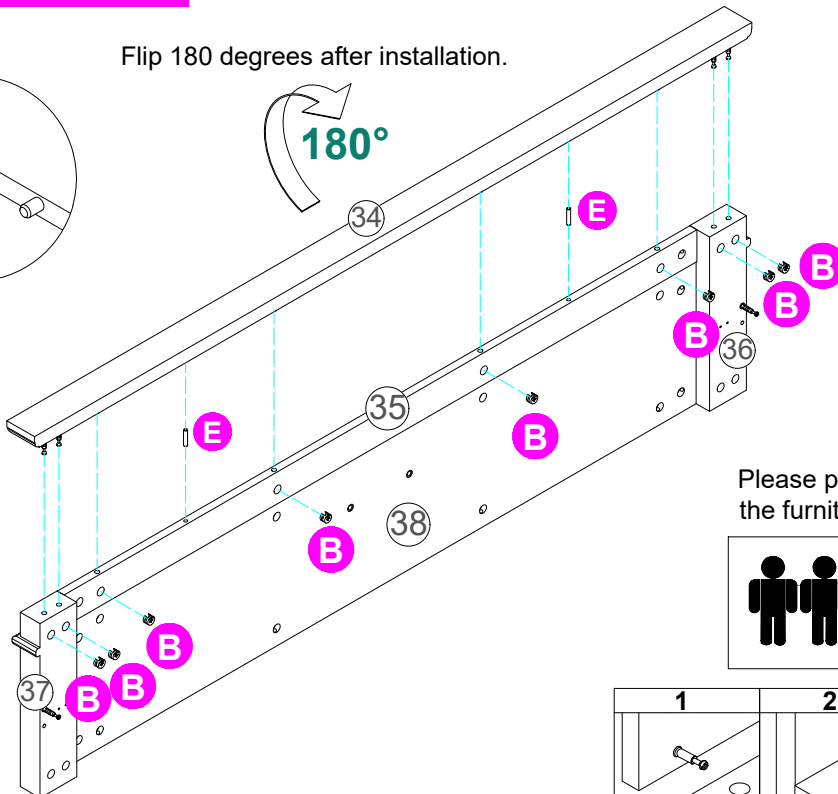


B x 8

**E**



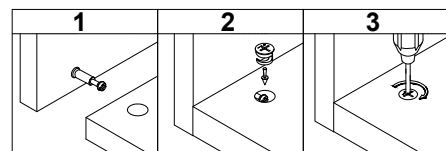
E x 2



Please pay attention to preventing the furniture from tipping over.

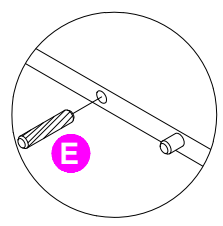
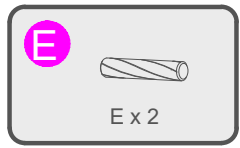
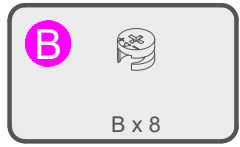
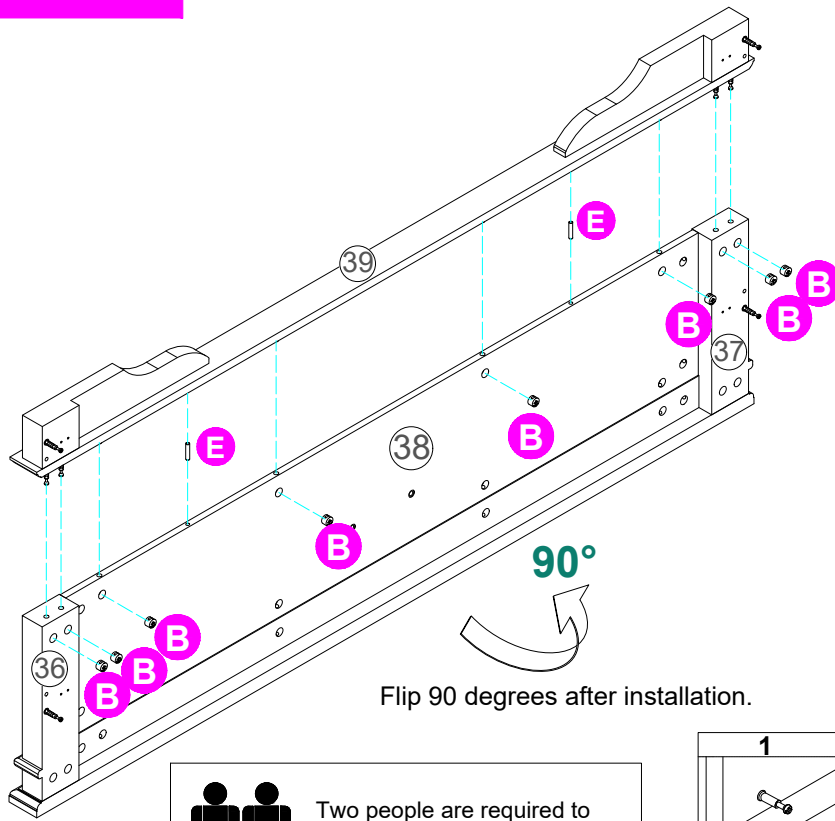


Two people are required to assemble and move this model.



# Assembly Instructions

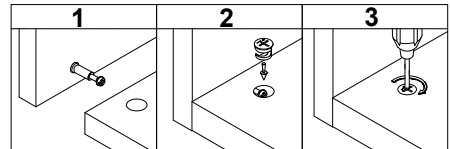
## Step 43



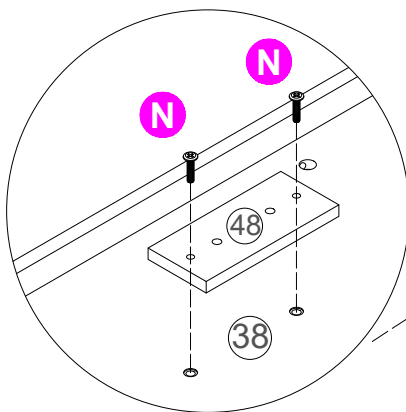
Flip 90 degrees after installation.



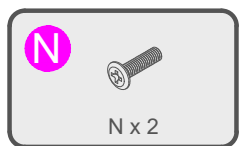
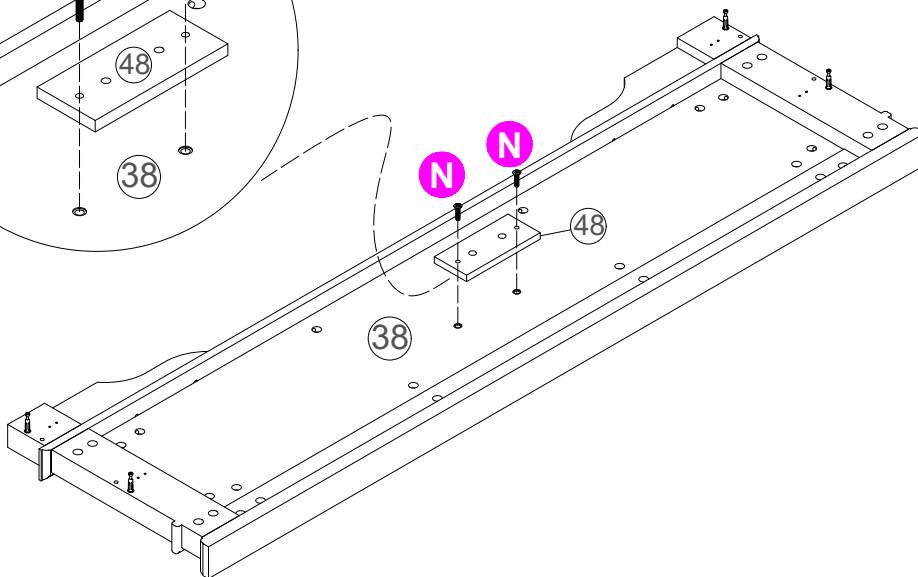
Two people are required to assemble and move this model.



## Step 44

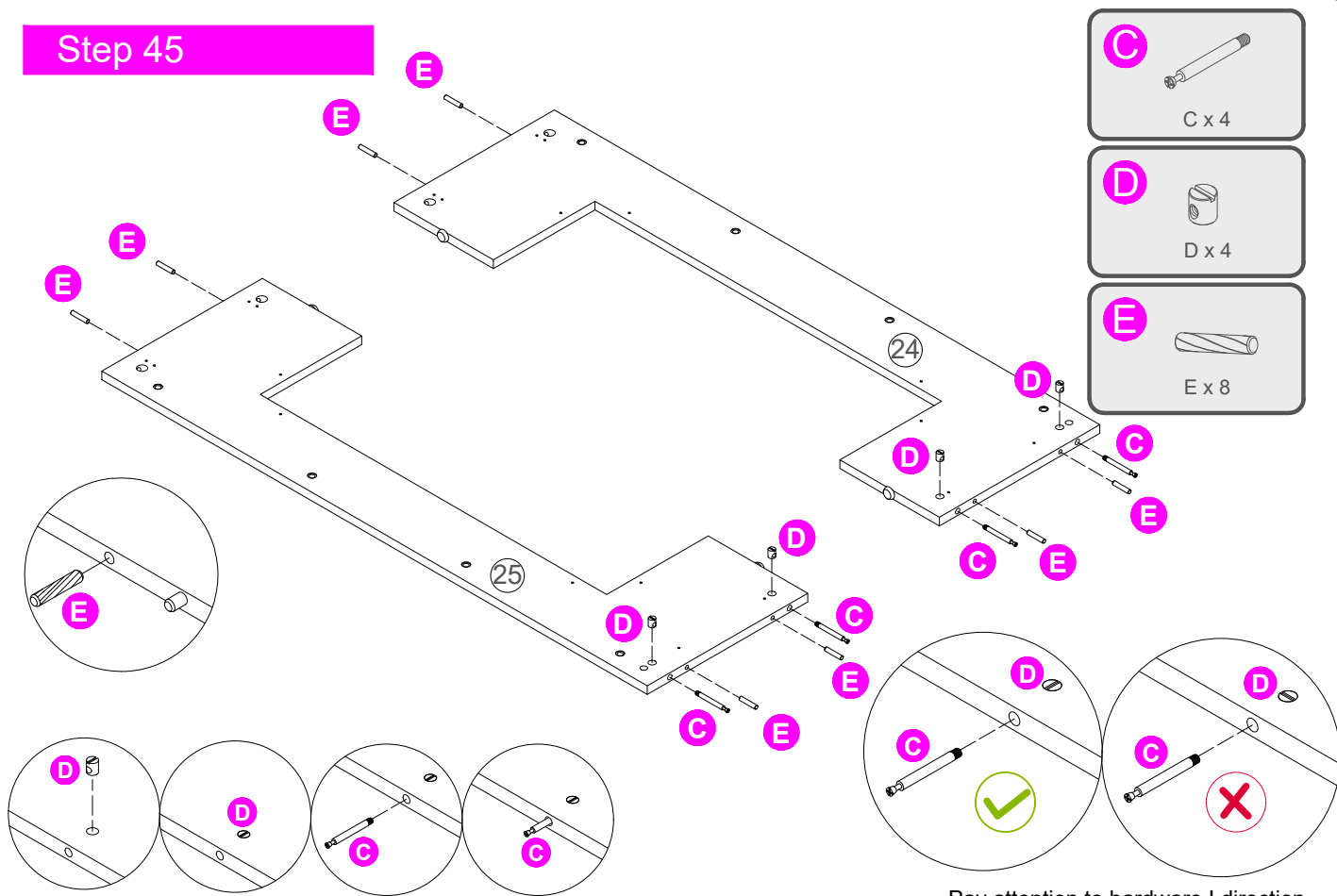


Distinguish the front and back sides of the No. 48 board



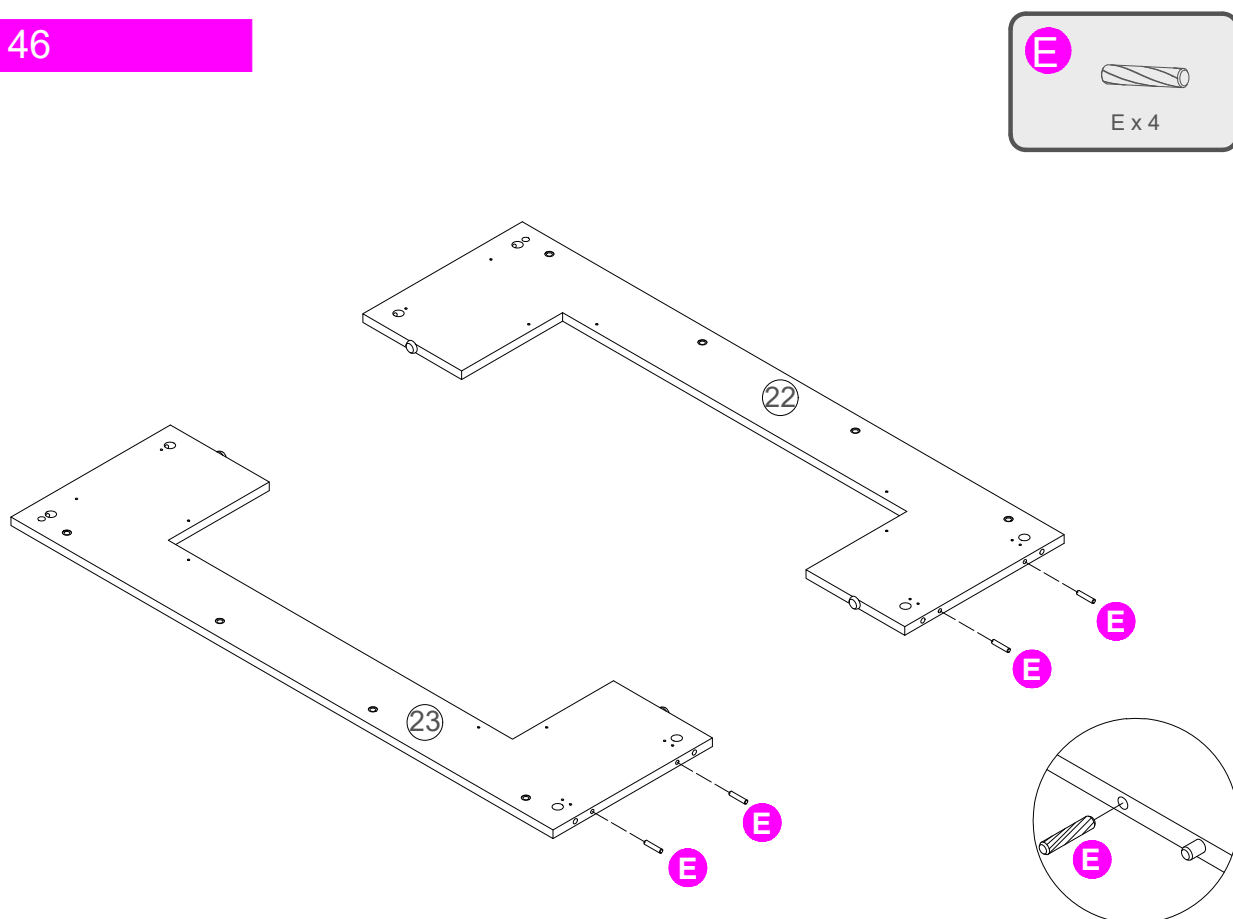
# Assembly Instructions

## Step 45



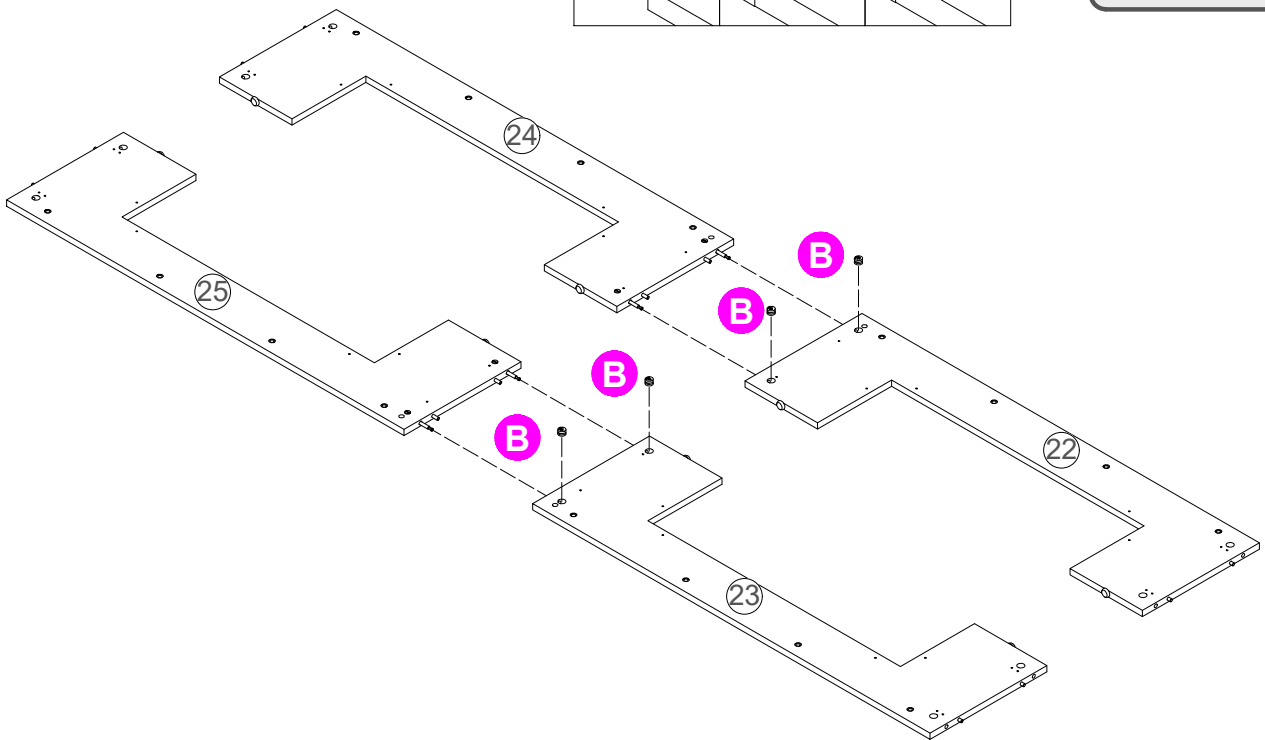
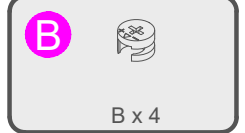
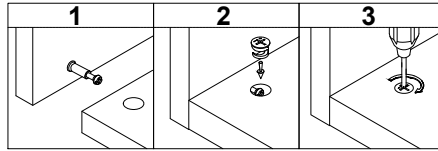
Pay attention to hardware I direction.

## Step 46

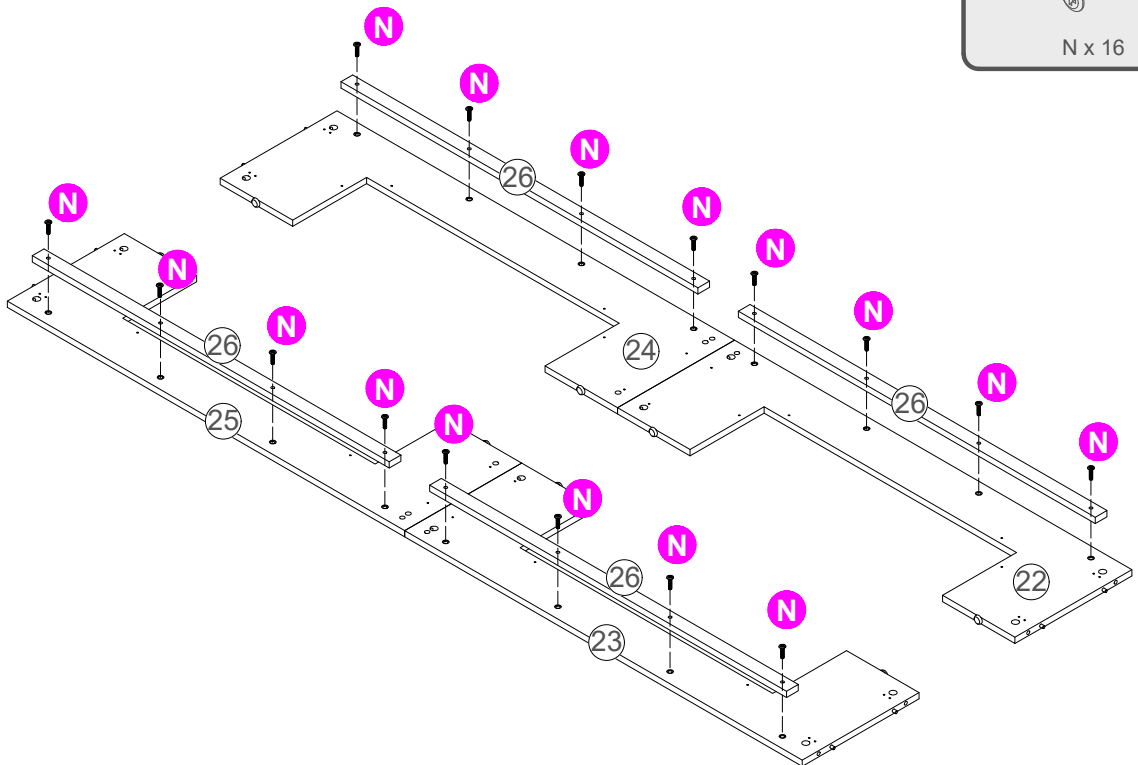
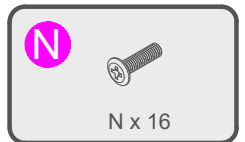


# Assembly Instructions

## Step 47

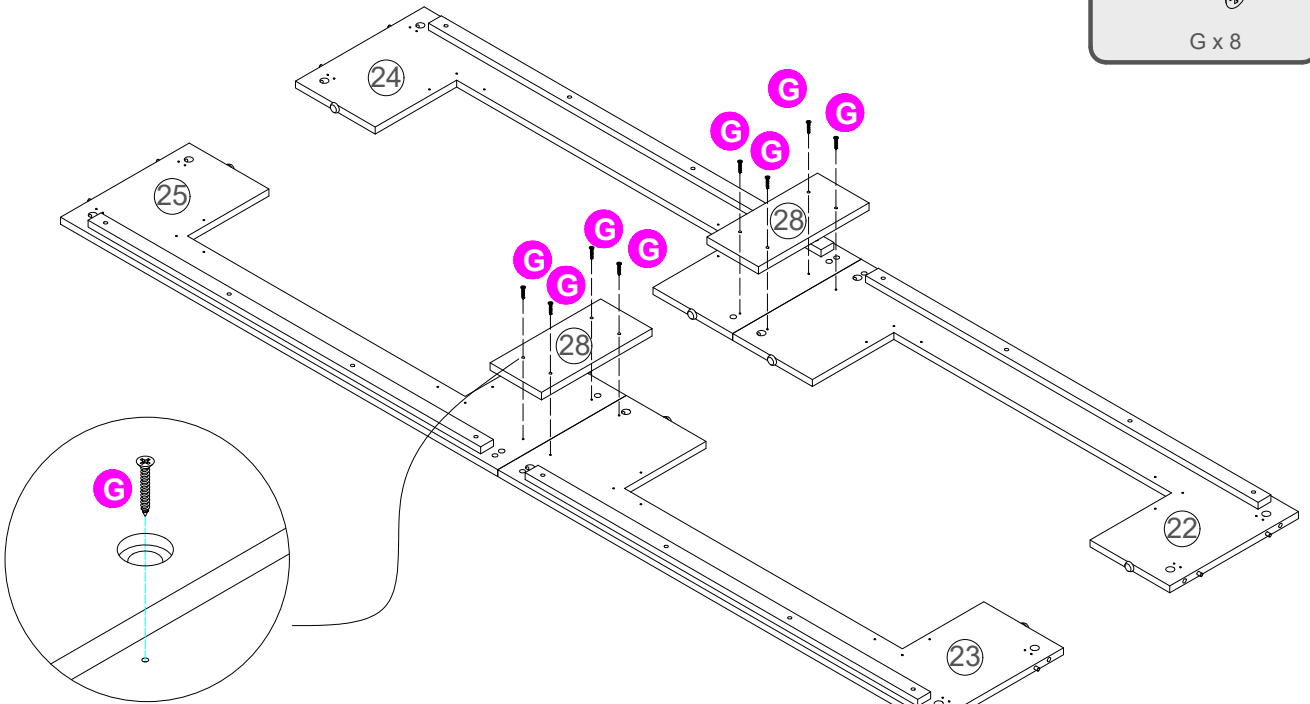


## Step 48



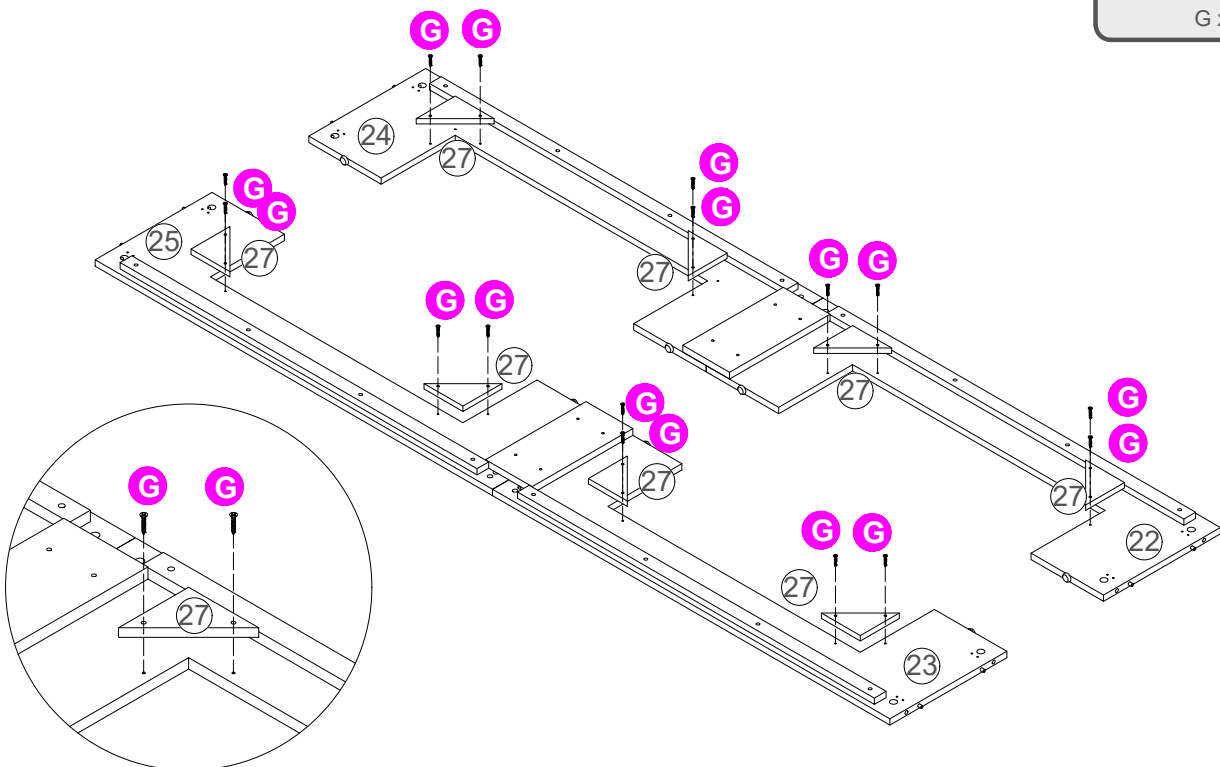
# Assembly Instructions

## Step 49



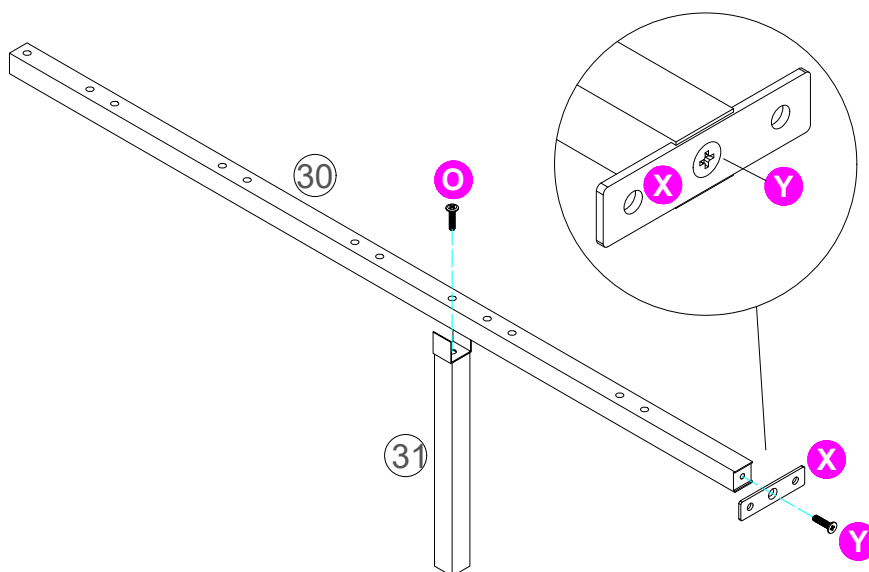
Distinguish the front and back sides of the No. 28 board

## Step 50



# Assembly Instructions

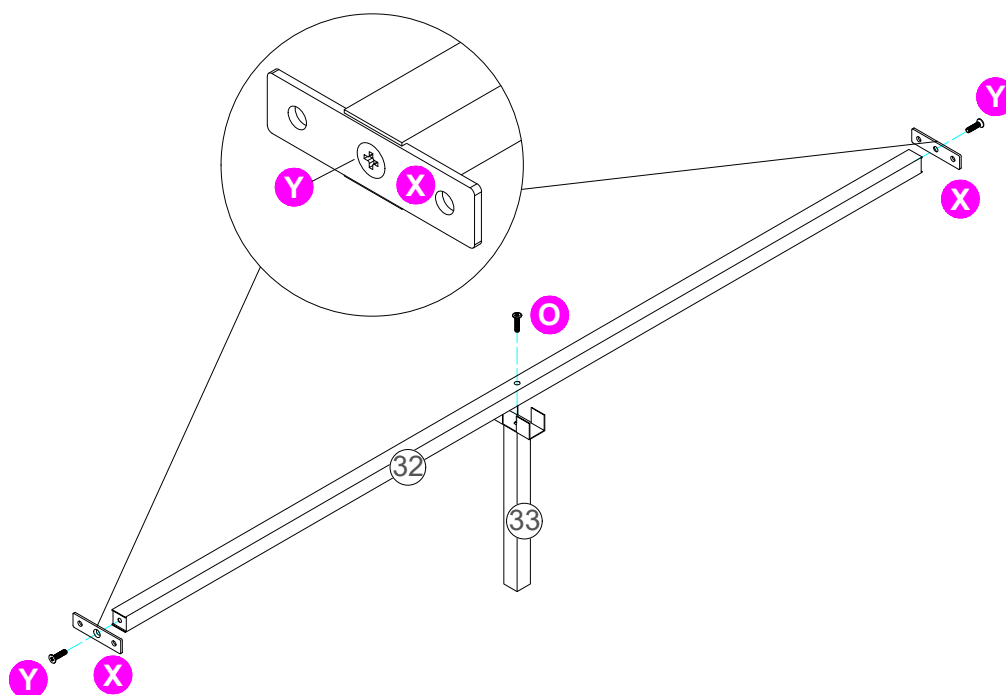
## Step 51



- O x 2
- X x 2
- Y x 2

**X 2**

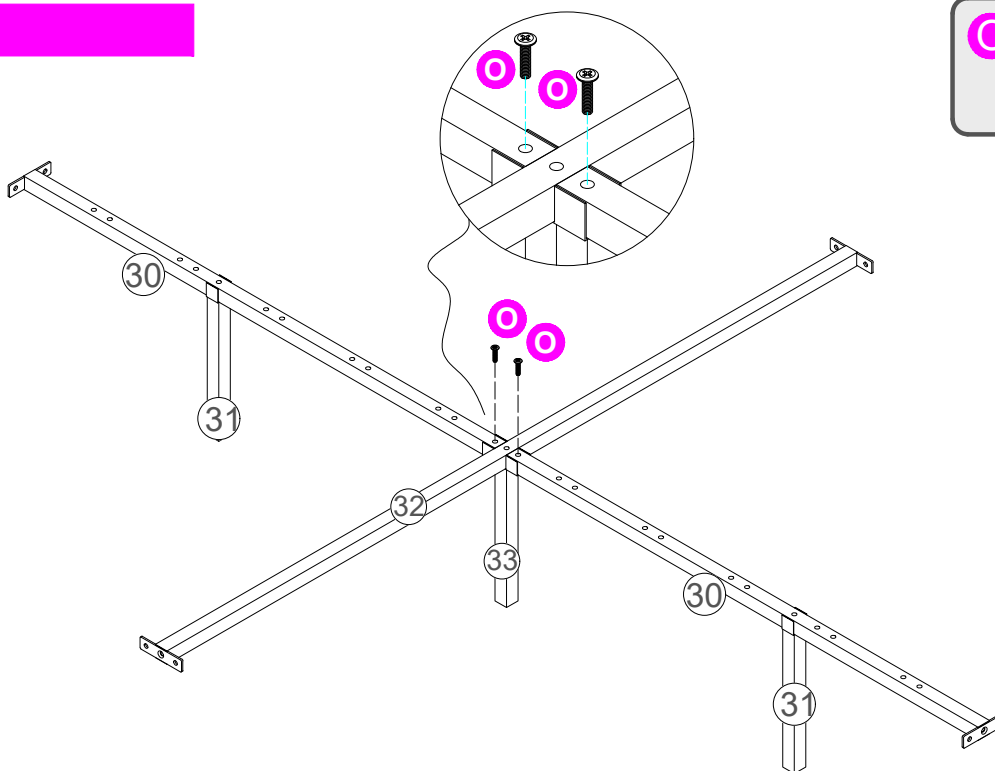
## Step 52



- O x 1
- X x 2
- Y x 2

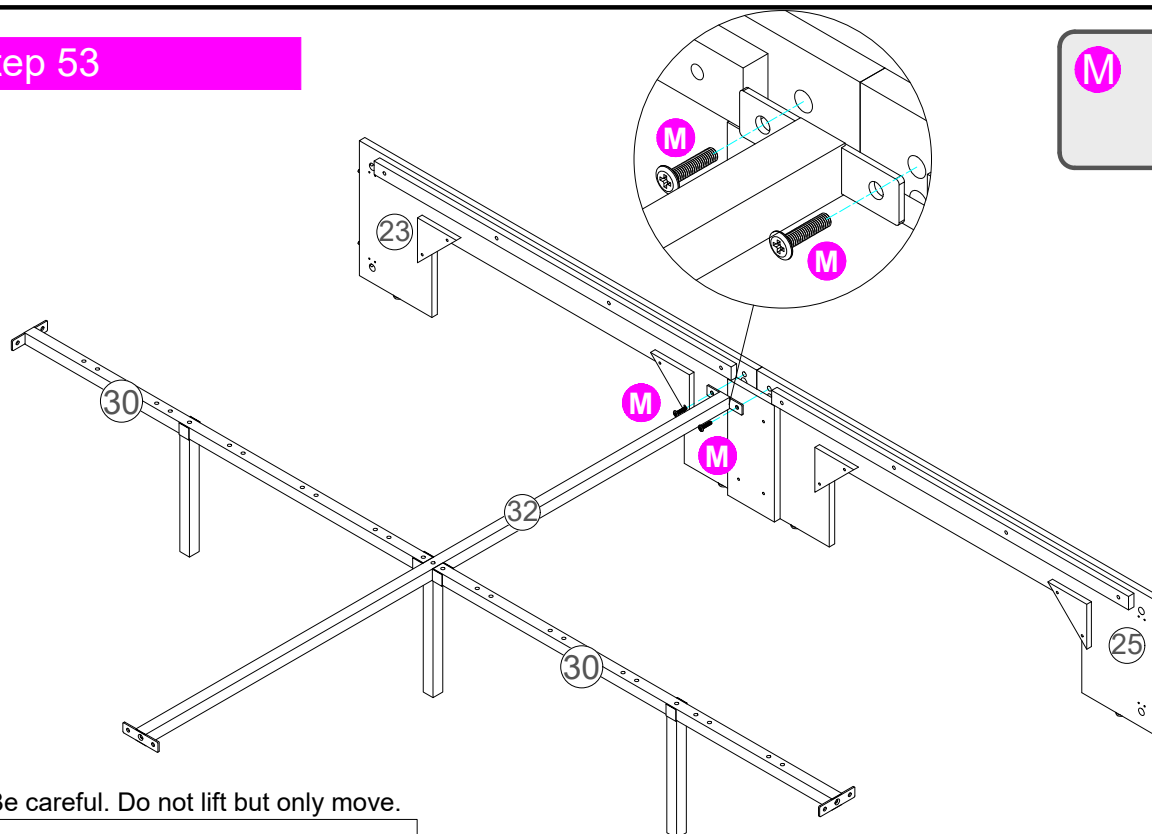
# Assembly Instructions

## Step 53



Two people are required to assemble and move this model.

## Step 53



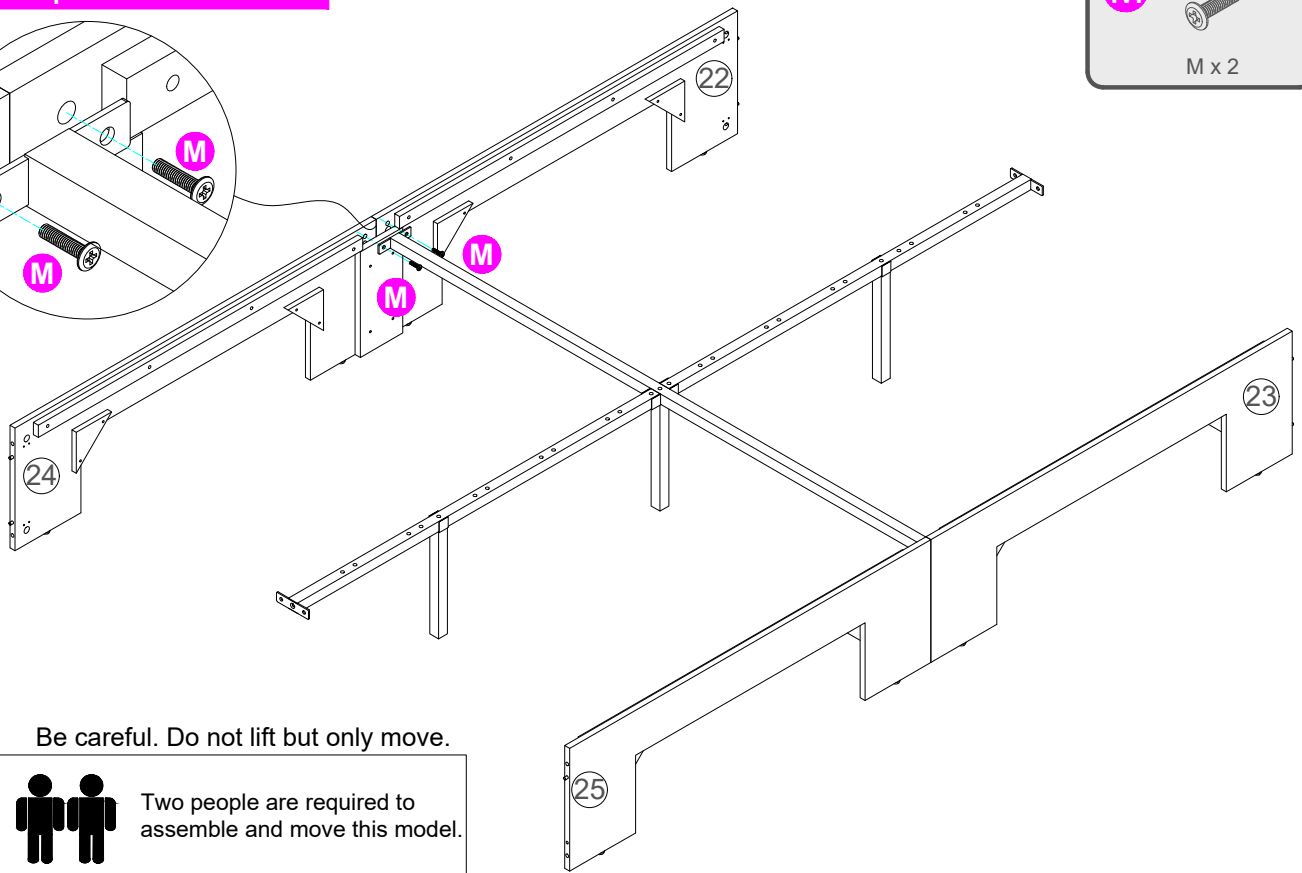
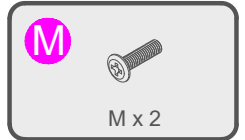
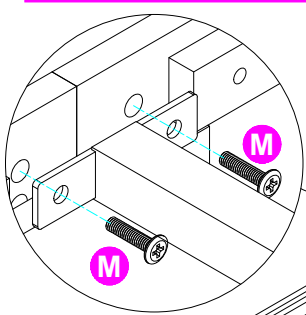
Be careful. Do not lift but only move.



Two people are required to assemble and move this model.

# Assembly Instructions

## Step 55

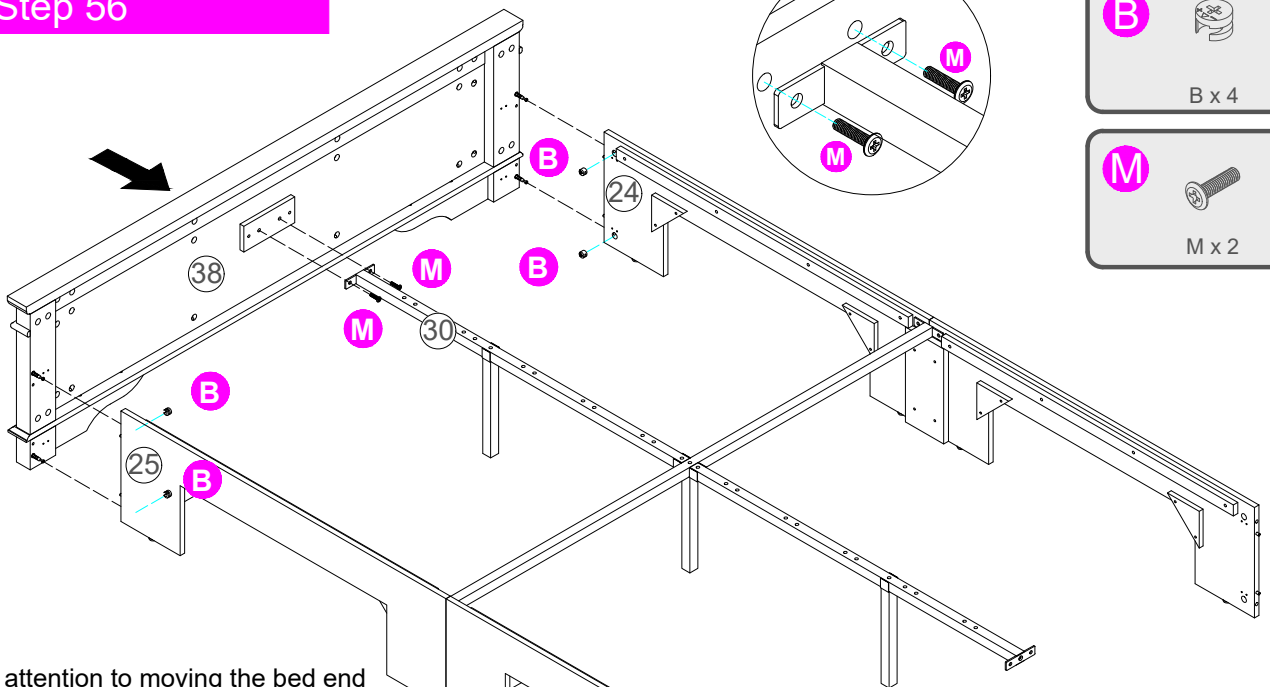
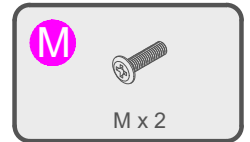
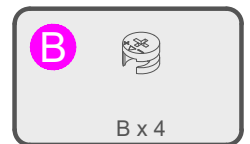
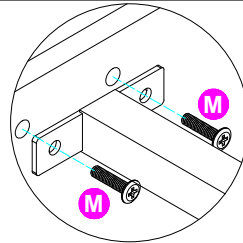


Be careful. Do not lift but only move.

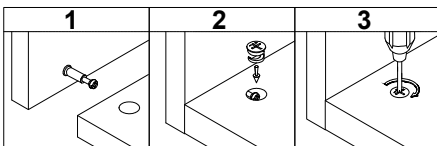


Two people are required to assemble and move this model.

## Step 56



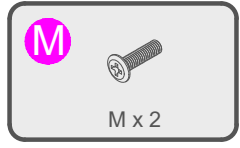
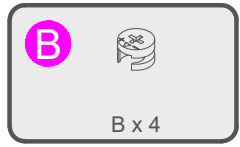
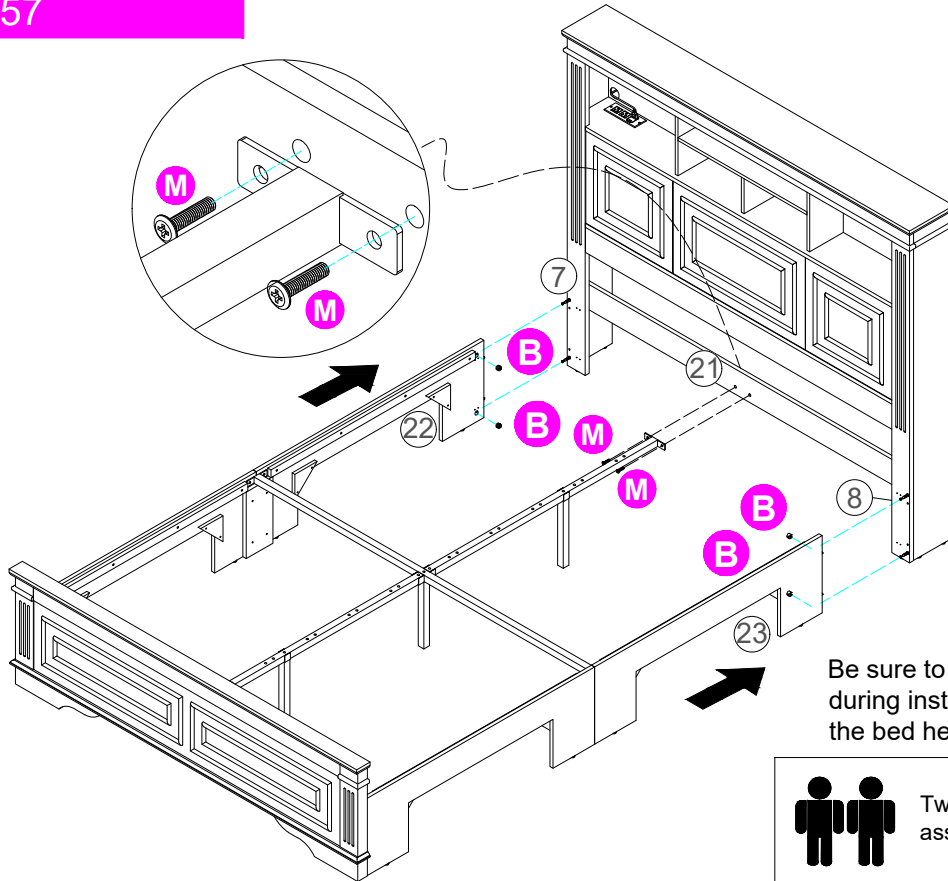
Pay attention to moving the bed end for installation while keeping the bed frame stationary.



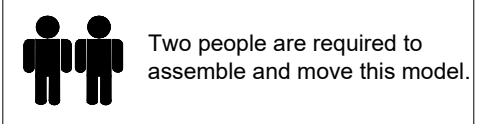
Two people are required to assemble and move this model.

# Assembly Instructions

## Step 57

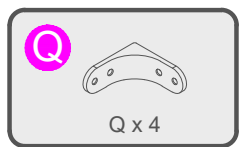
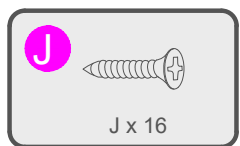
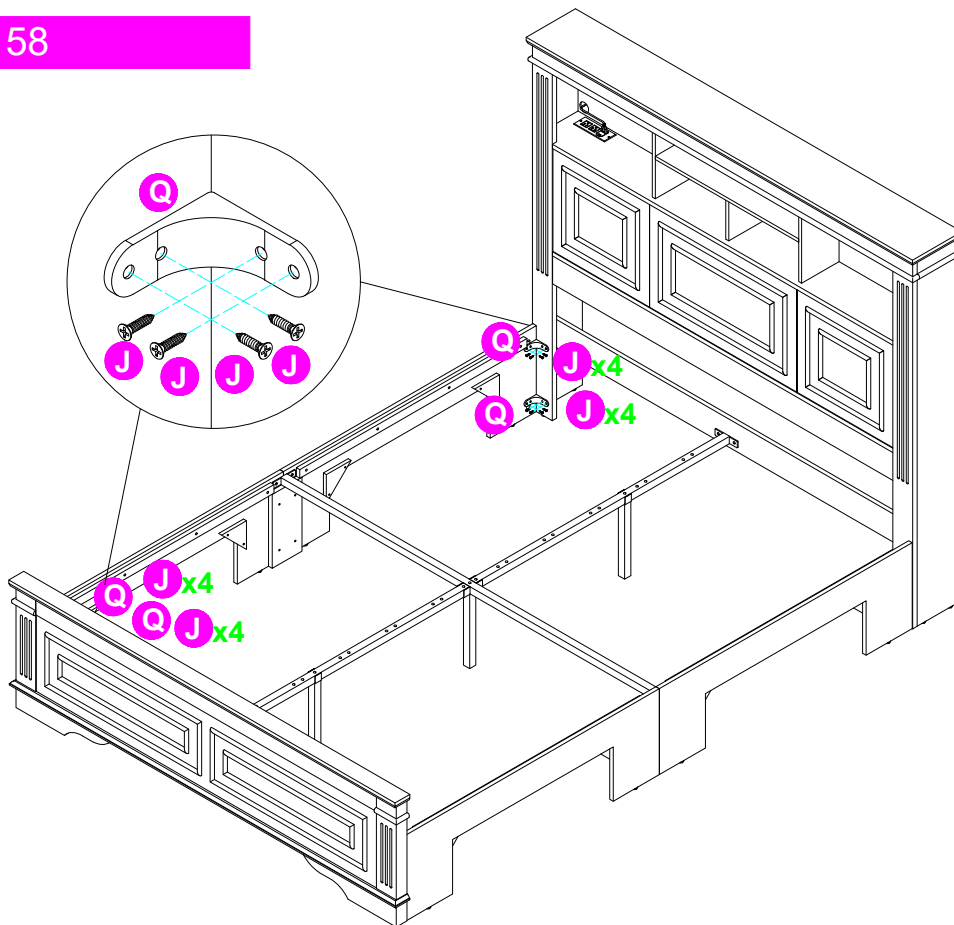


Be sure to move the bed frame during installation, while keeping the bed head stationary.



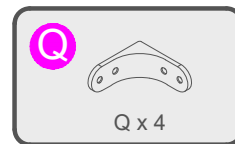
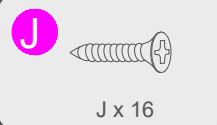
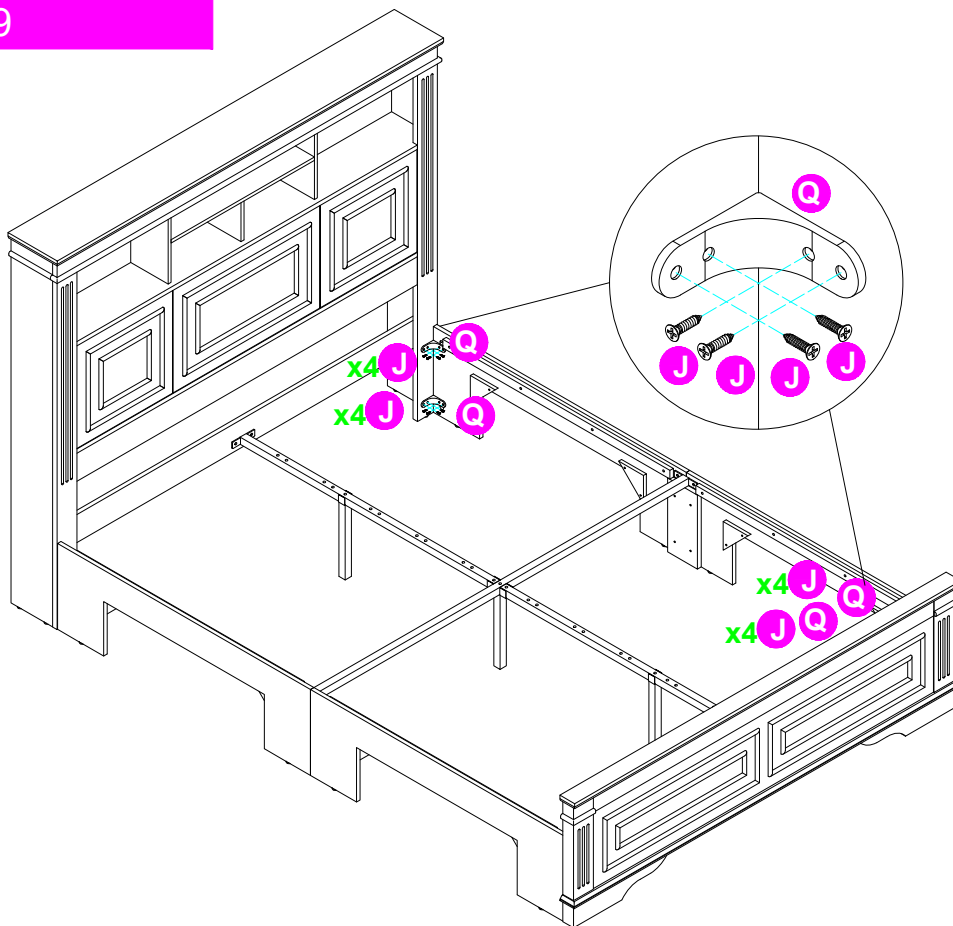
Two people are required to assemble and move this model.

## Step 58

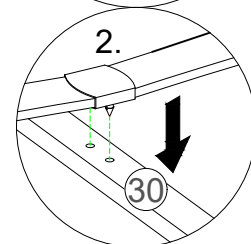
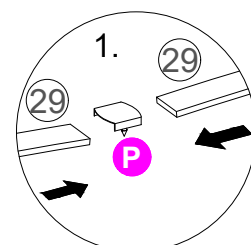
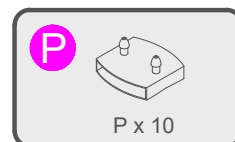
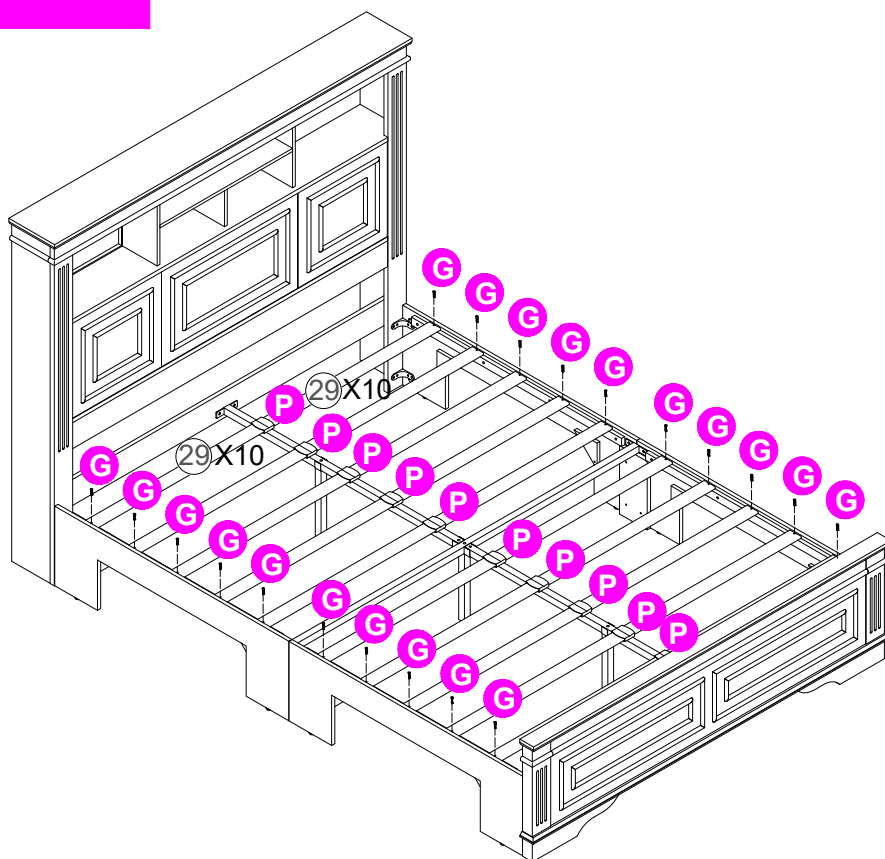


# Assembly Instructions

## Step 59

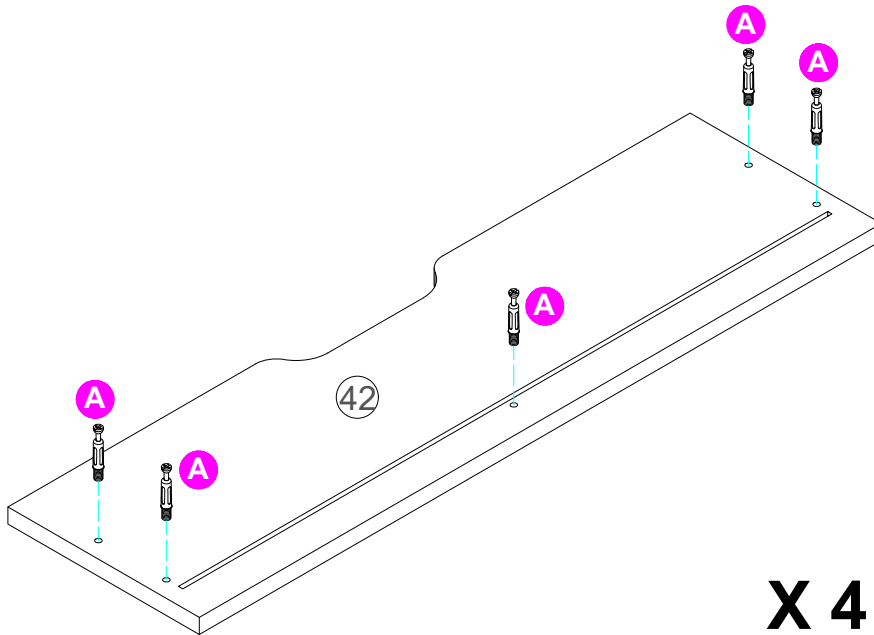
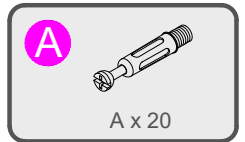


## Step 60



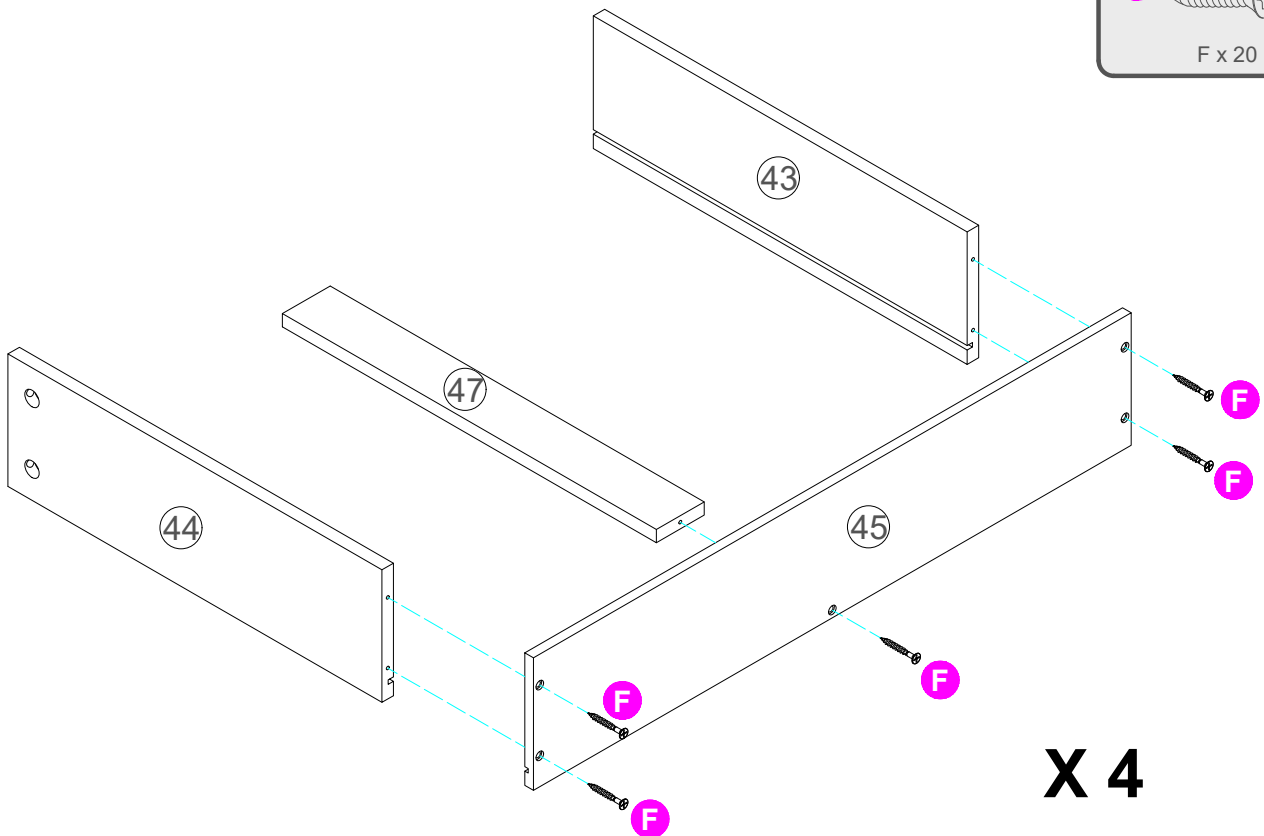
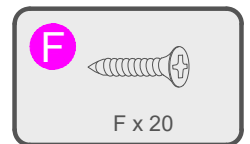
# Assembly Instructions

## Step 61



**X 4**

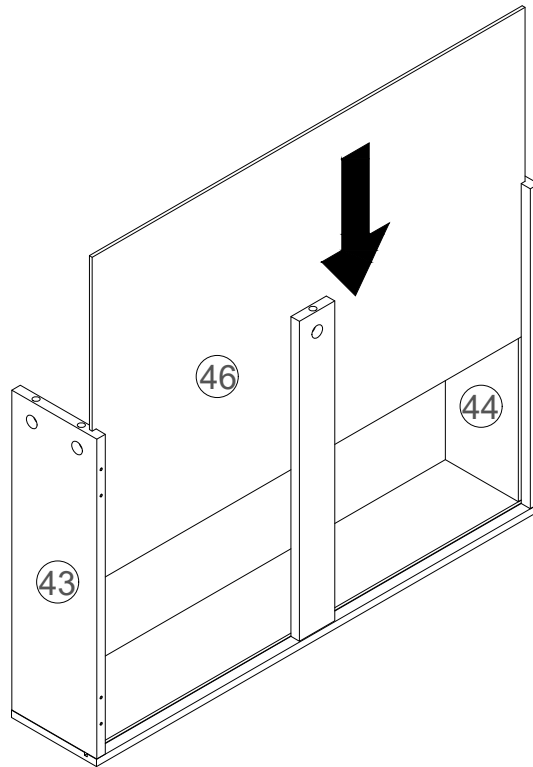
## Step 62



**X 4**

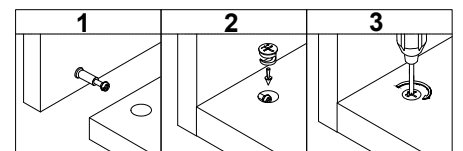
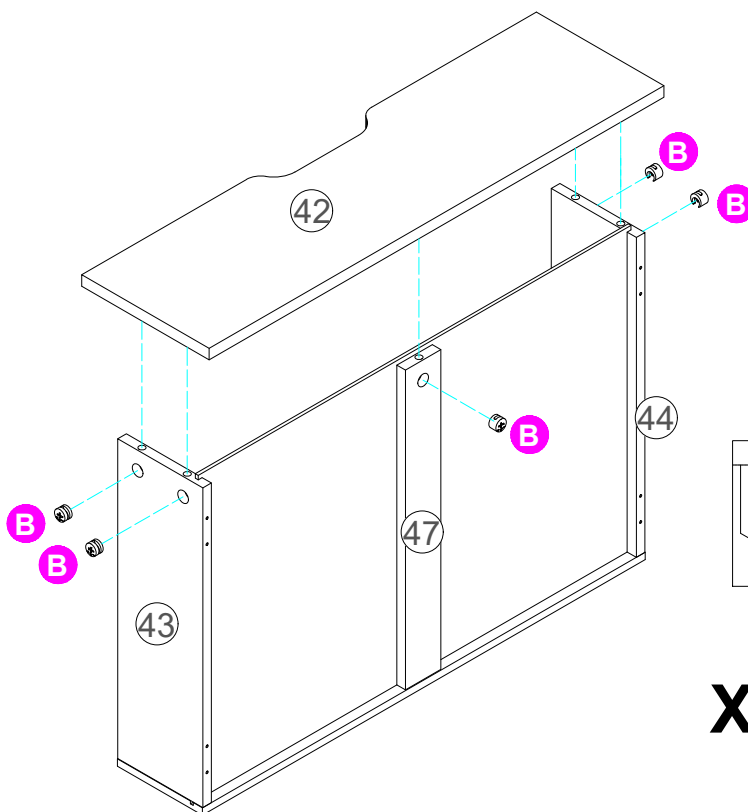
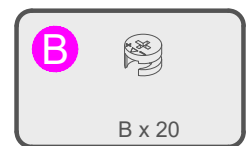
# Assembly Instructions

## Step 63



**X 4**

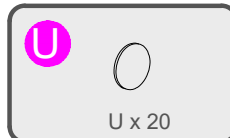
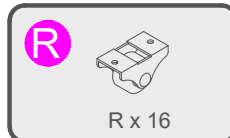
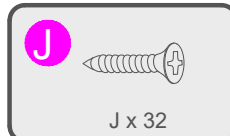
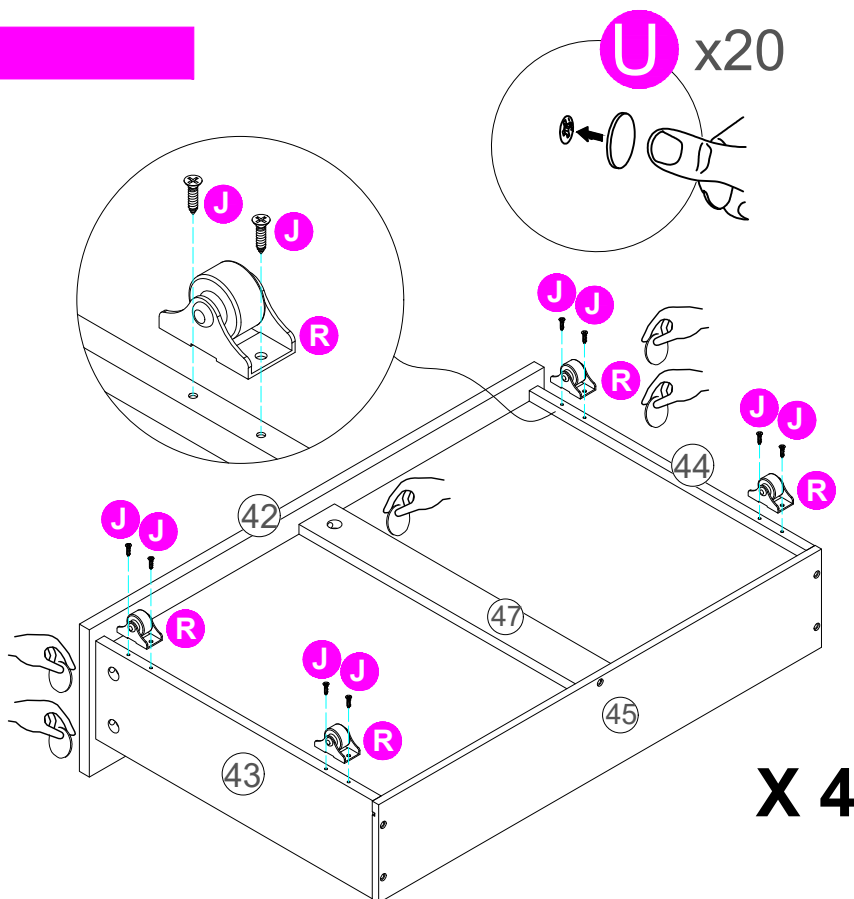
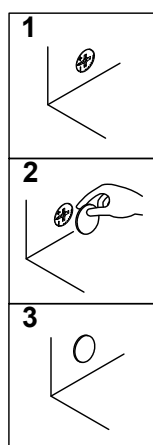
## Step 64



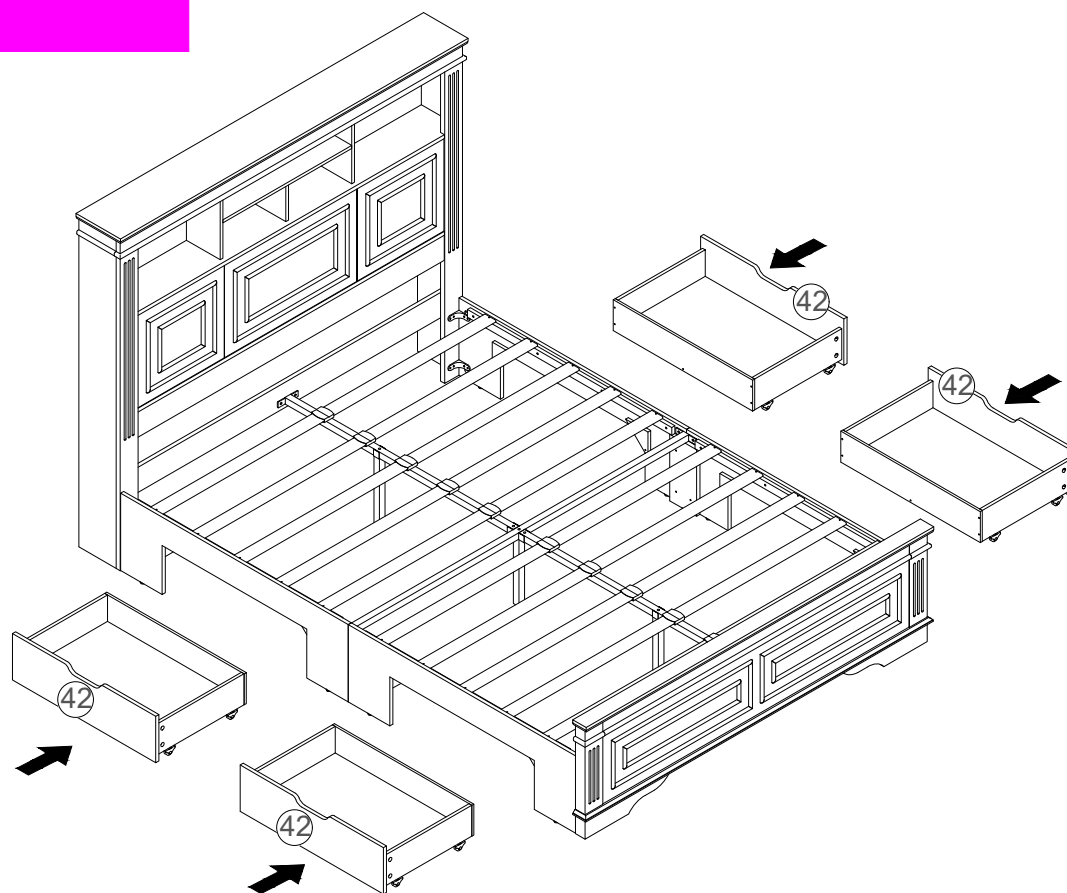
**X 4**

# Assembly Instructions

## Step 65

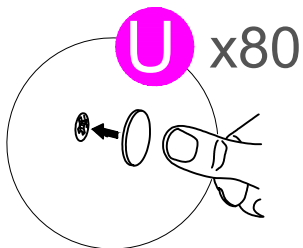
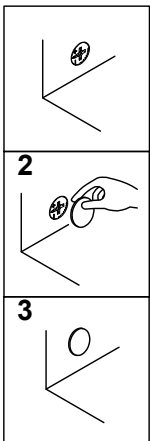
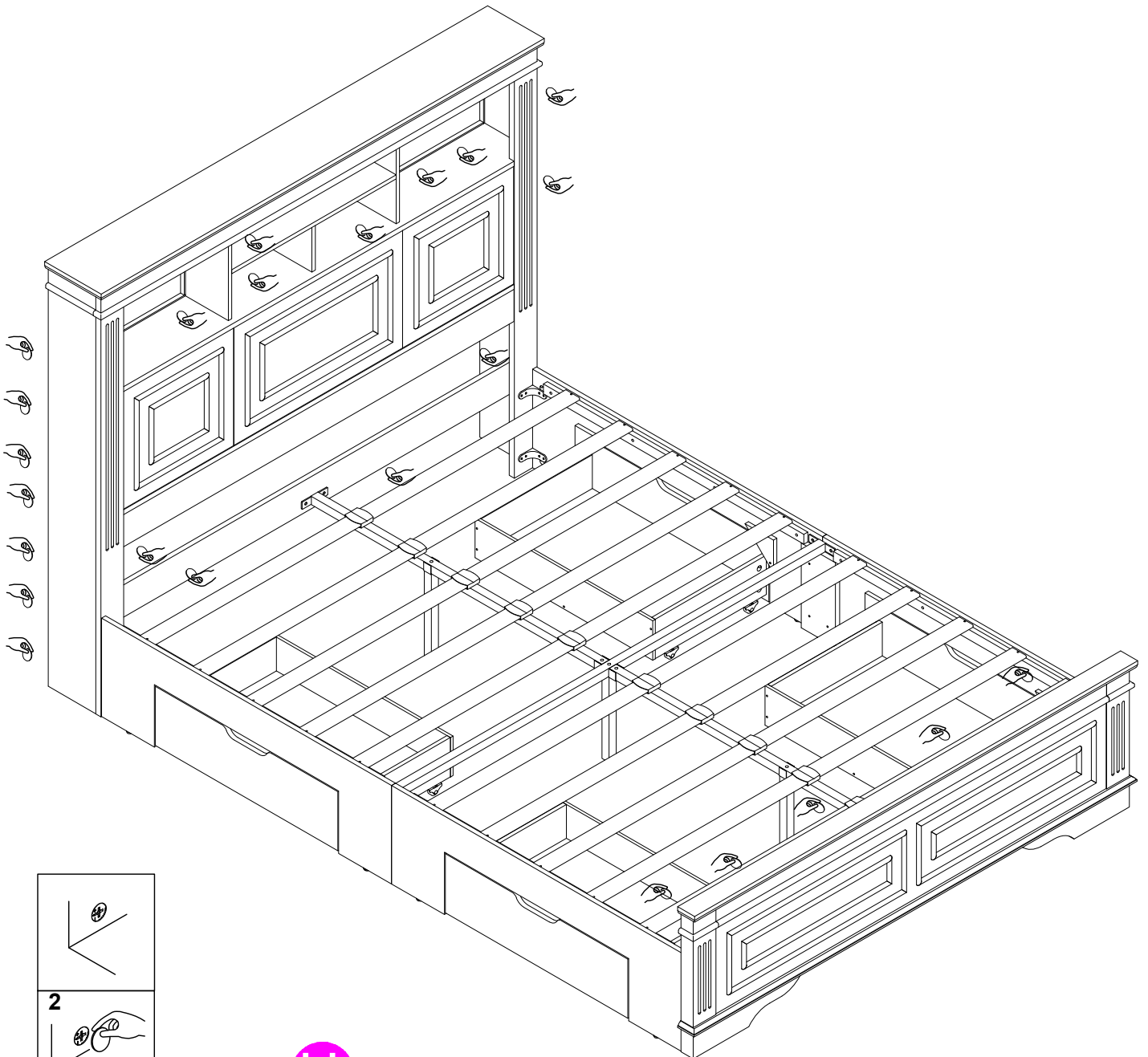
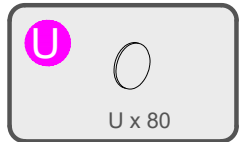


## Step 66

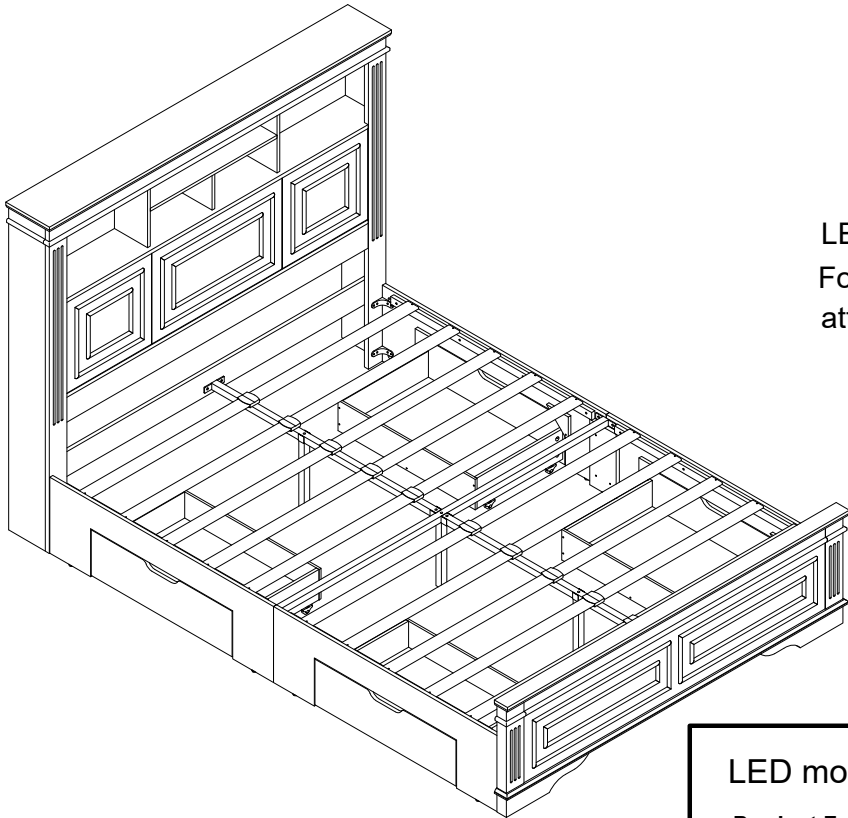


# Assembly Instructions

Step 67



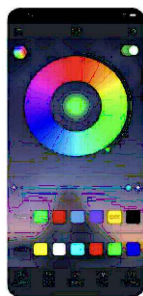
# Assembly Instructions



LED mobile phone Bluetooth controller  
For details, please see the  
attached below manual

## LED mobile phone Bluetooth controller

1. Connect LED color strip and controller,  
power on controller
2. Download APP:



3. Start APP, search and connect controller
4. Enjoy the Bluetooth wireless control experience

## LED mobile phone Bluetooth controller

### Product Features

.LED Bluetooth controller is directly via mobile phone control  
remote distance can reach 10m without the need to set up, easy to  
connect open the software within 5 seconds you can automatically  
connect the controller

.Flow the rhythm of the music changes

.Group control

.Brightness, speed addition and subtraction

.Maximum can be 5 meters RGB(W) strip

.The software shows that the text is based on the language of the  
mobile phone set up automatic transformation of Chinese and  
English

### Animation Effect:

.Colorful gradient

.All kinds of monochrome , double color gradient

.All kinds of monochrome, double color , colorfull flashing

.Colorful jump

.Follow the thythm of the music chagnes

### Product Paramters:

.Bluetooth: BLE V4 .2

.Input Voltage: 4.5-26V

.Working Temp: -25- 75°C