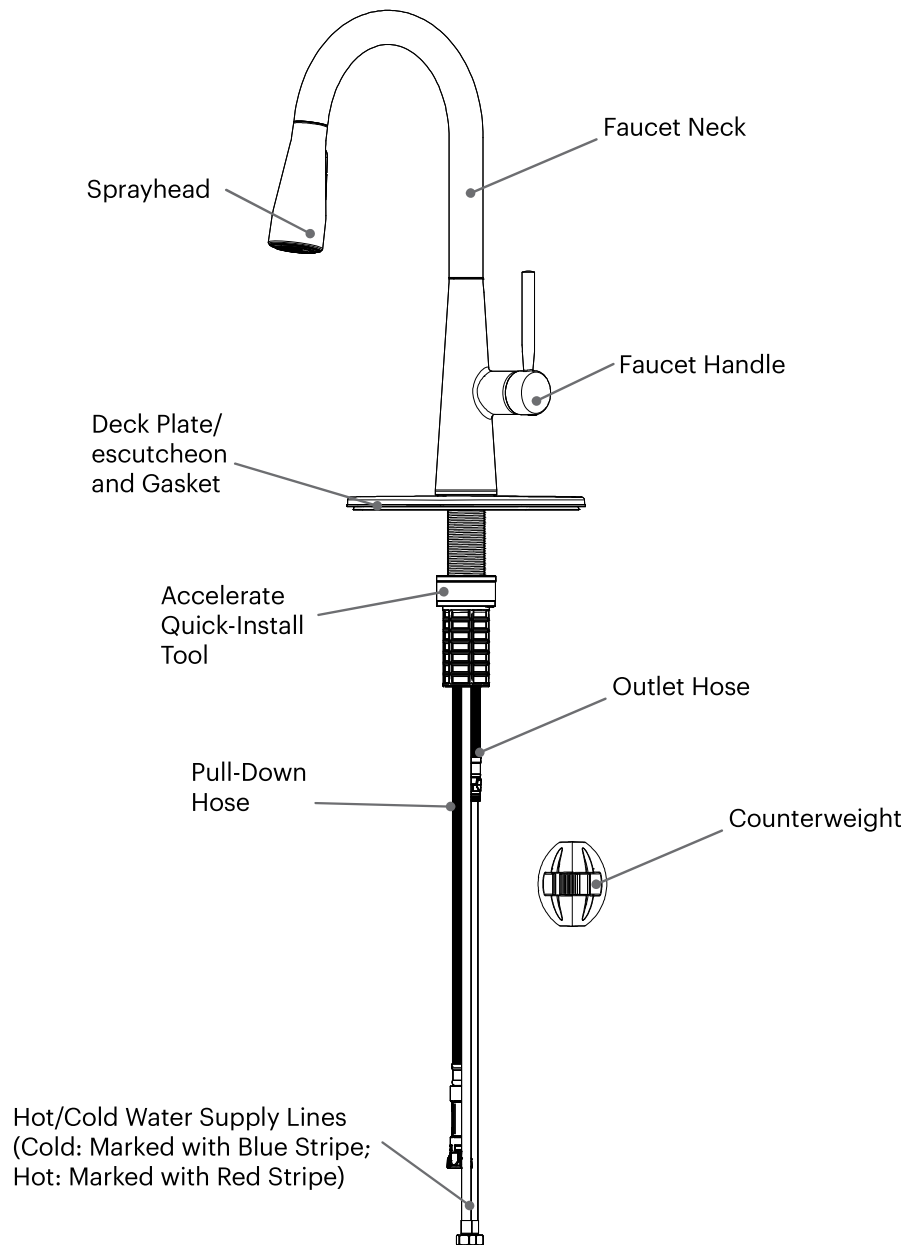
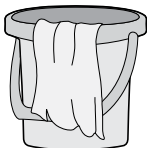


PRODUCT INFORMATION

Product Components



Helpful Tools (not included)



Bucket or Towel



Adjustable Wrench

PRODUCT INSTALLATION

Product Installation



Failure to read installation instructions may result in personal injury, product damage or product failure. Brondell assumes no responsibility for product failure due to improper installation.



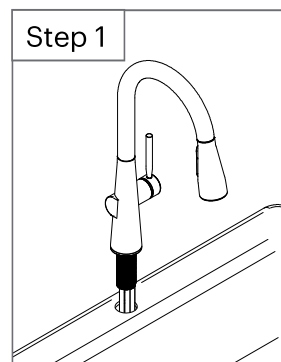
Before removing the existing faucet or replacing the cartridge valve, always turn off the water supply. After turning off the water supply, open the faucet handle to drain any remaining water and ensure the water is completely shut off.

NOTE: For all installations, install the faucet with the handle on the right side only.

Single-Hole Installation

NOTE: For single-hole installation, use of deck plate/escutcheon is optional.

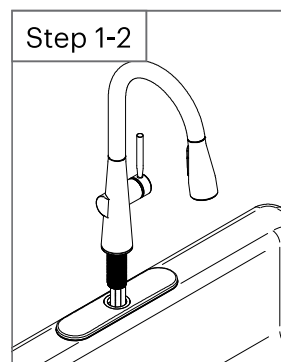
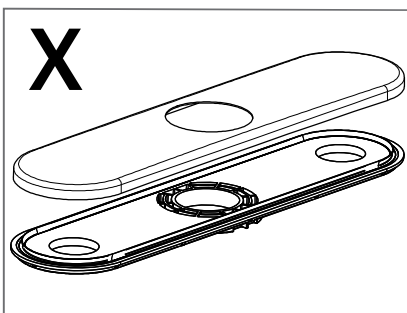
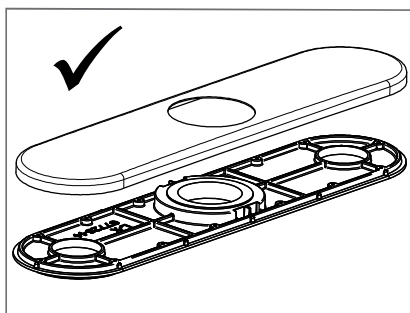
1. Thread water supply lines through the hole in the top of the sink/counter to insert the faucet. It may be easier to thread the supply lines individually rather than in a group.



Three-Hole Installation

1. Assemble the deck plate as shown and place it over the center hole of the sink/counter. Be sure the center hole is aligned with hole in the deck plate.
2. Thread the faucet's water supply lines through the center hole of deck plate. It may be easier to thread the supply lines individually rather than in a group.

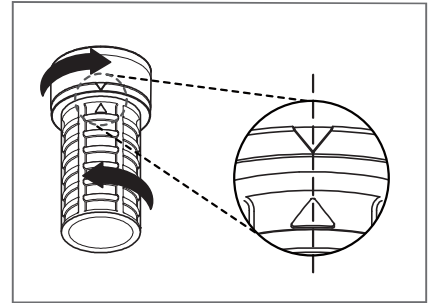
NOTE: When assembling the deck plate, make sure the raised side of the inner gasket is facing upwards as pictured below.



PRODUCT INSTALLATION

Accelerate Quick-Install Tool

NOTE: Before proceeding, be sure the arrows on the Accelerate Quick-Install Tool are aligned. When arrows are aligned, it is in the unlocked position.

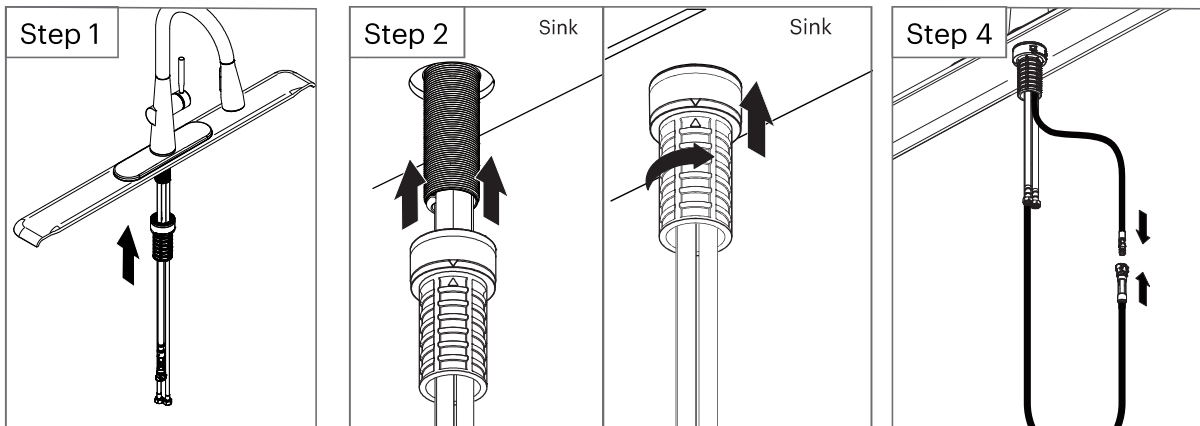


Attach the Accelerate Quick-Install Tool

1. Thread the water supply lines through the Accelerate Quick-Install Tool.
2. Push the Accelerate Quick-Install tool over the threads of the shank until it stops against the underside of the sink/counter, then turn clockwise to tighten until it is snug.
3. Check the faucet to make sure it is aligned in the correct position then continue to tighten the Accelerate Quick-Install Tool until the faucet is fully secure.

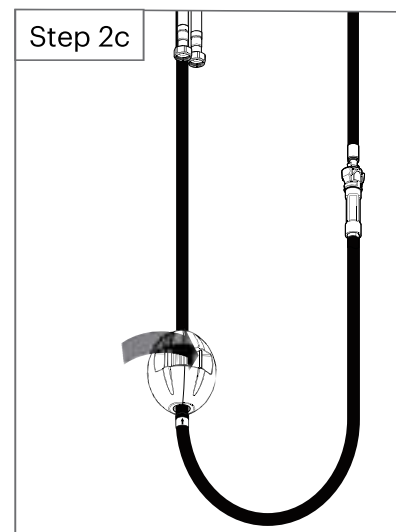
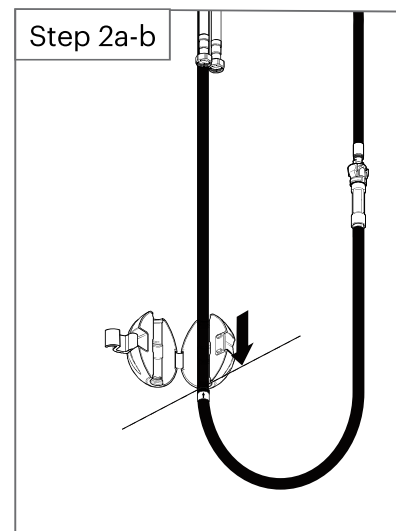
NOTE: It might be helpful to have someone hold the faucet from above while the Accelerate Quick-Install Tool is being tightened.

4. Connect the black pull-down hose to the black output hose with the blue connector. Push until you hear a click.



Counterweight Installation

1. Locate the counterweight placement mark on the pull-down hose.
2. Install the counterweight to the hose:
 - a. Unhook the latch of the counterweight to open.
 - b. Place the pull-down hose in the center groove of the counterweight. Ensure that the counterweight placement mark is aligned to the bottom of the counterweight.
 - c. Close and re-latch the counterweight to secure it to the pull-down hose.



Connecting the Water Supply Lines

Connecting the Water Supply Lines.

The hot water supply line has red stripes and the cold water supply line has blue stripes.

Connect the water supply line with red stripes to the hot water supply inlet and the water supply line with blue stripes to the cold water supply inlet.

1. Before connecting supply lines to the shut off valves:
 - a. Check the water supply lines to make sure the rubber gaskets are installed correctly. The rubber gaskets should fit snugly inside the hose connection.
 - b. Connect and tighten the water supply lines with a wrench.
NOTE: Be careful not to over-tighten the connections.
 - c. Turn on the water at the shut off valve and check for leaks.
2. Turn the hot and cold water on using the handle on the faucet. Flush supply lines for 1 min.
3. To ensure your pull-down hose is unobstructed and can move freely, we recommend the following:
 - a. Keep the area around the water supply lines and counterweight clear of any movable items such as bottles or cleaning supplies.
 - b. Regularly check to make sure the area around the water supply lines and counterweight is clear, allowing the water supply lines to move freely.

