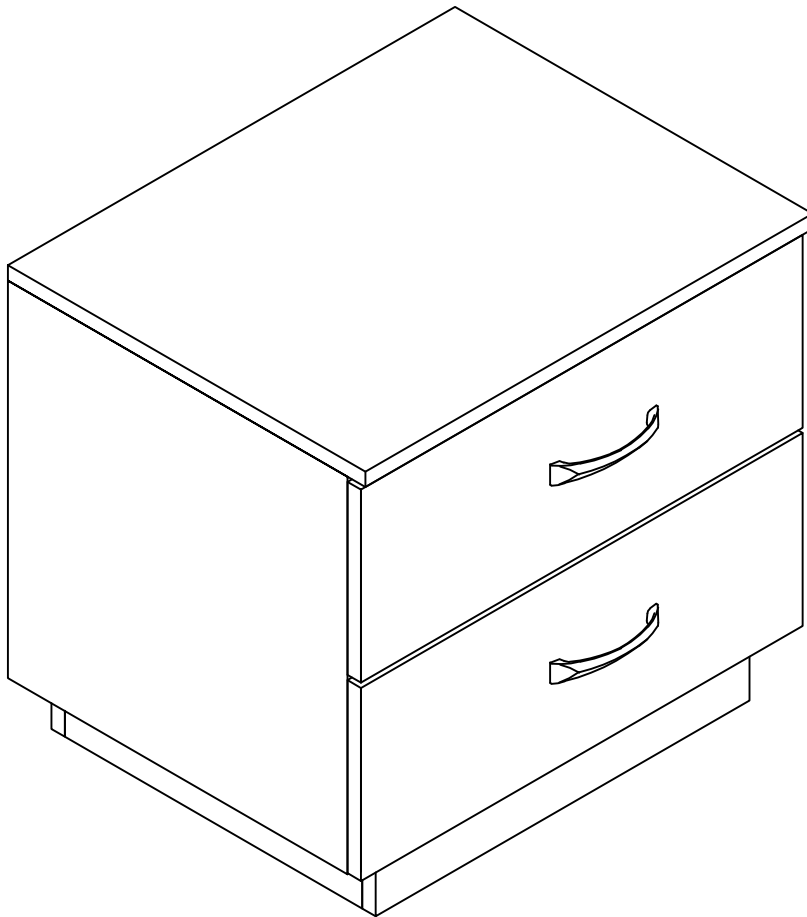


Night Stand

Assembly Instructions

Contains One Night Stand and Hardware



Night Stand
Contains One (1) Night Stand and Hardware

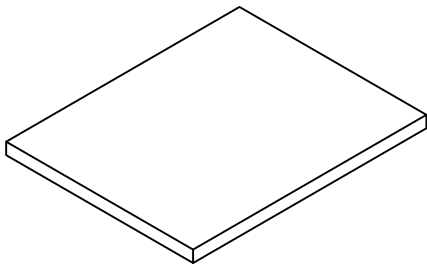
IMPORTANT NOTE:

Carefully remove all the parts from the box. Arrange on a flat surface and verify you have all of the following parts and hardware.
For customer support please call 314-993-2693.

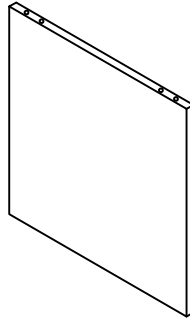
TOOLS REQUIRED:
-Phillips Screwdriver
-Hammer

PARTS LIST

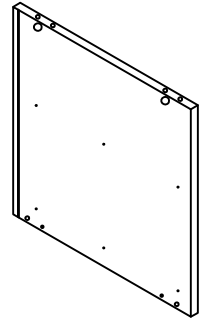
1.Top Panel (1 PC)



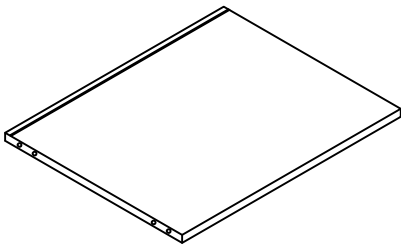
2.Left Side Panel (1 PC)



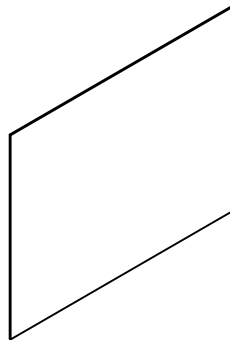
3.Right Side Panel (1 PC)



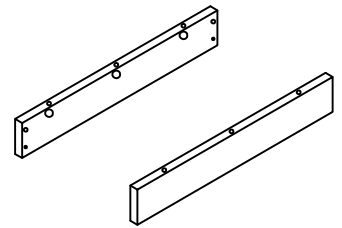
4.Bottom Panel (1 PC)



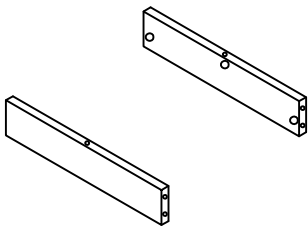
5.Back Panel (1 PC)



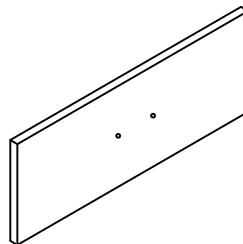
6.Front Bar Panel (2 PCS)



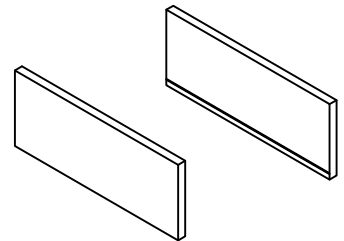
7.Side Bar Panel (2 PCS)



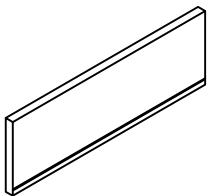
8.Drawer Front Panel (2 PCS)



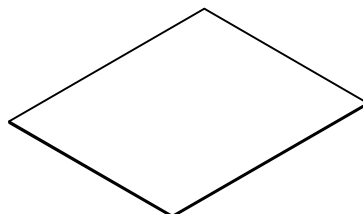
9.Drawer Side Panel (4 PC)



10.Drawer Back Panel (2 PCS)

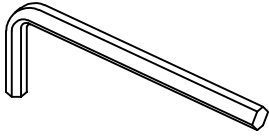


11.Drawer Bottom Panel (2 PCS)

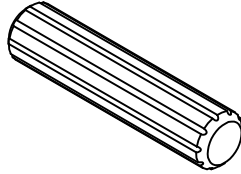


HARDWARE LIST

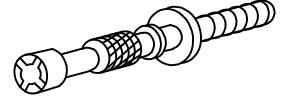
A.Allen Key (1 PC)



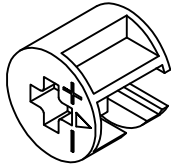
B.Dowel (12 PCS)



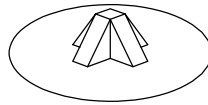
C.Minifix Bolt (20 PCS)



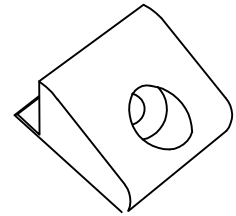
D.Minifix House (20 PCS)



E.Minifix Cap (20 PCS)



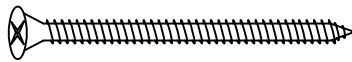
F.Stud (4 PCS)



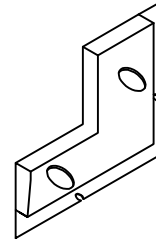
G.Screw 16mm (36 PCS)



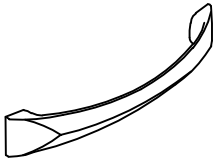
H.Screw 50mm (16 PCS)



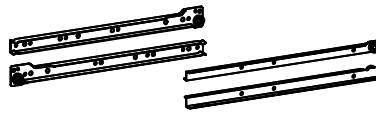
I.L Bracket (4 PCS)



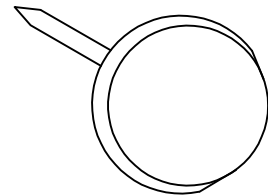
J.Handle (2 PCS)



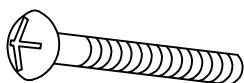
K.Drawer Slider (2 SET)



L.White Nail (4 PCS)



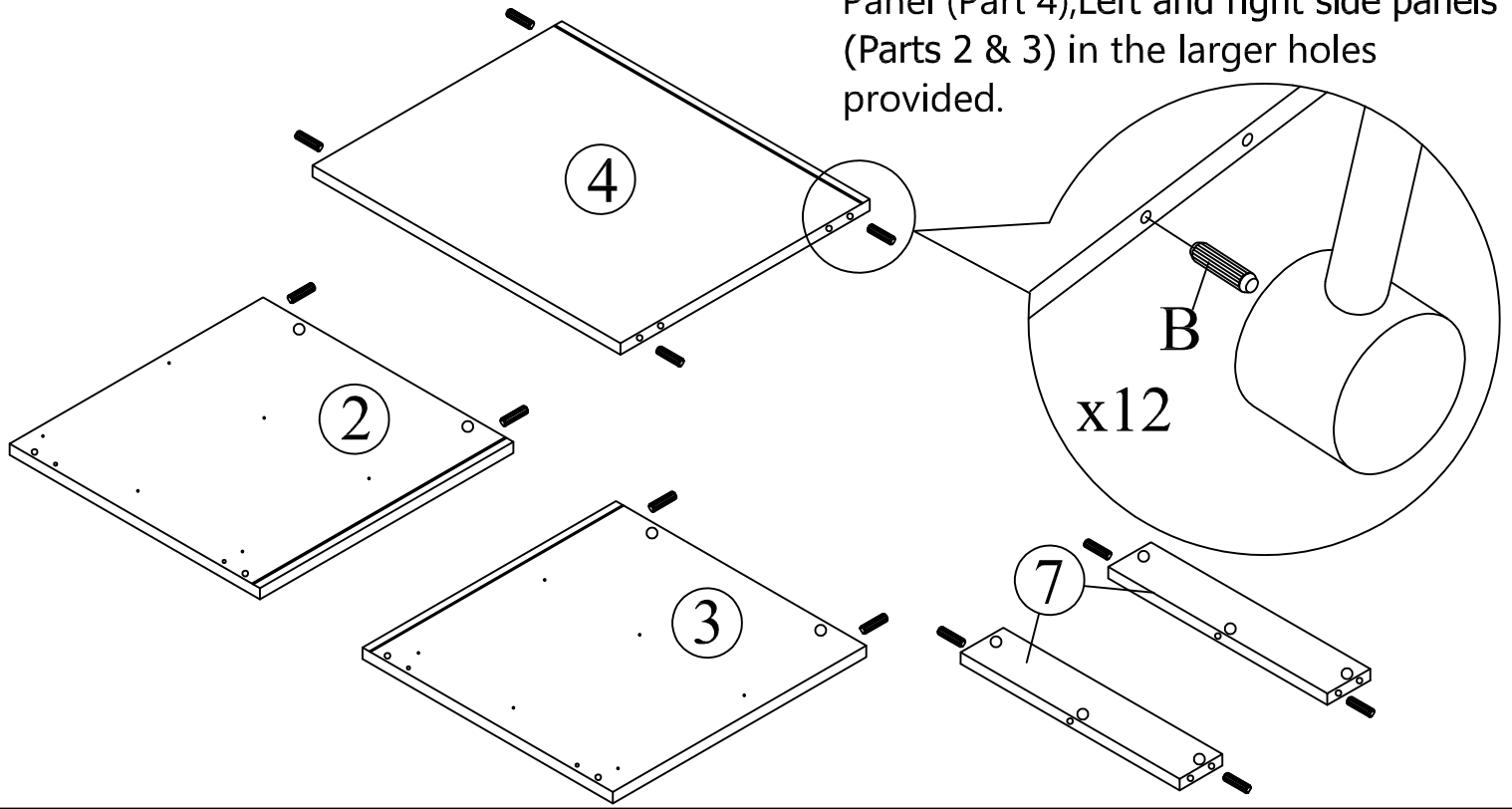
M.Handle Screw 40mm (4 PCS)



ASSEMBLY INSTRUCTIONS

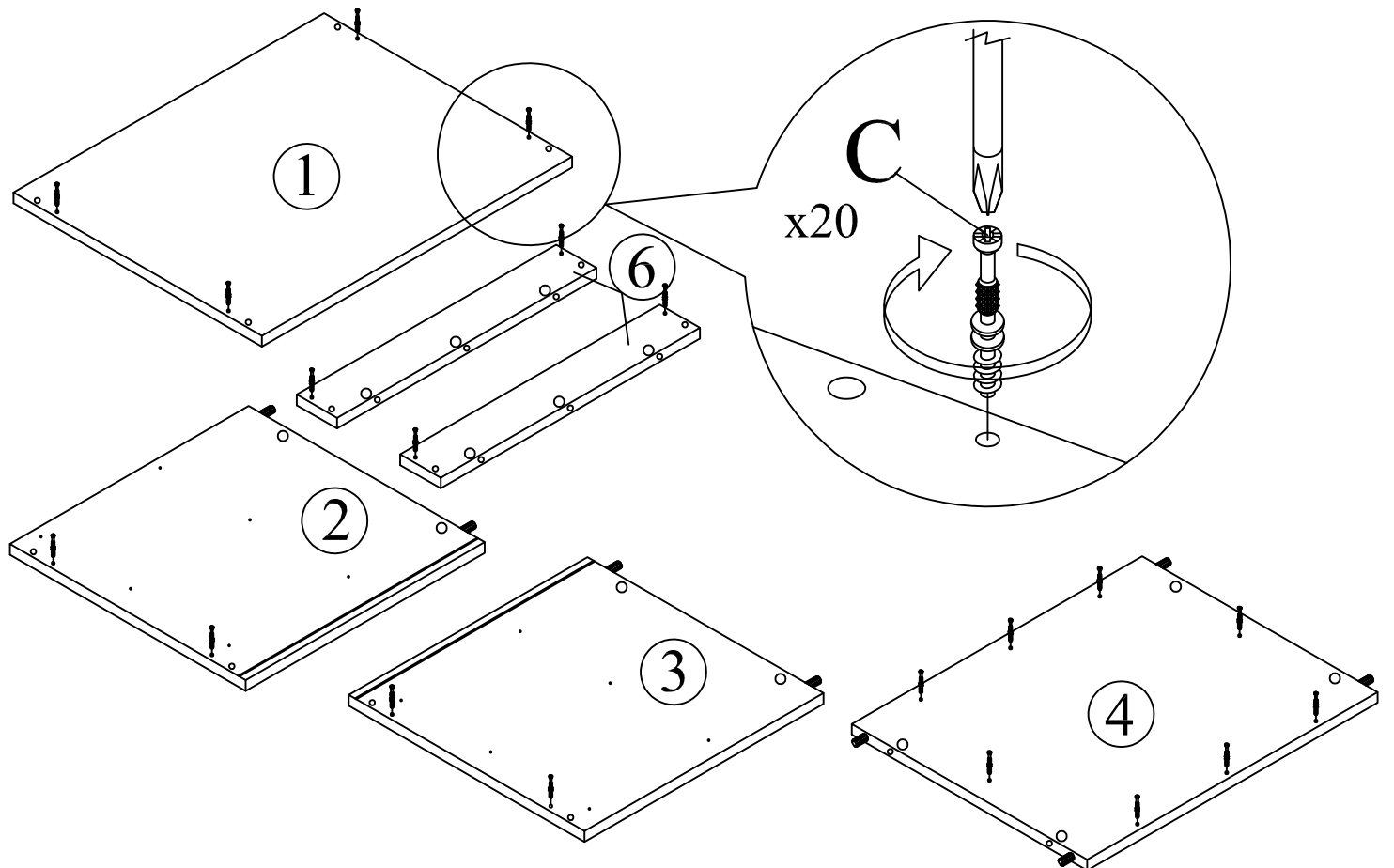
STEP 1

Tap Dowels (Part B) into the Bottom Panel (Part 4), Left and right side panels (Parts 2 & 3) in the larger holes provided.



STEP 2

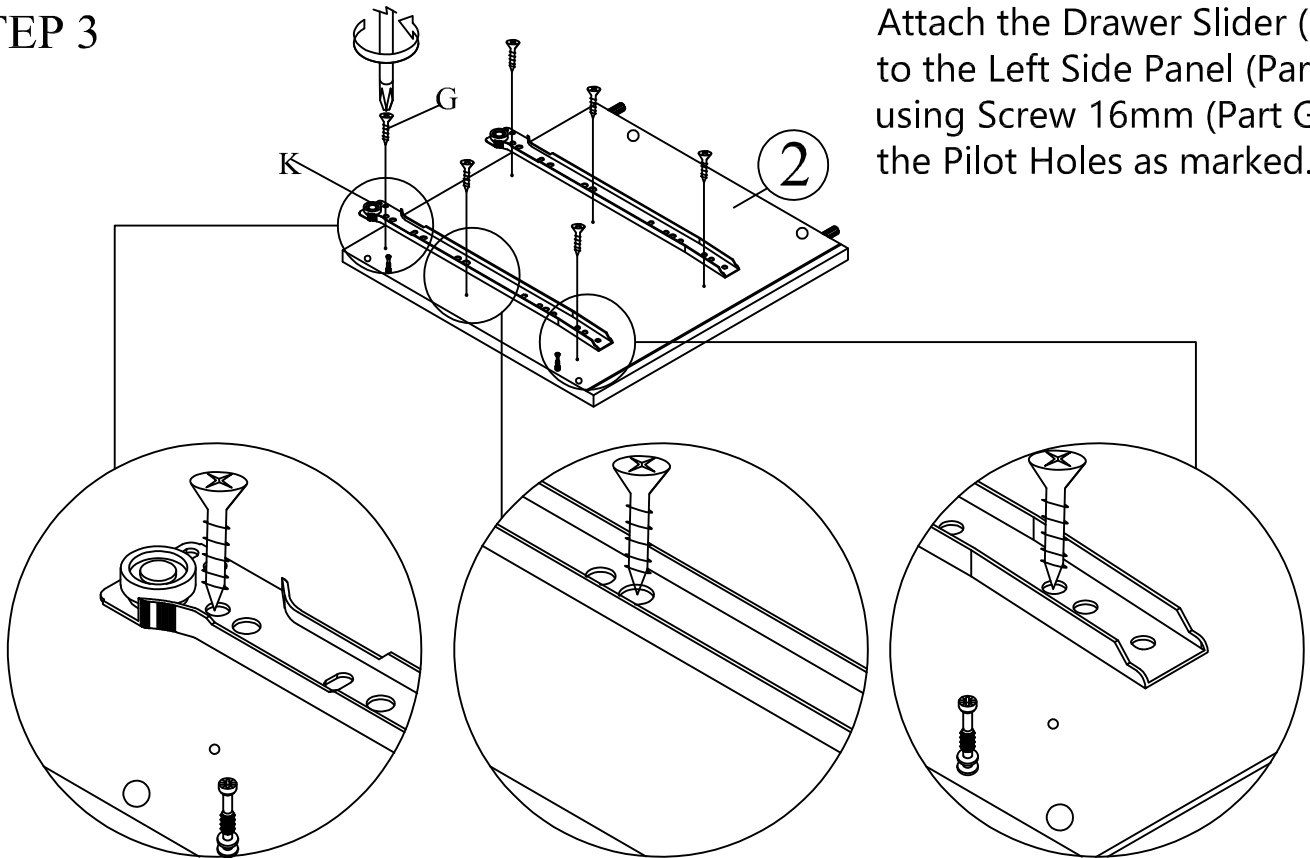
Using a Phillips Head Screwdriver, attach Minifix Bolts (Part C) to the Panels (Parts 1,2,3,4 and 6).



ASSEMBLY INSTRUCTIONS

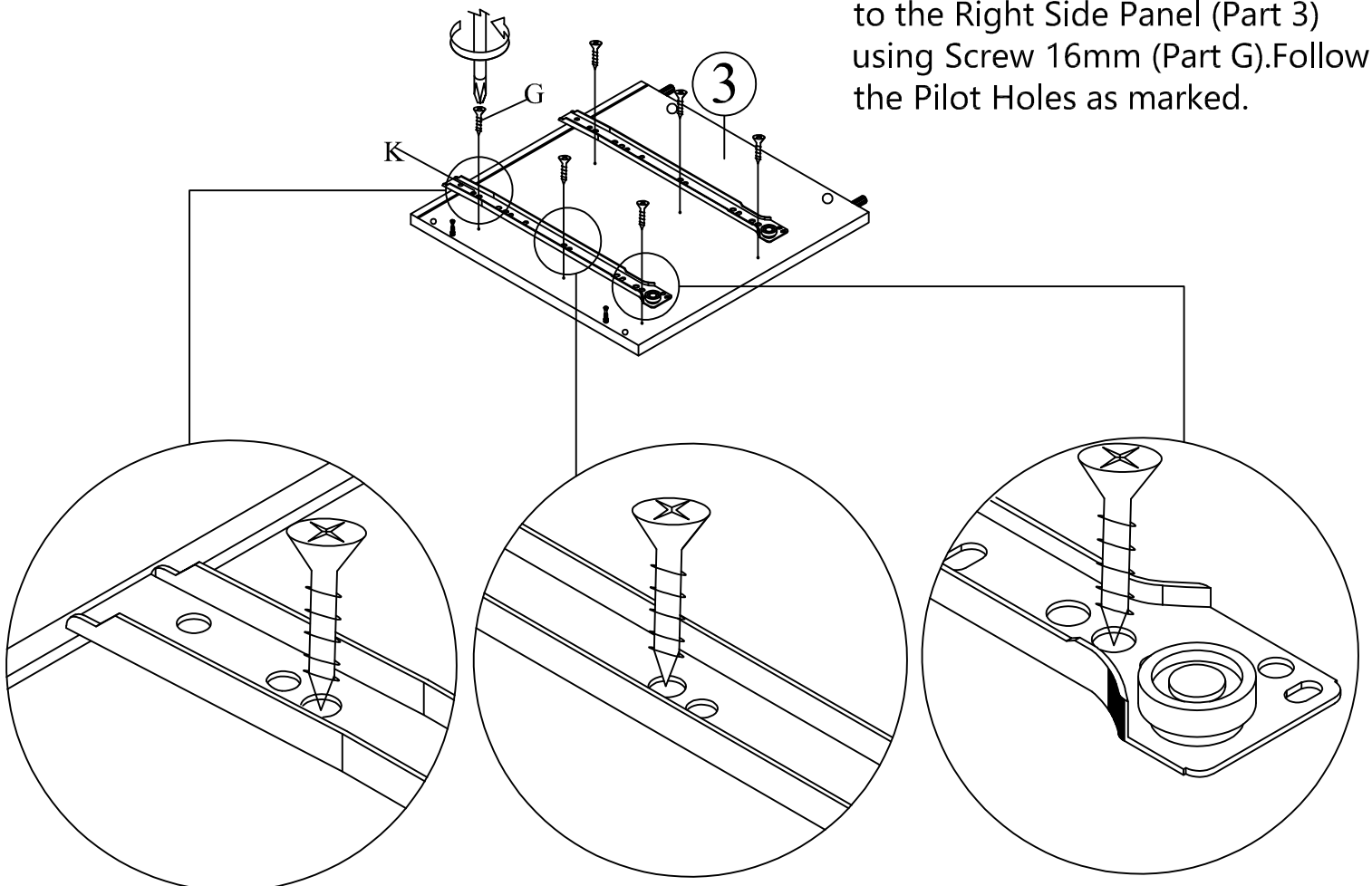
STEP 3

Attach the Drawer Slider (Part K) to the Left Side Panel (Part 2) using Screw 16mm (Part G). Follow the Pilot Holes as marked.



STEP 4

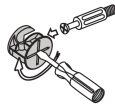
Attach the Drawer Slider (Part K) to the Right Side Panel (Part 3) using Screw 16mm (Part G). Follow the Pilot Holes as marked.



ASSEMBLY INSTRUCTIONS

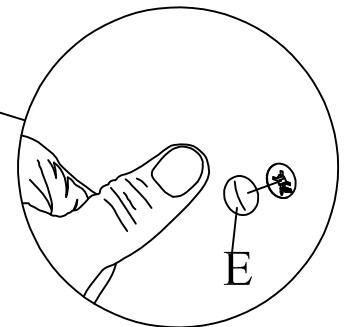
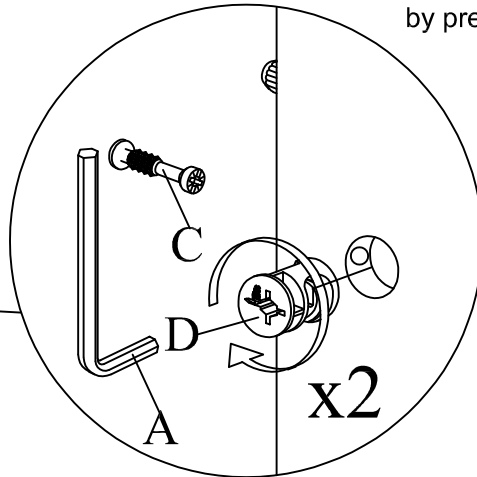
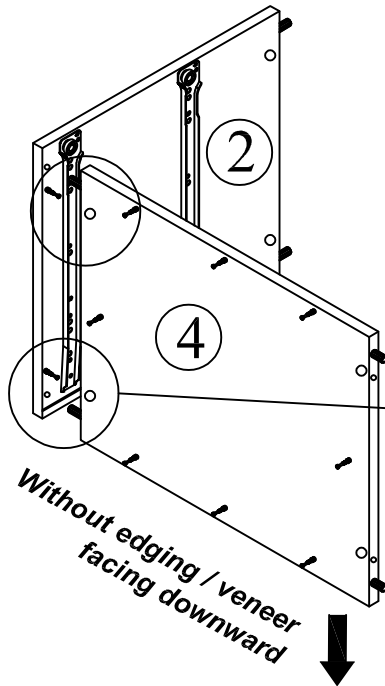
STEP 5

This is how a mini fix works...



The head of the mini fix housing goes into the open mouth of the mini fix bolt. You then turn the mini fix housing so it tightens over the mini fix bolt.

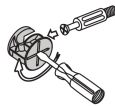
Insert the Minifix House (Part D) to the Bottom Panel (Part 4) and make sure the open side of the Minifix House (Part D) is facing the opening on the left and right bottom panels. Attached the Bottom Panel (Part 4) to the Left Side Panel (Part 2) as shown. Turn the Minifix House (Part D) to tighten using the Allen Key (Part A) or screwdriver. Cover the Minifix House using the Minifix Cap (Part E) by pressing it into the Minifix House.



**Attach Minifix Cap as shown.*

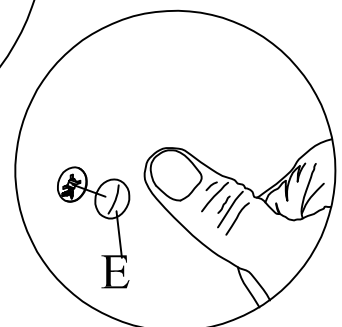
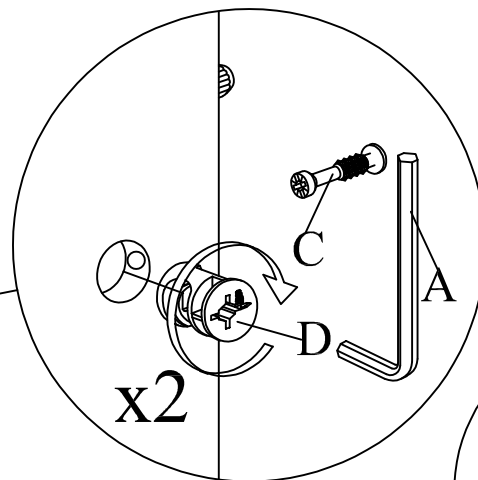
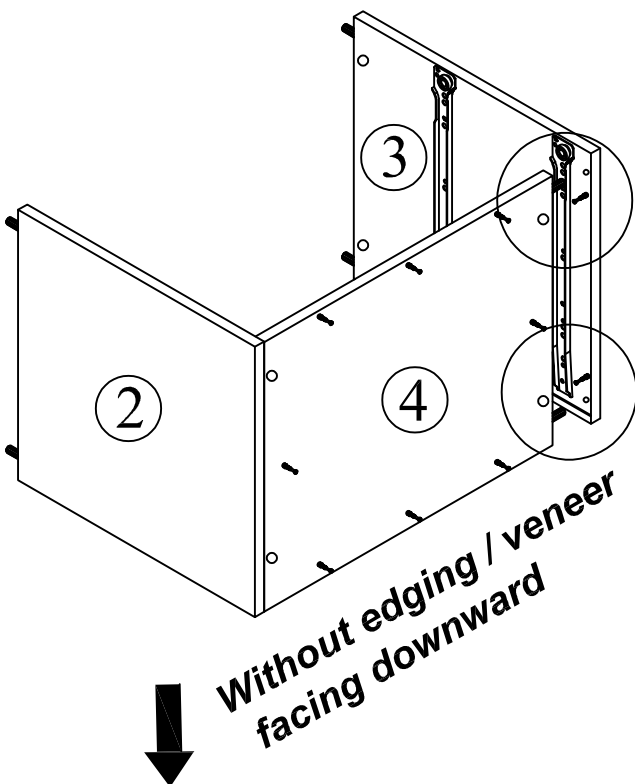
STEP 6

This is how a mini fix works...



The head of the mini fix housing goes into the open mouth of the mini fix bolt. You then turn the mini fix housing so it tightens over the mini fix bolt.

Attach the Bottom Panel (Part 4) to the Right Side Panel (Part 3) as shown. Turn the Minifix House (Part D) to tighten using the Allen Key (Part A) or screwdriver. Cover the Minifix House using the Minifix Cap (Part E) by pressing it into the Minifix House.

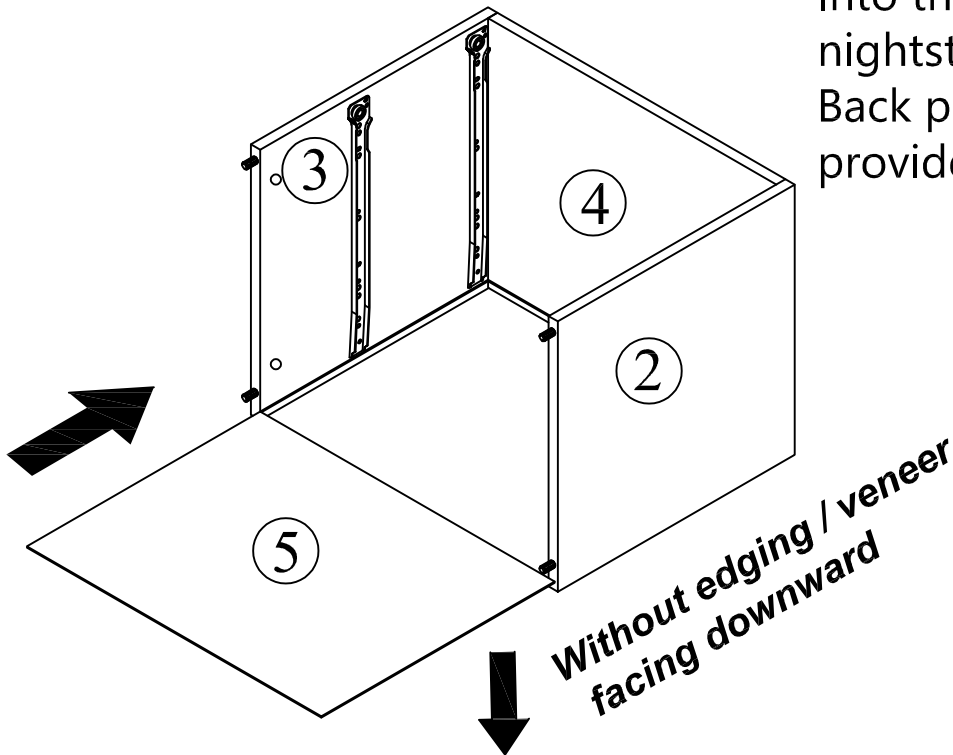


**Attach Minifix Cap as shown.*

ASSEMBLY INSTRUCTIONS

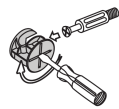
STEP 7

Insert the Back Panel (Part 5) into the back of the nightstand by sliding the Back panel into the slots provided.



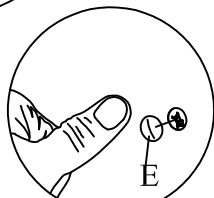
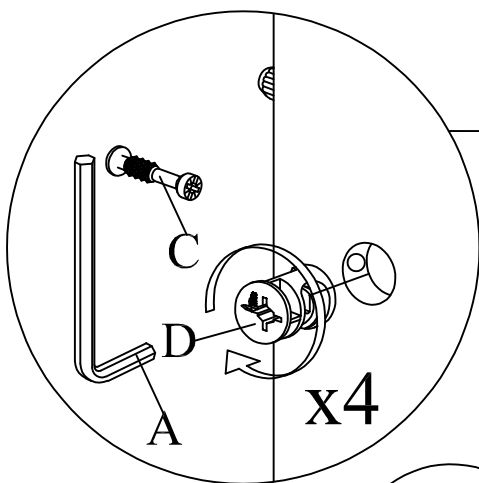
STEP 8

This is how a mini fix works...

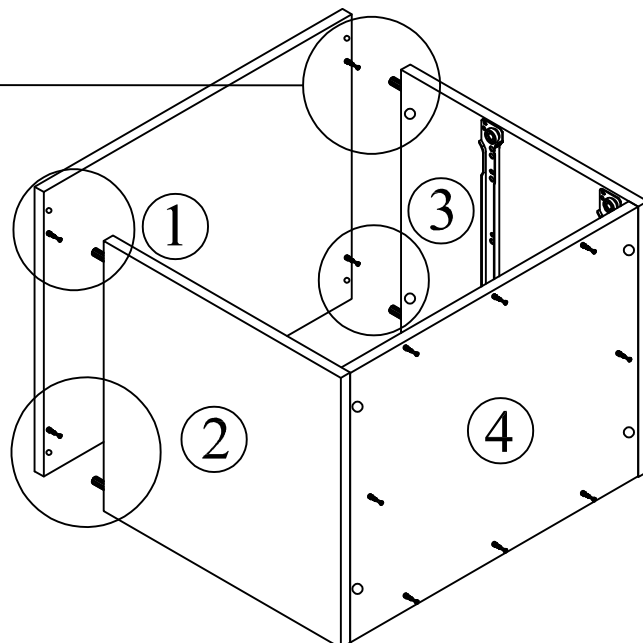


The head of the mini fix housing goes into the open mouth of the mini fix bolt. You then turn the mini fix housing so it tightens over the mini fix bolt.

Insert the Minifix House (Part D) to the Left and Right Side Panel (Part 2,3) and make sure the open side of the Minifix House (Part D) is facing the opening on the left and right panels. Attach the Top Panel (Part 1) to the Left and Right Side Panel (Part 2,3) as shown. Turn the Minifix House (Part D) to tighten using the Allen Key (Part A) or screwdriver. Cover the Minifix House using the Minifix Cap (Part E) by pressing it into the Minifix House.



*Attach Minifix Cap as shown.



ASSEMBLY INSTRUCTIONS

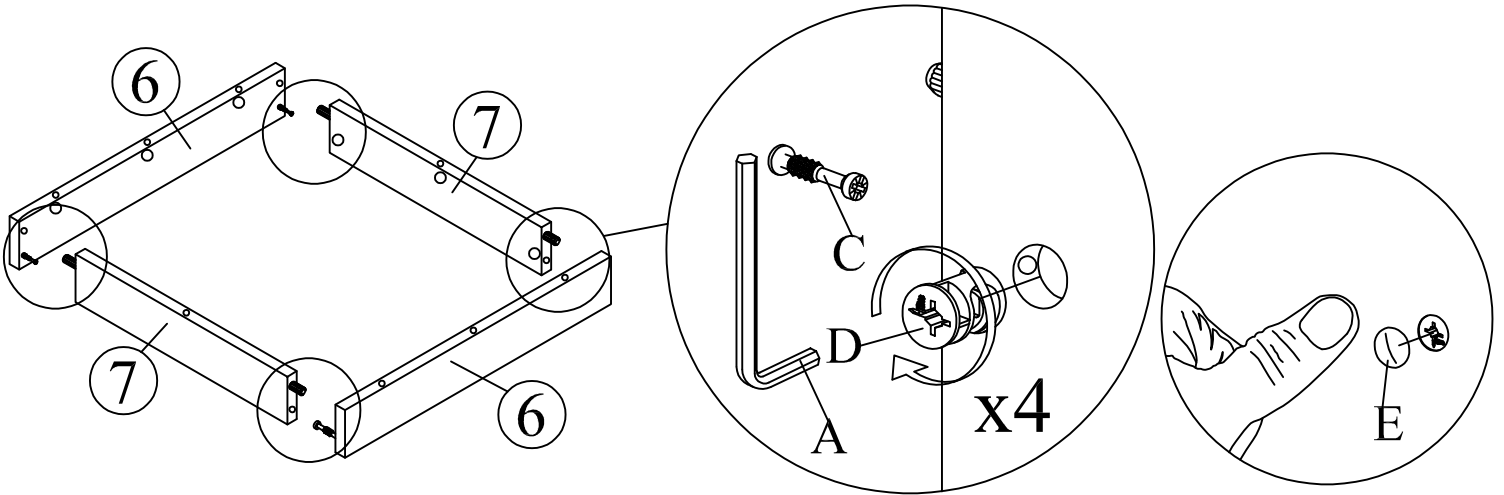
STEP 9

This is how a mini fix works...



The head of the mini fix housing goes into the open mouth of the mini fix bolt. You then turn the mini fix housing so it tightens over the mini fix bolt.

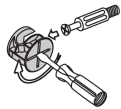
Insert the Minifix House (Part D) to the Front and Side Bar Panel (Part 6,7) and make sure the open side of the Minifix House (Part D) is facing the opening on the Front and Side Bar Panel (Part 6,7). Attach the Front Bar Panel (Part 6) to the Side Bar Panel (Part 7) as shown. Turn the Minifix House (Part D) to tighten using the Allen Key (Part A) or screwdriver. Cover the Minifix House using the Minifix Cap (Part E) by pressing it into the Minifix House.



**Attach Minifix Cap as shown.*

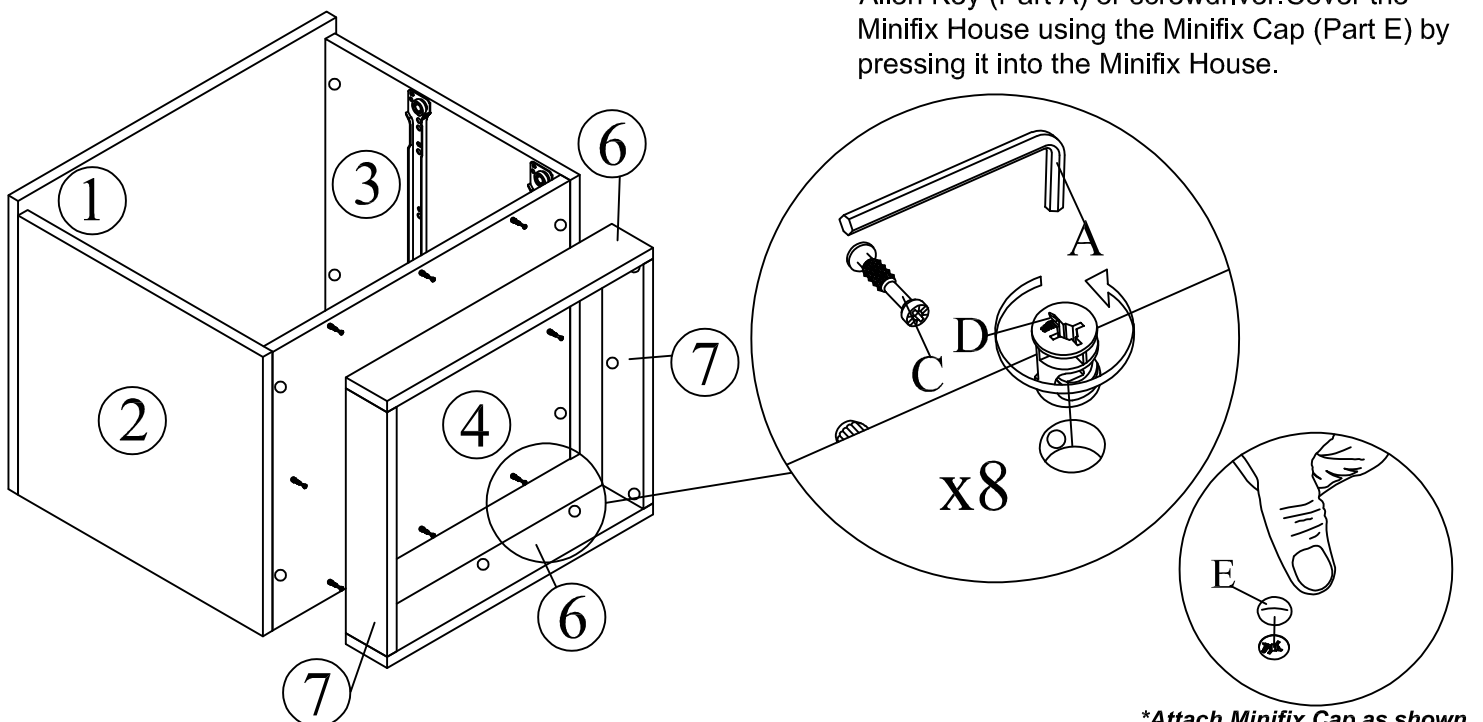
STEP 10

This is how a mini fix works...



The head of the mini fix housing goes into the open mouth of the mini fix bolt. You then turn the mini fix housing so it tightens over the mini fix bolt.

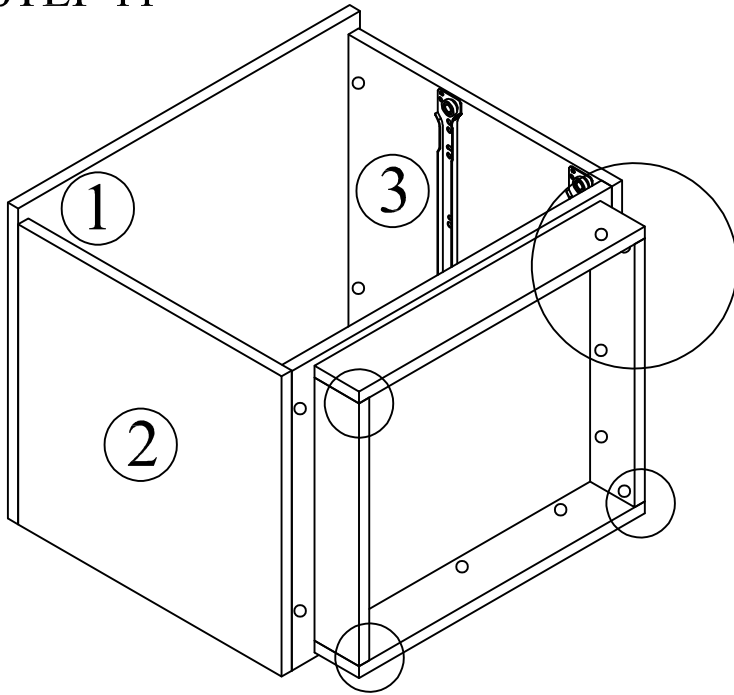
Insert the Minifix House (Part D) to the Front and Side Bar Panel (Part 6,7) and make sure the open side of the Minifix House (Part D) is facing the opening on the Front and Side Bar Panel (Part 6,7). Attach the Front and Side Bar Panel (Part 6,7) to the Bottom Panel (Part 4) as shown. Turn the Minifix House (Part D) to tighten using the Allen Key (Part A) or screwdriver. Cover the Minifix House using the Minifix Cap (Part E) by pressing it into the Minifix House.



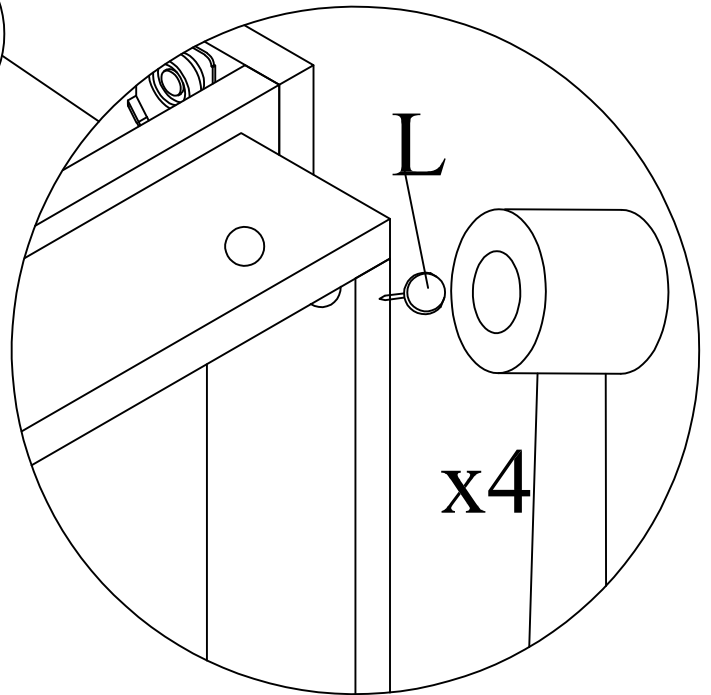
**Attach Minifix Cap as shown.*

ASSEMBLY INSTRUCTIONS

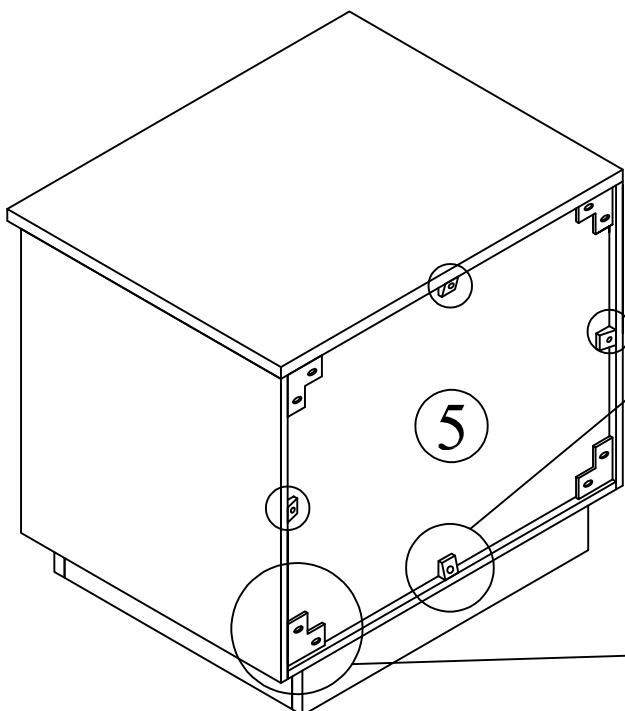
STEP 11



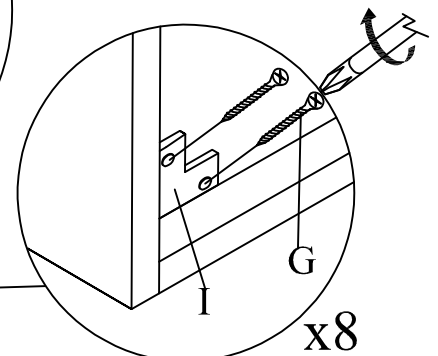
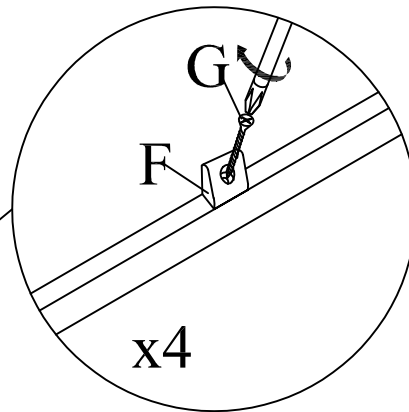
Attached White Nail (Part L) using a hammer. Gently tap the white nail securely.



STEP 12



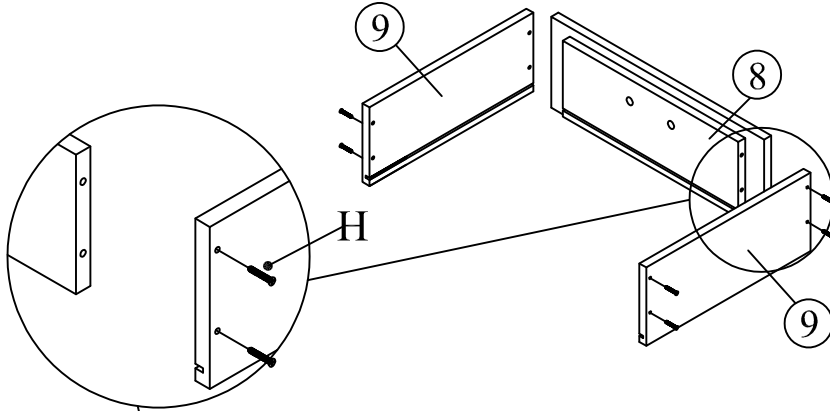
Attach L Bracket (Part I) to each corner of the Back panel (Part 5) using Screw 16mm (Part G) and a Phillip's screwdriver as shown. Attach Stud (Part F) to the Back Panel (Part 5) as shown using a Phillip's screwdriver.



ASSEMBLY INSTRUCTIONS

STEP 13

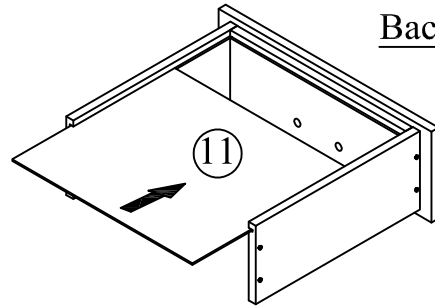
Step 13.1



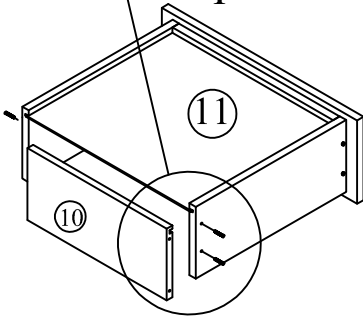
Attach the Drawer Side Panels (Part 9) to the Drawer Front Panel (Part 8) using Screw 50mm (Part H) and Phillips screwdriver. Insert the Drawer Bottom Panel (Part 11) as shown. Attach Drawer Back Panel (Part 10) using the Screw 50mm (Part H) and a Phillip's screwdriver as shown.

Step 13.2

Back View



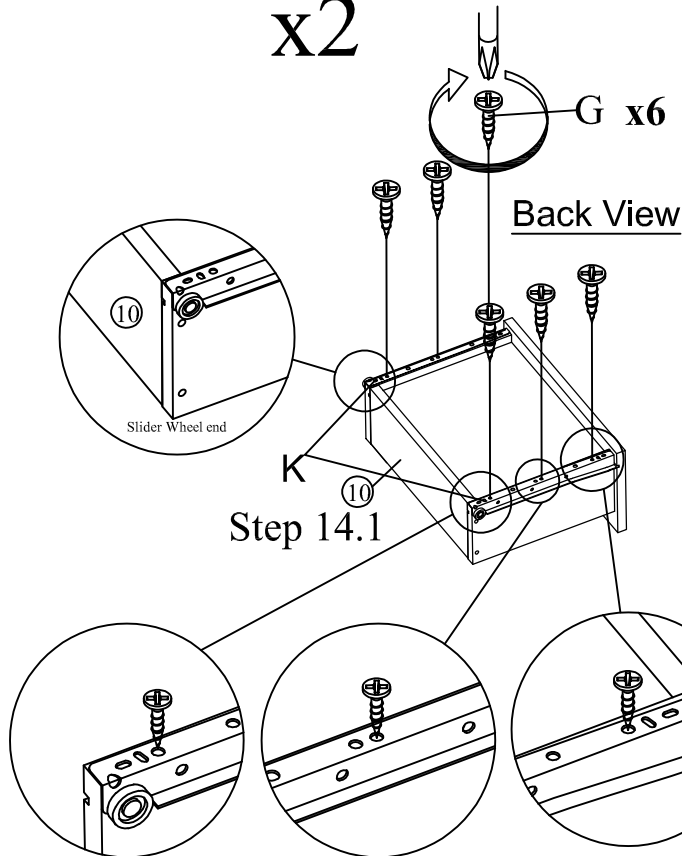
Step 13.3



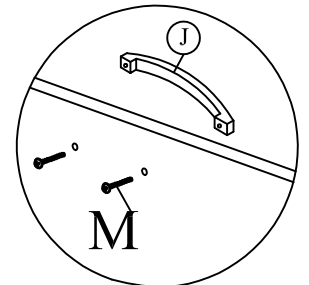
x2

STEP 14

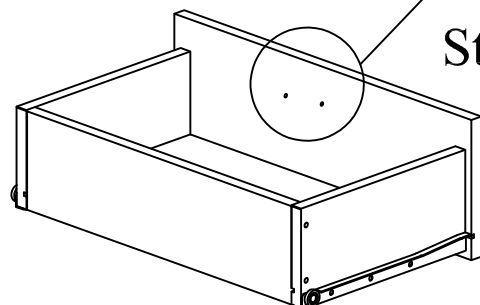
x2



Attach Drawer Slider (Part K) to the Drawer Side Panels (Part 9) using Screw 16mm (Part G) and a Phillip's screwdriver. Attach the Handle (Part J) to the Drawer Front Panel (Part 8) using Handle Screw 40mm (Part M) and a Phillips screwdriver. Tighten the screws.



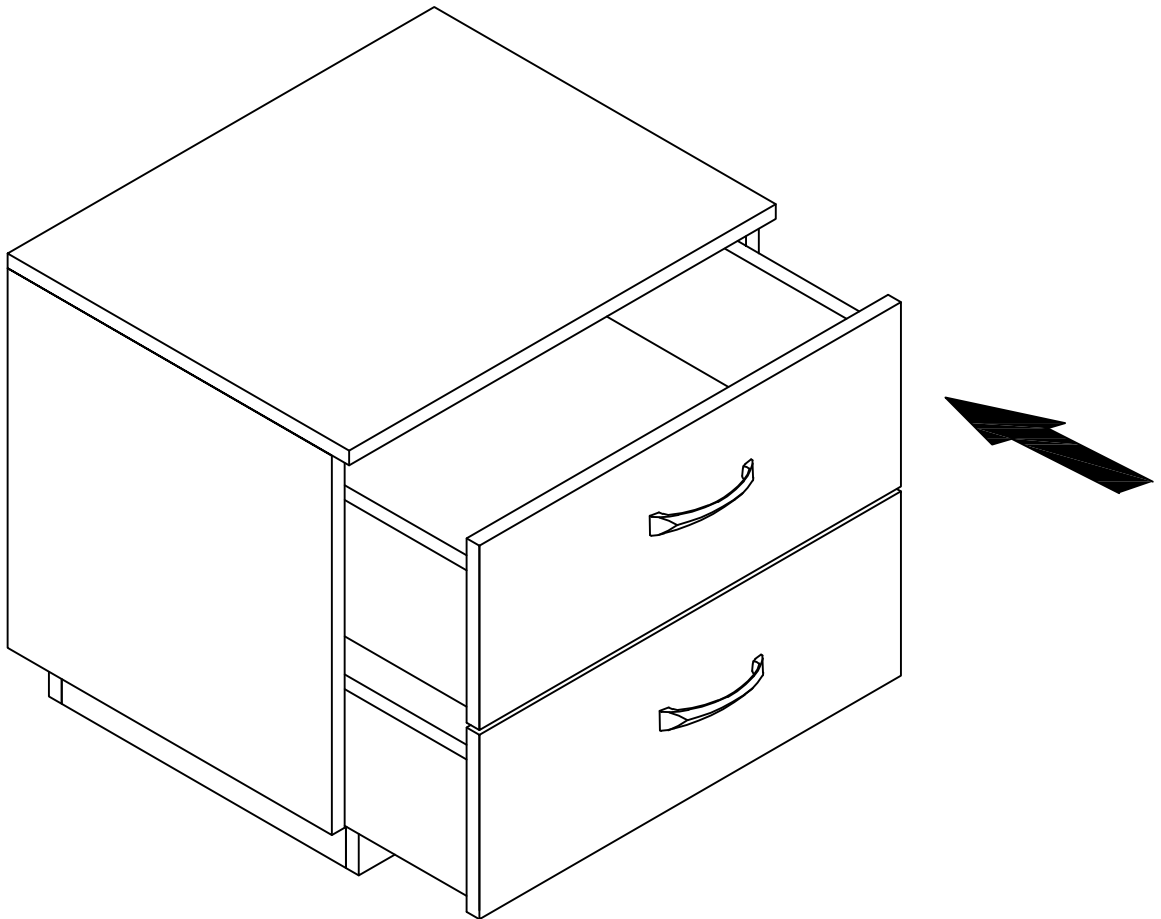
Step 14.2



Back View

ASSEMBLY INSTRUCTIONS

Insert the drawers into the nightstand.



ASSEMBLY INSTRUCTIONS

YOUR NIGHTSTAND IS NOW READY FOR USE

