

## NOTICE

\*Please make sure that you have all part indicated and they are in good condition before you begin assembly of this item. Refer to part list and hardware list below for guidance.

\*This item should be assembled on a soft surface to prevent scratching the finish during assembly.

\*This item may require periodic tightening.

\*If you are having difficulty, our friendly Customer Care team is always here to help.

## PREPARATION

\*Before beginning assembly of product, make sure all part are present. Compare part with part contents list and hardware contents list.

\*If any part is missing or damaged, do not attempt to assemble the product.

\*Estimated Assembly Time: 60 minutes.

\*Tools Required for Assembly (Not included): Screwdriver

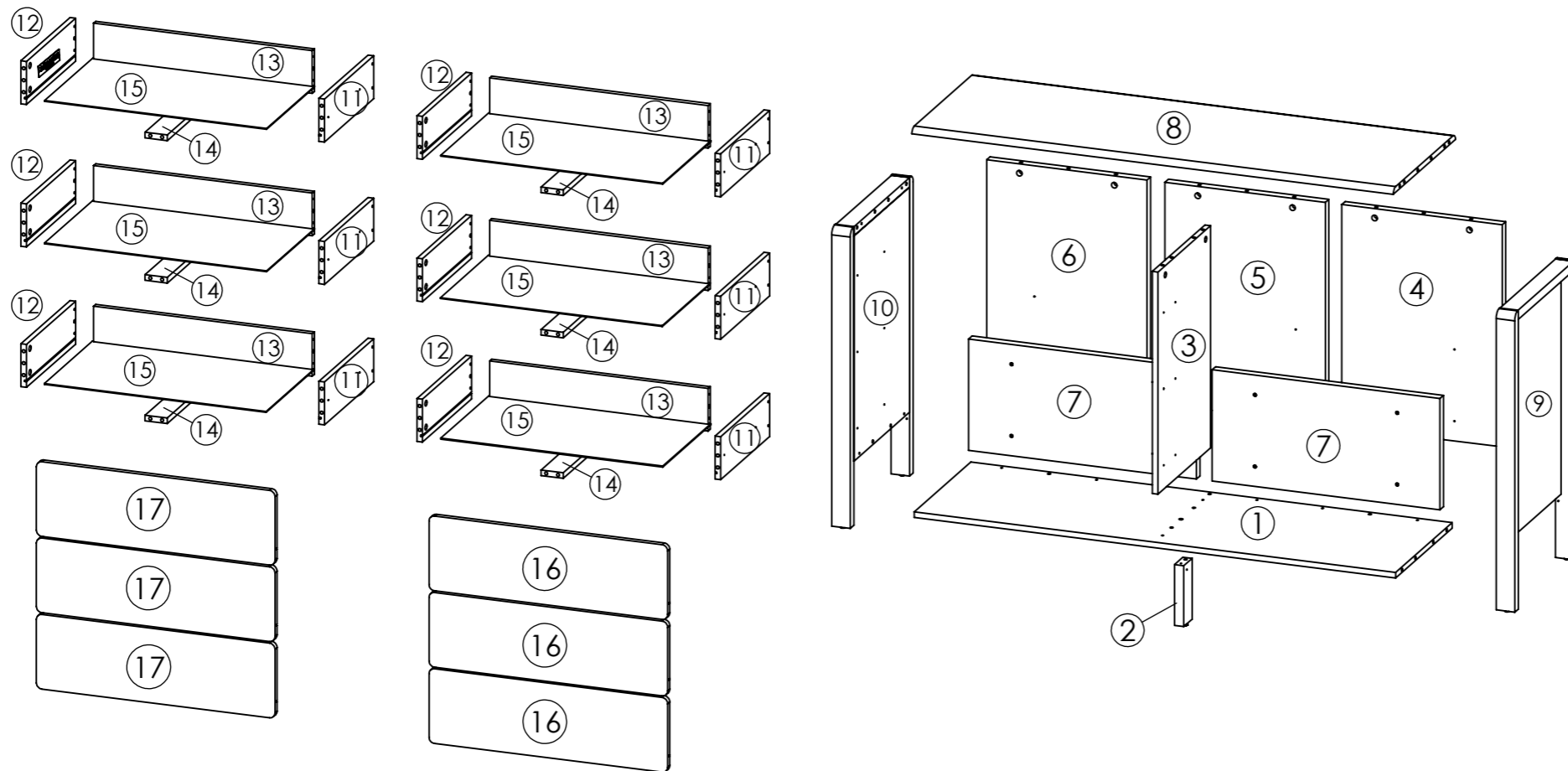
## CARE AND MAINTENANCE

Adhesive felt pads should always be applied to areas of furniture which make direct contact with flooring, said application will prevent damage to the furniture and or surfaces on which the furniture lies.

Objects placed on articles of furniture should rest on non abrasive material as to prevent damage to the wood finish. Objects whose composition consists of plastic and rubber are known to discolor and damage the wood surfaces on which they rest. Wipe up spills immediately and avoid common hazards such as hot dishes, harsh solvents and abrasives. Cleaning should be done with a soft lint free cotton cloth dampened with water or furniture polish. On highly used surfaces we recommend applying a quality paste wax which should be used on a regular basis to provide additional protection from scratches and spills.

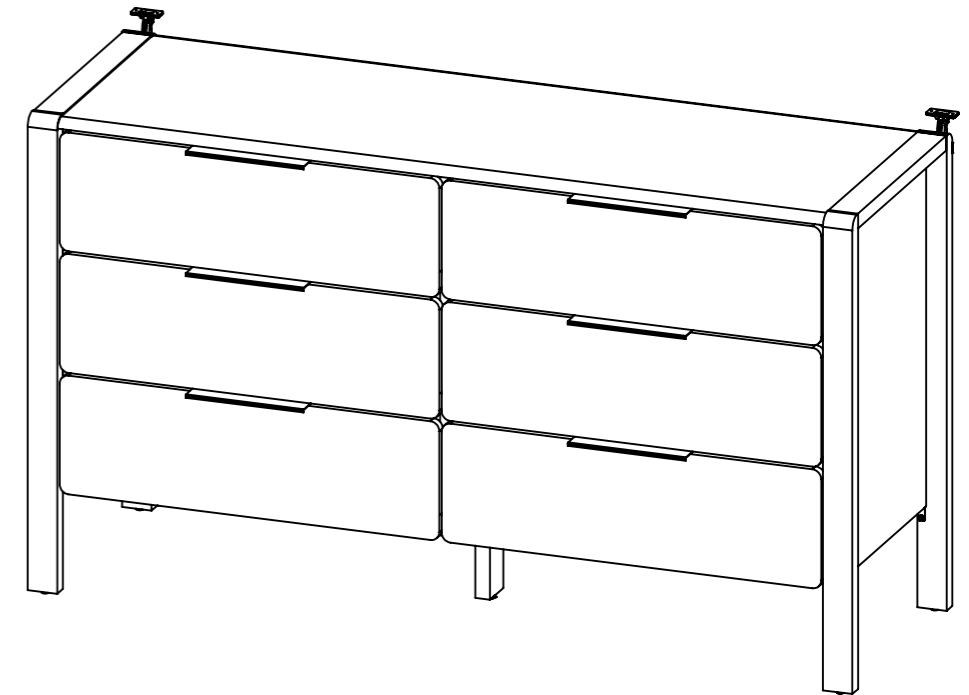
How often you apply the wax depends on how much wear the furniture receives





## Part List



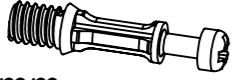
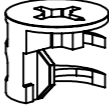

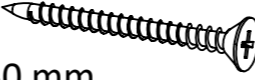

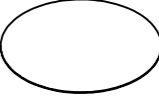
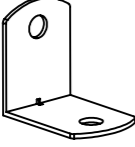

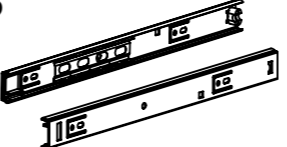
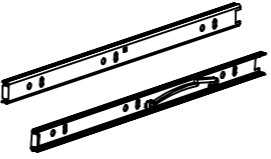
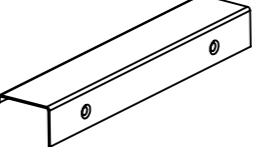

# OWNER MANUAL


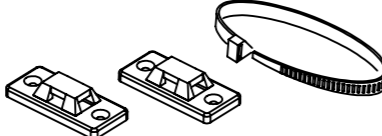


Product Dimensions: W 55.08" x D 17.68" x H 31.69"



 <b>WARNING</b>	
<b>WIGHT CAPACITY</b>	
Top load Limit: 60 lbs	
Drawer load Limit: 10 lbs	
 <b>WARNING</b>	
 	<b>Children have died from furniture tipover. To reduce the risk of furniture tipover:</b> <ul style="list-style-type: none"><li>-ALWAYS install Anti-tip device provided.</li><li>-NEVER put a TV on this product.</li><li>-NEVER allow children to stand, climb or hang on drawers, doors, or shelves.</li><li>-NEVER open more than one drawer at a time.</li><li>-Place heaviest items in the lowest drawers.</li></ul> <p><i>This is a permanent label. Do not remove!</i></p>

## Hardware List

<p>HW1x46</p>  <p>Ø6x32 mm</p>	<p>HW2x46</p>  <p>Ø15x12 mm</p>	<p>HW3x59</p>  <p>Ø8x32 mm</p>	<p>HW4x9</p>  <p>Ø6x50 mm</p>	<p>HW5x38</p>  <p>Ø7x32 mm</p>	<p>HW7x30</p>  <p>Ø20mm OAK</p>
<p>HW8x2</p> 	<p>HW9x52</p>  <p>Ø6x12 mm (PH)</p>	<p>HW10x6</p>  <p>300mm</p>	<p>HW11x6</p>  <p>300mm</p>	<p>HW12x6</p>  <p>200mm</p>	<p>HW16x12</p>  <p>Ø6x12 mm</p>

Anti-tip Restraint Pack	
<p>HW6x4</p>  <p>Ø6x15 mm</p>	<p>HW13x2</p> 
<p>HW14x4</p>  <p>Ø8x35 mm</p>	<p>HW15x4</p>  <p>Ø10x50 mm</p>

## Part List & HW

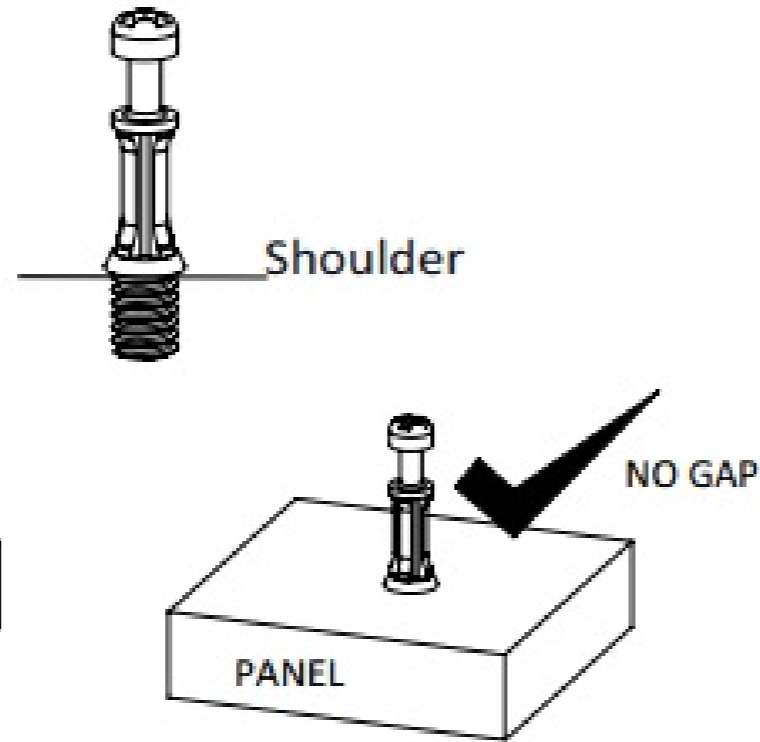
Piece	Description	Qty	Carton Call
1	Bottom Panel	1	1 of 2
2	Center Leg	1	2 of 2
3	Center Panel	1	2 of 2
4	Back Panel Right	1	1 of 2
5	Back Panel Center	1	1 of 2
6	Back Panel Left	1	1 of 2
7	Back Panel Support	2	1 of 2
8	Top Panel	1	1 of 2
9	Side Panel Right	1	2 of 2
10	Side Panel Left	1	2 of 2
11	Side drawer Right	6	2 of 2
12	Side drawer Left	6	2 of 2
13	Drawer Back	6	2 of 2
14	Drawer Base Support	6	2 of 2
15	Drawer Base	6	2 of 2
16	Front Drawer Right	3	2 of 2
17	Front Drawer Left	3	2 of 2

Piece	Description	Qty	Carton Call
HW1	Cambolt	46	1 of 2
HW2	Camlock Big	46	1 of 2
HW3	Wooden Dowel	59	1 of 2
HW4	Screw M6 x 50 mm	9	1 of 2
HW5	Screw M7 x 32 mm	38	1 of 2
HW6	Screw M6 x 15 mm	4	1 of 2
HW7	Cover Cap Sticker	30	1 of 2
HW8	Plate L	2	1 of 2
HW9	Screw M6 x 12 mm (PH)	52	1 of 2
HW10	Metal Runner 1	6	1 of 2
HW11	Metal Runner 2	6	1 of 2
HW12	Handle	6	1 of 2
HW13	Anti-tip	2	1 of 2
HW14	M8 x 35 mm PLUG	4	1 of 2
HW15	Screw M10 x 50 mm	4	1 of 2
HW16	Screw M6 x 12 mm	12	1 of 2

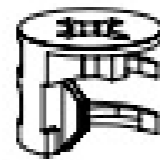
## Special Tips for Fitting Minifix Cam ( Cam-Lock ), and Minifix Bolt ( Cam-Bolts )

### CAM-BOLT

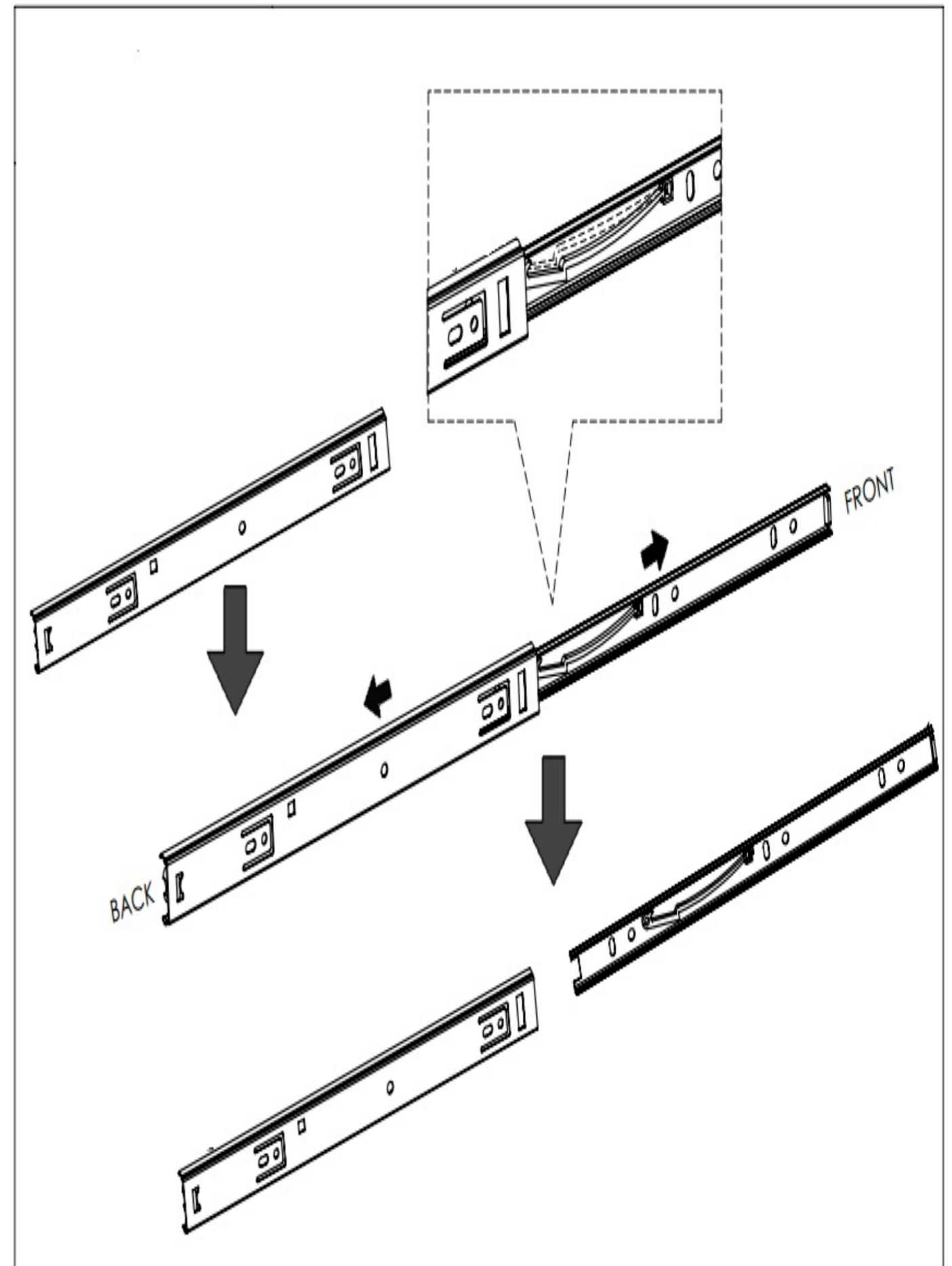
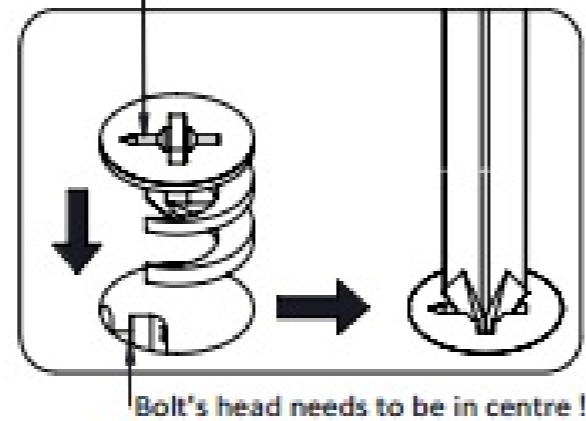
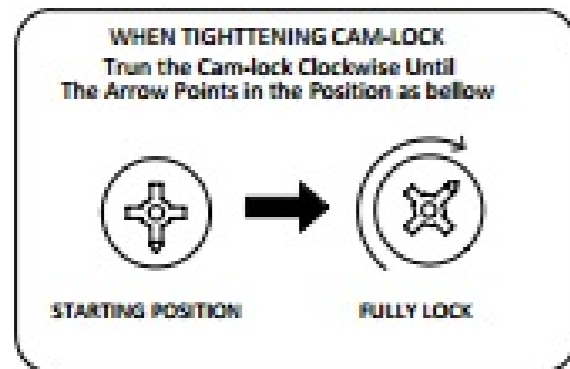
Tighten until shoulder is flush with panel. Do not overtighten or undertighten (see example below)



### CAM-LOCK

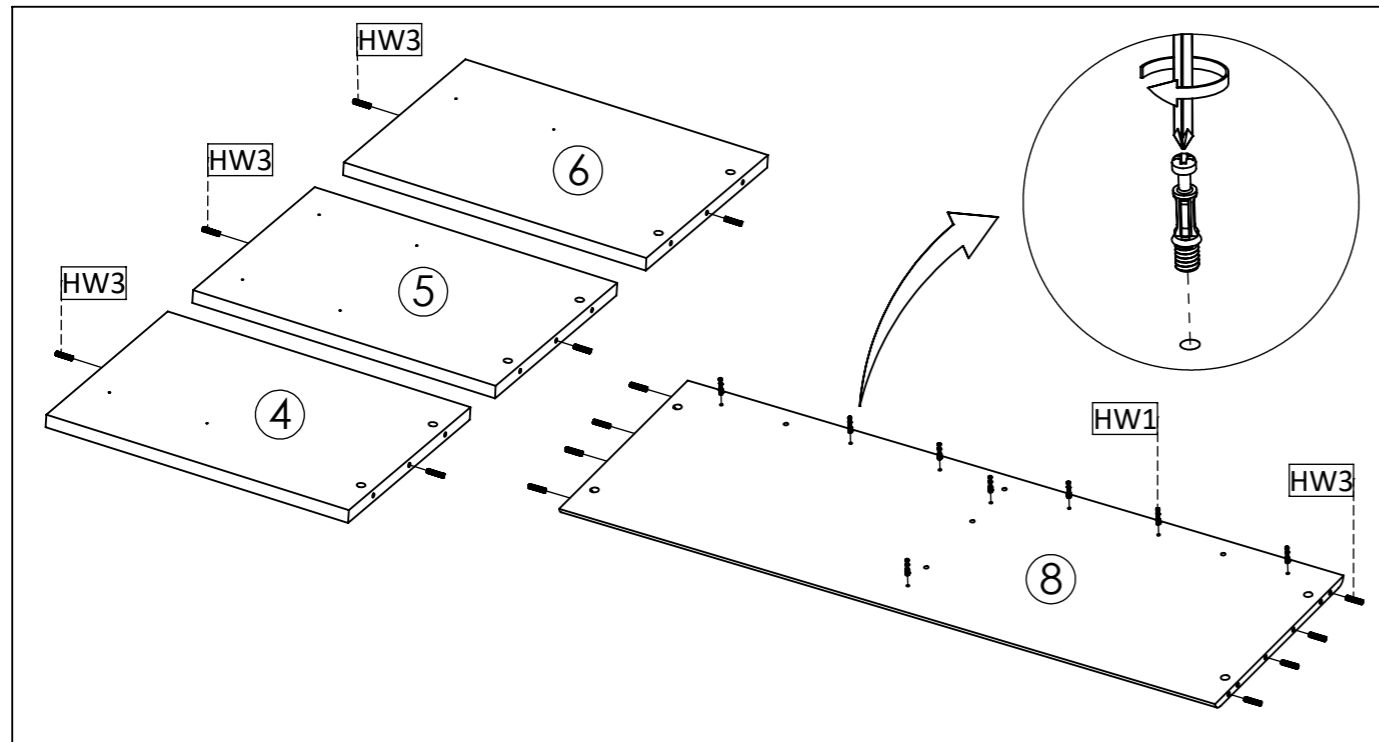


See this Arrow Points !

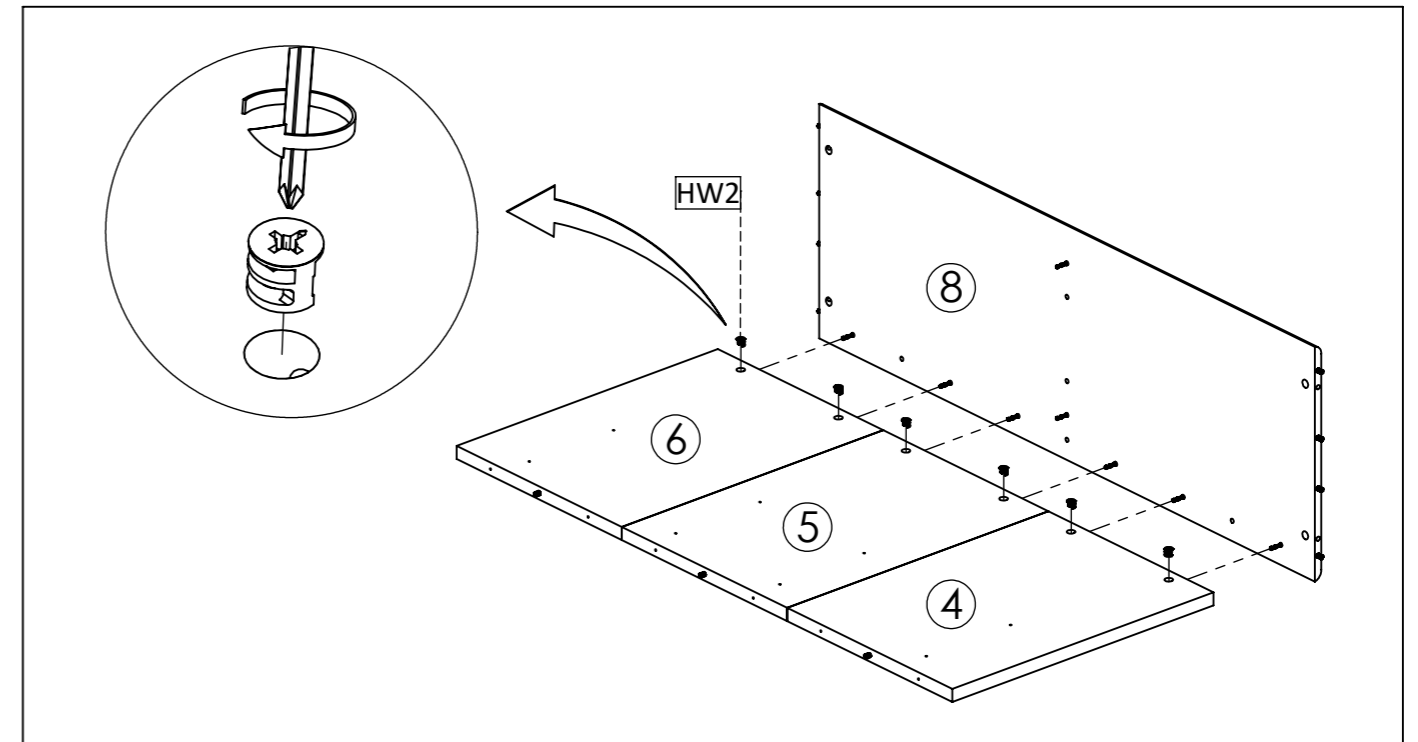


## PREPARATION

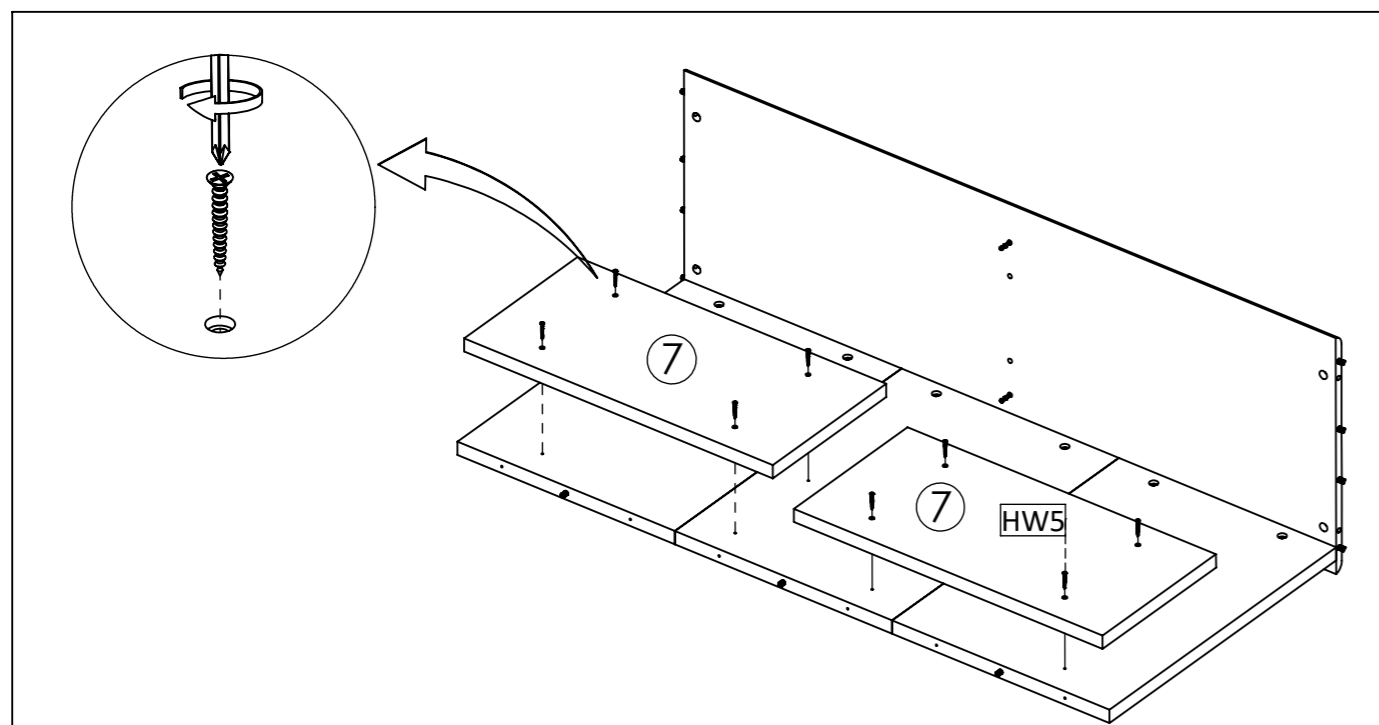
Before beginning assembly of product, make sure all part are present. Compare part with part contents list and hardware contents list.  
 If any part is missing or damaged, do not attempt to assemble the product.  
 Estimated Assembly Time: 60 minutes.



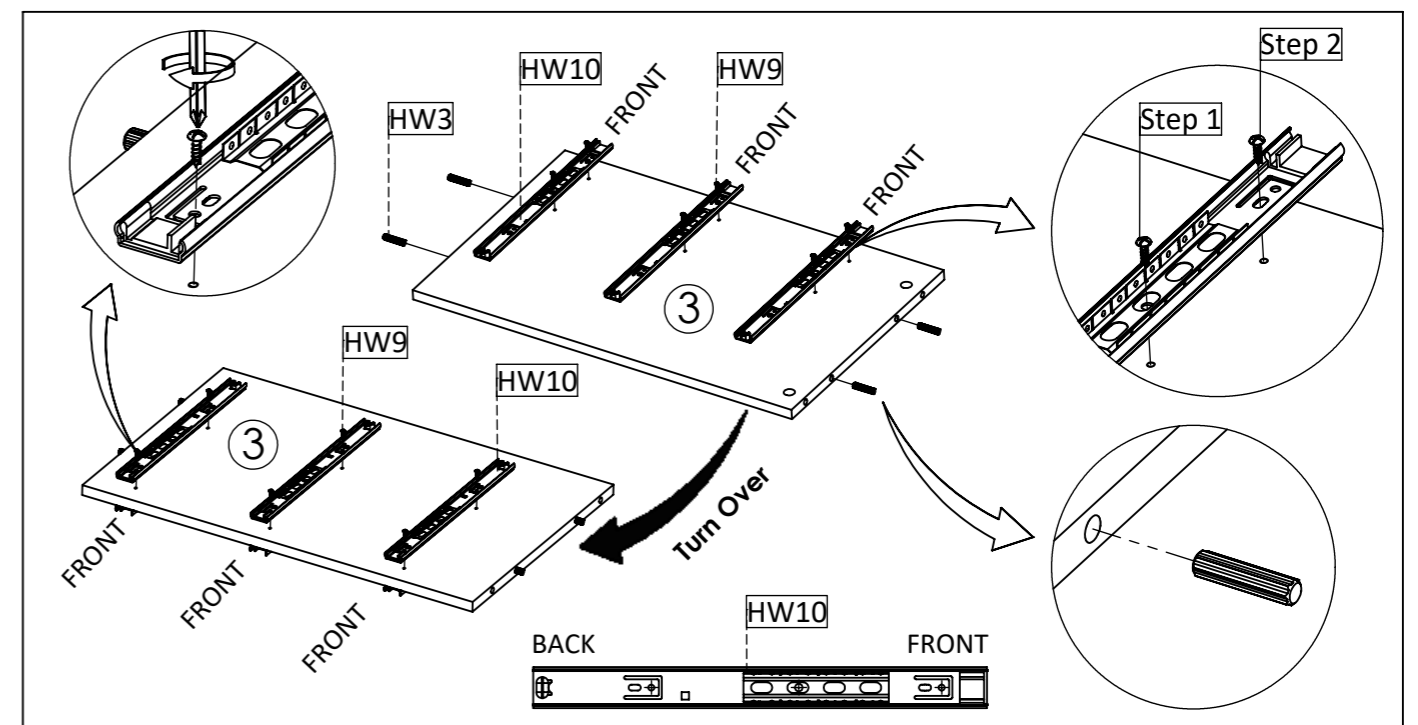
**STEP1:** Insert Cambolt (HW1) into top panel (8) and tighten it using screwdriver. Insert Wooden Dowel (HW3) into back Panel Right (4), Back Panel Center (5), Back Panel Left (6) And top panel (8)



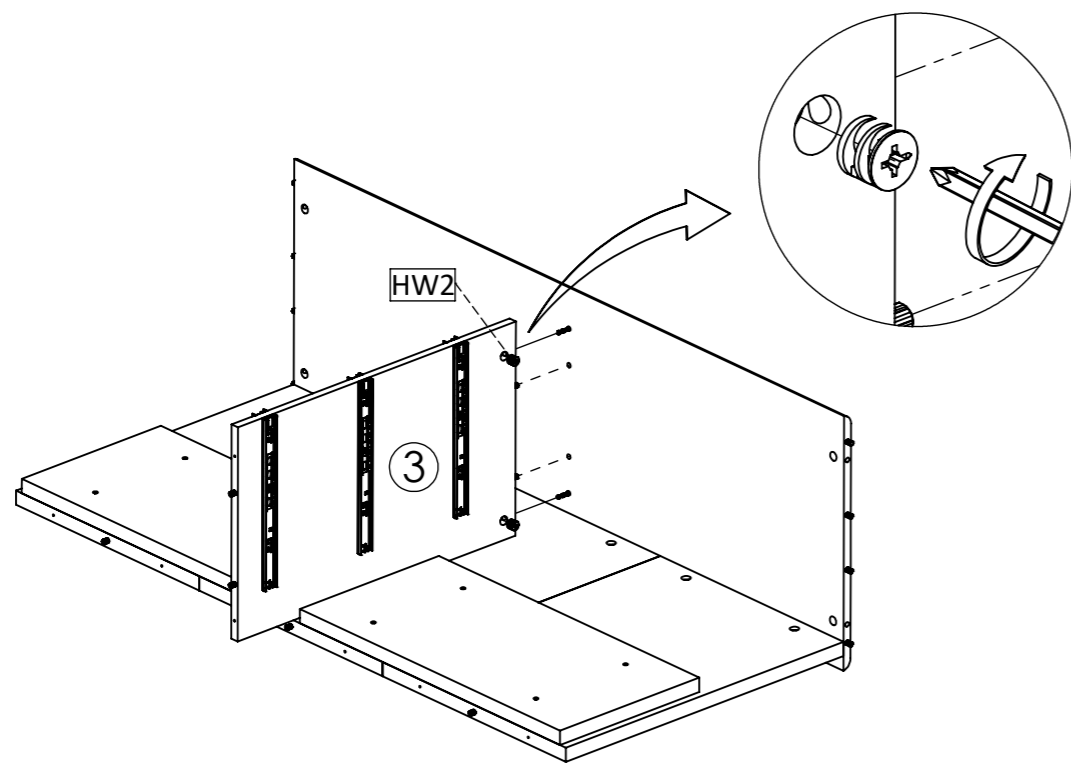
**STEP2:** Attach back Panel Right (4), Back Panel Center (5), Back Panel Left (6) Into Top Panel (8). Secure with Camlock (HW2) and tighten it using screwdriver.



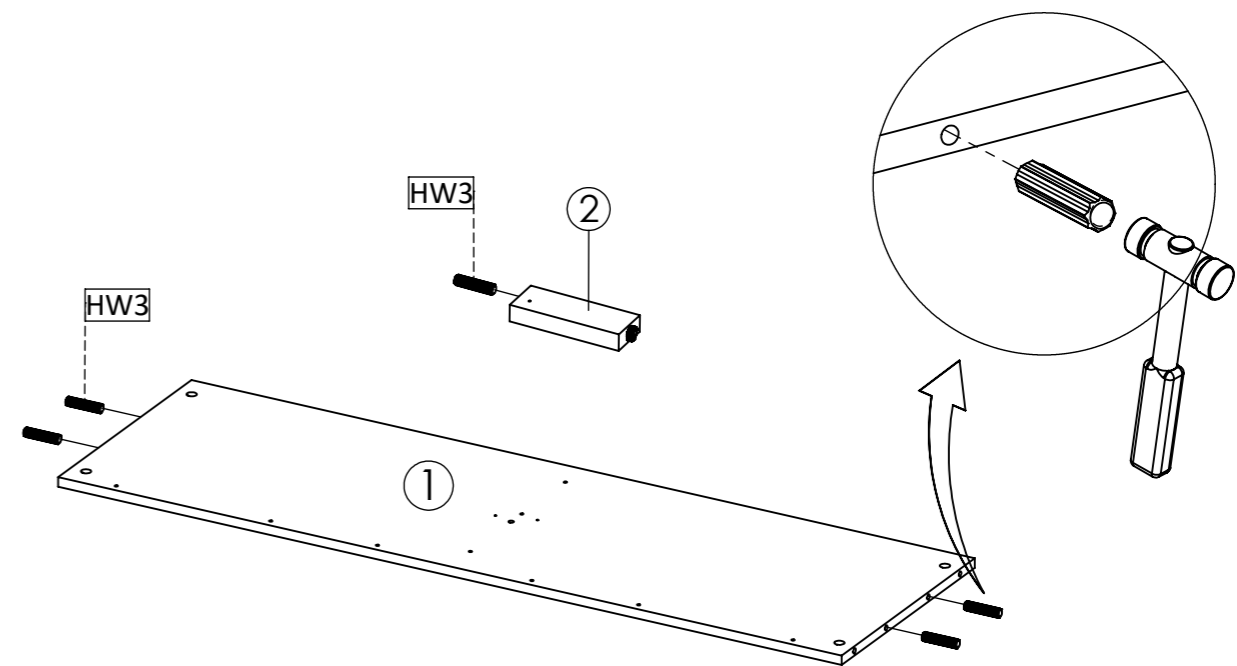
**STEP3:** Insert Back Panel Support (7) Secure with Screw M7x32mm (HW5) and tighten it using screwdriver.



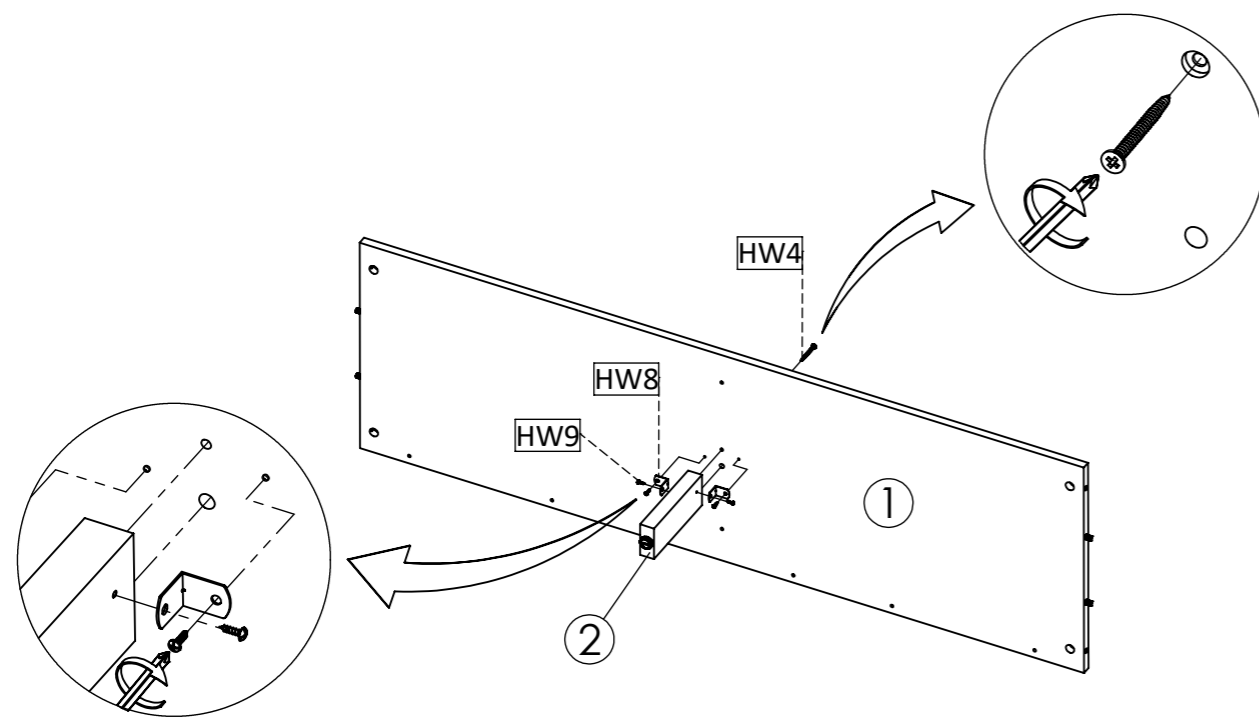
**STEP4:** Insert Wooden Dowel (HW3) into Center Panel (3). Continue with securing part of the metal runner 1 (HW10) into position as the above image, using screw M6x12mm PH (HW9) and tighten it using screwdriver.



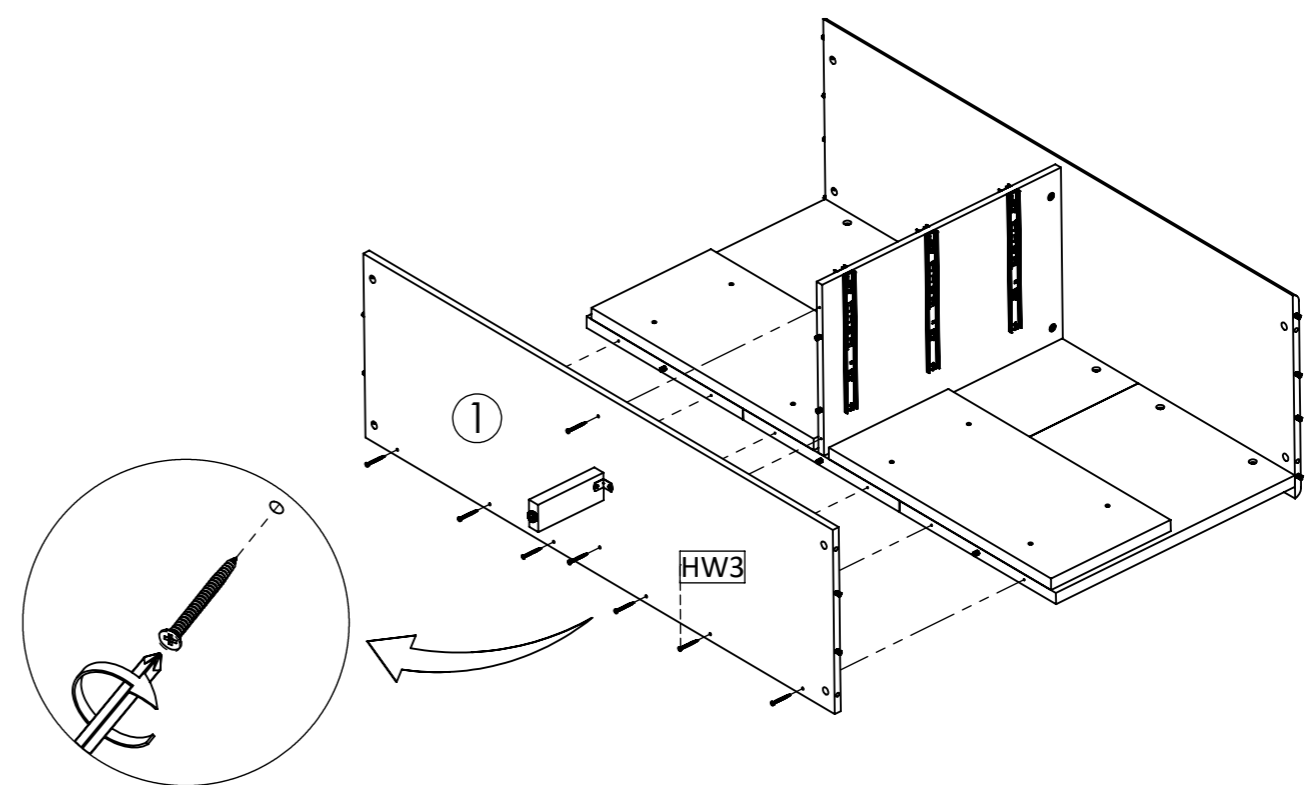
**STEP5:** Insert Center panel (3) Secure with Camlock (HW2), and tighten it using screwdriver.



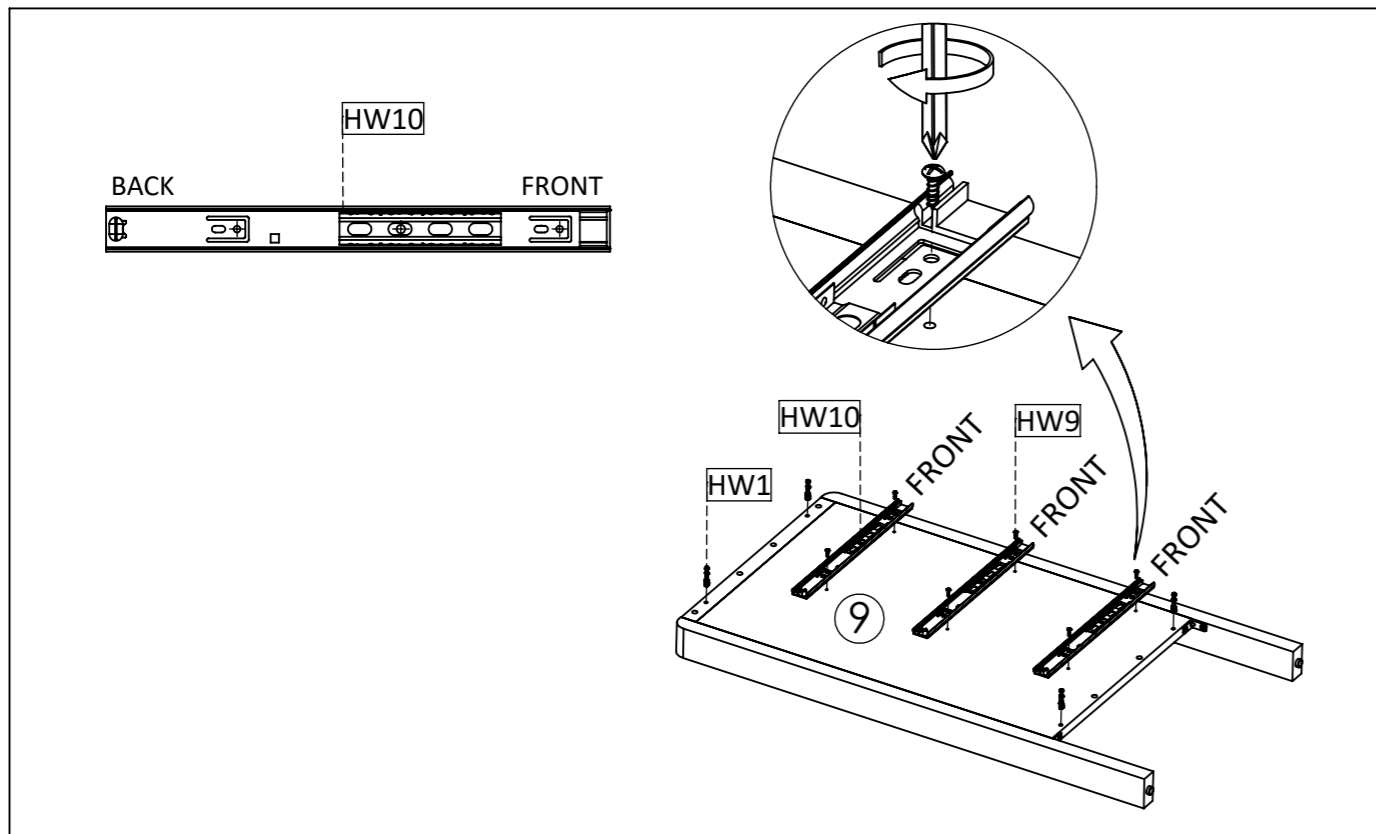
**STEP6:** Insert Wooden Dowel (HW3) into Bottom Panel (1), And Center Leg (2)



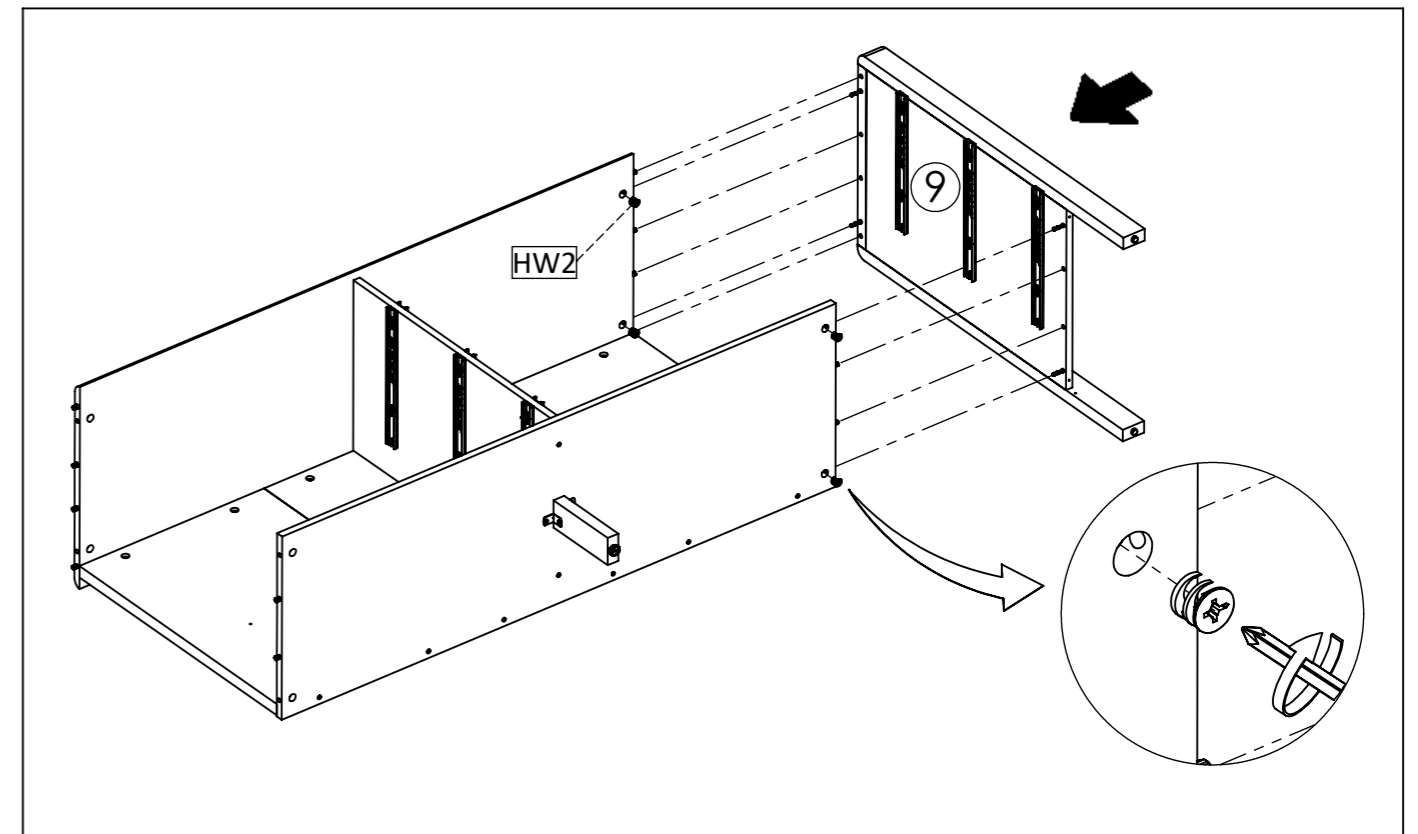
**STEP7:** Attach Center leg(2) into Bottom Panel(1) secure with screw M6x50mm(HW4), Continue with securing part of the Plate L (HW8) into position as the above image, using screw M6x12mm PH (HW9) and tighten it using screwdriver.



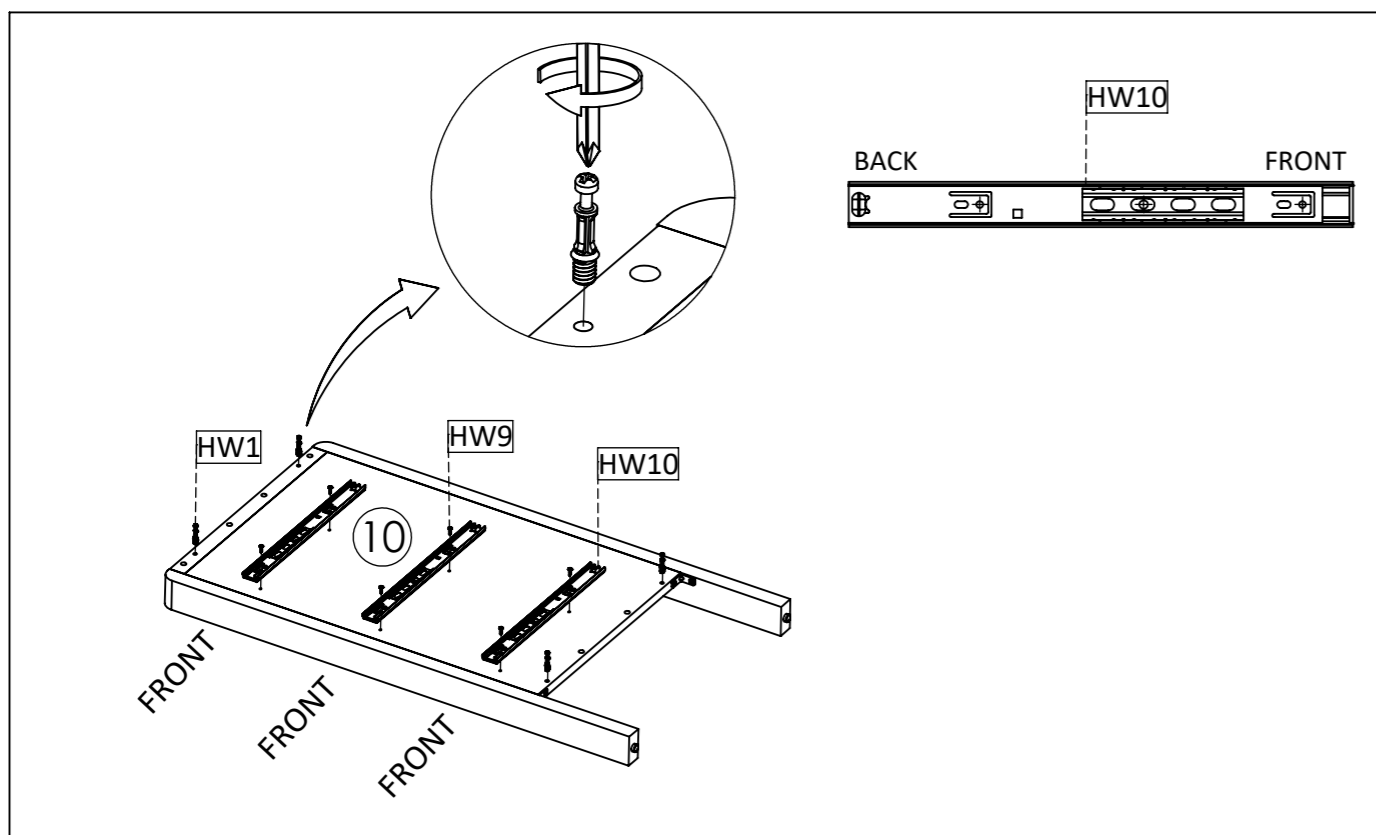
**STEP8:** Insert Bottom panel (1) Secure with Screw M6x50mm (HW4) And Tighten It Using Screwdriver.



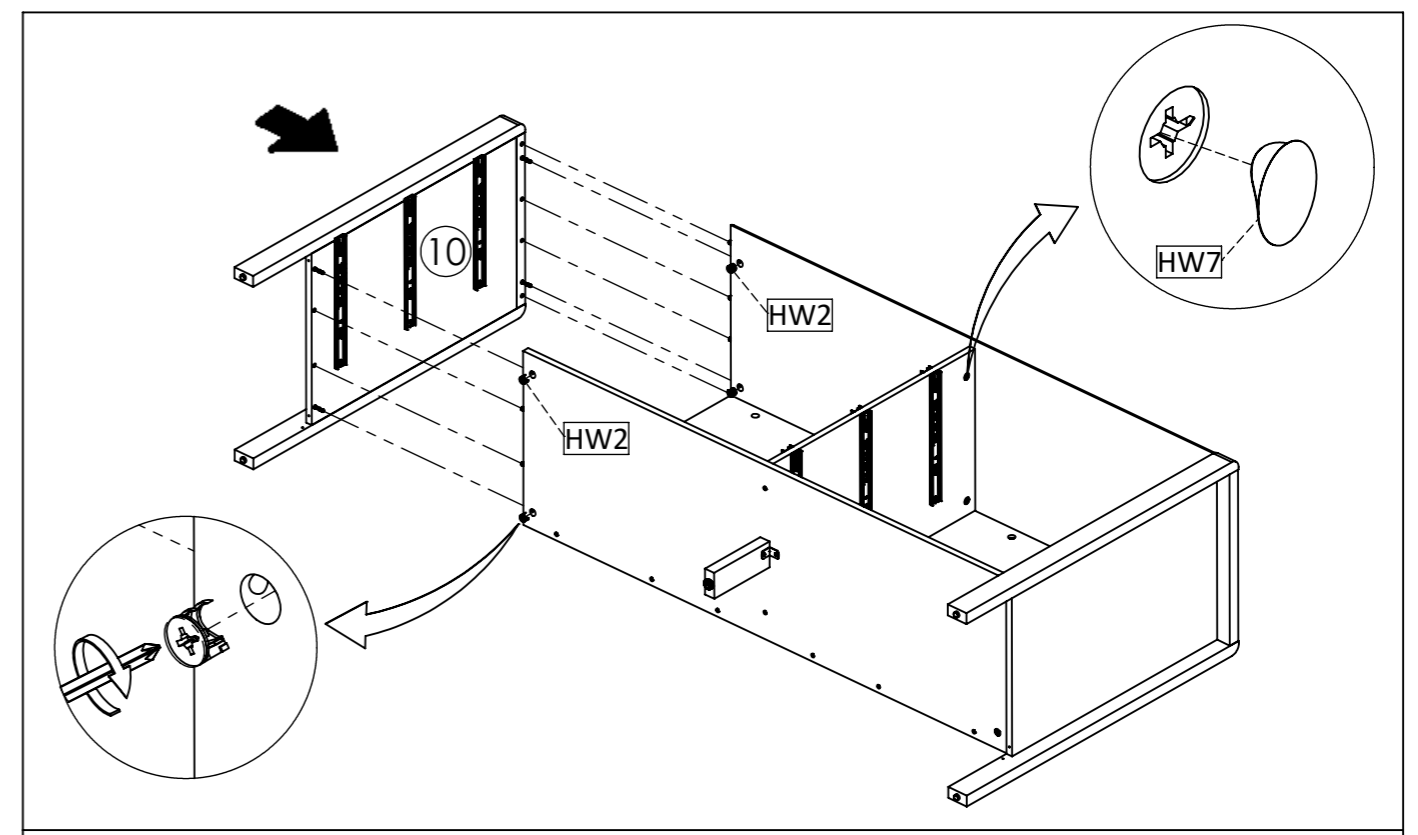
**STEP9:** Insert Cambolt (HW1) into Side Panel Right (9)  
Continue with securing part of the metal runner 1 (HW10) into position as the above image, using screw M6x12mm PH (HW9)



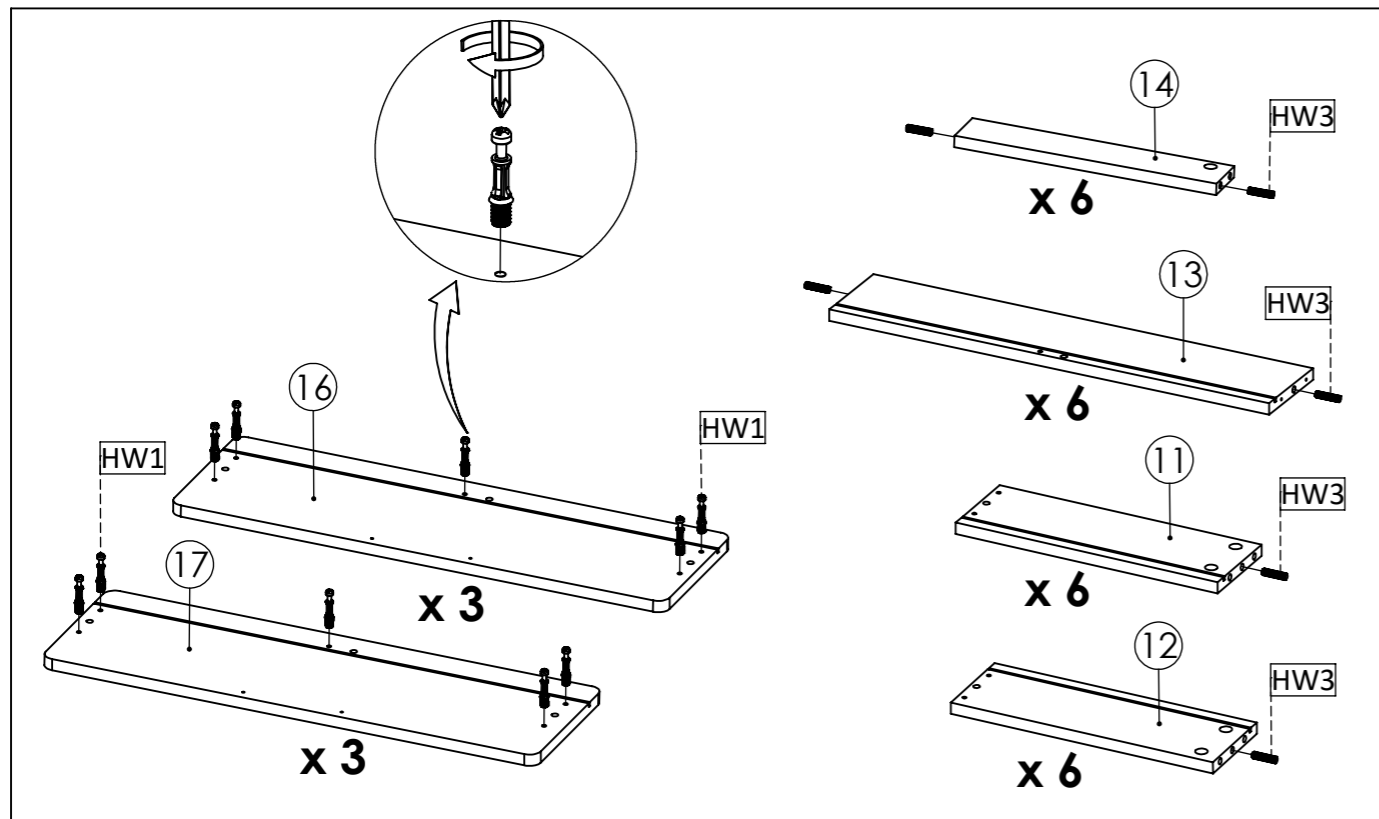
**STEP10:** Insert side panel Right (9) Secure with Camlock (HW2), and tighten it using screwdriver.



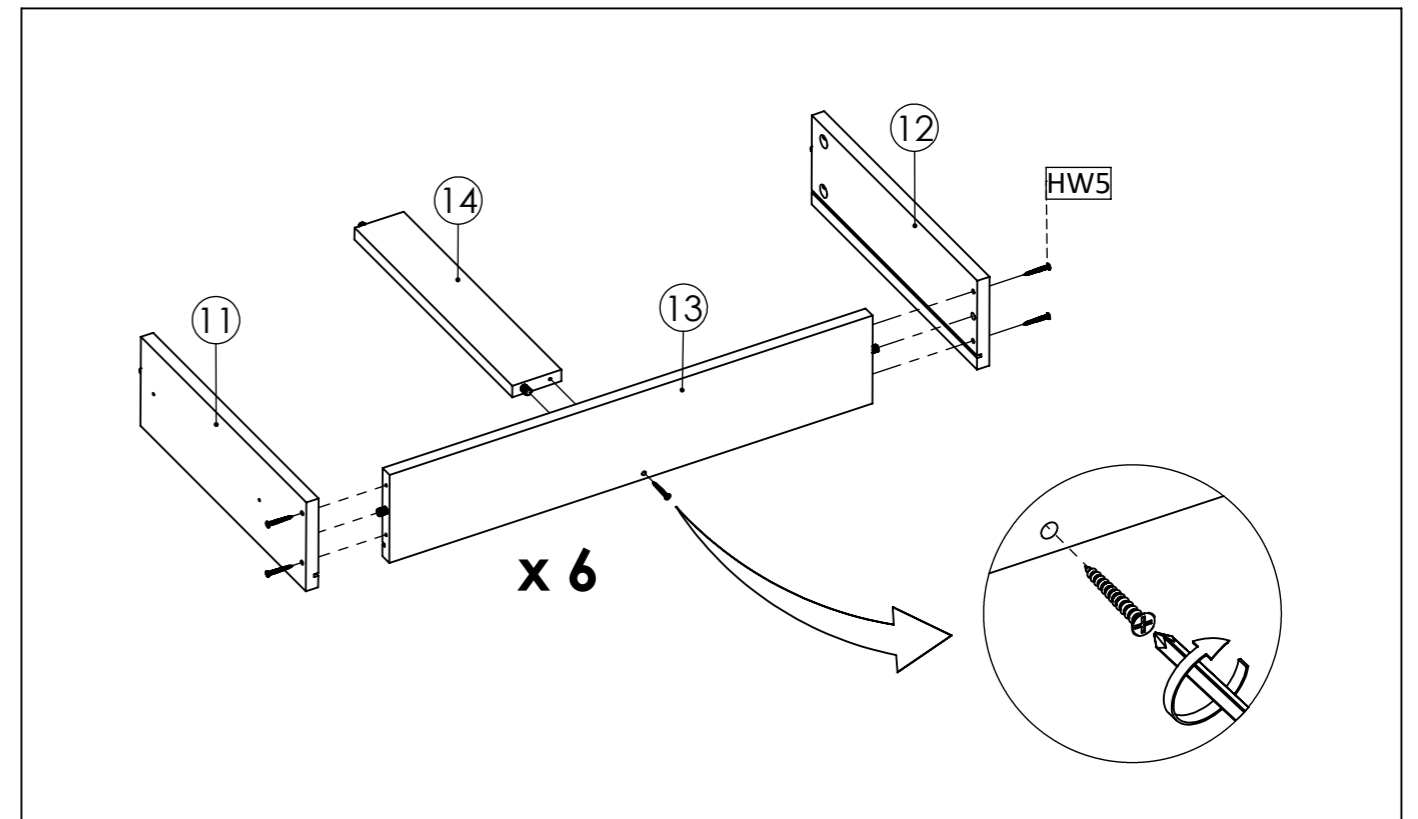
**STEP11:** Insert Cambolt (HW1) into Side Panel Left (10)  
Continue with securing part of the metal runner 1 (HW10) into position as the above image, using screw M6x12mm PH (HW9)



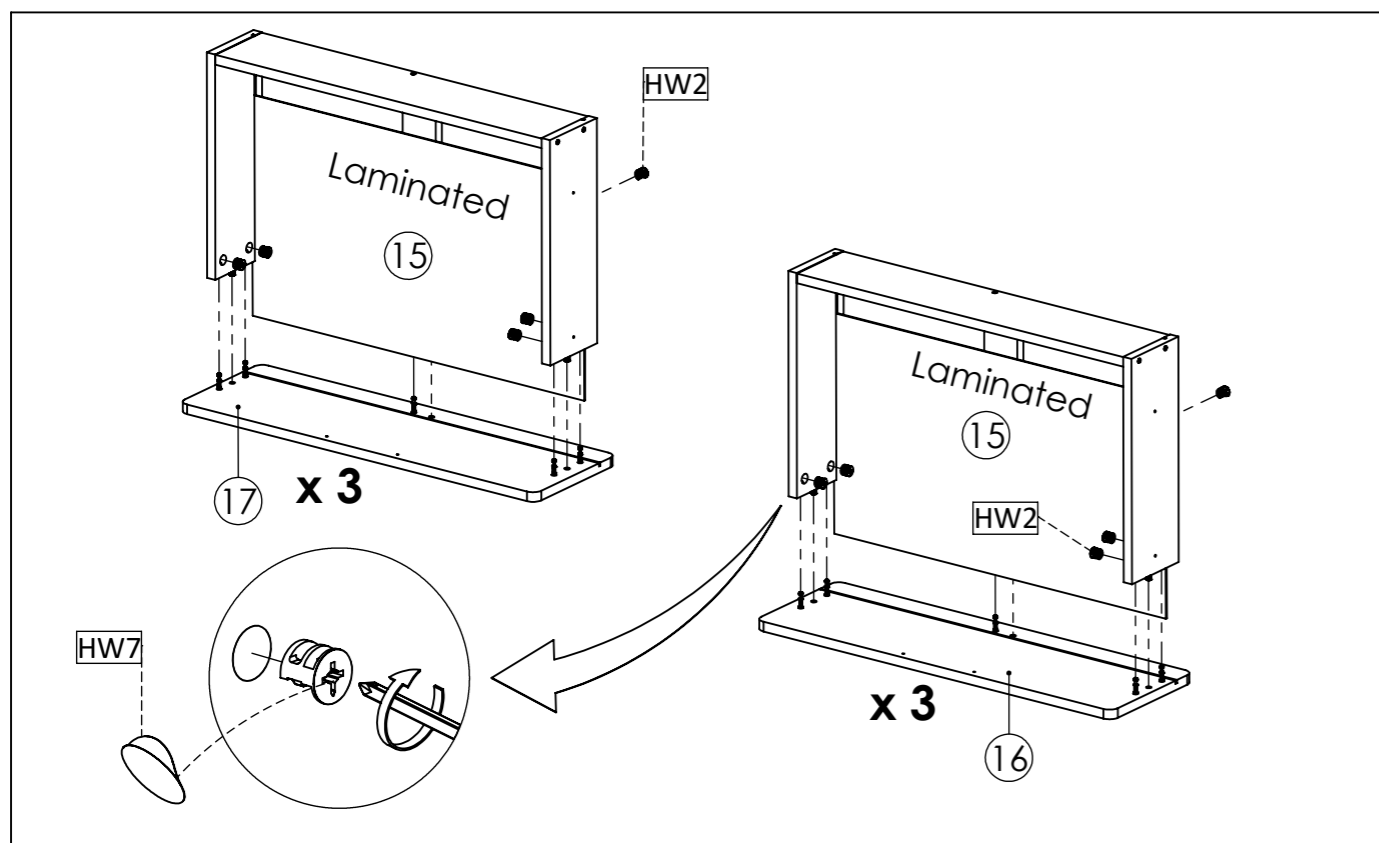
**STEP12:** Insert side panel Left (10) Secure with Camlock (HW2), and tighten it using screwdriver.  
Continue to attach the cover cap sticker(HW7) to the panel that has lamination



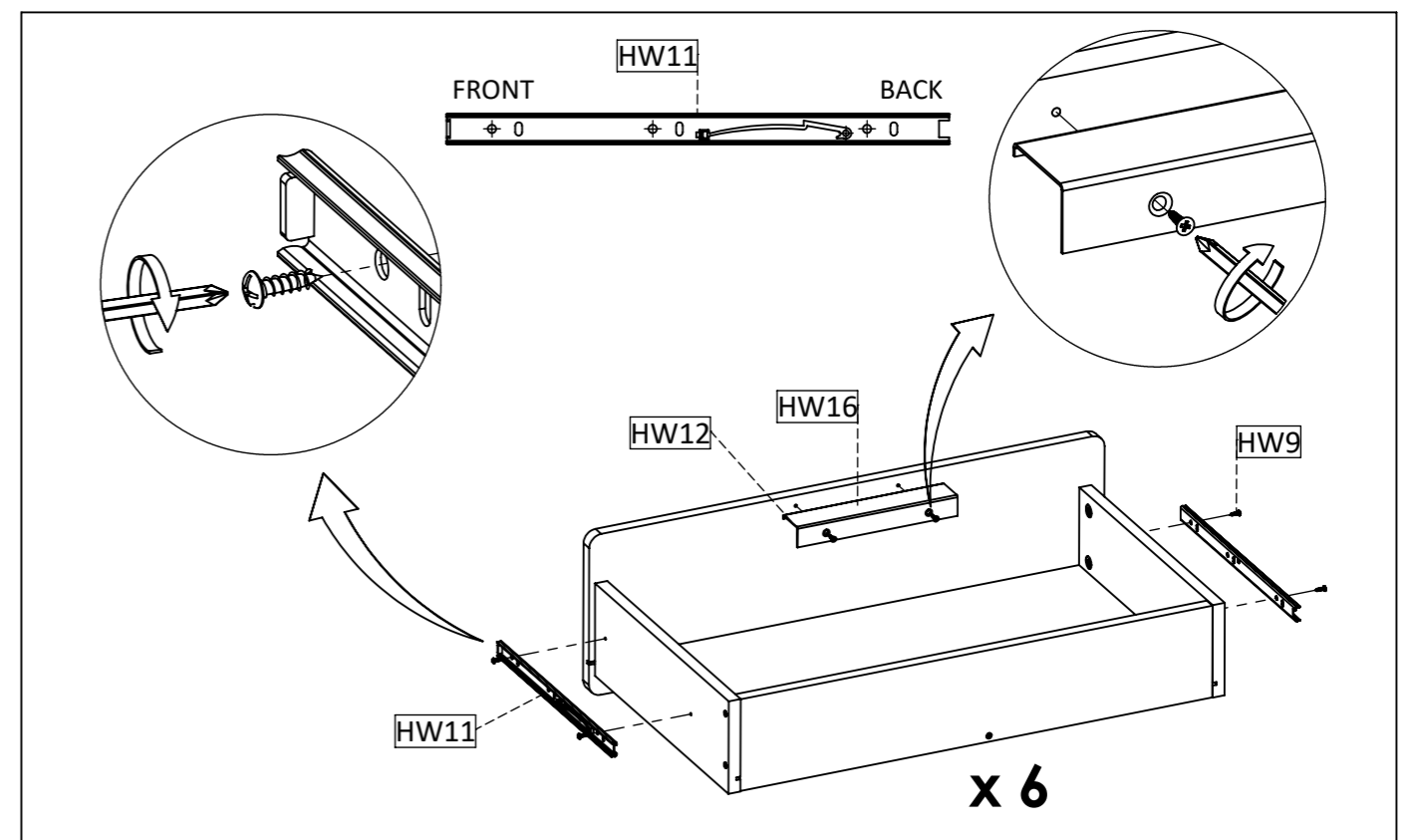
**STEP13:** Insert Cambolt (HW1) into Right Front Drawer (16) And Left Front Drawer (17). Insert Wooden Dowel (HW3) into Side Drawer Right (11), Side Drawer Left (12), Drawer Back (13) And Drawer Base support (14)



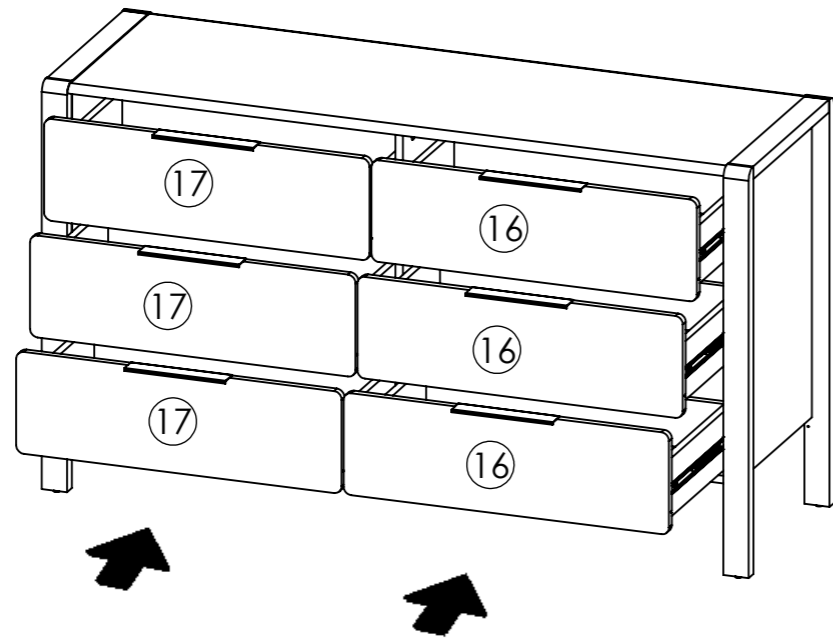
**STEP14:** Combine Side Drawers (11 & 12) and Drawer Base Support (14) into Drawer back (13) secure with screw M7x32mm (HW5) using screwdriver.



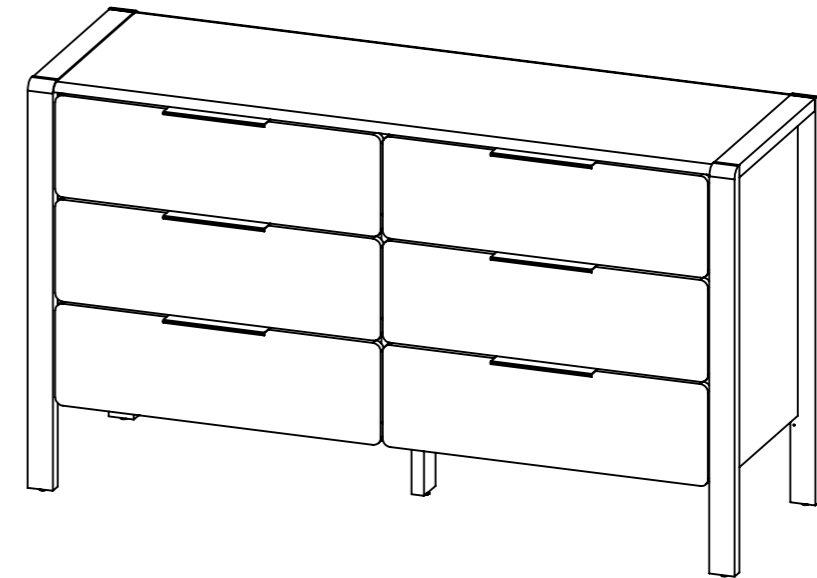
**STEP15:** Insert Drawer Base (15), then put front drawer (16&17) then tighten camlock (HW2) using screwdriver. Continue to attach the cover cap sticker(HW7) to the panel that has lamination



**STEP16:** Install the metal runner 2 (HW11) and Attach Handle (HW12) into position as shown in picture. Secure with screw M6x12mm PH (HW9) And Tighten It Using Screwdriver.



**STEP17:** Hold the sides of drawer, position the wheel of rail at drawer back and the wheel of rail at side boards, according to the image. Slide in the drawers one by one into the cabinet.



**STEP18:** Assembly is complete

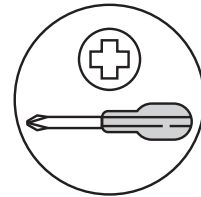
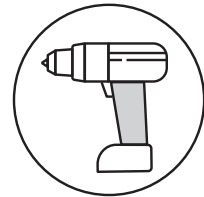


# ANTI-TIP RESTRAINT INSTALLATION

## ! WARNING!

Children have died from furniture tipover.  
To reduce the risk of furniture tipover:



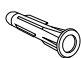
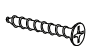

- ALWAYS install tipover restraint provided.
- NEVER allow children to stand, climb or hang on drawers, doors, or shelves.
- NEVER open more than one drawer at a time.
- Place heaviest items in the lower drawers.

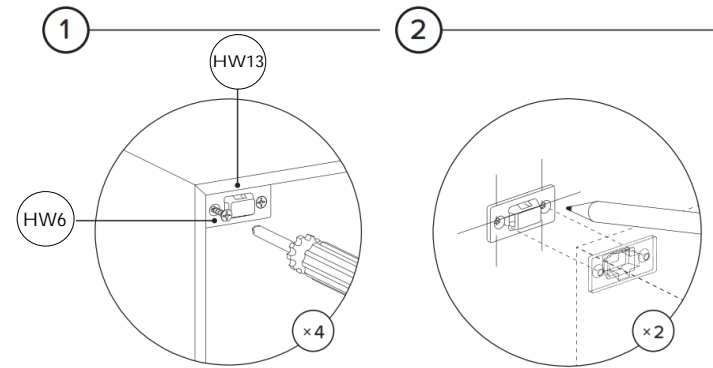


**REQUIRED TOOL**  
8MM / 5/16" DRILL BIT

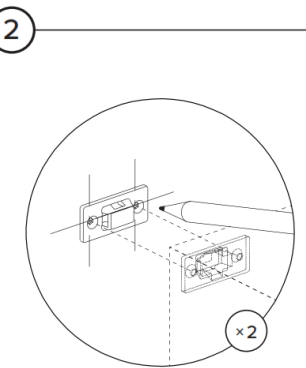
**REQUIRED TOOL**

**!** Hardware (HW14 / HW15) to attach brackets to wall is designed for drywall. To attach this unit to another type of wall, consult with your local hardware store.

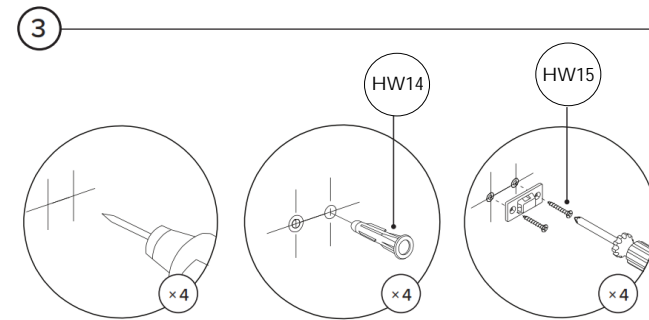
ANTI-TIP RESTRAINT PACK			
ID	DESCRIPTION		QTY
HW13	BRACKET		4
HW6	M6 × 15MM SCREW		4
HW14	M8 × 35MM PLUG		4
HW15	M10 × 50MM SCREW		4
HW13	STRAP		2



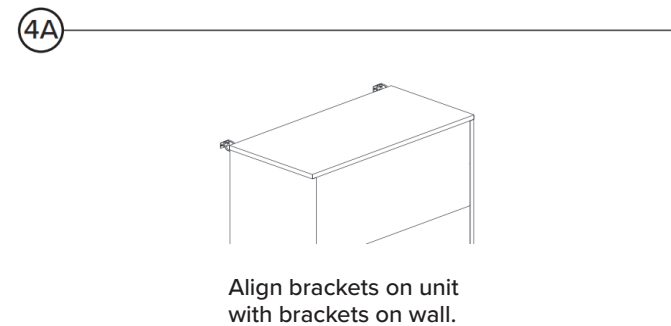
Attach pair of brackets to "Top Panel" of the unit. Note there are no existing pilot holes on the product.



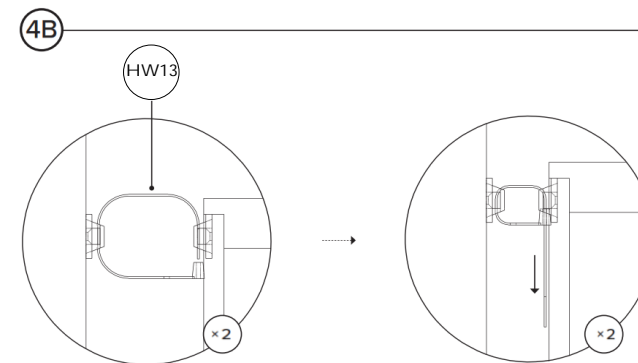
Mark on wall where second pair of brackets should be placed.



Drill holes in wall using 8mm / 5/16" drill bit.



Align brackets on unit with brackets on wall.



Pull strap down until it snap-locks.