

We hope you enjoy this new addition to your home for many years to come.

Our commitment to providing quality products does not simply end when you purchase our product. We fully stand behind our products from start to finish. Our customer service department is available Monday – Friday 8:30 AM – 5:30 PM Pacific Time and can help with assembly questions as well as, if necessary, replacing damaged or missing parts. To help expedite our service, please have these assembly instructions readily available, along with your order receipt.

### ✓ CHECK BEFORE STARTING

**Are you missing anything?**

Double-check all parts, hardware and accessories listed are all accounted for.

**Check out our Quick Tips!**

We recommend reviewing the pre-assembly handouts. Even experts need a refresher now and then!

**Should we send any replacements?**

Are there any irregularities or flaws in the parts? We can send replacements!

**Prep Time!**

Please review the assembly instructions and all diagrams prior to assembling.

## PRE ASSEMBLY INTRODUCTION

We understand building ready-to-assemble furniture can be a challenging experience for some. To help avoid confusion, we have provided some helpful tips that may speed up the process.



**Teamwork**  
ALWAYS have at least two people to help with transporting and assembling the product to avoid potential injury and/or damage.



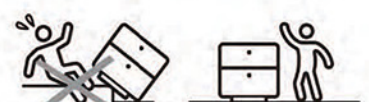
**Suitable Location**  
Assembling near the area of the intended location is highly recommended.



**Sufficient Space**  
Make sure you have enough space to move around during the assembly.



**Avoid Scratches**  
Use cardboard, blankets or a carpeted area while assembling furniture to prevent from scratches and damages.



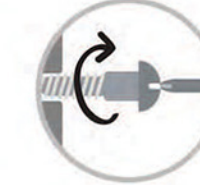
**Flat Surface**  
Make sure the furniture rests on a flat and level surface with each leg evenly touching the floor.

## ASSEMBLY AND CARE ADVICE

**⚠ FAILURE TO FOLLOW THE GUIDELINES BELOW MAY RESULT IN INJURY AND/OR PROPERTY DAMAGE.**



Position each part correctly and insert screws or bolts into their respective holes.



Turn clockwise to tighten and only tighten when step is completed or when instructed to do so.



Use the appropriate hand tools or power tools for assembly. Select steps, such as tightening screws and/or bolts, may require hand tools to avoid causing damage during assembly.

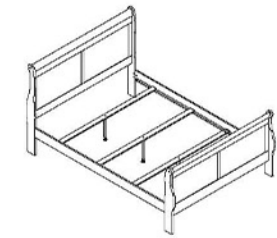


After two weeks, check and repeat again every six months thereafter.

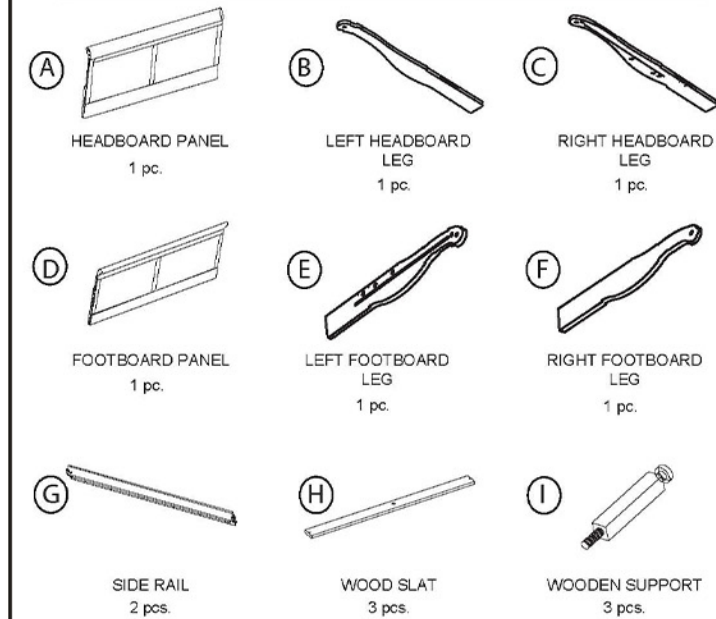
**IT IS THE USER'S RESPONSIBILITY TO MAINTAIN THE FURNITURE. THE HARDWARE MAY LOOSEN OVER TIME AND MAY CAUSE THE FURNITURE TO BE WOBBLY AND UNABLE TO SUPPORT ITS INTENDED WEIGHT CAPACITY. THIS MAY LEAD TO COLLAPSE AND MAY CAUSE SERIOUS INJURY.**

## BED

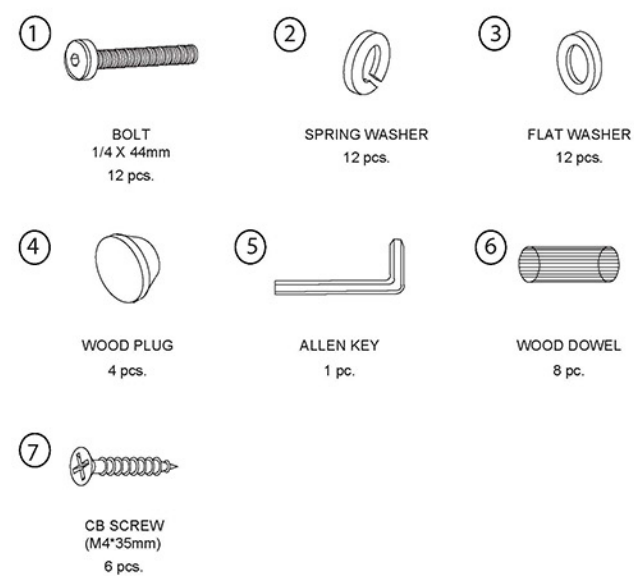
Please keep instructions for future reference.  
Check the quantity and irregularity of parts and hardware before you start.



### PARTS

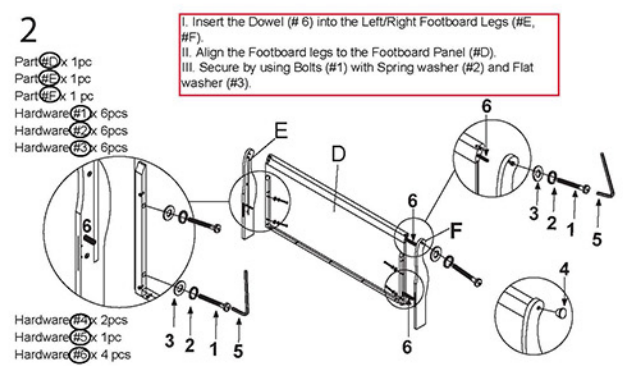
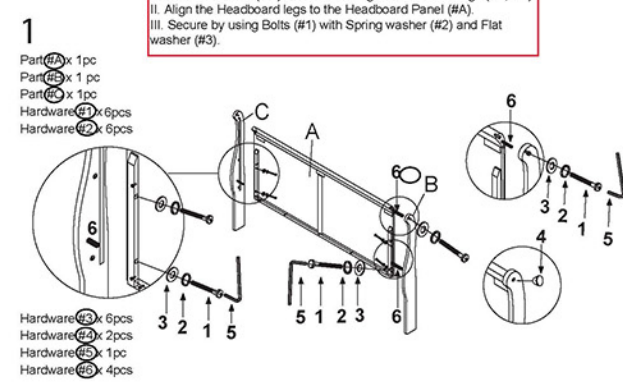


### HARDWARE

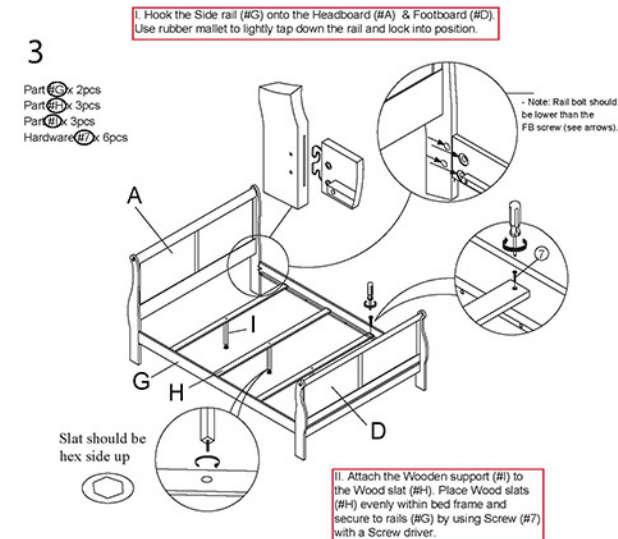


THE HARDWARE IS LOCATED IN THE PACKING ITEMS

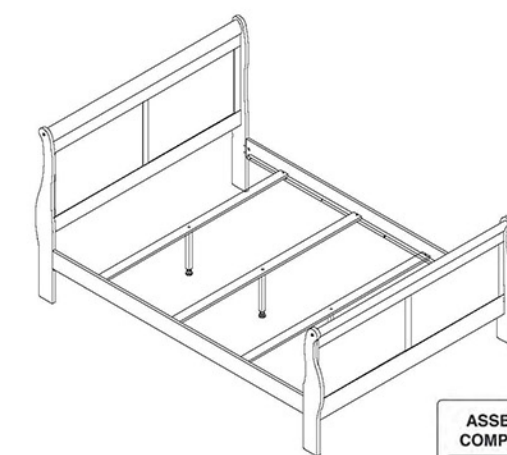
### ASSEMBLY INSTRUCTIONS



### ASSEMBLY INSTRUCTIONS



### ASSEMBLY INSTRUCTIONS



#### ASSEMBLY COMPLETED

Please ensure the bed is used on a flat and level surface. The product includes a safety label, which should be read and followed for proper use and safety.

**Keep this handy!**  
Please read the instruction manual and safety information.

**Lift, don't drag!**  
To avoid damage to product, please do not lift the product. Always use proper lifting and moving techniques.

NOTE: MUST TIGHTEN SCREWS PERIODICALLY WITH USE. SCREWS MAY BECOME LOOSE. CHECK TIGHTNESS OF ALL SCREWS EVERY 6-8 WEEKS.