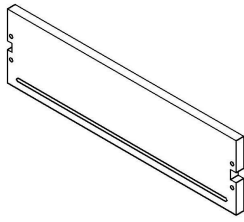
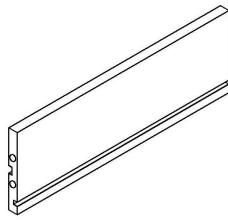


Product Installation Instructions

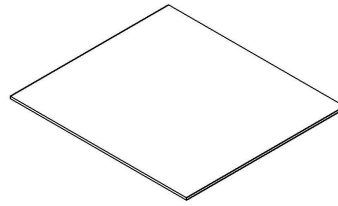




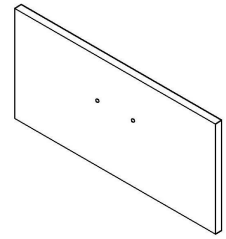
Ax3



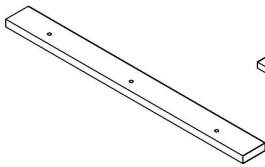
Bx6



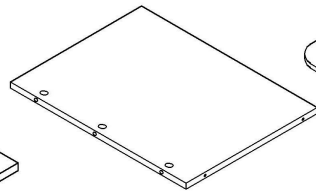
Cx3



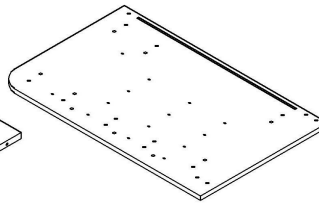
Dx3



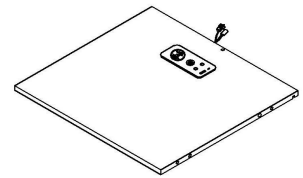
Ex1



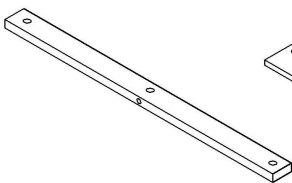
Fx1



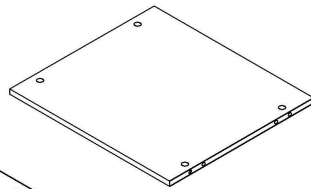
Gx1



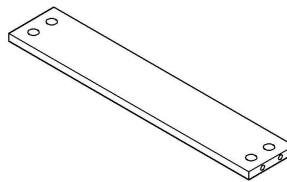
Hx1



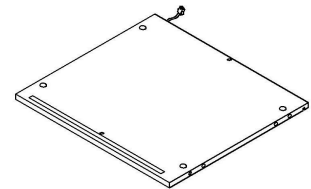
Ix1



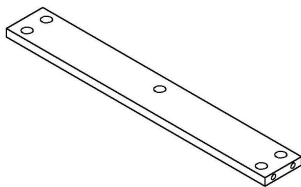
Jx1



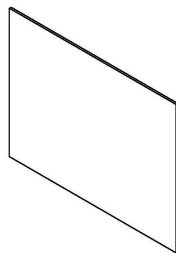
Kx2



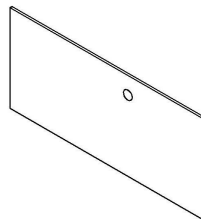
Lx1



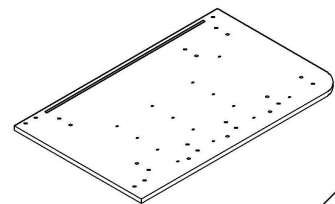
Mx2



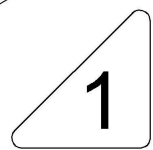
Nx1



Ox1

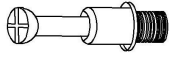

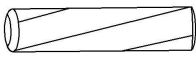
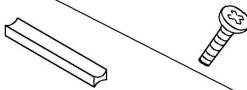
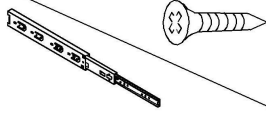
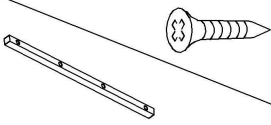


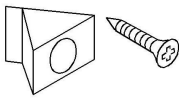
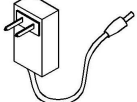
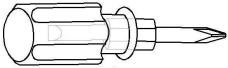
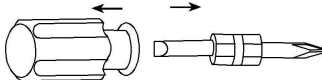



Px1

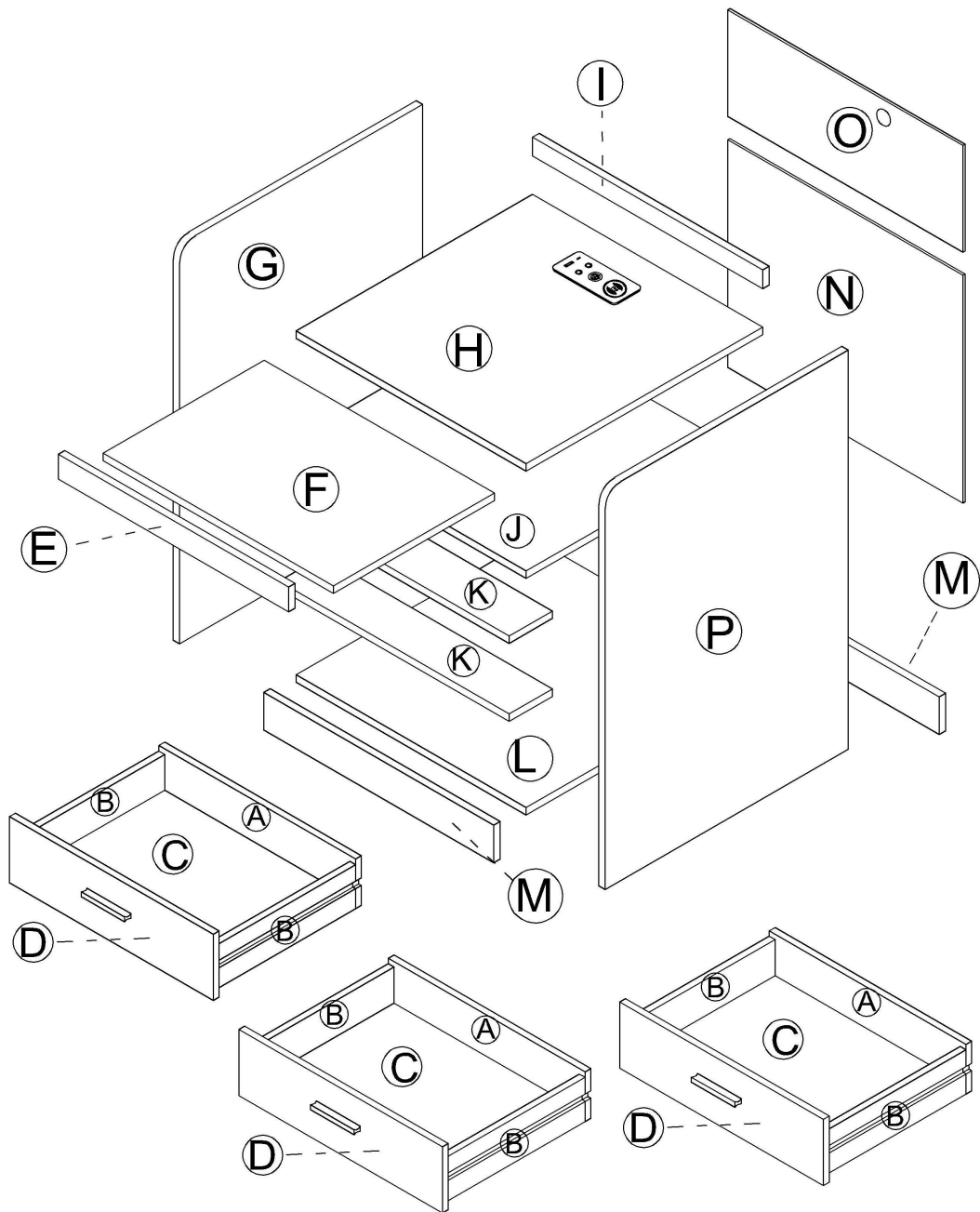


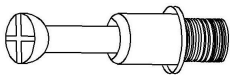
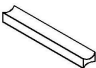



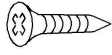
1

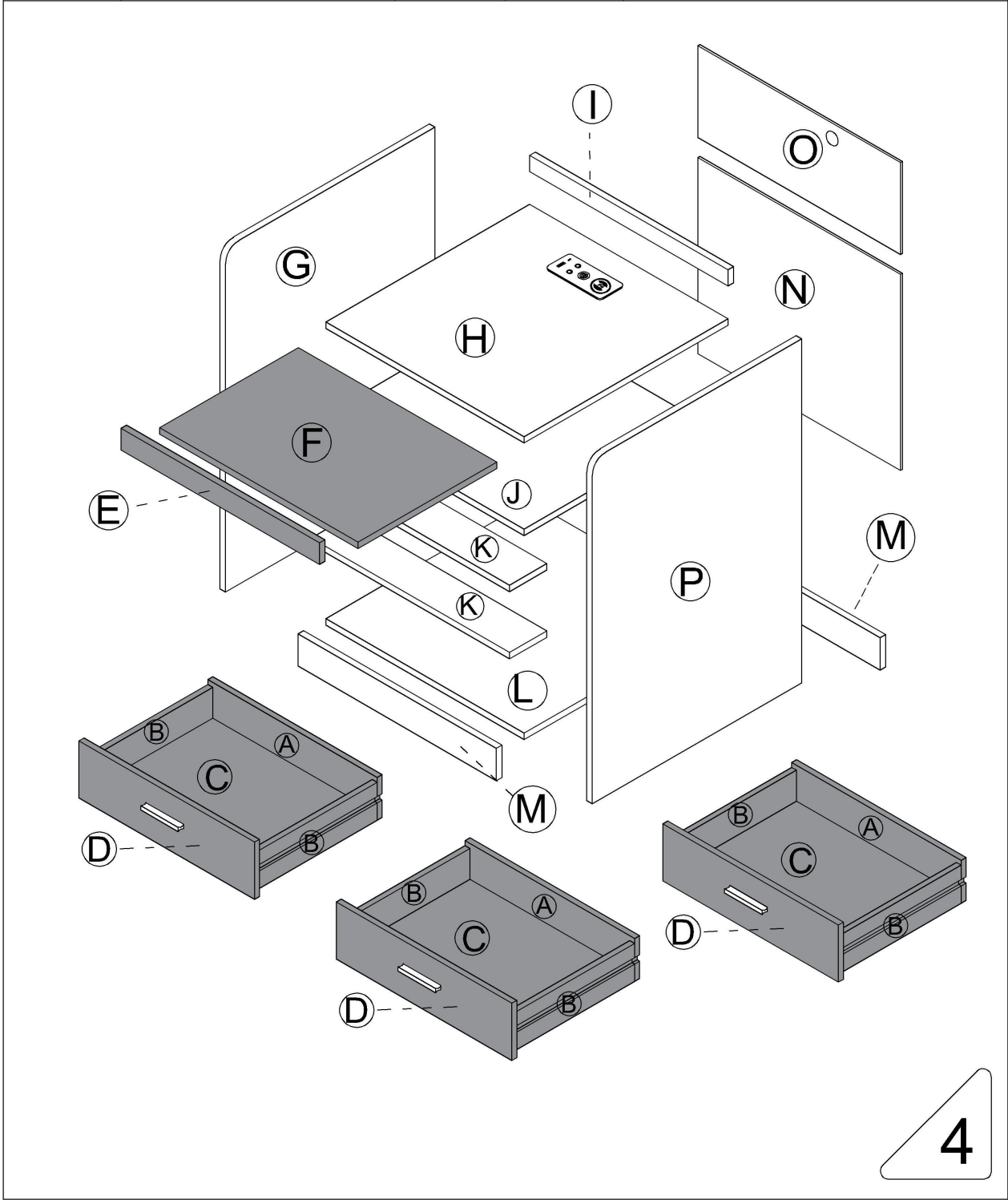
Accessories list

①		Two In One Screw (6x28mm)	60pcs +4pcs
②		Two In One Nut (10x12mm)	60pcs +4pcs
③		Wood Chipping (6x30mm)	12pcs +2pcs
④		Handle & Screw (4x16mm)	6pcs +1pcs 3pcs
⑤		Guide rails & screws (3x12mm)	10pcs +2pcs 2pcs
⑥		Rubber strip guide & Screw (4x16mm)	24pcs +2pcs 6pcs
⑦		Iron bar	6pcs +1pcs
⑧		Non-slip pads	4pcs +2pcs
⑨		Fixing Clip & Screw (3x16mm)	4pcs +1pcs
		AC/DC Adapter (12V=3.0A)	1pcs
 1pcs  Double-head screwdriver, use as required  2			

Product structure decomposition

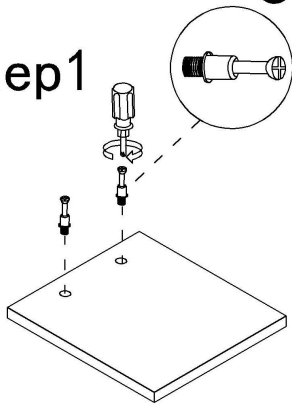


<p>1</p>		<p>27pcs</p>	<p>4</p>	 <p>3pcs</p>	 <p>6pcs</p>
<p>2</p>		<p>27pcs</p>	<p>5</p>	 <p>2pcs</p>	 <p>4pcs</p>

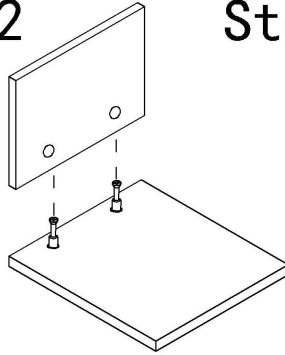


Use parts ① and ②

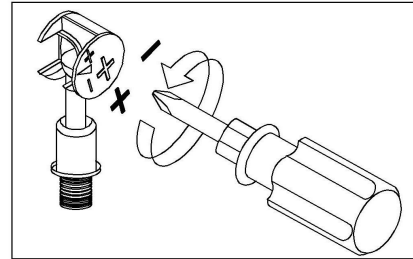
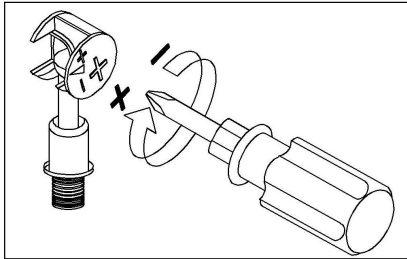
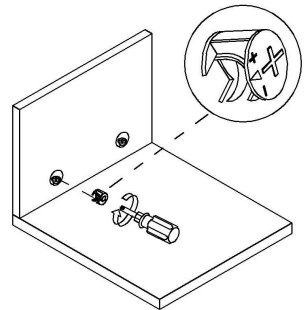
Step1



Step2



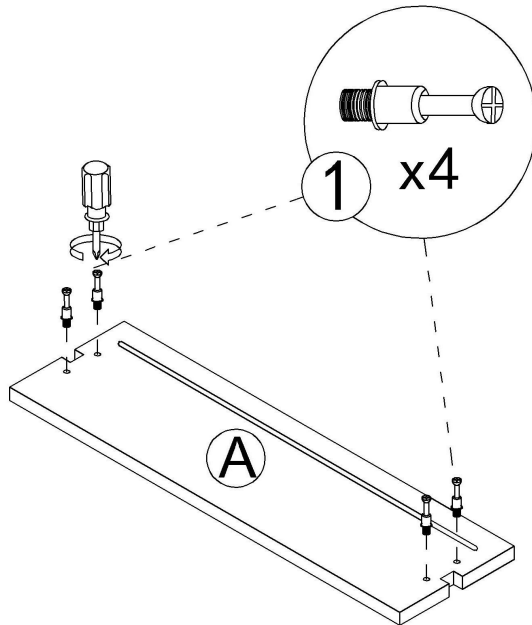
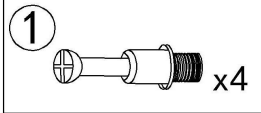
Step3



Use a screwdriver to lock in the direction of the "+" sign

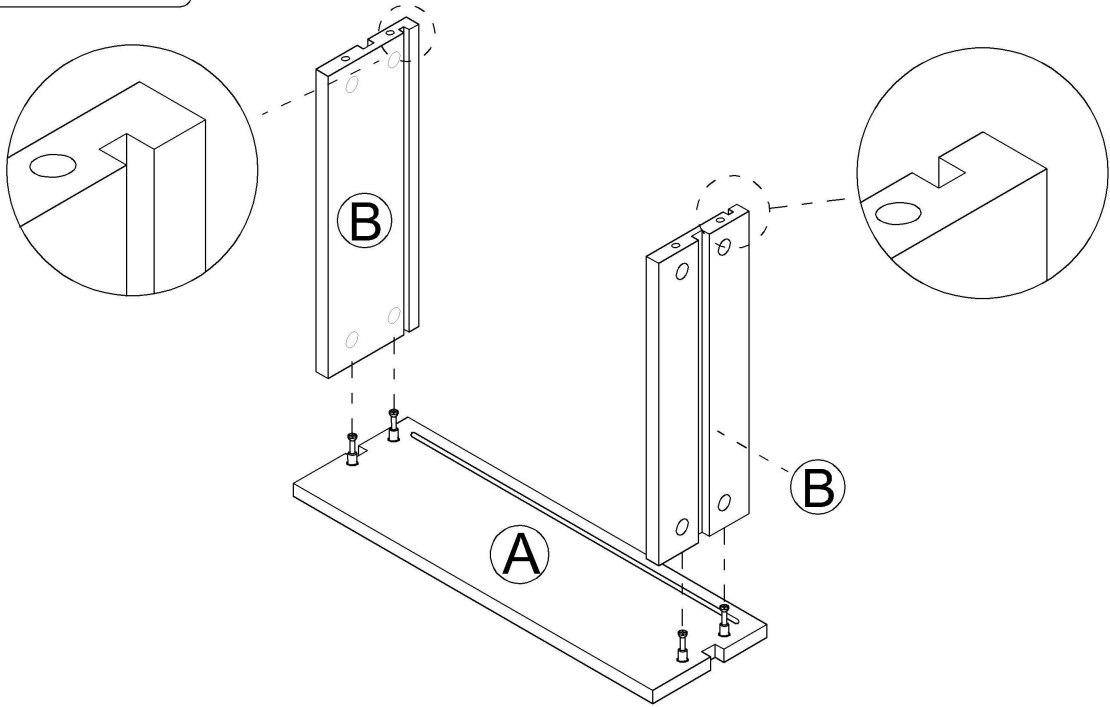
Disassemble along the direction of "-" sign

Step 1

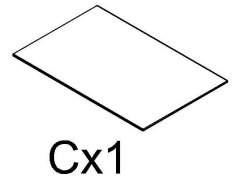
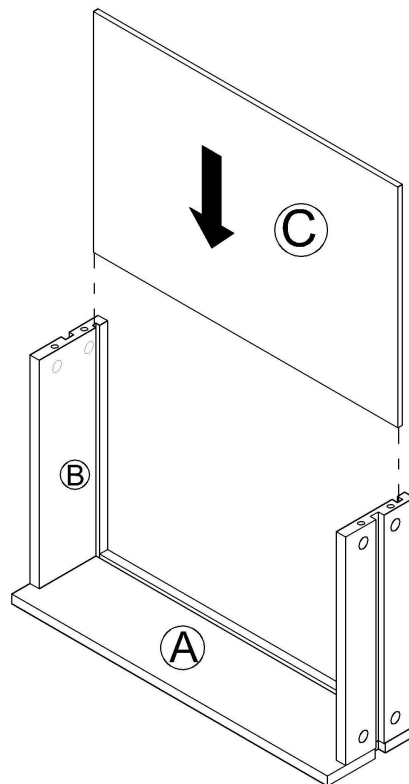


5

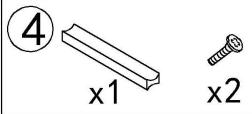
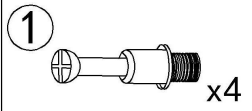
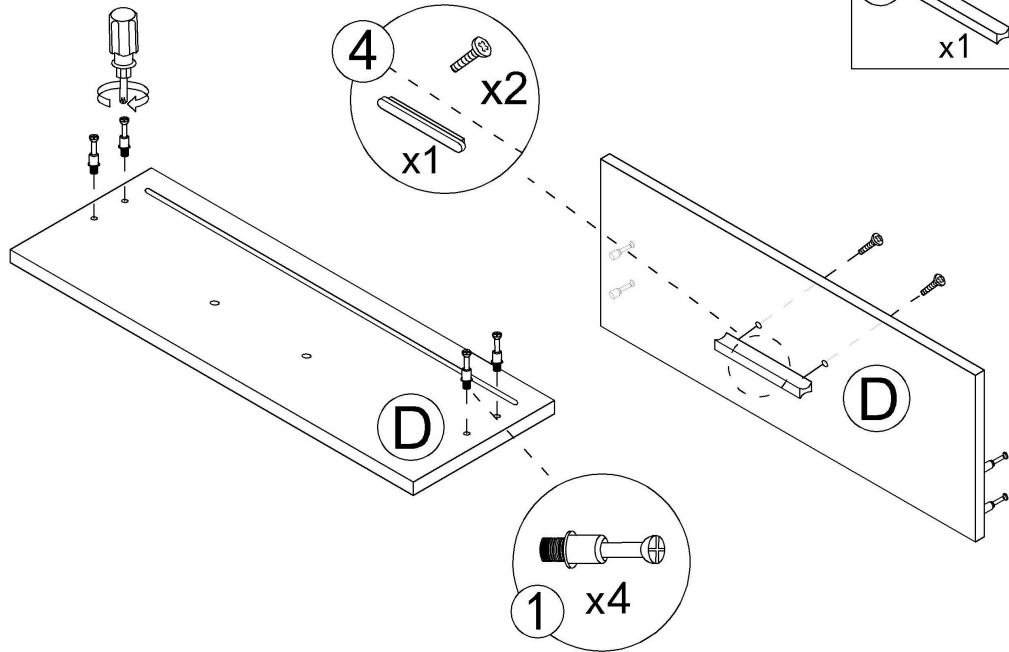
Step 2



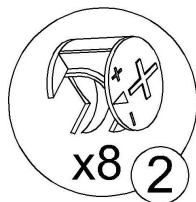
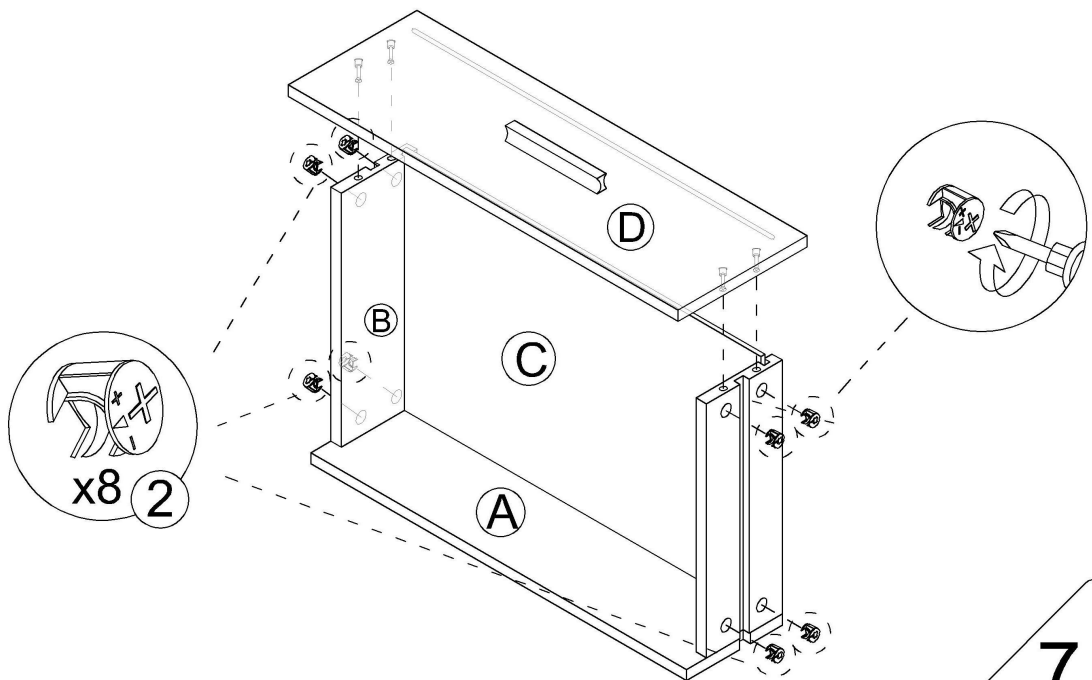
Step 3



Step 4

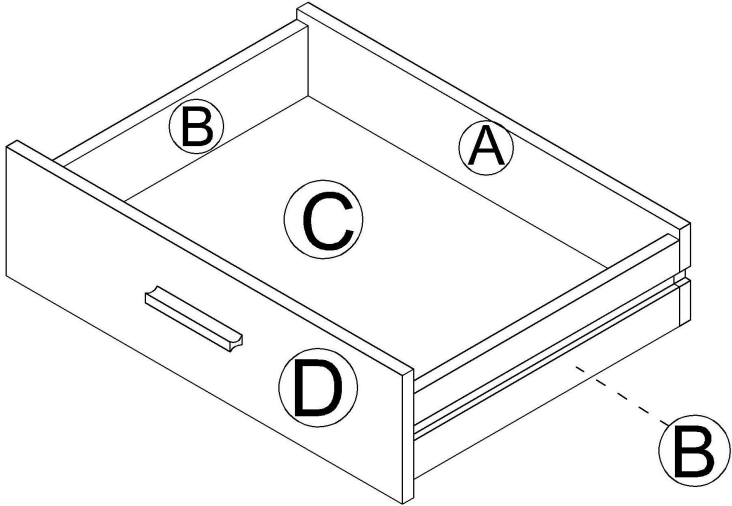
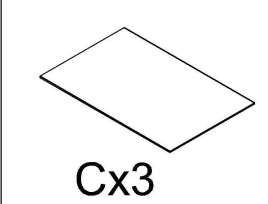
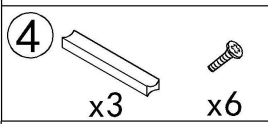
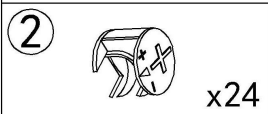
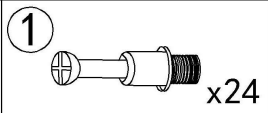


Step 5



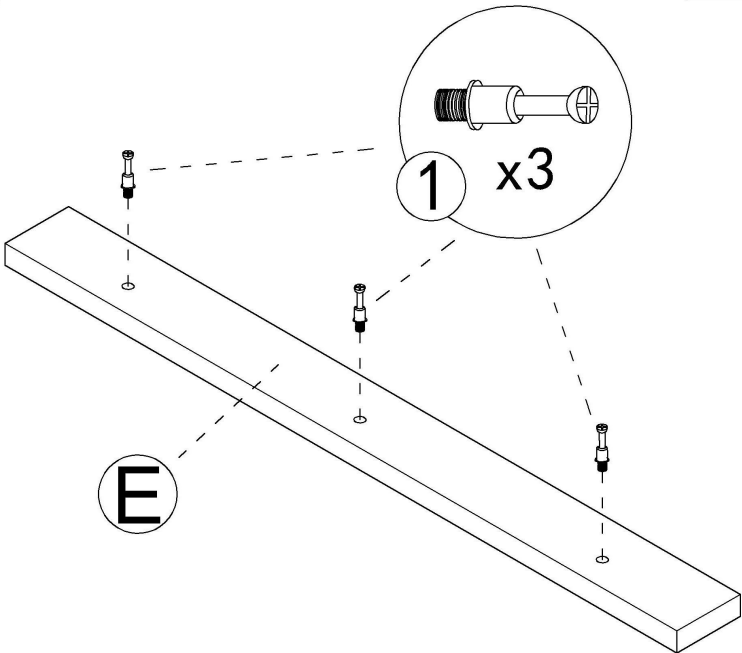
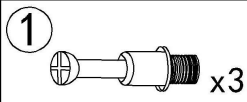
Step 6

x3

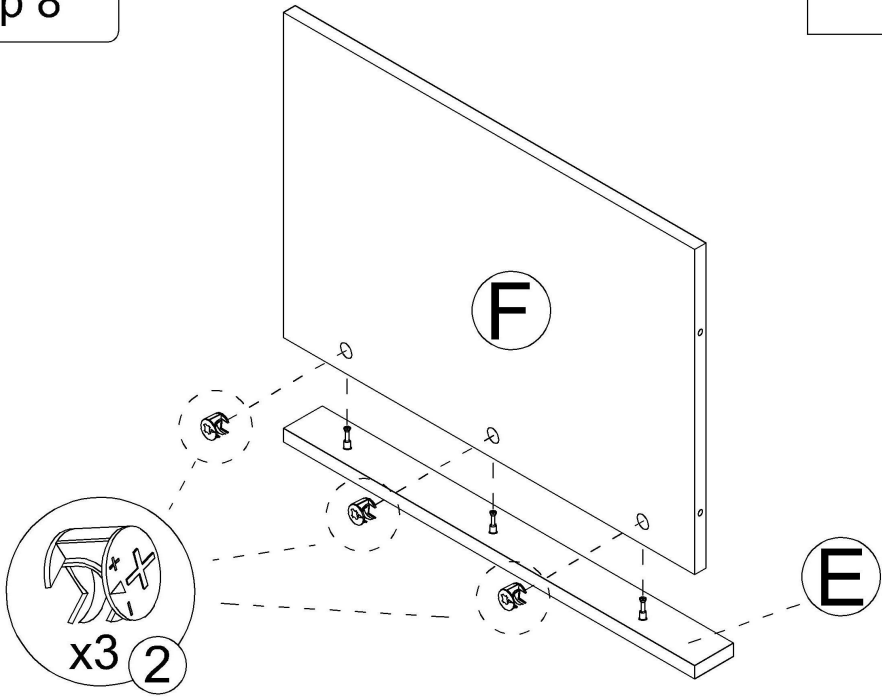


Repeat the drawer installation steps

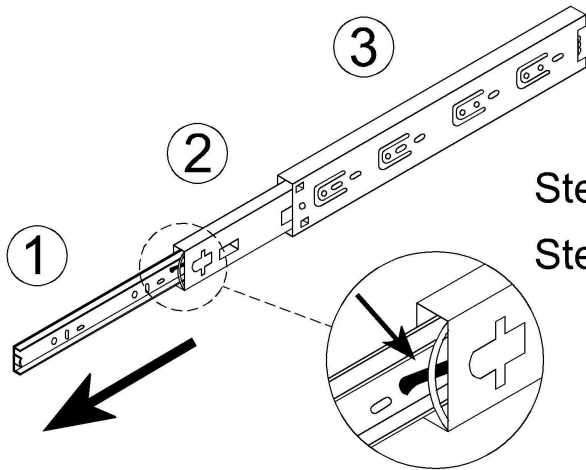
Step 7



Step 8



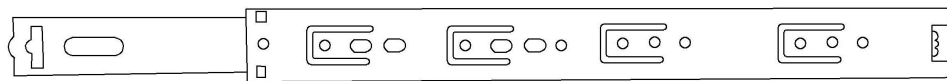
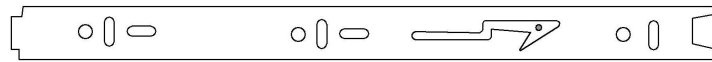
Exploded view of drawer guide rail



Step 1 : Pull the guide rail apart

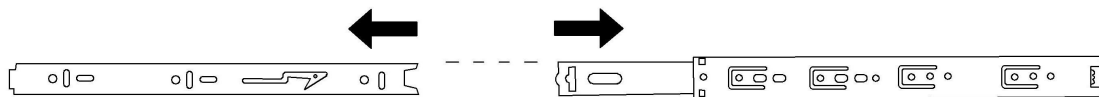
Step 2 : Push the nylon buckle and pull outward ①

①



②

③

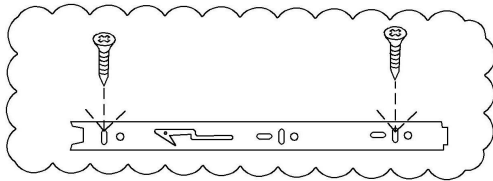


①

②

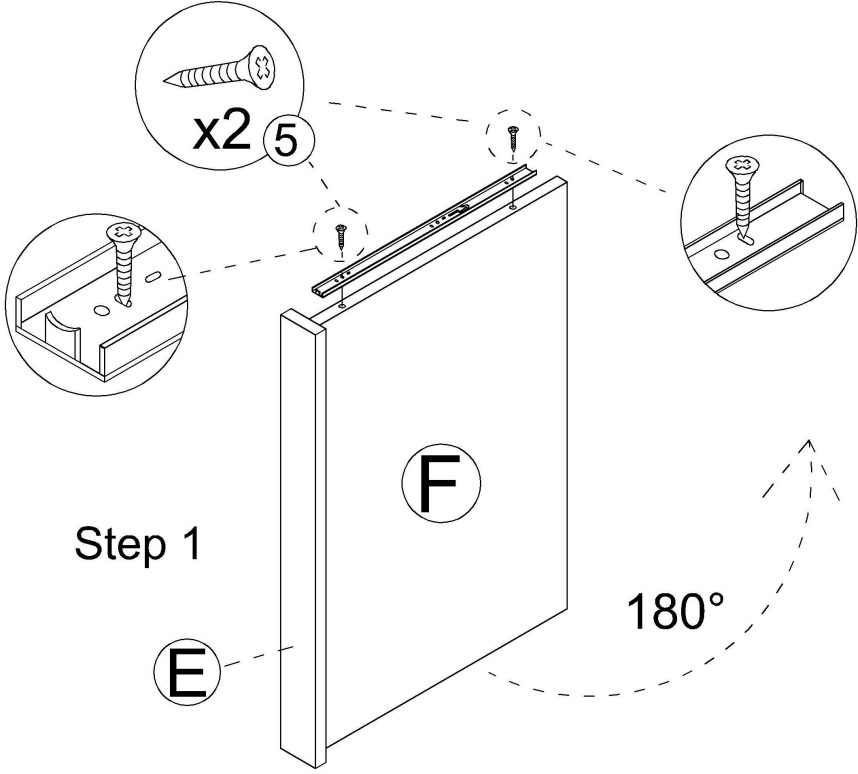
③

Step 9



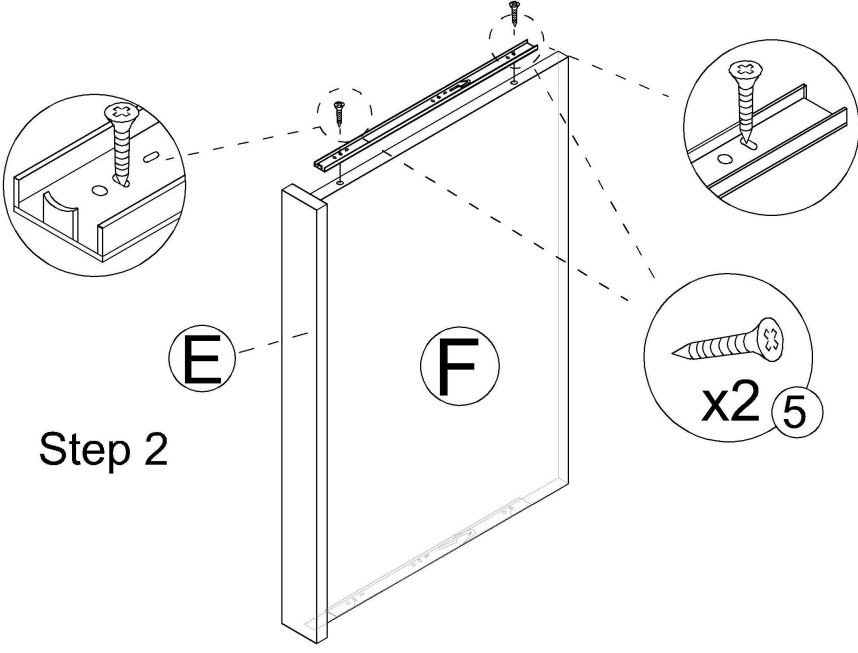
5 x4

x2

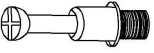
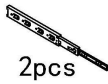





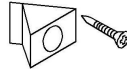
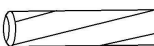

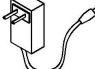


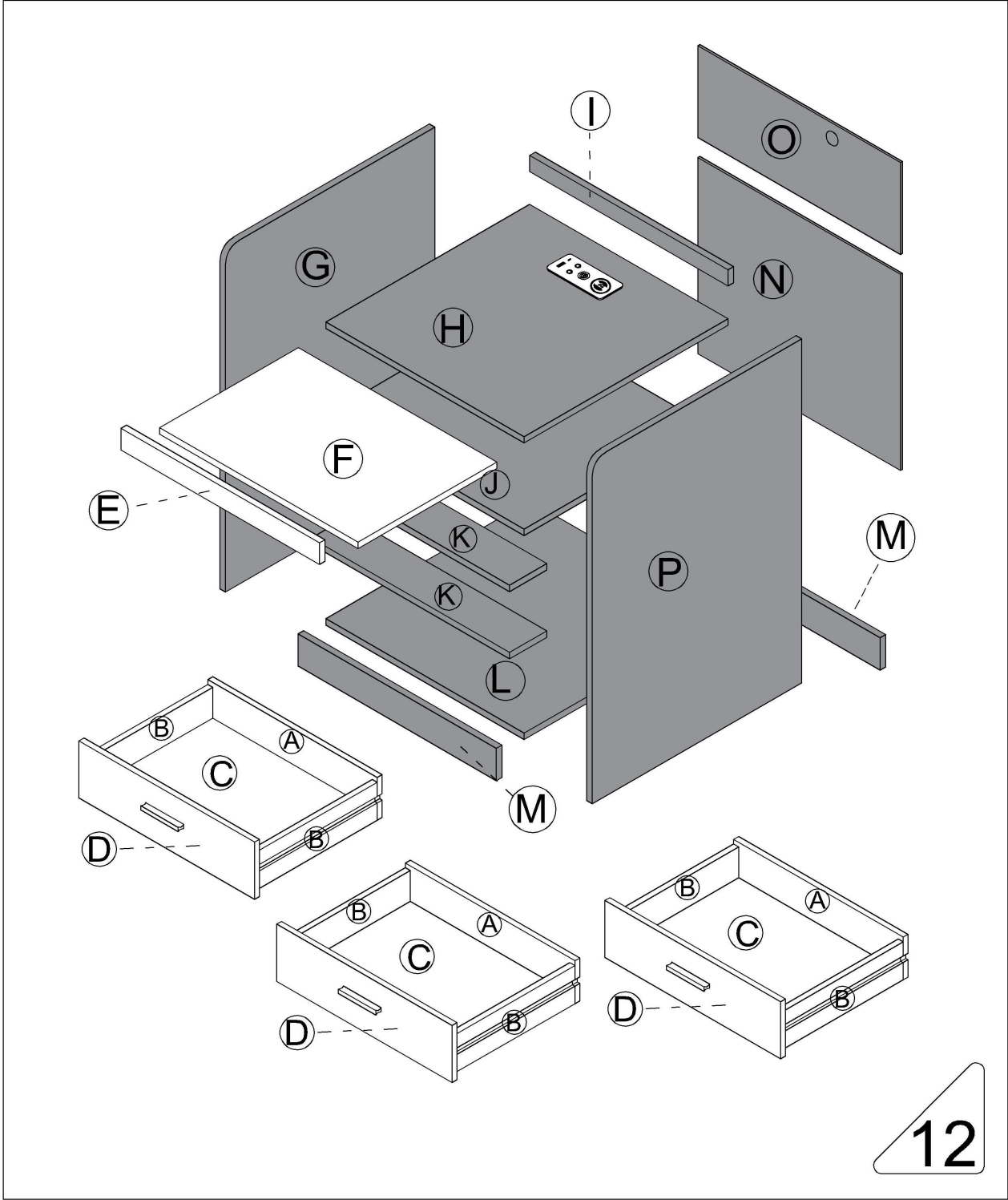
Step 1

180°

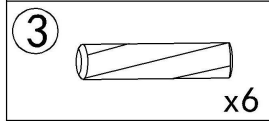
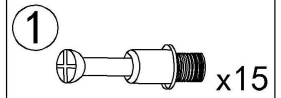
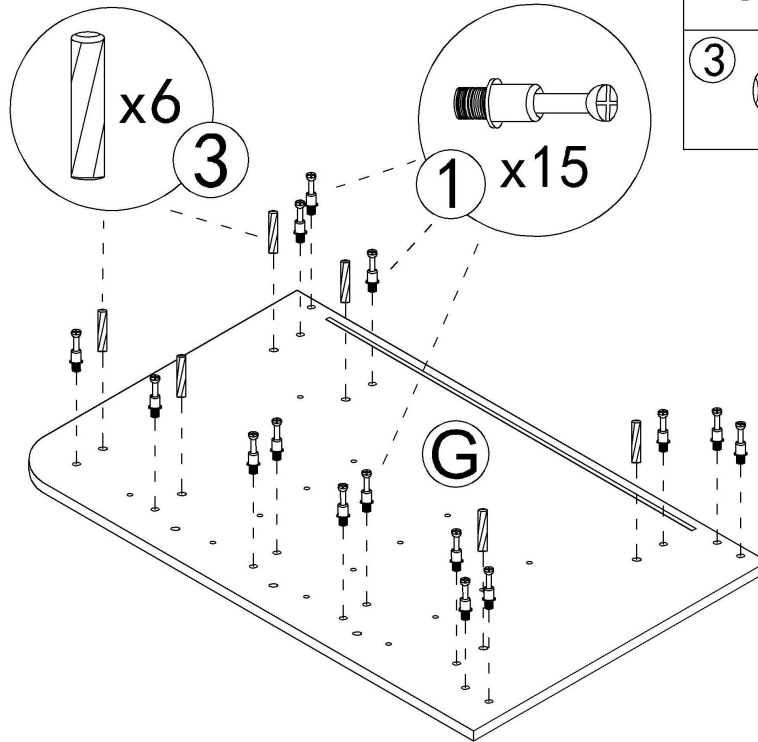


Step 2

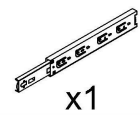
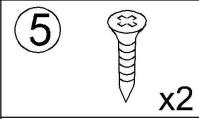
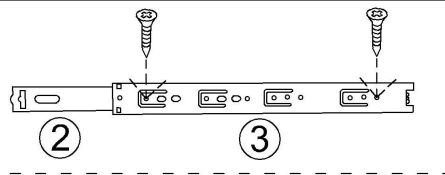
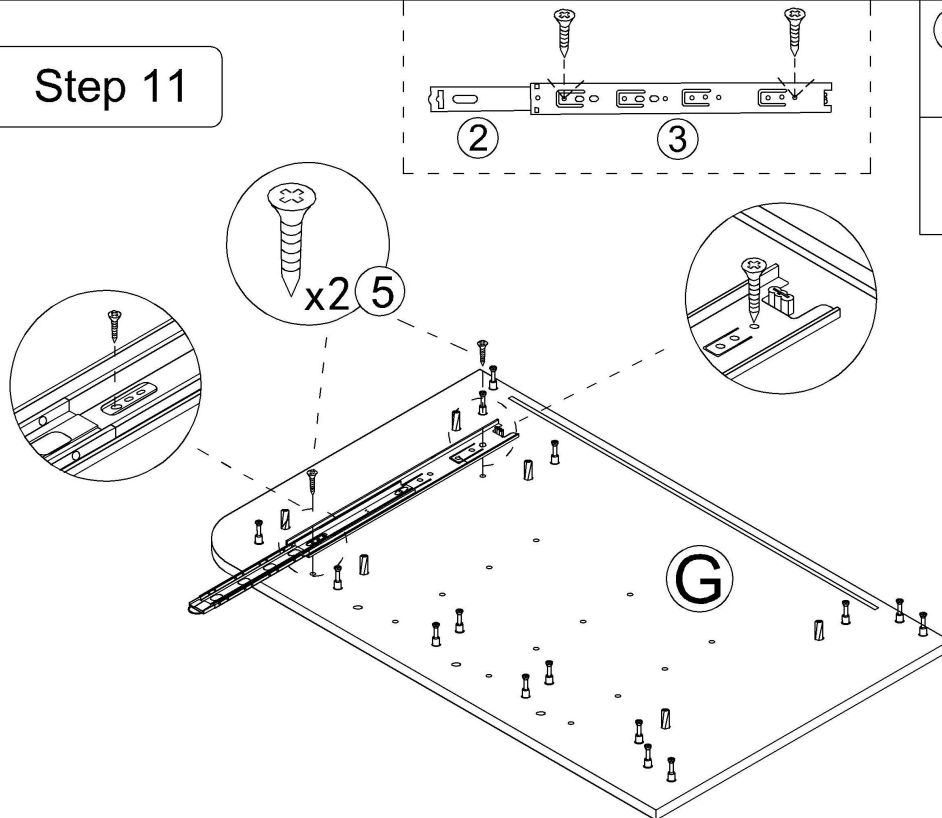
①		33pcs	⑤		2pcs		6pcs	⑧		4pcs
②		33pcs	⑥		6pcs		24pcs	⑨		4pcs
③		12pcs	⑦		6pcs					1pcs



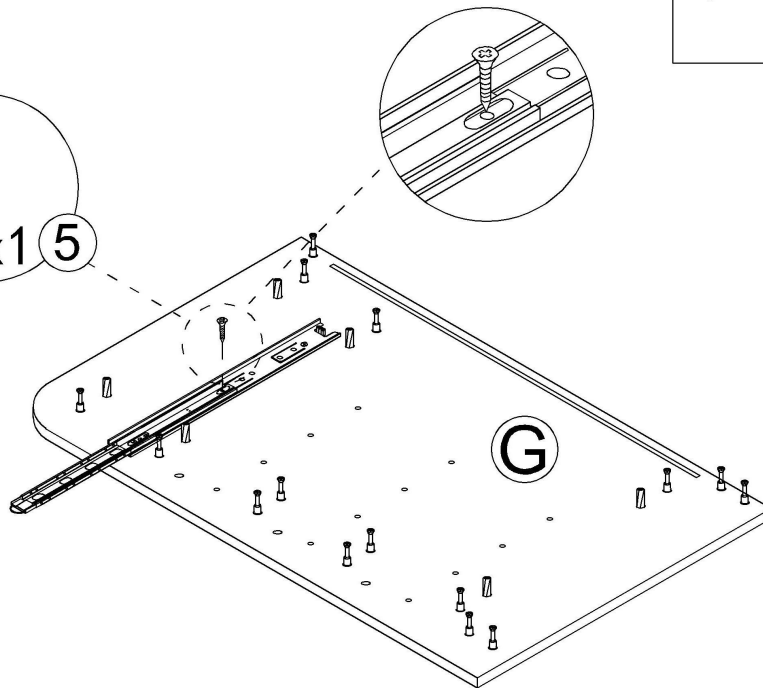
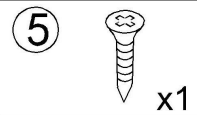
Step 10



Step 11

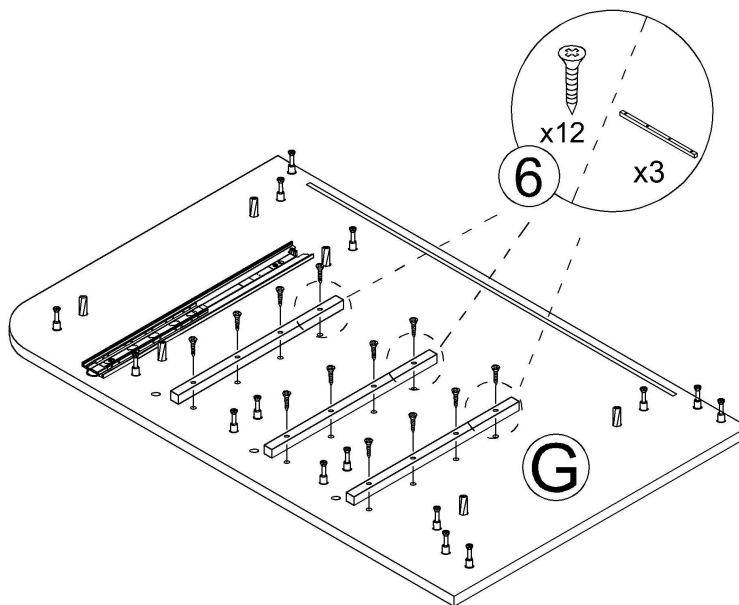
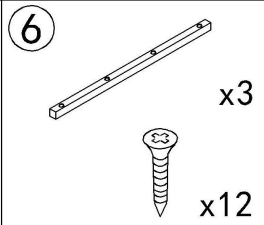


Step 12

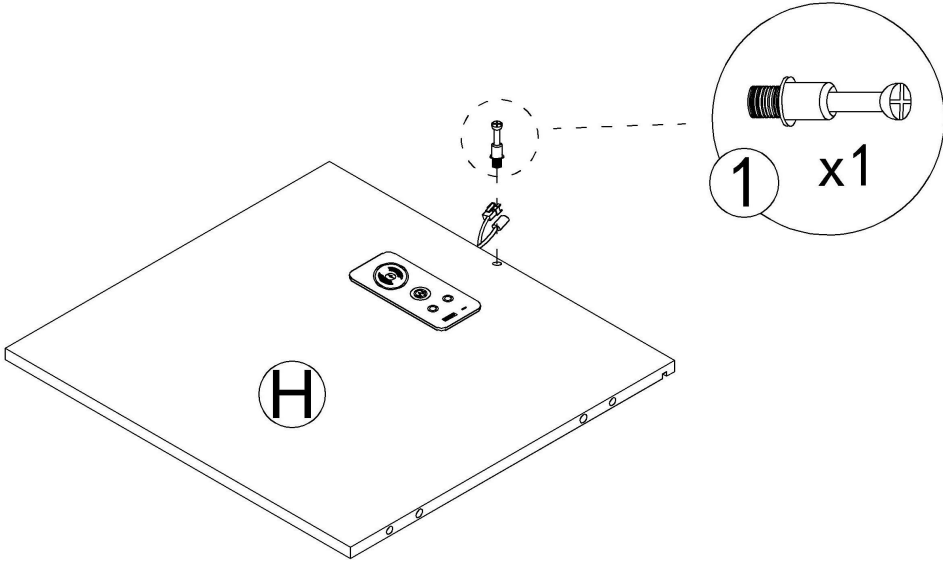
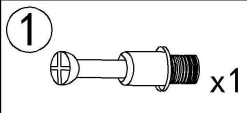


This hole is for strengthening fixed hole customers can choose to install according to their needs.

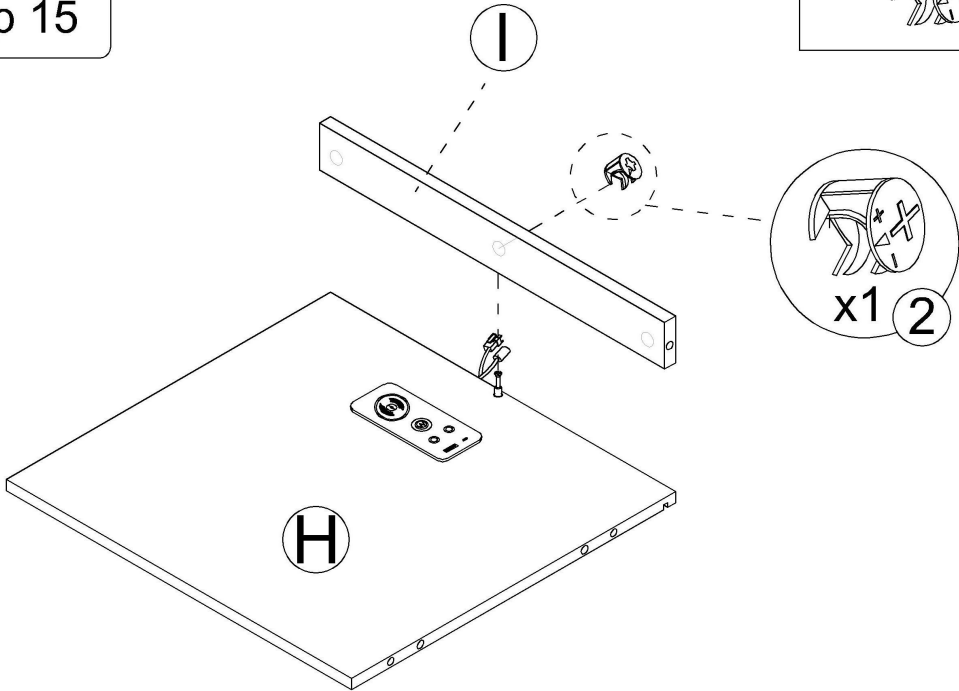
Step 13



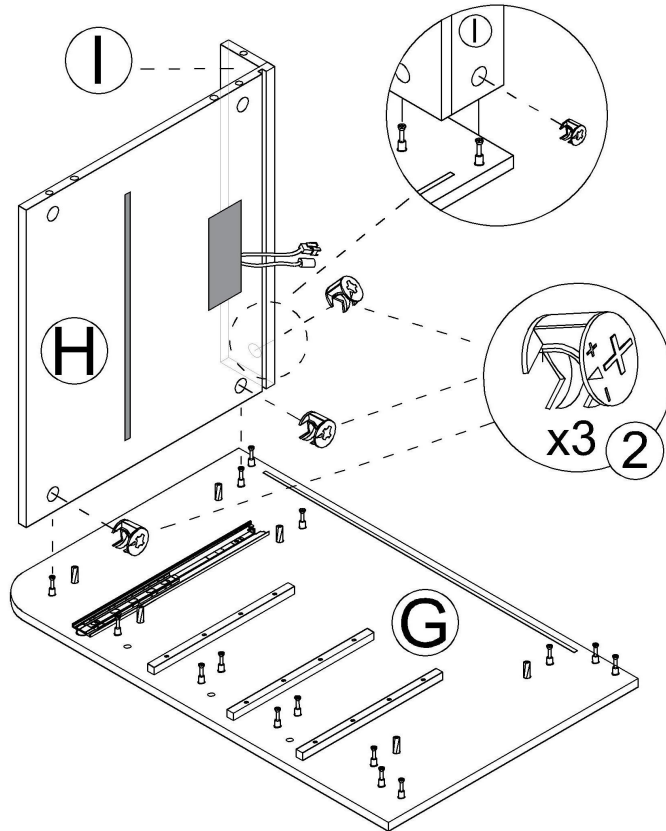
Step 14



Step 15

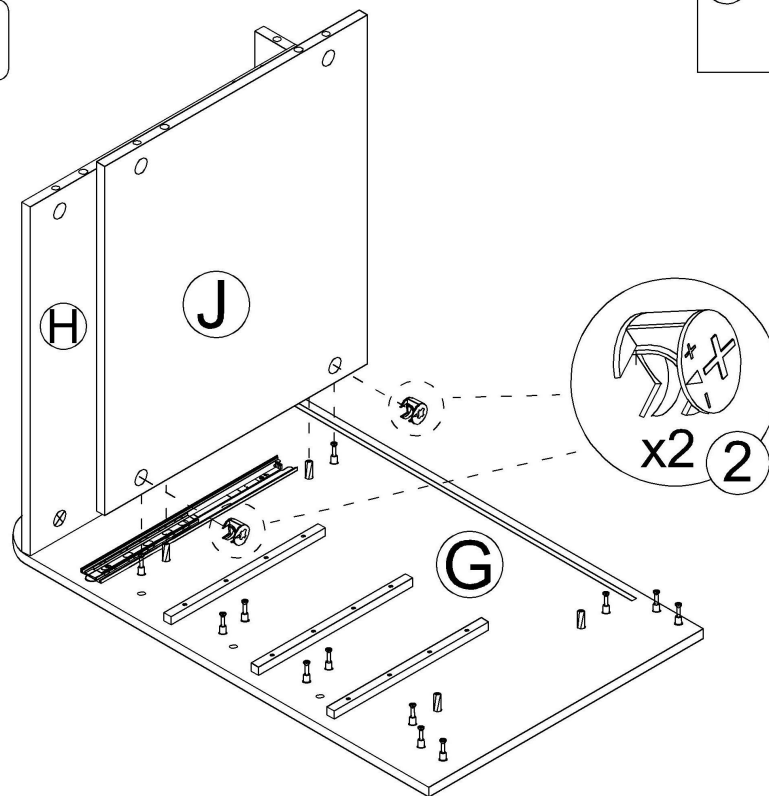


Step 16



2 x3

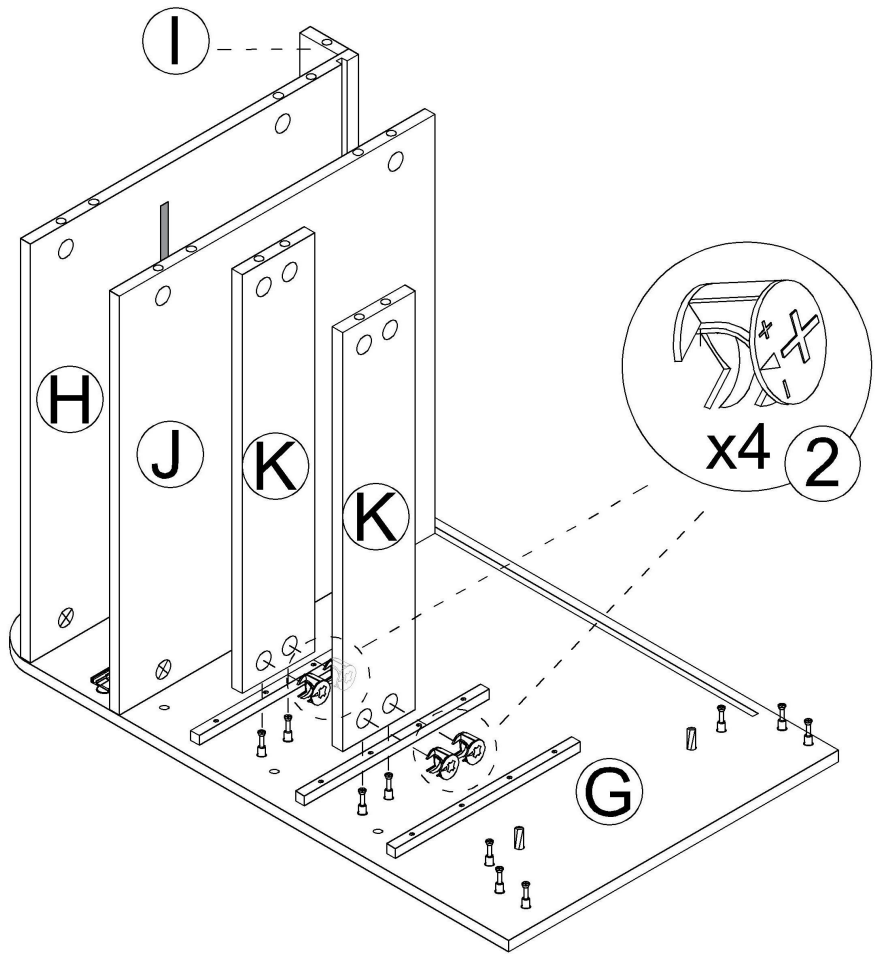
Step 17



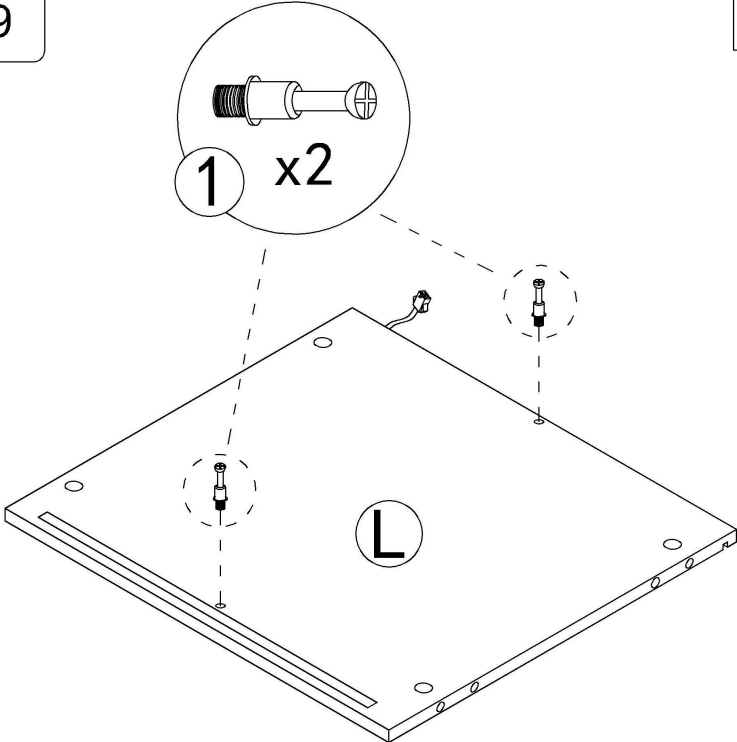
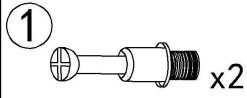
2 x2

Step 18

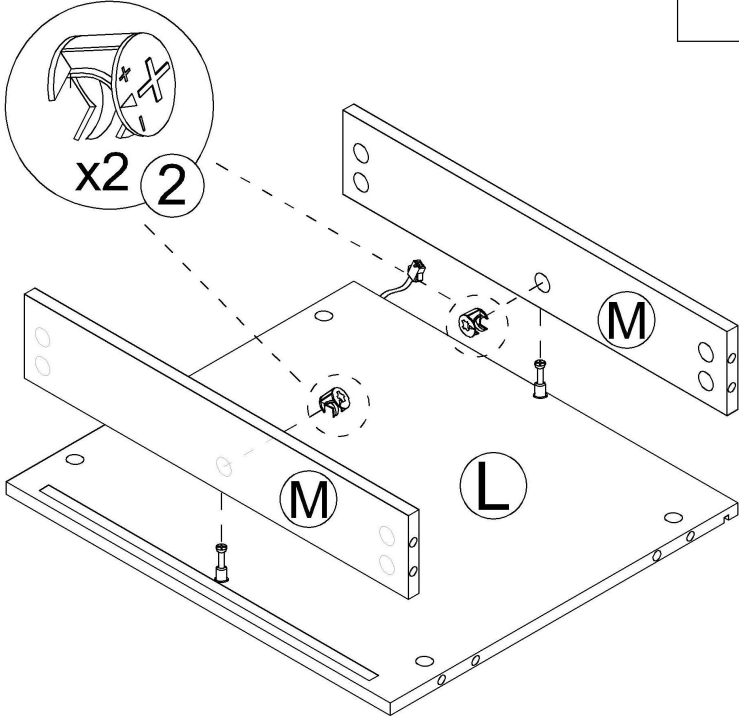
2  x4



Step 19



Step 20

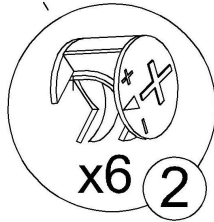
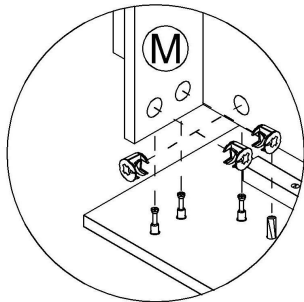
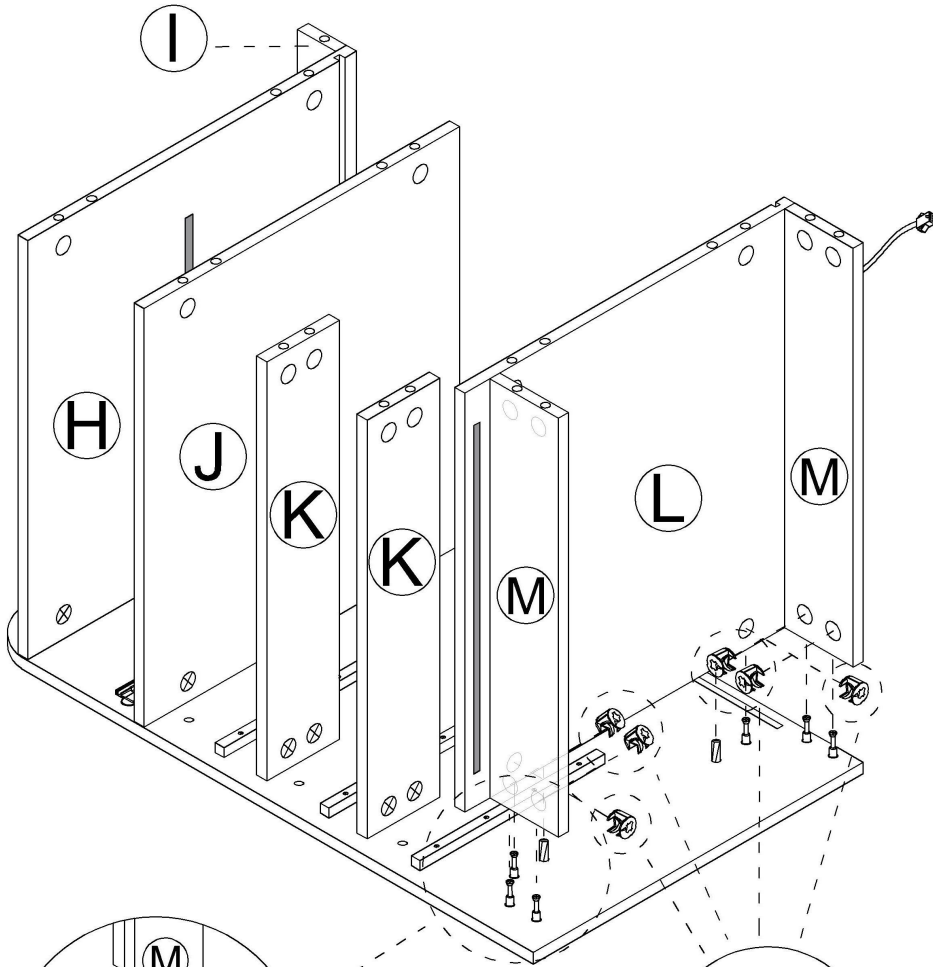


Step 21

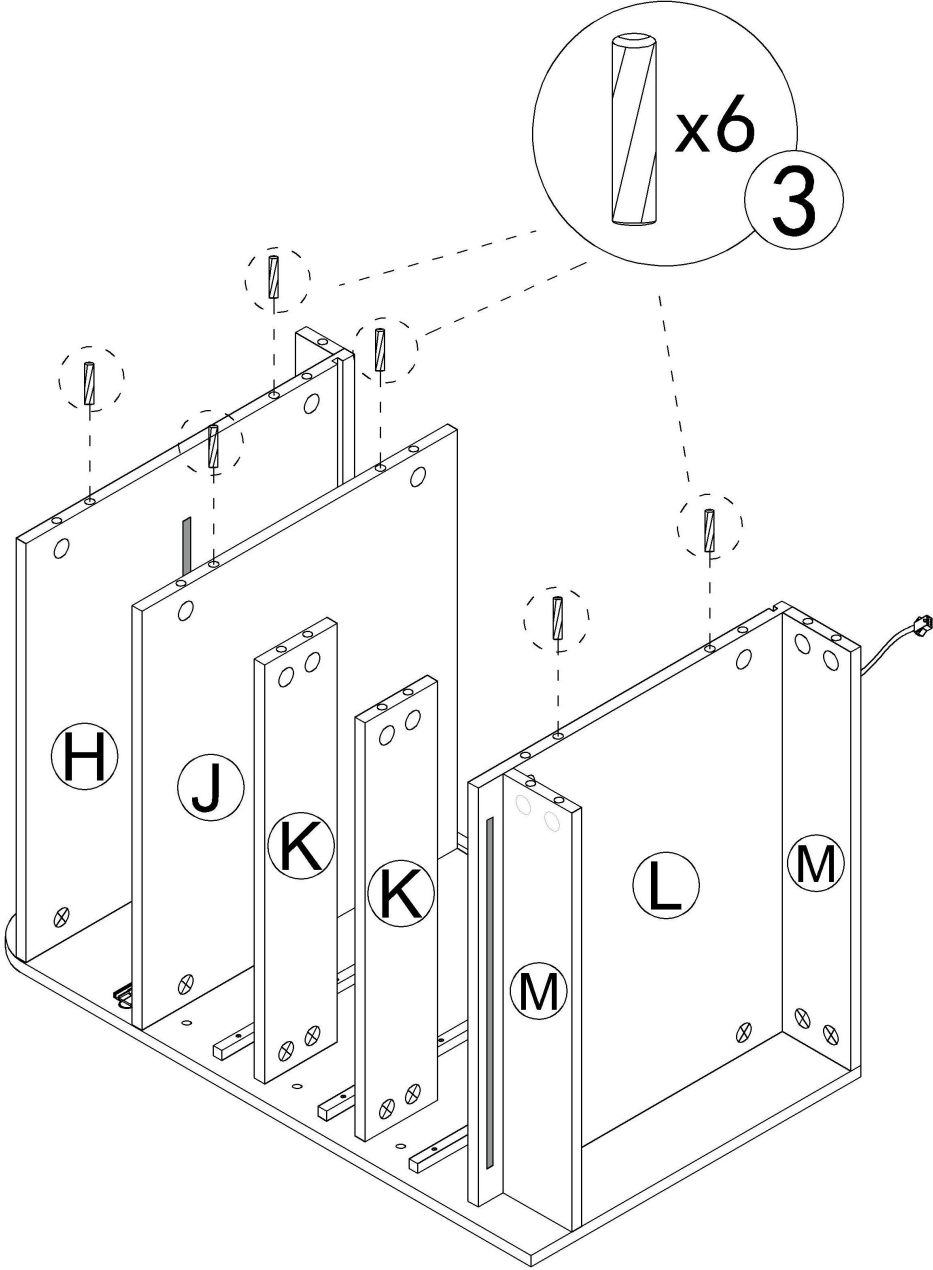
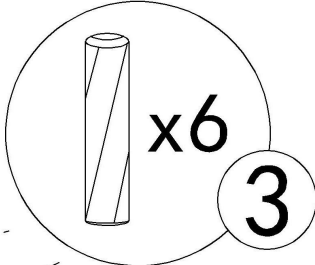
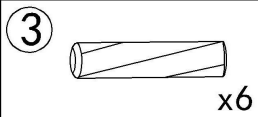
2



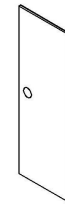
x6



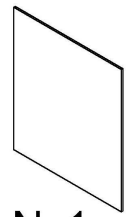
Step 22



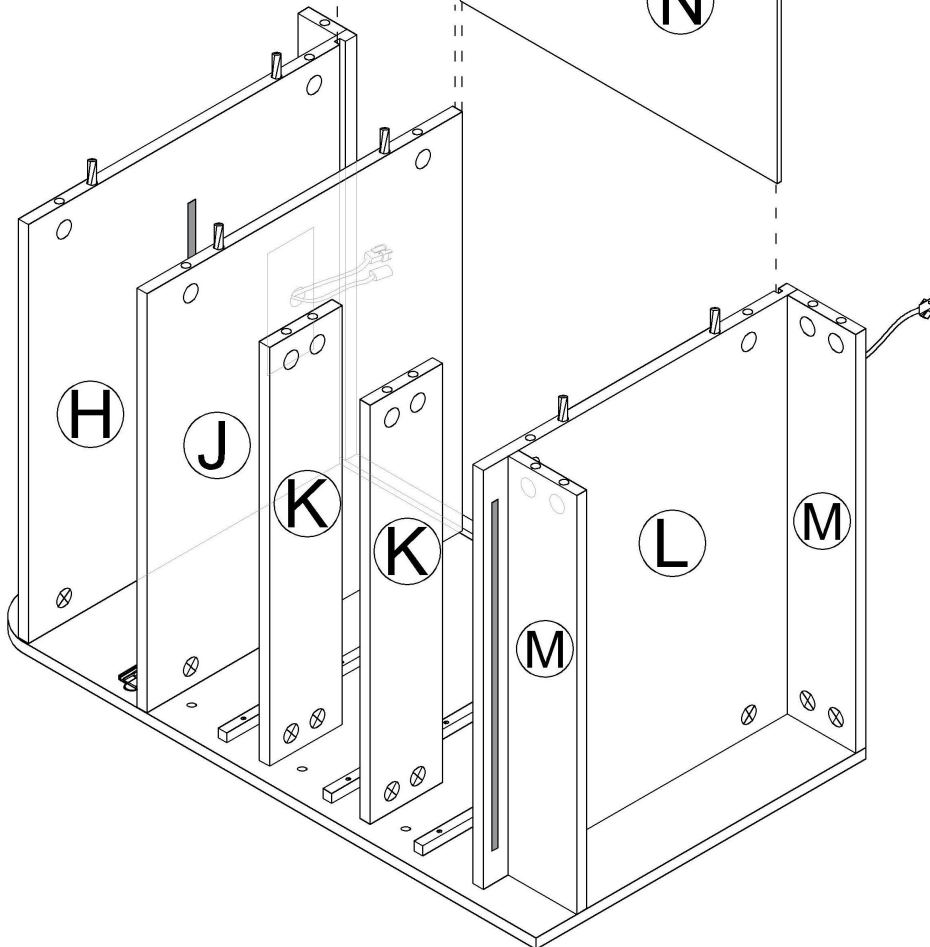
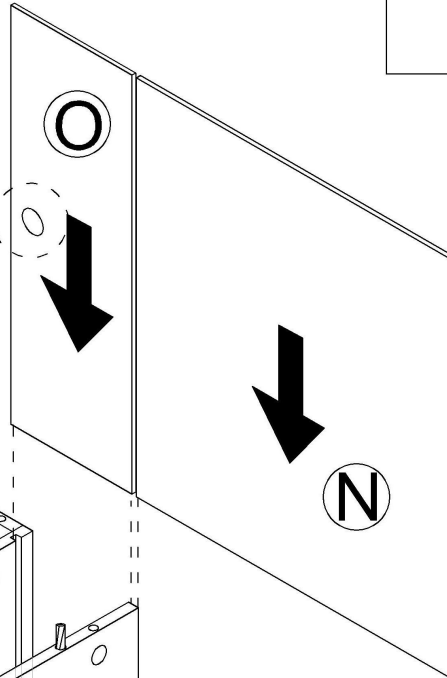
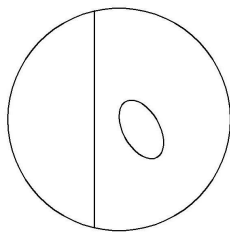
Step 23



Ox1

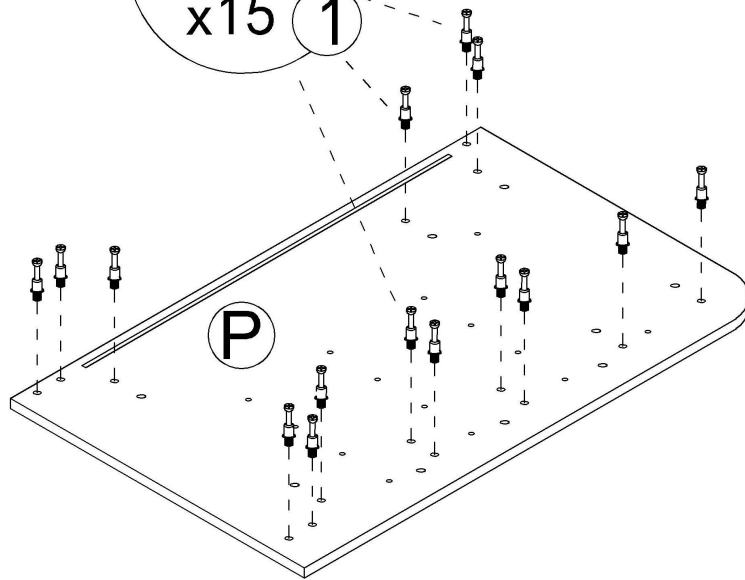
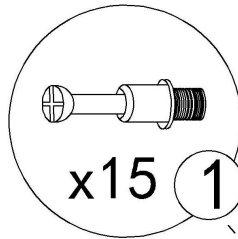
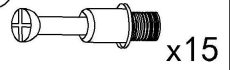


Nx1



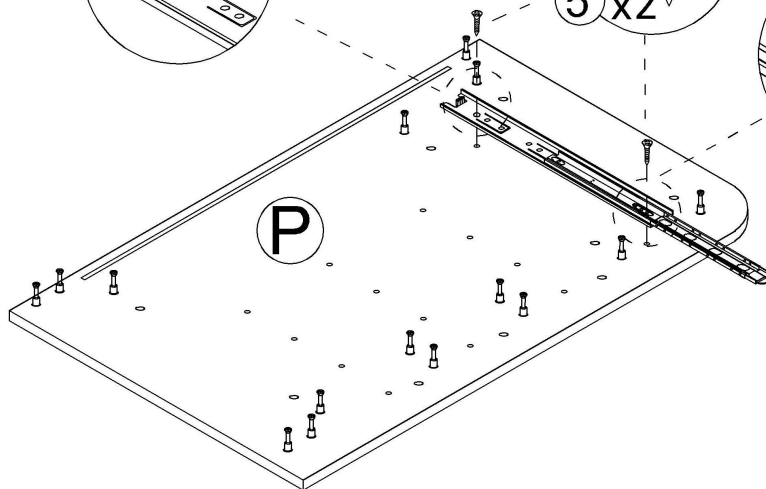
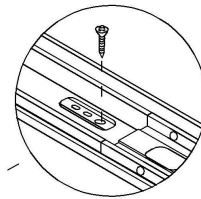
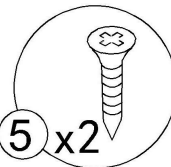
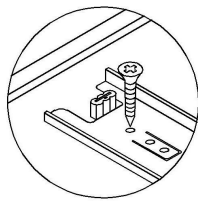
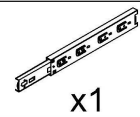
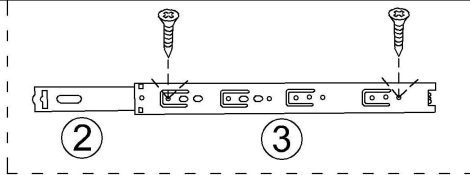
Step 24

1

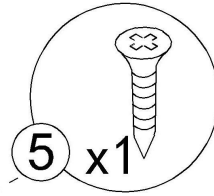
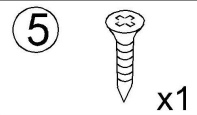
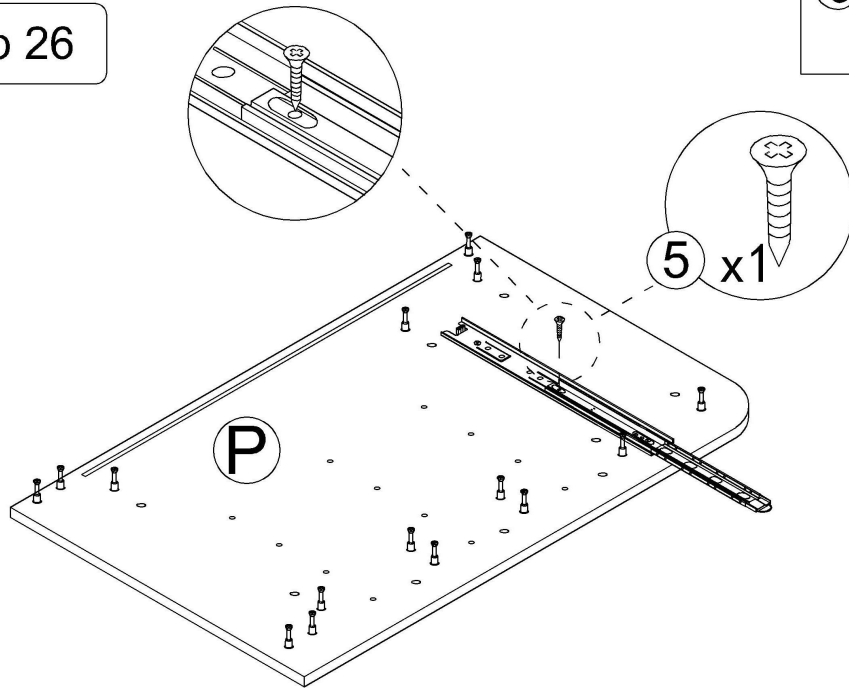


Step 25

5

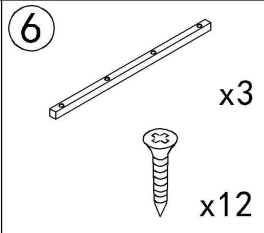
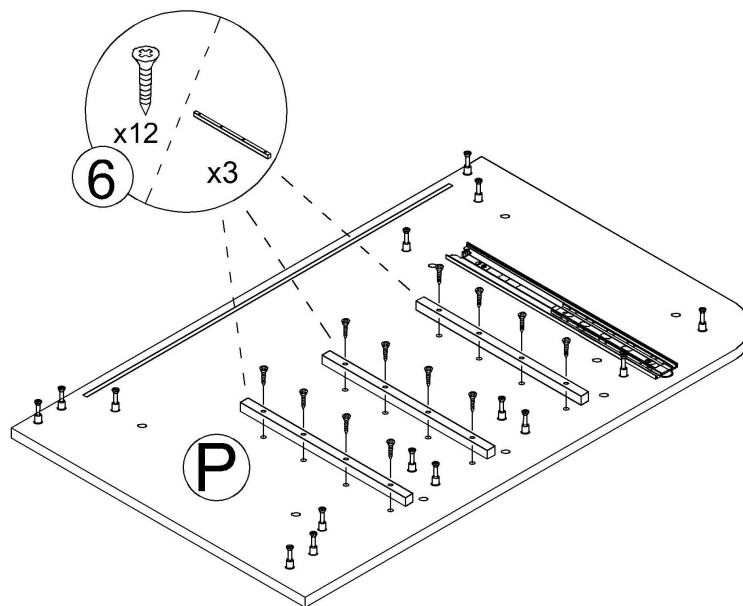


Step 26




This hole is for strengthening fixed hole customers can choose to install according to their needs.

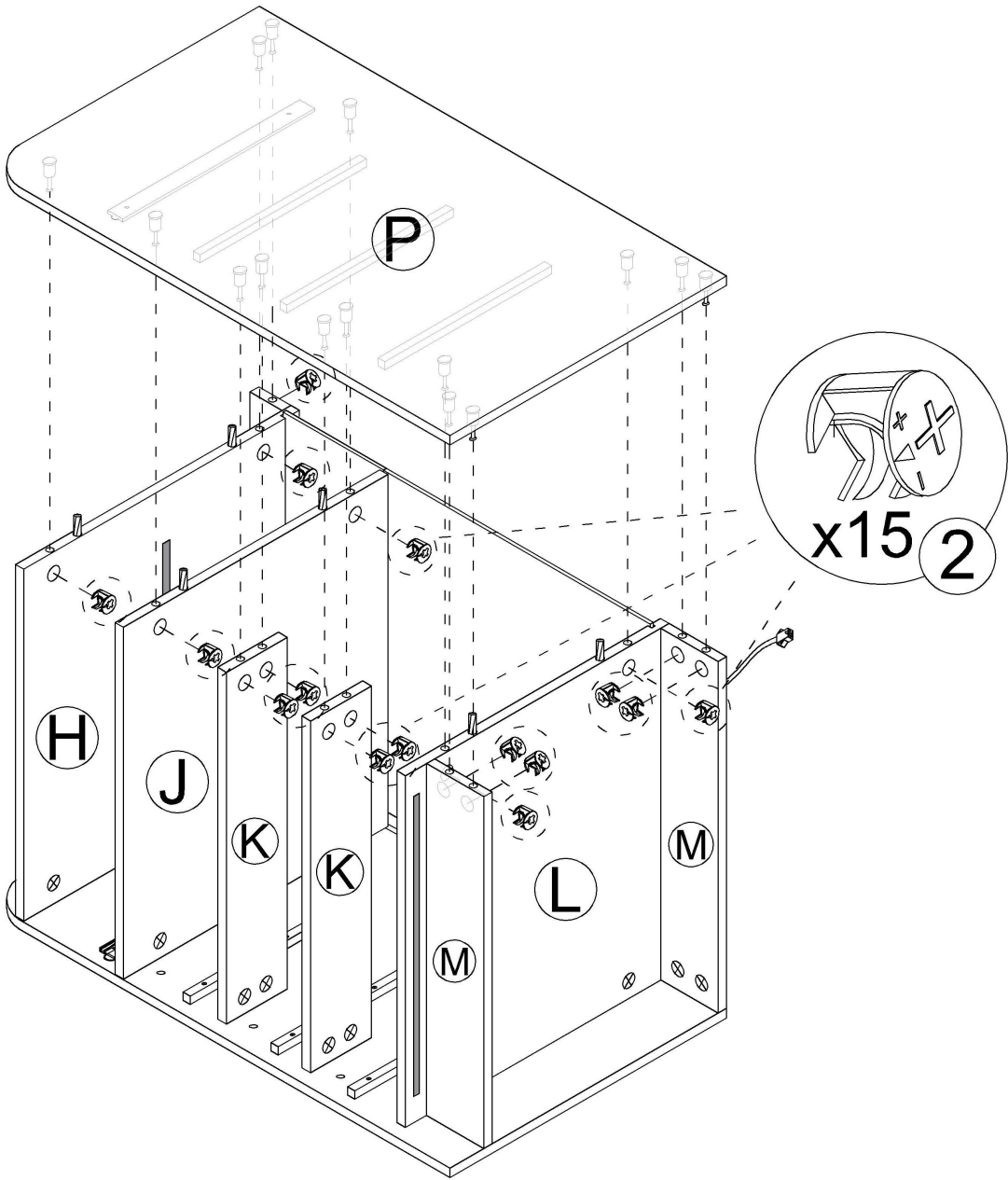
Step 27



P

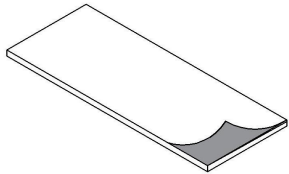
Step 28

2  x15



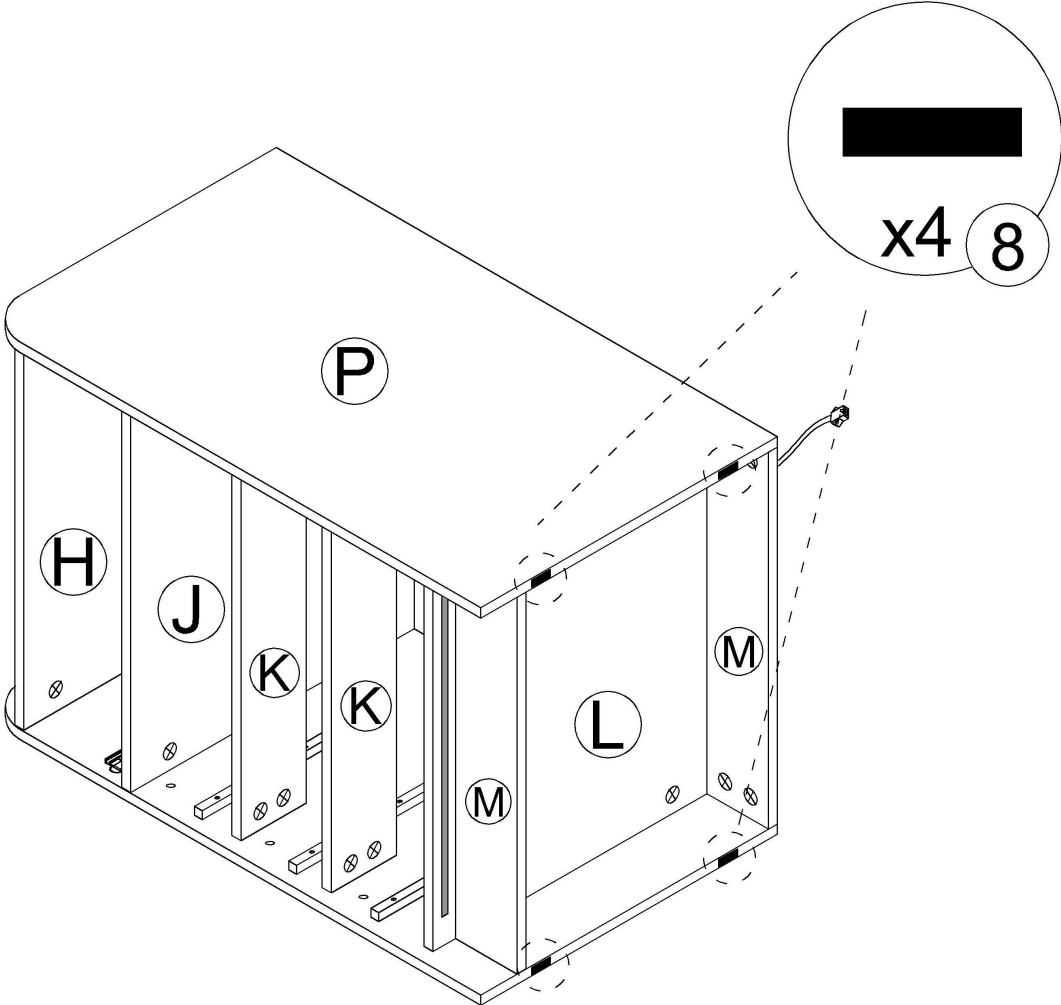
Step 29

8

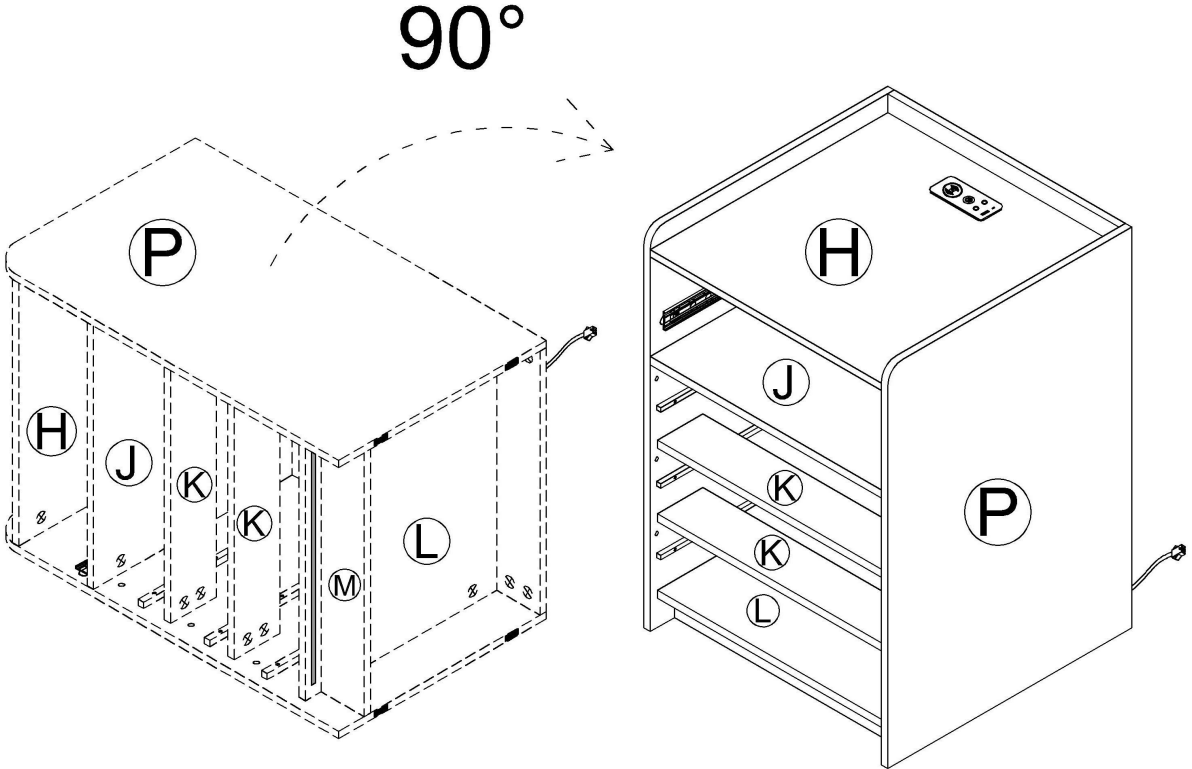


x4

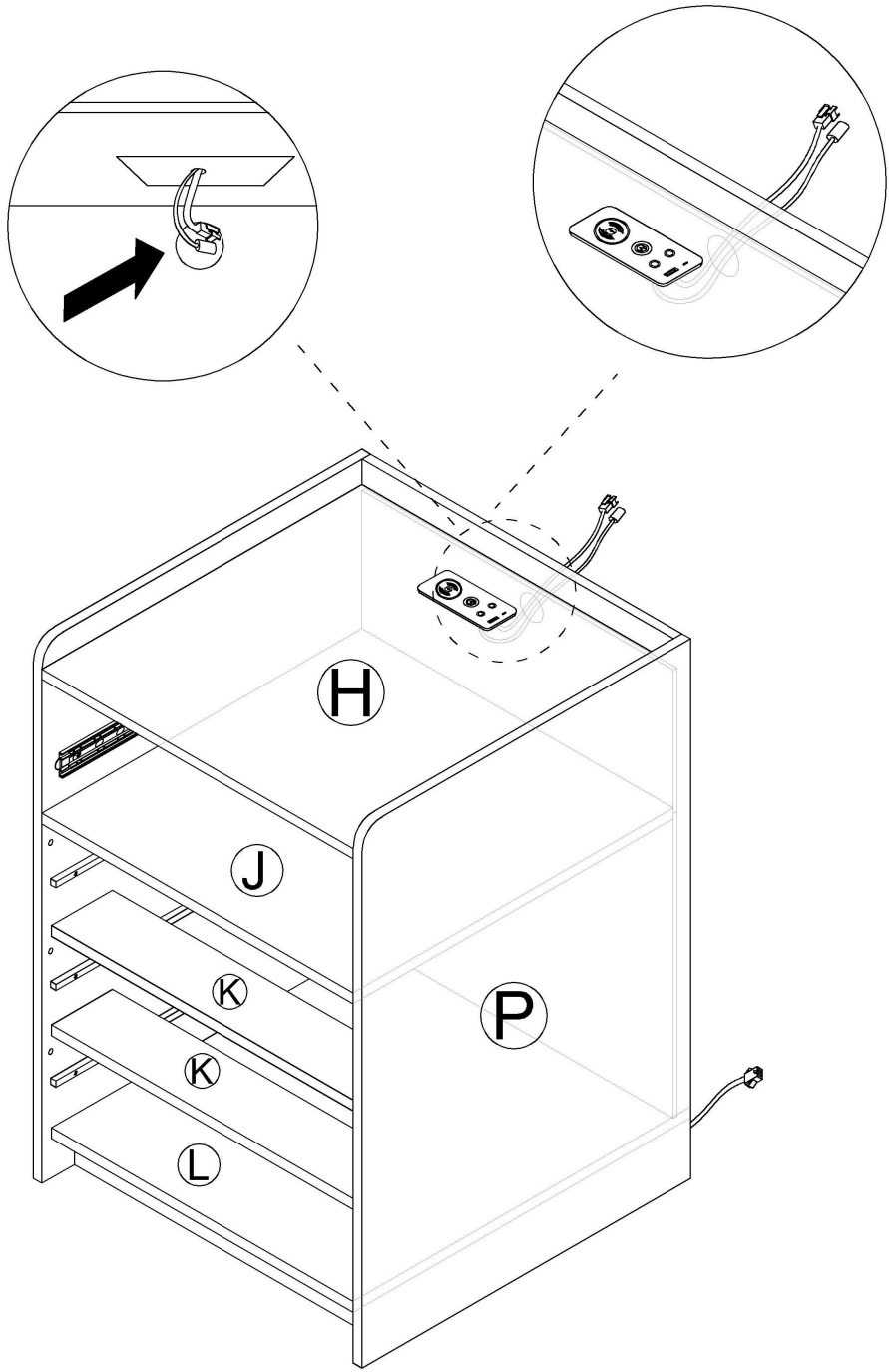
Tear off release paper and stick the black foot pad on the board



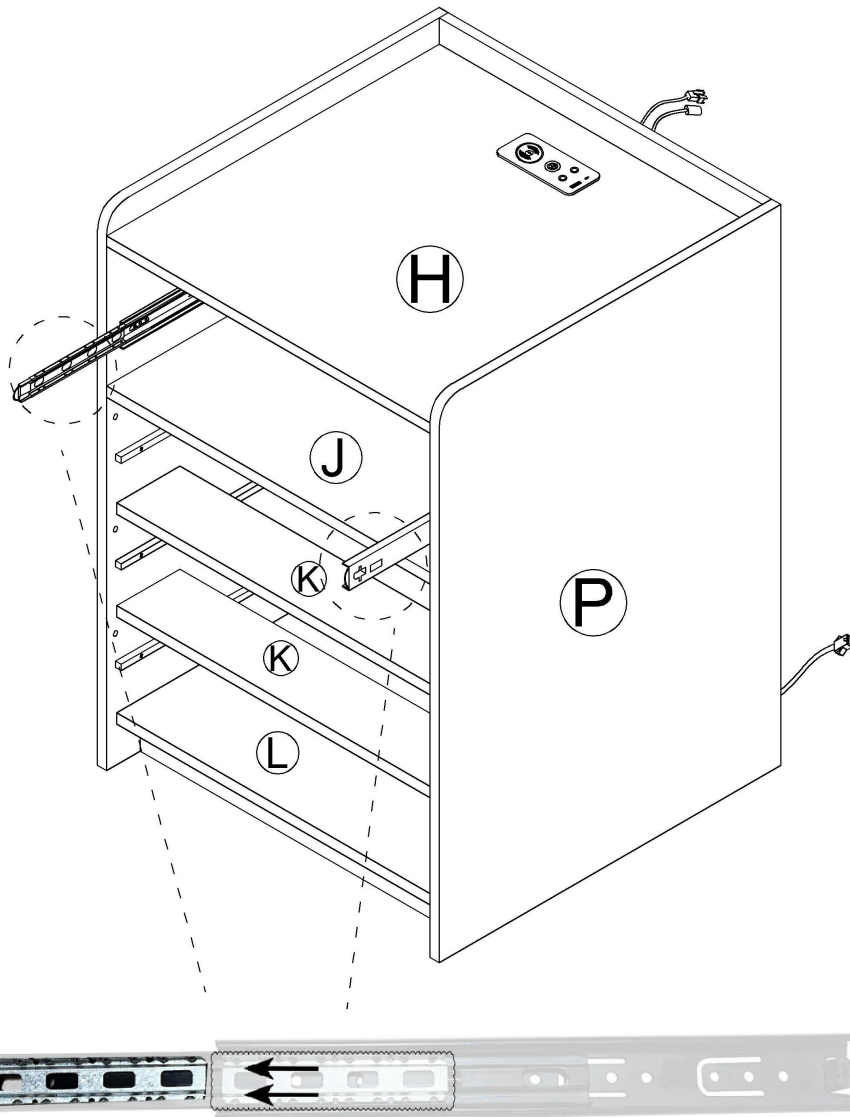
Step 30



Step 31

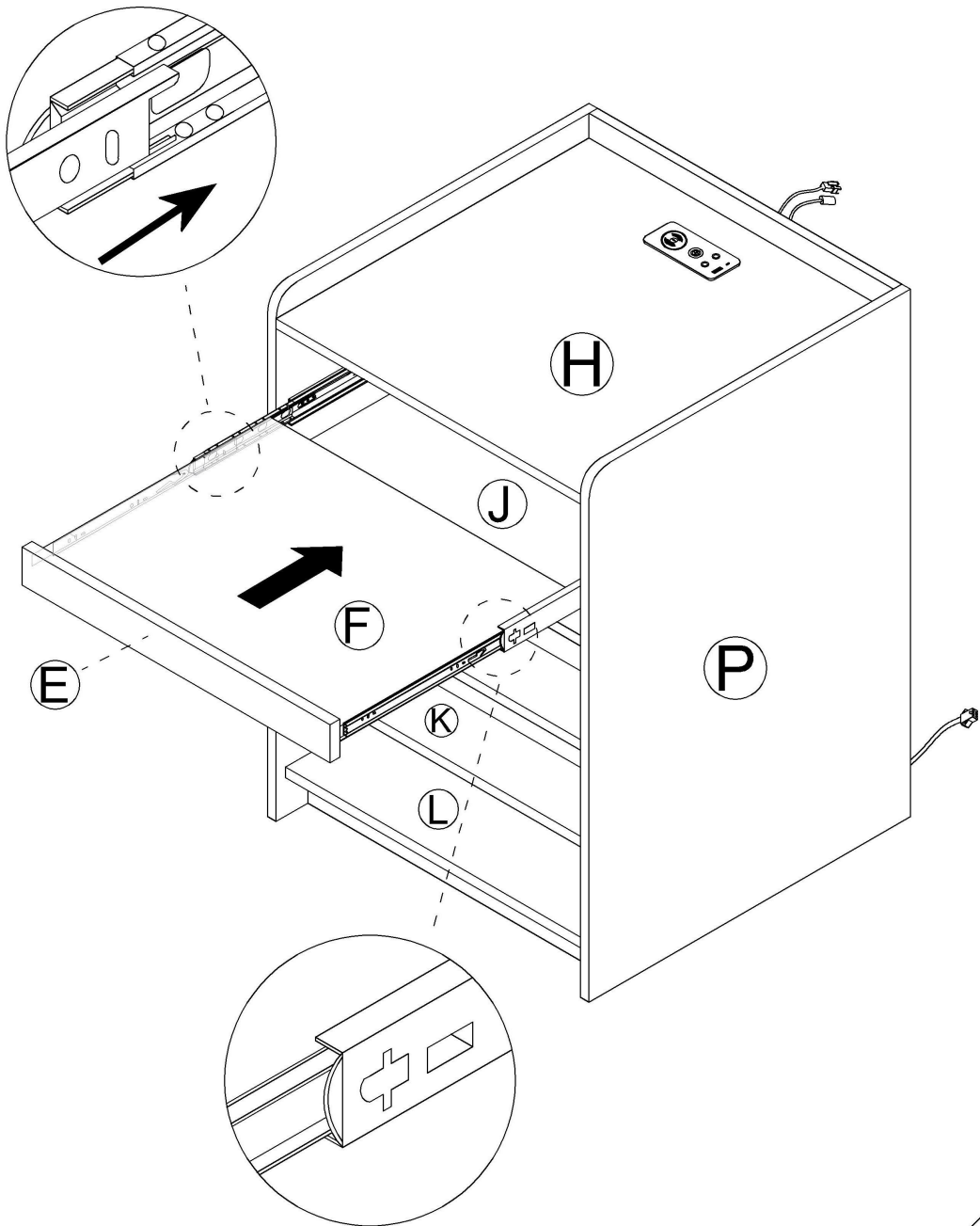


Step 32

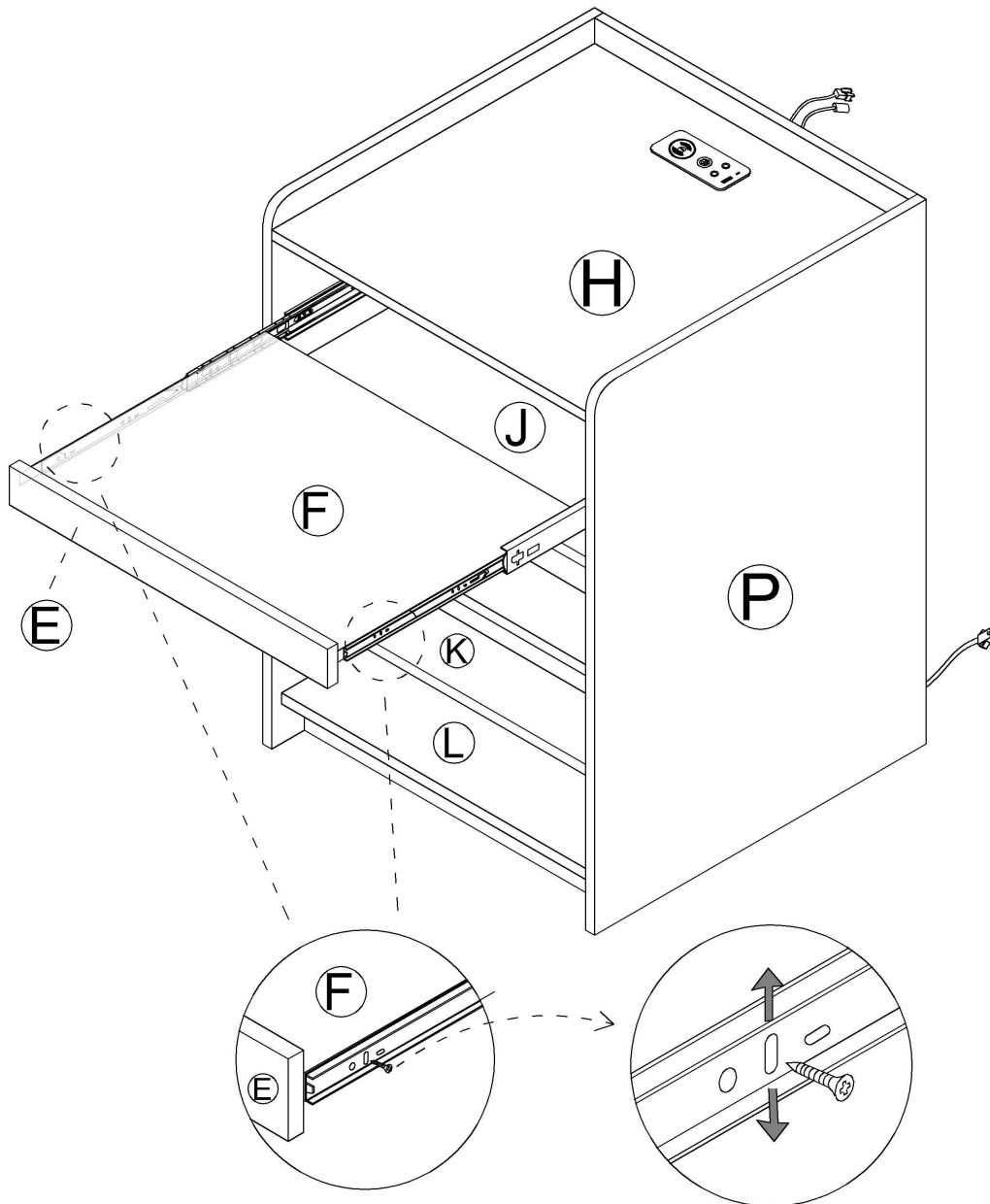


As shown, When installing the drawer,
pull the guide rail out first, Slide beads are also pulled out.

Step 33

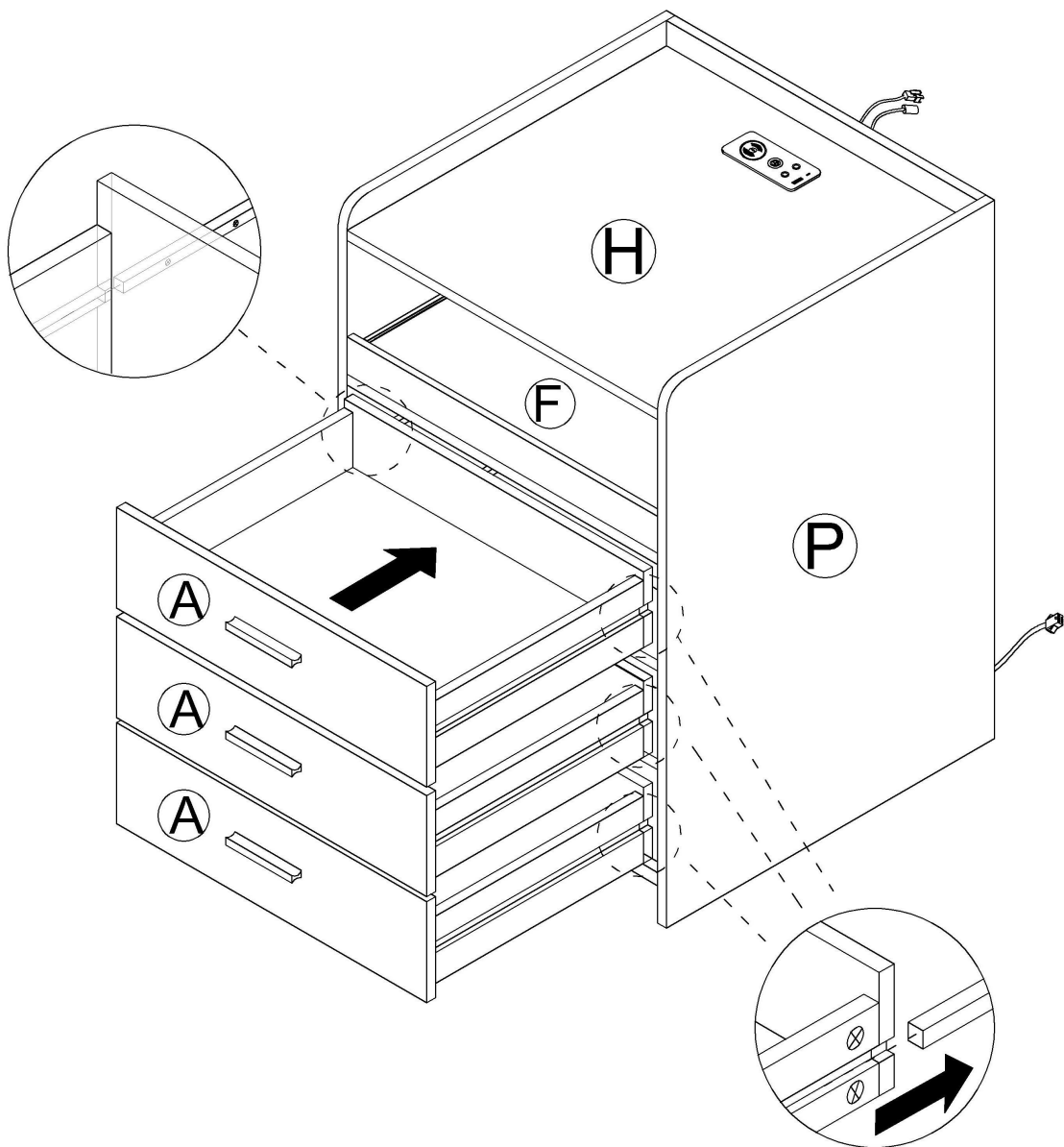


Step 34

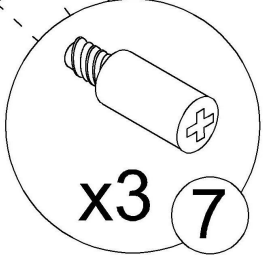
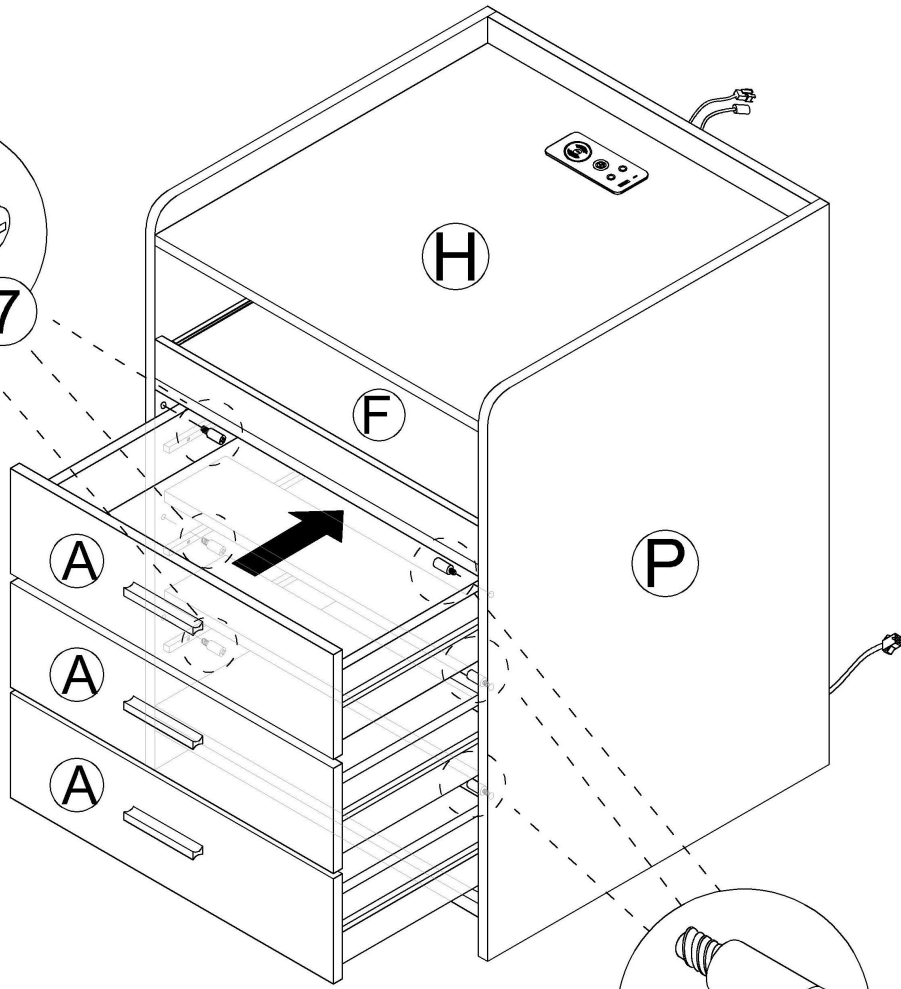
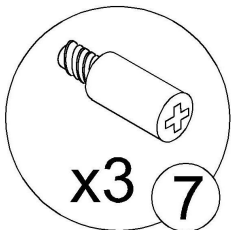
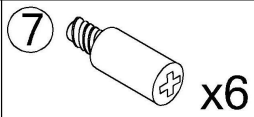


If a large gap is found after installing the drawer the slide rail can be moved up and down to adjust the gap

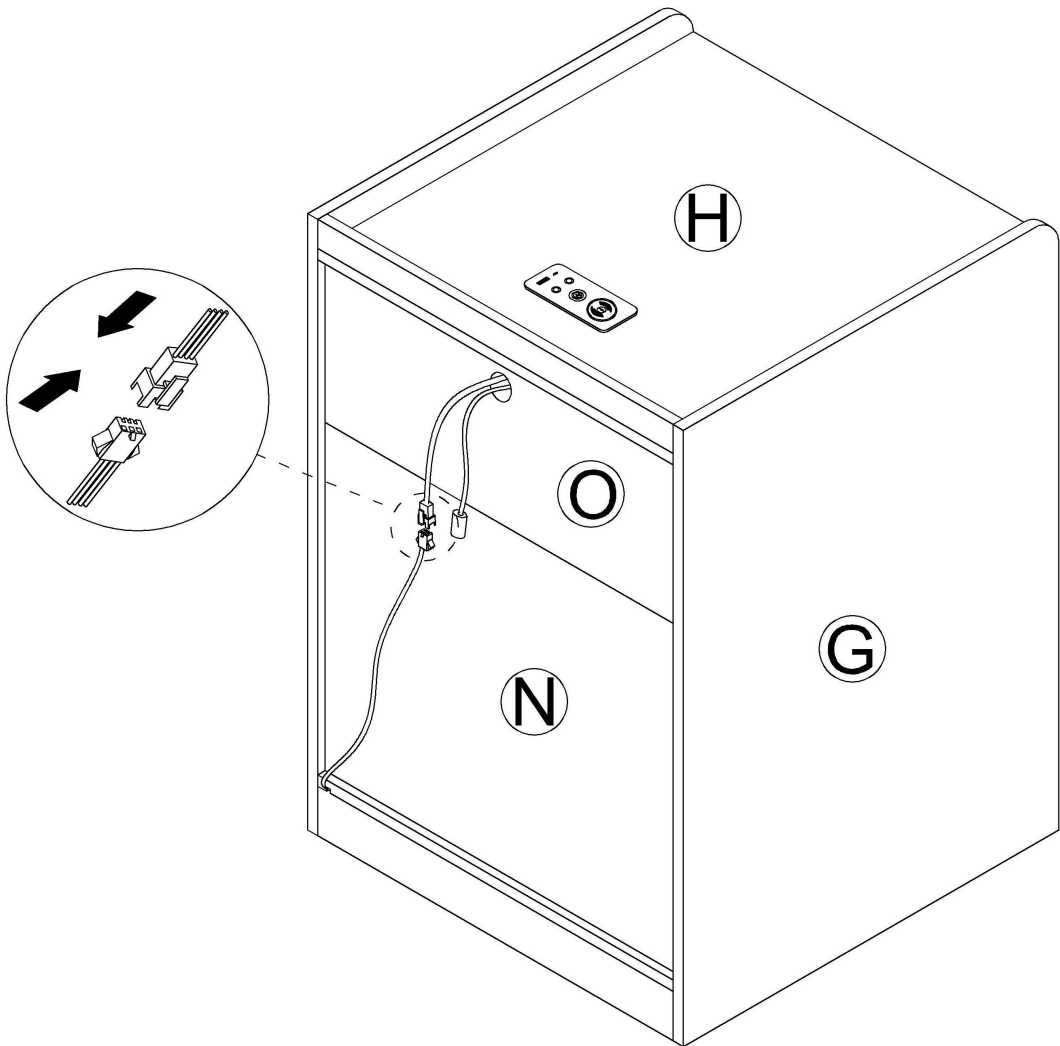
Step 35



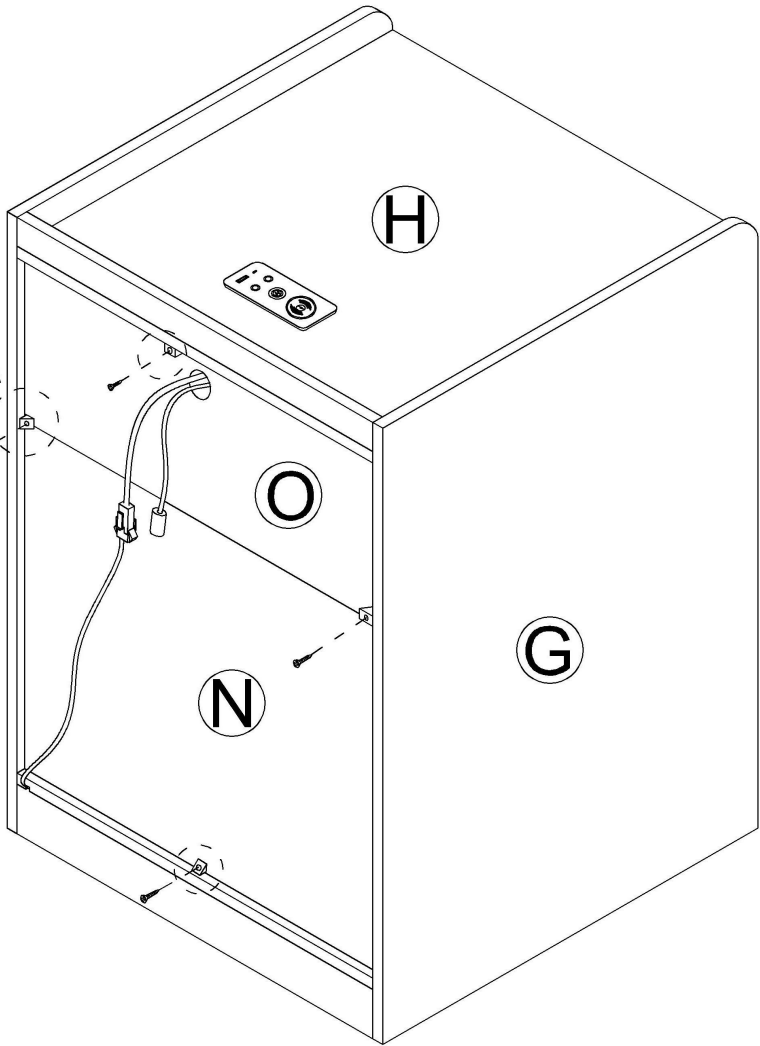
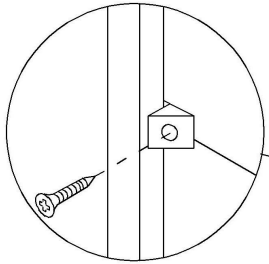
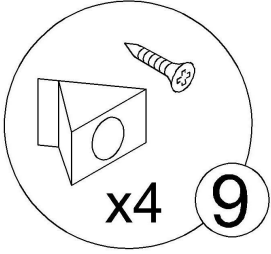
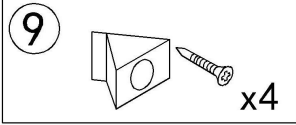
Step 36

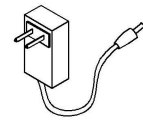


Step 37



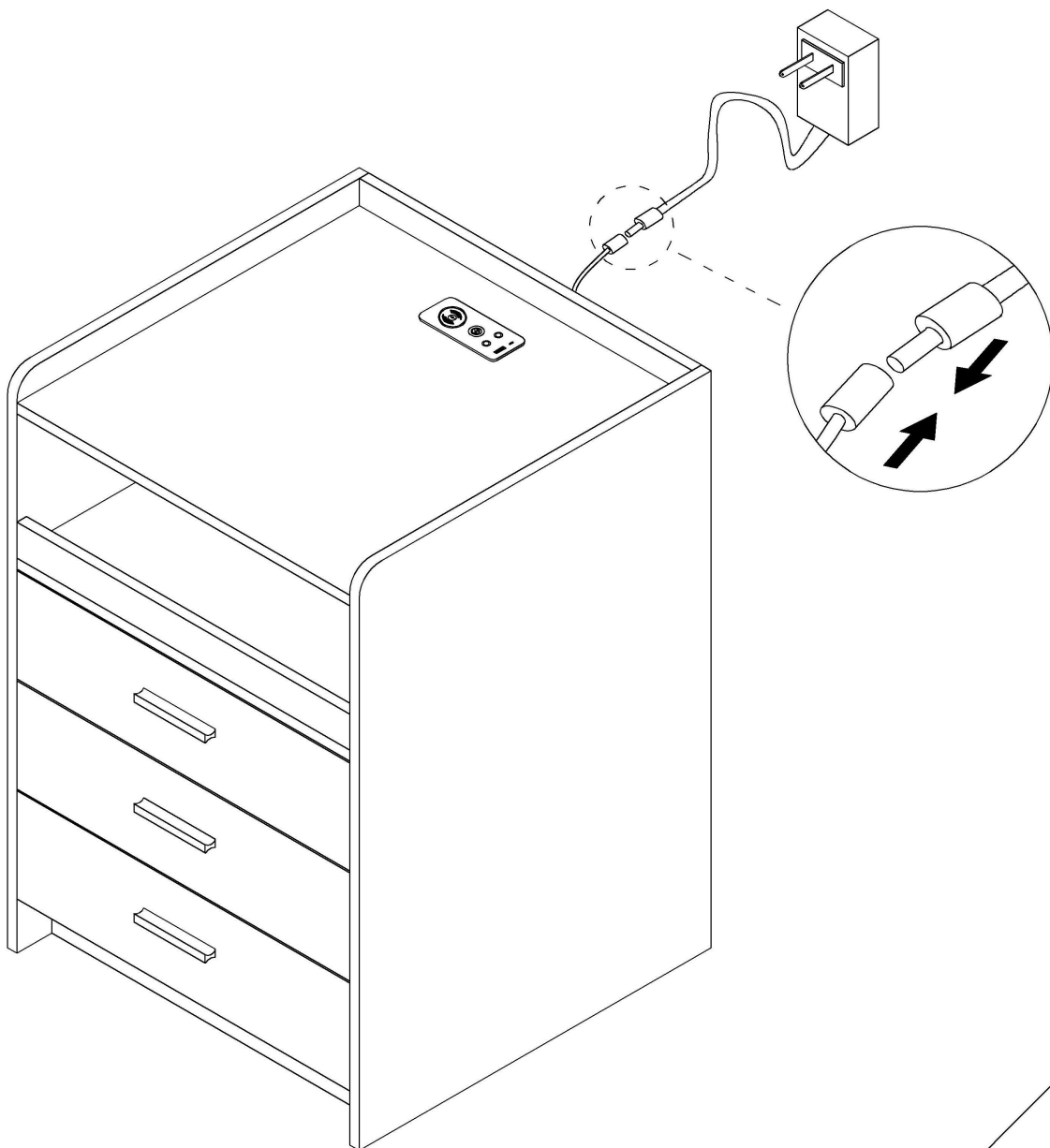
Step 38





x1

The bedside table supports wireless charging ,
It can be charged by placing a mobile phone
that supports wireless charging



35





User's Guide

Thank you for purchasing this product.

To use this product, please plug it into a 12V DC power supply.

Please use it if the product works normally after connecting to power.

Introduction

The box is an intelligent controller which integrates the charging function and the lighting control function, coming with 1 USB port and 1 type-C port, 2 touch buttons, a 24-color lighting control button, and a wireless charger.

Operation



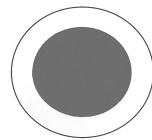
This touch button is used to turn on/off lights and adjust brightness.

A. Long touch -> adjust the luminance.

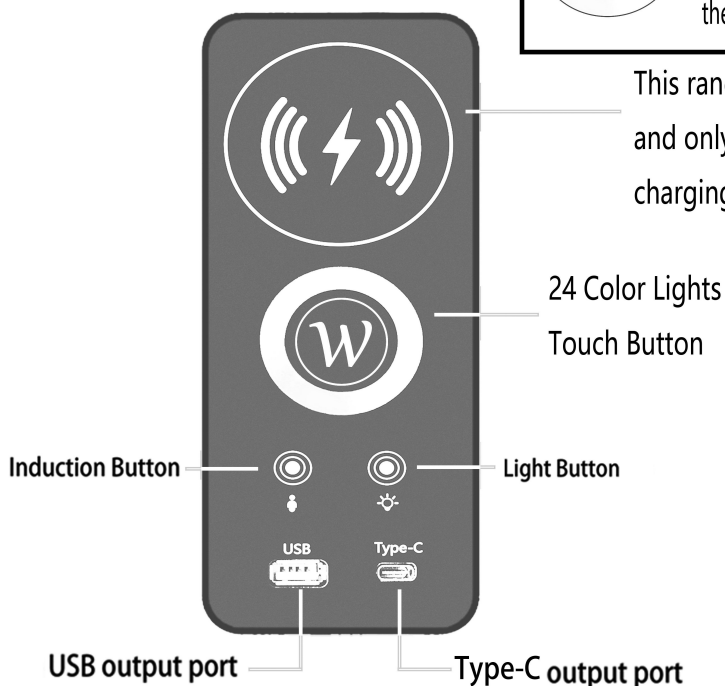


This touch button is used to turn on/off the induction function.

- A. Short touch to turn on the induction function. It can auto-turn on the light when people are close to the controller within 1 meters. It can auto power off the light when the body is far away from the controller after 30 seconds.
- B. Long touch to turn off the induction function.
- C. Note: When you touch the light button to change the light modes, the induction function will automatically turn off. It is best to turn on this function after selecting the light color and adjusting the brightness you want.



This touch button is used to change 24 colors light. You can rotate the ring to choose colors, or click the ring to choose colors. Click in the middle of the ring, and reset to the white light.



This range is a wireless charging area, and only mobile phones with wireless charging function can be charged.



ATTENTION PLEASE

1. If there is no touch response suddenly, Re-plug the power to reset the touch static electricity.
2. If bubbles appear on the panel, remove the protective film.
3. If you have any questions when installing, please feel free to contact us. Thank you.