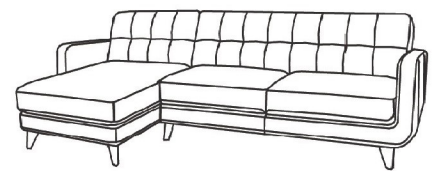
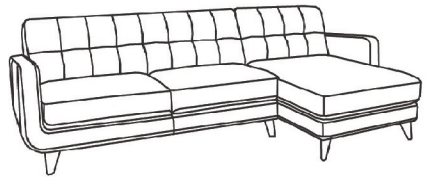
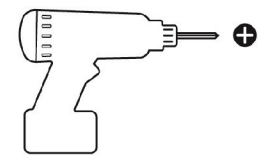


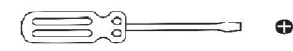
Read the instruction carefully. Refer hardware and furniture parts list for guidance. Refer steps provided as assembling guide.






TOOL REQUIRED



Or



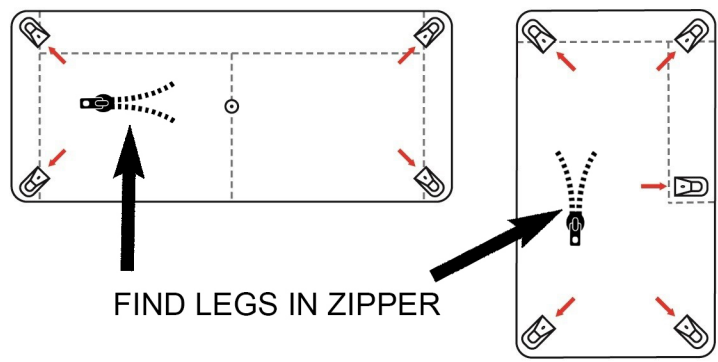
HARDWARE LIST			
	DESCRIPTION	QTY	
		2.5KR/2.5KL 2 SEATER	1.5QL/1.5QR CHAISE
A	Wooden Leg - W828 	4 Pcs	5 Pcs
B	Wooden Leg - WC021 	1 Pcs	-
C	Screw 8x2" BLACK 	4 Pcs	5 Pcs

ASSEMBLY INSTRUCTION (Bottom View)

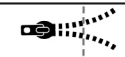
RIGHT HAND FACING

2.5KR

1.5QL



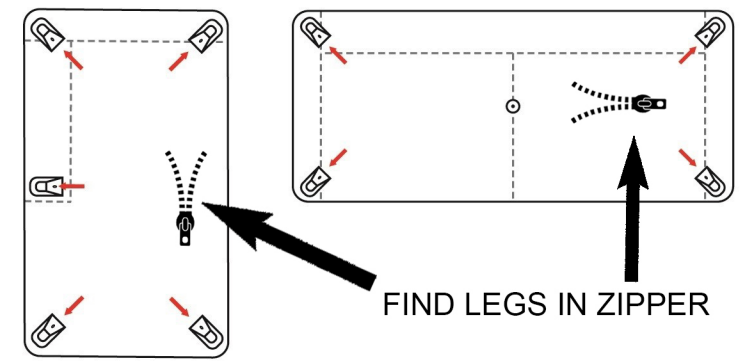
FIND LEGS IN ZIPPER



LEFT HAND FACING

1.5QR

2.5KL



FIND LEGS IN ZIPPER