



10 : 00

estimated assembly



1 or more

people required

Ok, let's
get started!



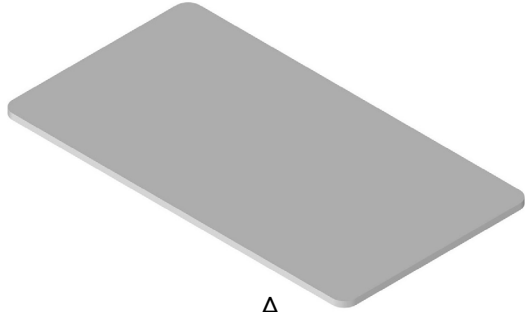
- Put on mood music!
- To prevent damage to product, use the clean side of package carton or rug as working surface.
- In the event of missing or damaged parts, delivery problems etc., please reach out to our team.
We will be happy to fix the problem!

care guide

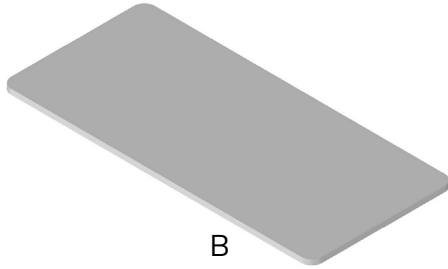
- Clean regularly with a soft and dry cloth.
- To protect finish, avoid use of abrasive cleaners.
- Wipe up spills immediately. Please!



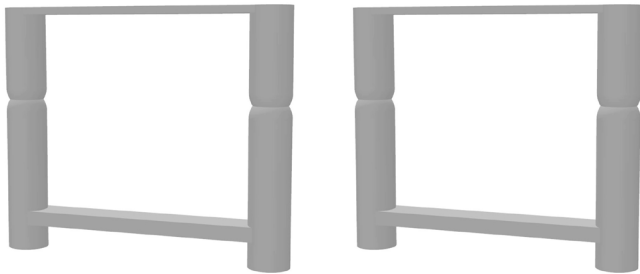
product parts



A
Table Top
x1



B
Shelf
x1



(C1, C2)
Table legs
x2

what's included



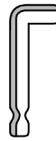
(D)- L Key Bolt
(6 x 40mm)
x16



(E)- Plain Washer
x16



(F)- Lock Washer
x16



(G)- Allen Key
x1

OS

Orange sticker

GS

Green sticker

assembly instructions

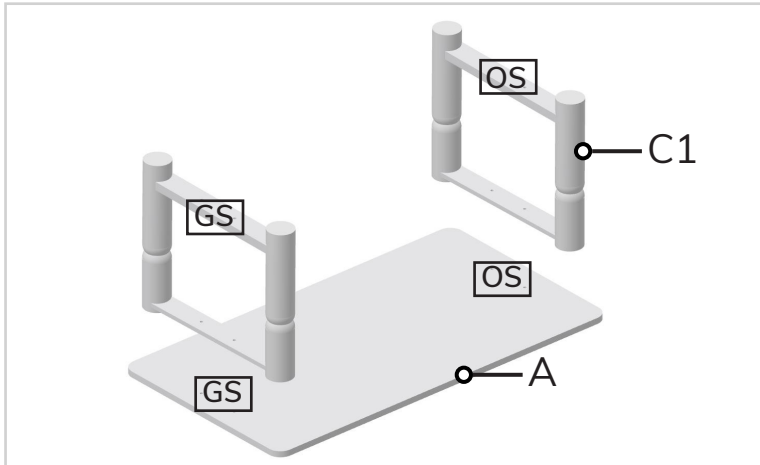
Friendly Tip: Take a deep breath going in. This may be a tricky part, but nothing too overwhelming. Just follow these steps to the T and the outcome will be worth it!



- ⓘ While assembling the product, tighten the bolts up to 50%. Once all parts are in place, only then fully tighten the bolts.

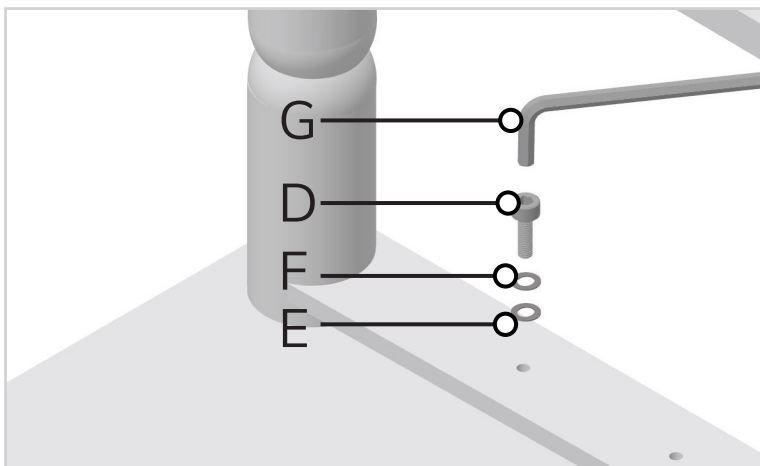
step 1:

Start by placing the tabletop (A) upside down on the ground. Now, align the leg (C1) with the tabletop, so that the slots on (A) align with slots on (C1). Ensure the stickers on the leg match the stickers on the tabletop. Take the image below as a reference.



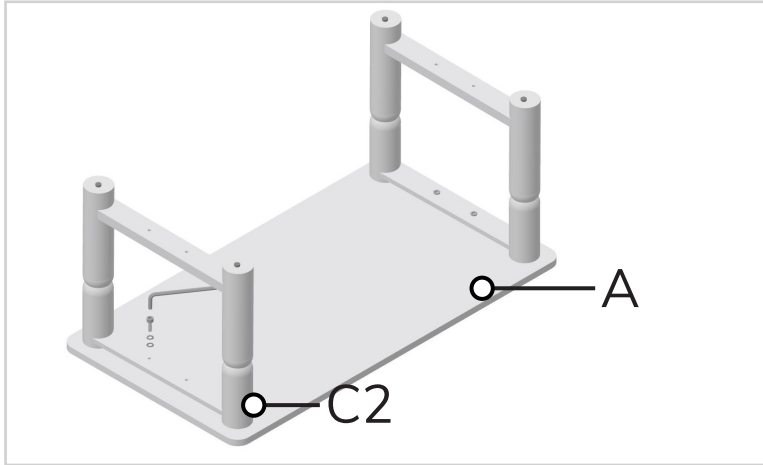
step 2:

Now, attach leg (C1) with the tabletop (A) by inserting plain washer (E), lock washer (F), and bolts (D) in the given slots. Tighten the bolt using allen key (G).



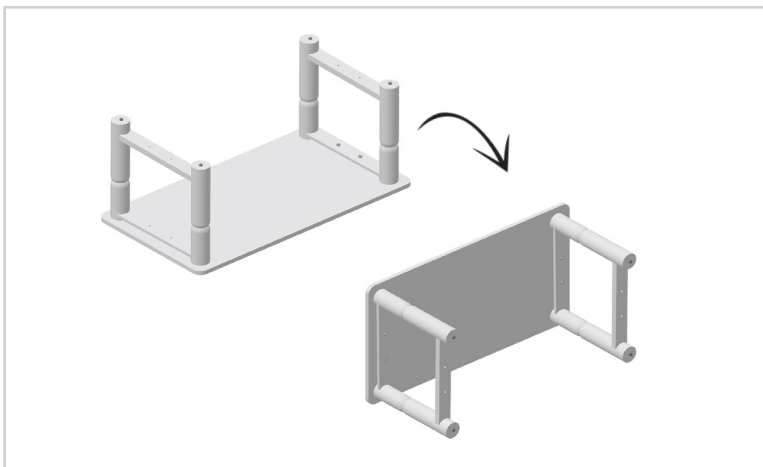
step 3:

Repeat the same process with the remaining leg (C2).



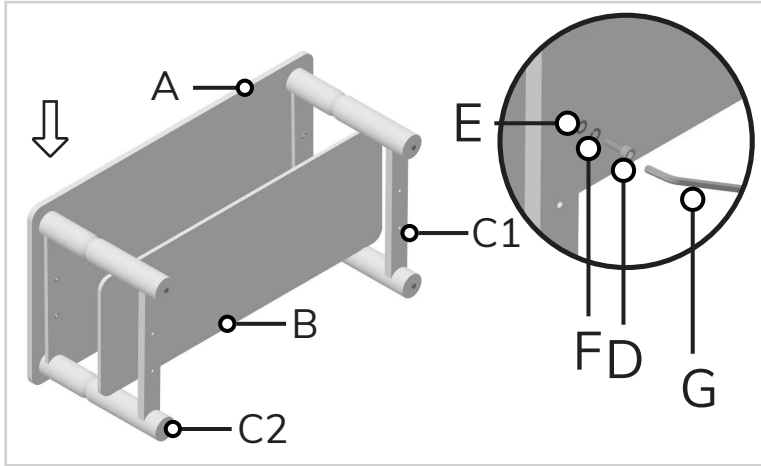
step 4:

Now, rotate the table sideways to insert the Base (B).



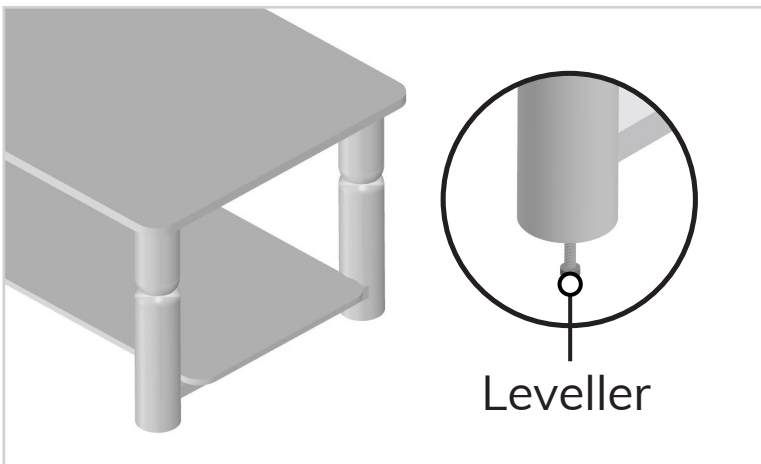
step 5:

Insert the shelf (B) as shown in the image below and attach with the legs (C1 & C2) by inserting plain washer (E), lock washer (F), and bolts (D) in the given slots. Tighten the bolt using allen key (G).



step 6:

If required, adjust the levellers according to the floor as shown in the image.



Voila! Your coffee table is now assembled and secure!

you've
got
a home
with us

