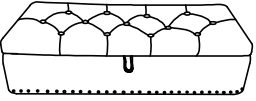
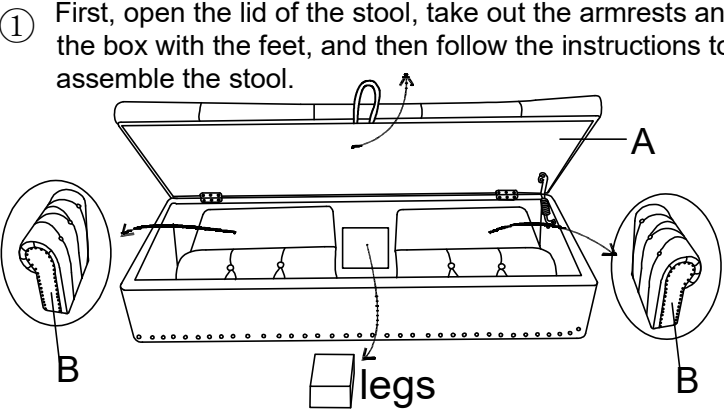
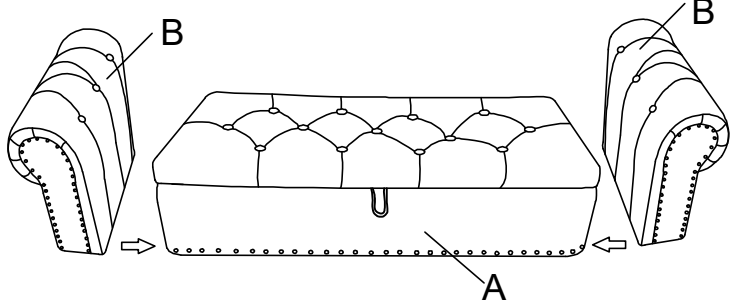
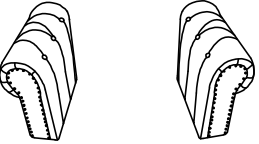
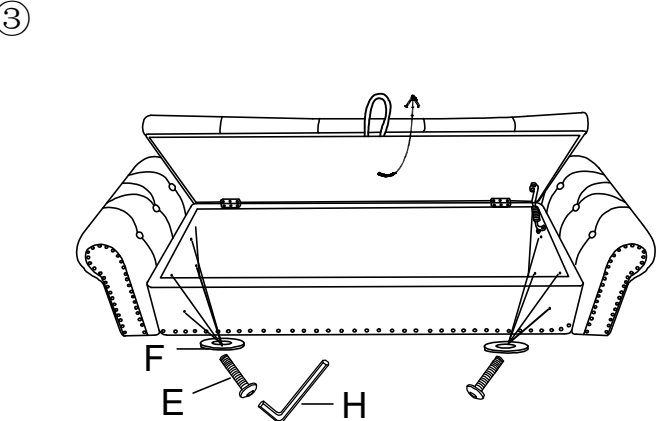
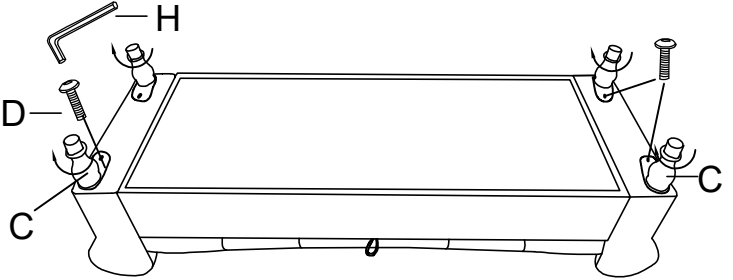

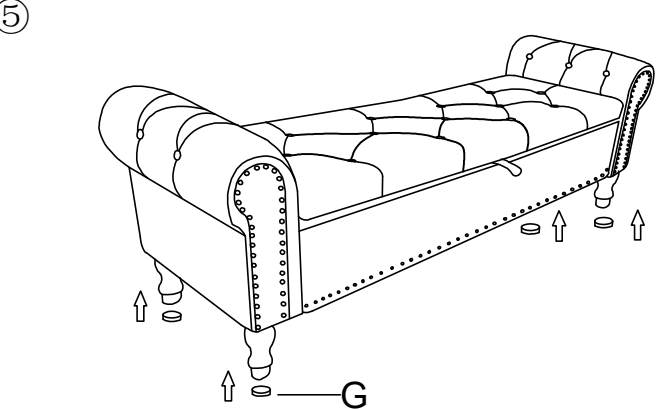
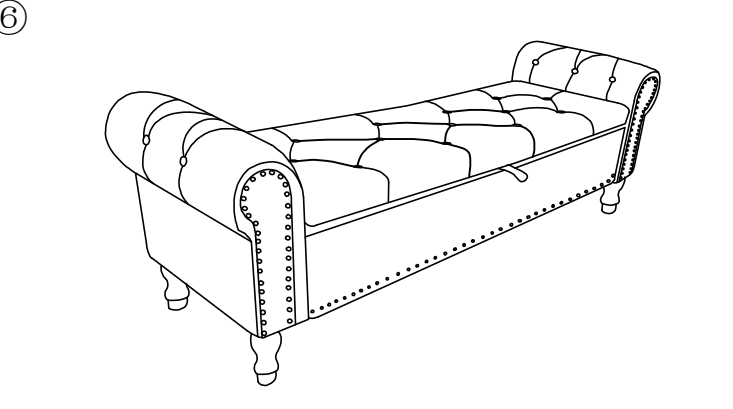
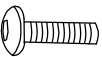
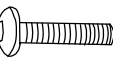





# ASSEMBLY INSTRUCTION

<p>Ax1</p> 	<p>① First, open the lid of the stool, take out the armrests and the box with the feet, and then follow the instructions to assemble the stool.</p> 	<p>②</p> 
<p>Bx2</p> 	<p>③</p> 	<p>④ First, insert the wooden foot screws into the corresponding holes on the stool. Then, thread the screws through the metal plate of the wooden foot base and secure them in the corresponding holes on the stool.</p> 
<p>Cx4</p> 	<p>⑤</p> 	<p>⑥</p> 
<p>Dx4</p>  <p>M6*20mm</p>		
<p>Ex8</p>  <p>M6*50mm</p>		
<p>Fx8</p> 		
<p>Gx4</p> 		
<p>Hx1</p> 		

We provide fast after-sales service, don't worry if there is something wrong with the package you received. Please contact us first, we will reply you in time!