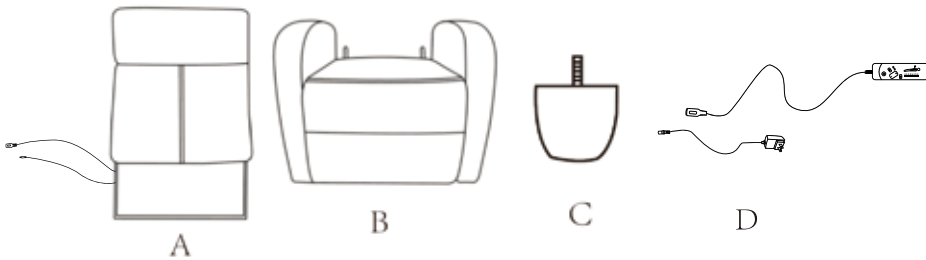


# RECLINER SOFA ASSEMBLY INSTRUCTIONS



**THANK YOU FOR PURCHASING RECLINER SOFA**

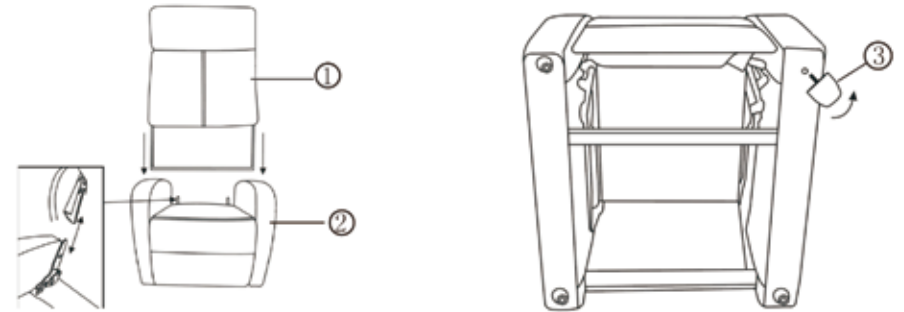
## PART LIST



## WARNING

- Capacity: one person only. Loading capacity: 275 lbs
- No rough tools or corrosive detergent for cleaning.
- The package contains some heavy parts and sharp-edged parts, please be careful when assembling to avoid any physical injury around you.
- Please strictly observe the steps of the instructions.
- Do not use a broken item and contact our customer service for guidance.

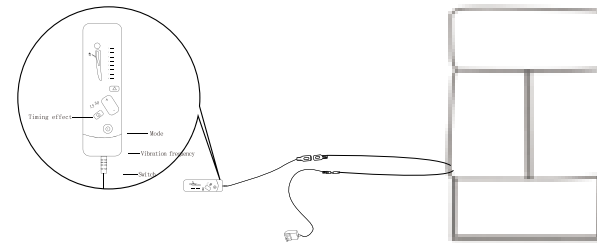
**Step1 : Align the hook-loop brackets and get the backrest and seat attached.**



**Step2 : Fasten the four plastic legs.**

**Step3 : Lean back slowly to tilt the chair. It's not safe to do it too fast. Do it slowly.**

**Tips : The adjuster on the chair must stay fixed and be in the right position to prevent the footrest from shutting down automatically.**



**Step4 : Press against the footrest with legs to get up.**



**Step5 : If you want to detach the back from the seat, please lift up the metal buckles attaching the back and seat.**

