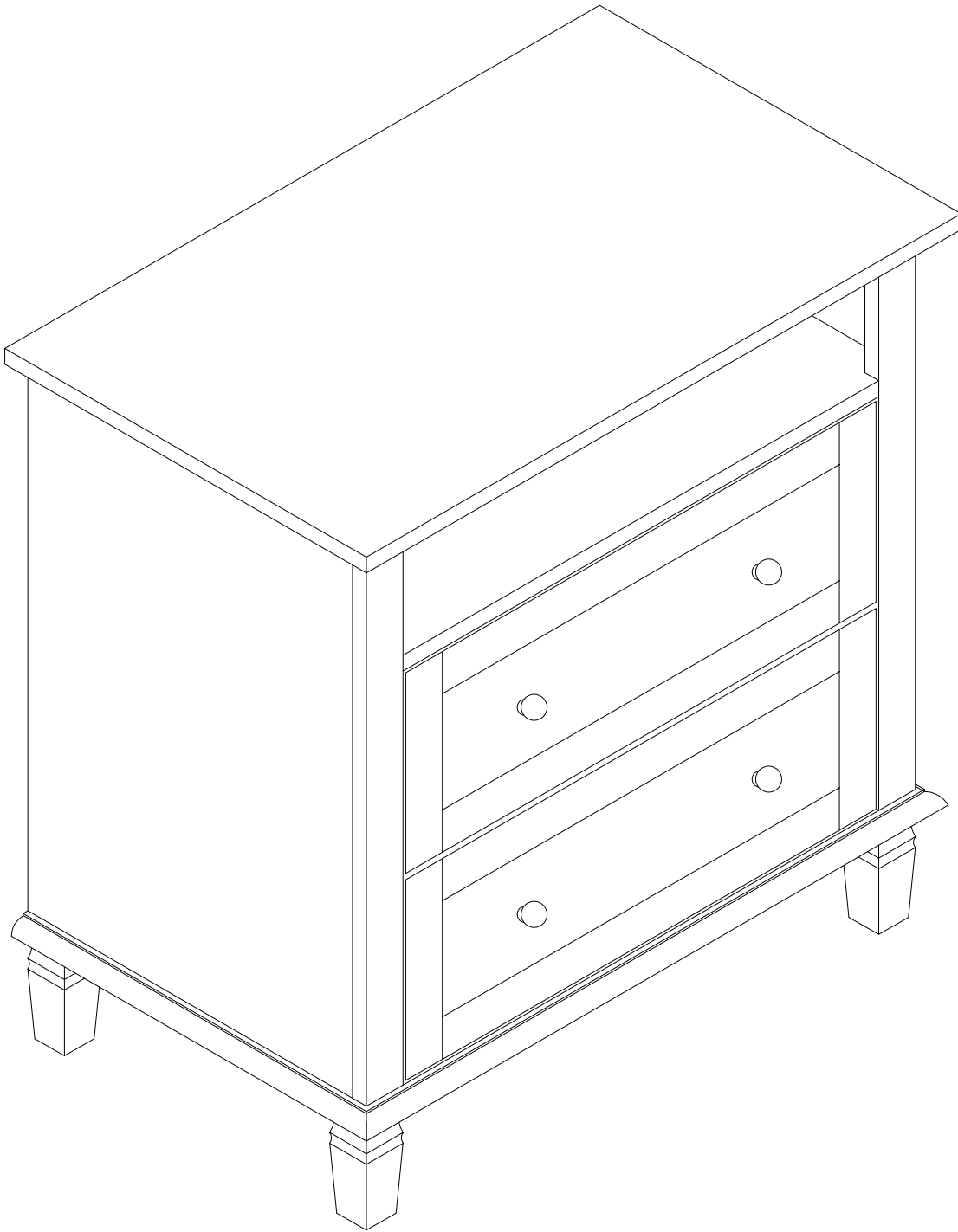


HOOGA NIGHT STAND



NOTES ON ASSEMBLY

- To ensure ease of assembly read all instruction before assembly and follow step by step illustration.
- Keep instruction for future use.
- Adult assembly required. ⚠️ 2 person required. 👤👤
- Due to the presence of small parts during assembly, keep out of reach of children until assembly is complete.

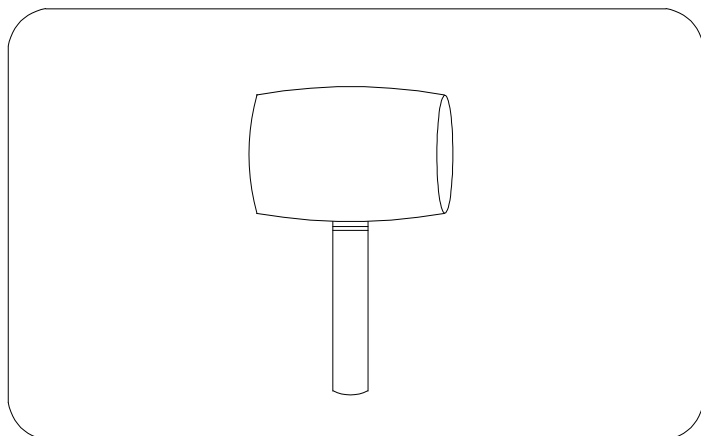
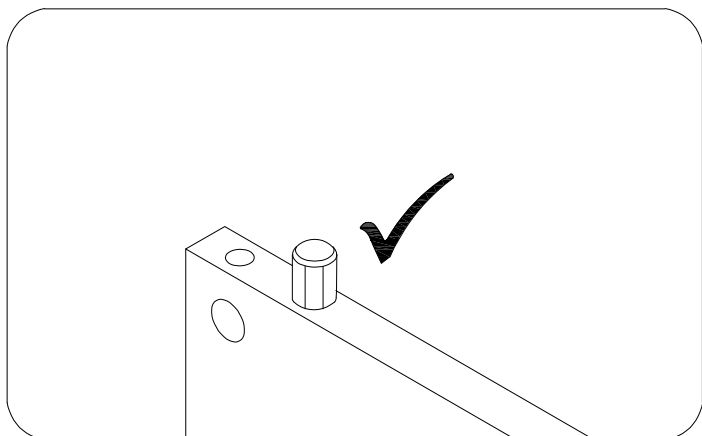
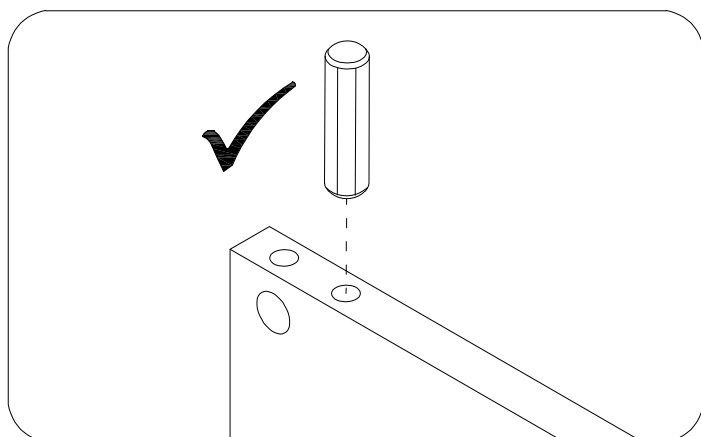
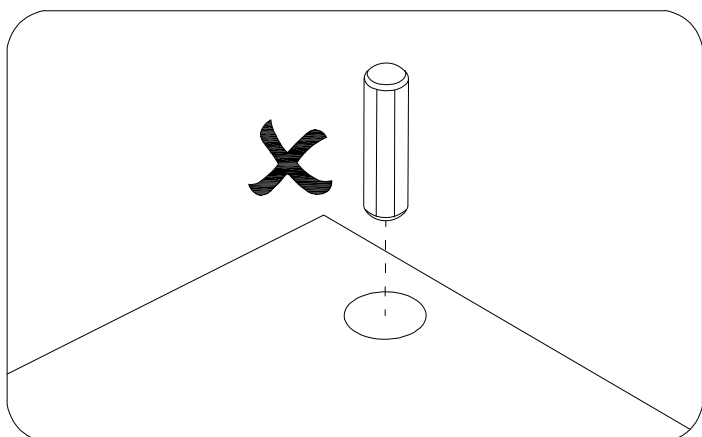
IMPORTANT - PLEASE READ CAREFULLY

- Avoid putting knives, forks, and other sharp objects straight onto your furniture as they could scratch and harm the finish.
- To clean your furniture, use an absorbent cloth that is soft, dry, and free of lint. Avoid using detergents since they could include substances that react and harm the finish.
- Clean up spills quickly. Water left over a prolonged period of time may cause damage. Alcohol, perfume, nail polishes, aftershave and some medication may cause severe finish damage if not cleaned immediately.
- Keep instruction for future use.
- Do not place furniture directly under windows.
- Due to the presence of small parts during assembly, keep out of reach of children until assembly is complete.

WARNING

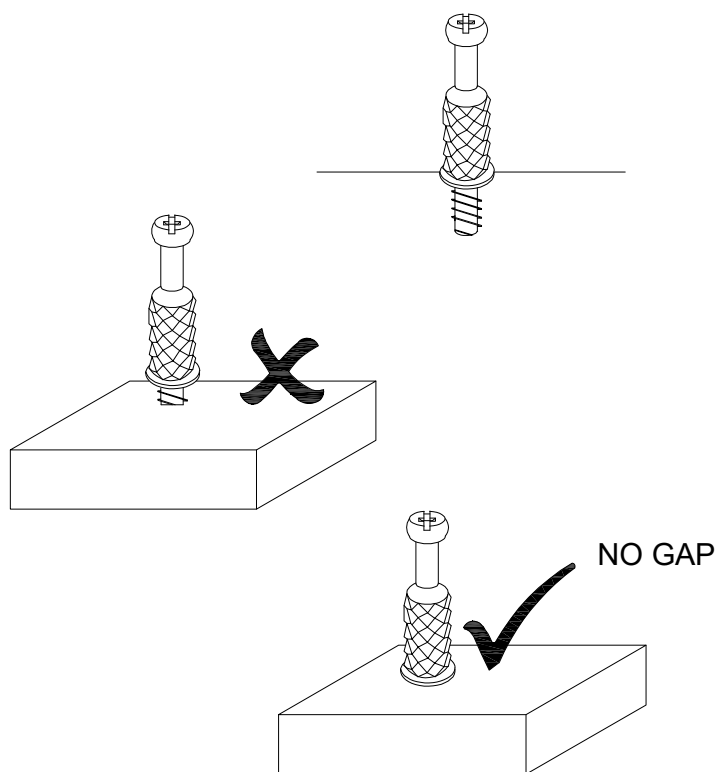
- Please use your furniture correctly and safely. Improper use can cause safety hazard, or damage to your furniture or household items.
- Serious or fatal crushing injuries can occur from furniture tip-over.
- To help prevent tip-over :
 - Place heaviest items in the lowest drawers or shelf.
 - Never allow children to climb or hang on drawer, shelf or doors.
 - Always monitor your child's activity when in the nursery.
 - Do not allow standing in drawer or shelf.
 - Do not allow standing on top of this product.
 - To avoid head injury, do not allow children to play underneath open drawer.
 - Accessory items must be securely fastened to this product according to the instructions provided with those items.
 - Do not leave drawers open when not in use.

WOOD DOWEL

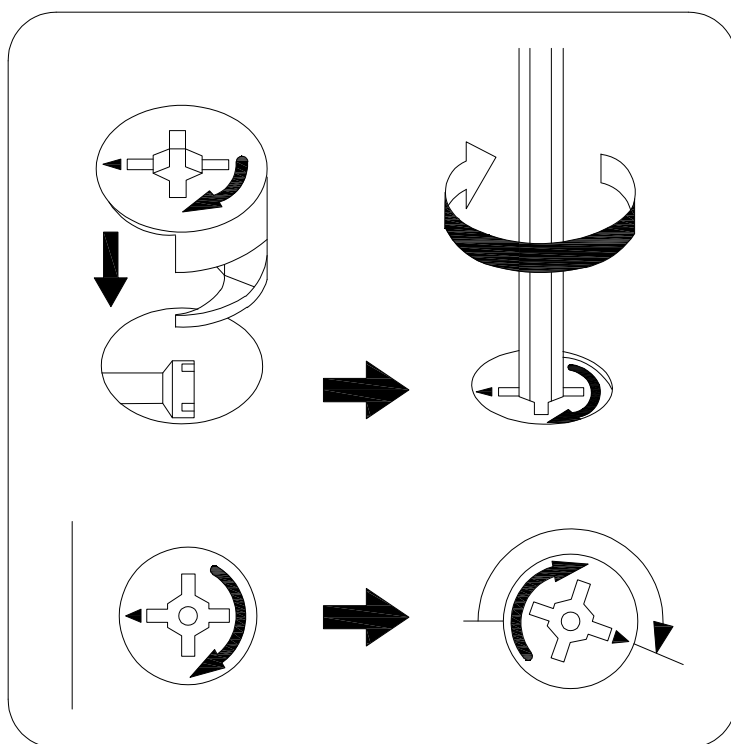
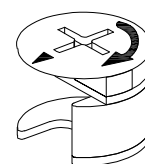


MINIFIX CAM & MINIFIX BOLT

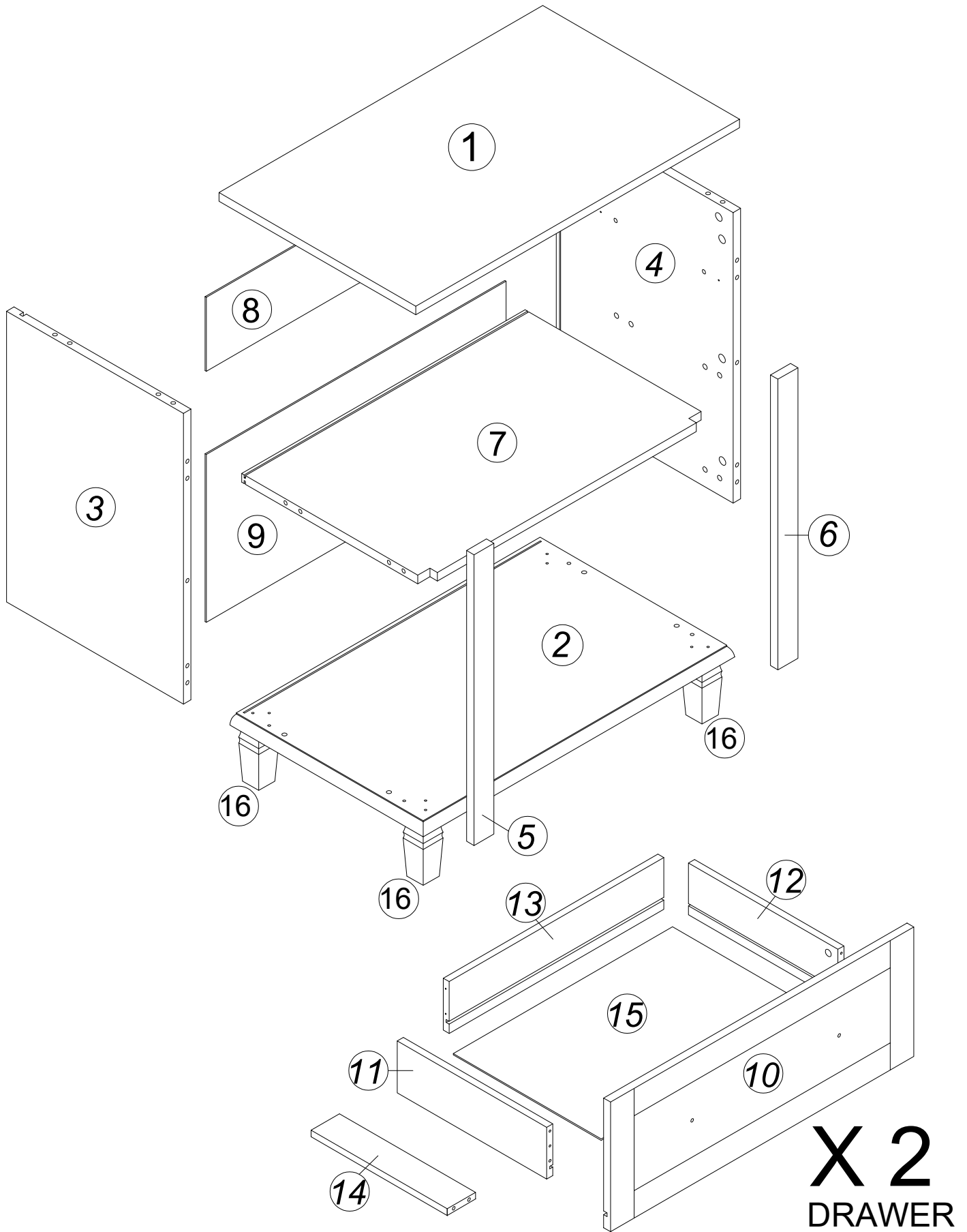
MINIFIX BOLT



MINIFIX CAM



PART LIST



HARDWARE LIST

(A) MINIFIX 16MM



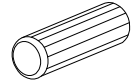
14 UNITS

(B) MINICAM 16MM



14 UNITS

(C) DOWEL 8 X 30MM



16 UNITS

(D) HANDLE KNOB



4 UNITS

(E) HANDLE SCREW M4 X 18MM



4 UNITS

(F) CP 4X15X30



4 UNITS

(G) MINIFIX 12MM



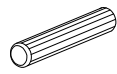
8 UNITS

(H) MINICAM 12MM



8 UNITS

(I) DOWEL 6 X 30MM



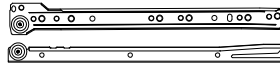
12 UNITS

(J) CSK M4 X 32MM



8 UNITS

(K) DRAWER SLIDE 300MM



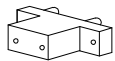
2 SET

(L) CSK M3 X 12MM



12 UNITS

(M) PLASTIC STOPPER 25MM



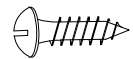
8 UNITS

(N) CSK M3.5 X 25MM



8 UNITS

(O) PAN HEAD M4 X 20MM



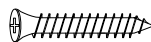
16 UNITS

(P) CSK M4 X 45MM



8 UNITS

(Q) CSK CAP WOOD SCREW
M6 X 50MM

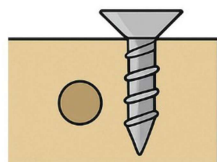


4 UNITS

INSTALLATION PRECAUTIONS

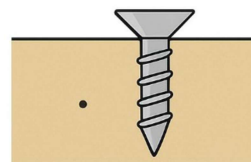
WHY THERE IS NO PRE-DRILLED HOLE

Pre-drilled hole



Screw is loose

Only position mark

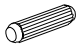


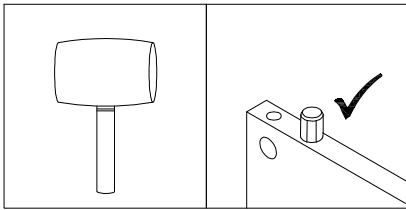
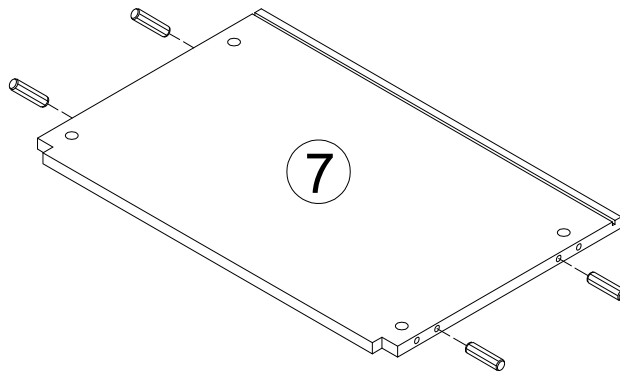
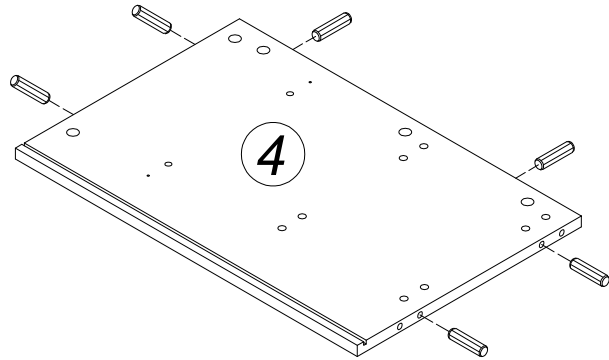
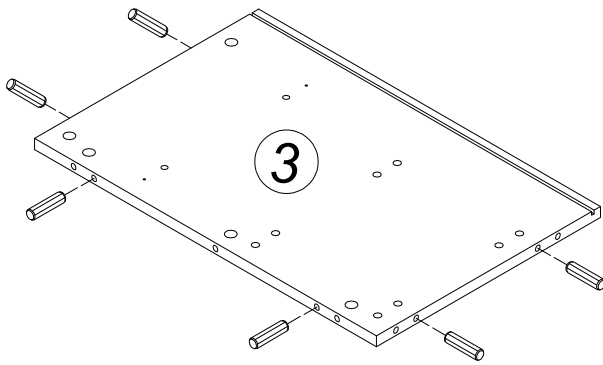
Screw has grip

The screw shown here is a self-tapping countersunk screw (CSK).

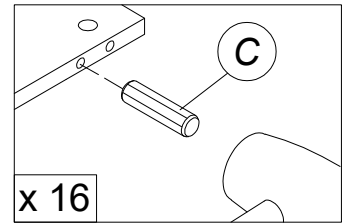
ASSEMBLY INSTRUCTION

STEP 1

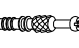
C		DOWEL 8 X 30 MM	16 Pcs
----------	---	-----------------	--------

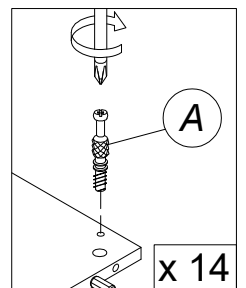
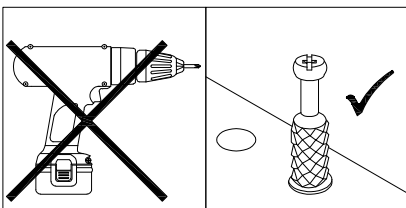
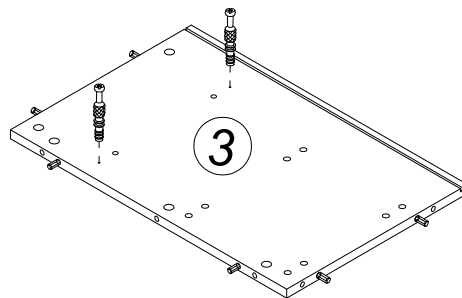
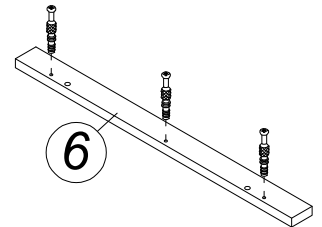
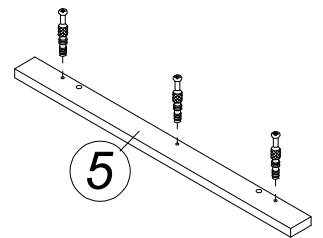
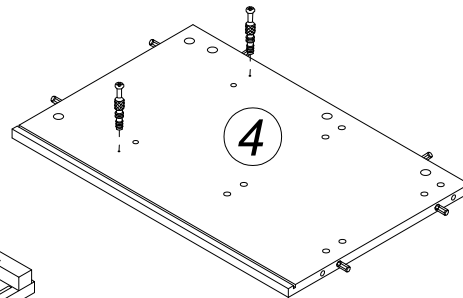
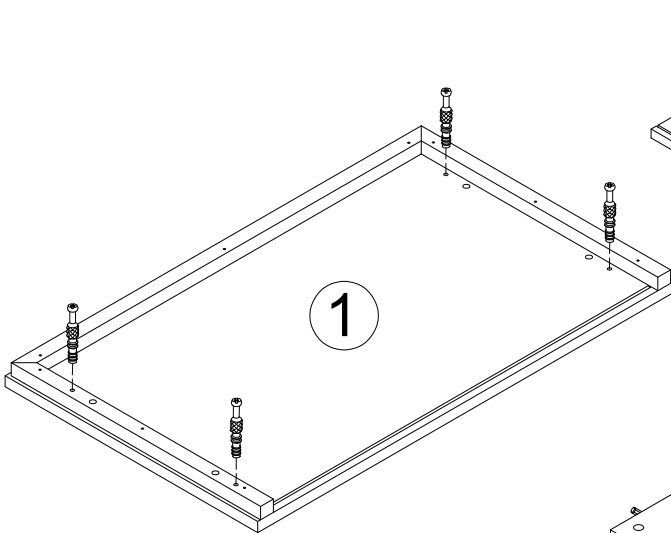


Insert dowels gently.

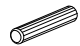


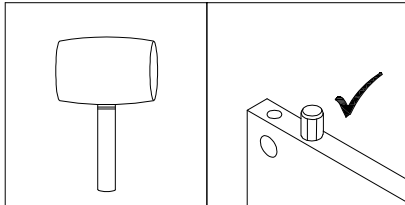
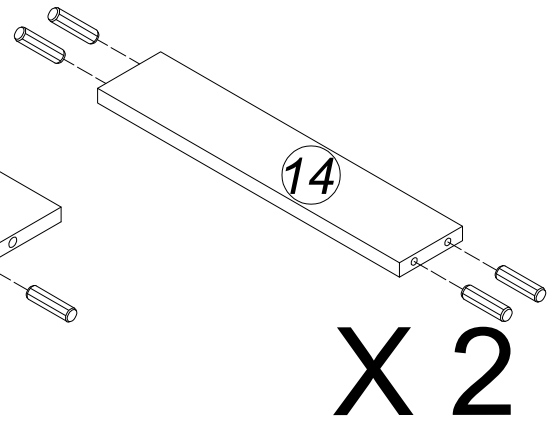
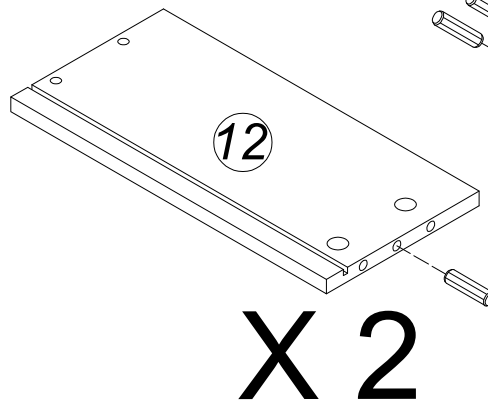
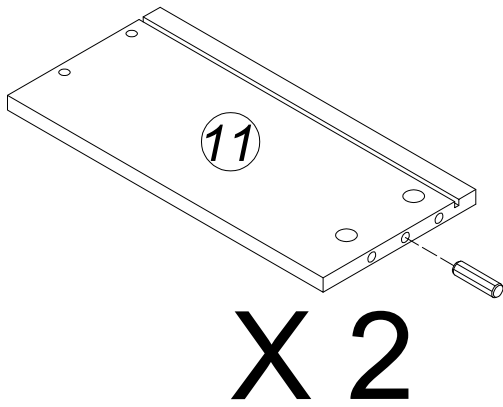
STEP 2

A		MINIFIX 16MM	14 Pcs
----------	---	--------------	--------

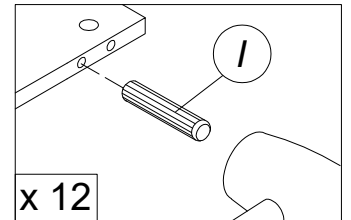


STEP 3


I		DOWEL 6 X 30 MM	12 Pcs
---	---	-----------------	--------

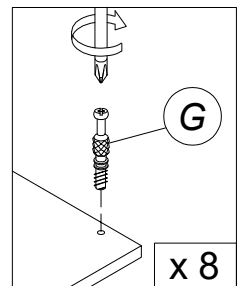
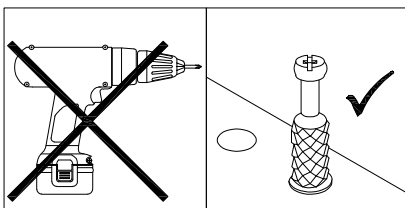
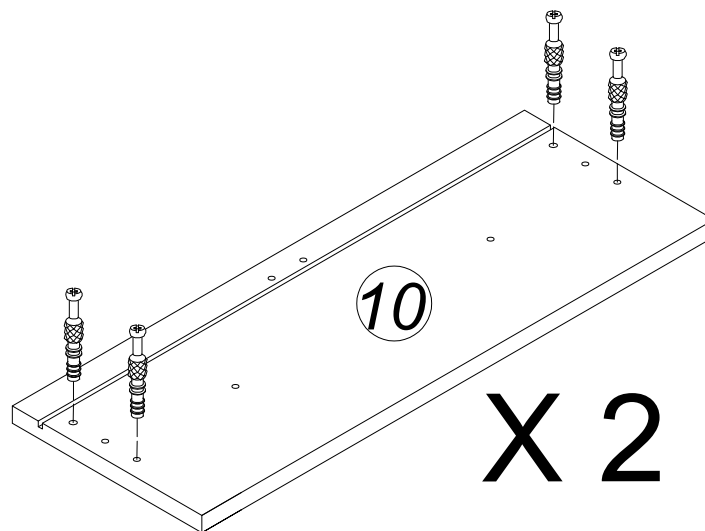


Insert dowels gently.



STEP 4

G		MINIFIX (12MM)	8 Pcs
---	---	----------------	-------



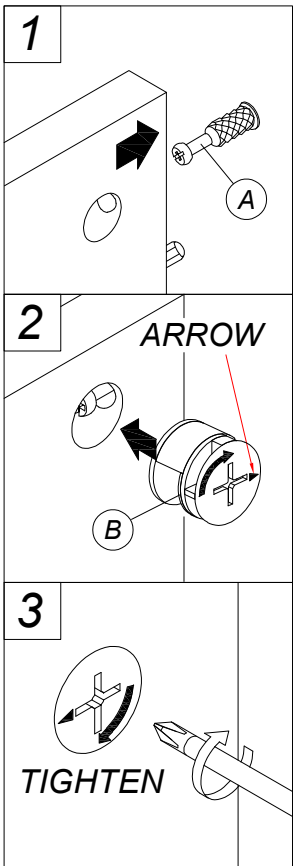
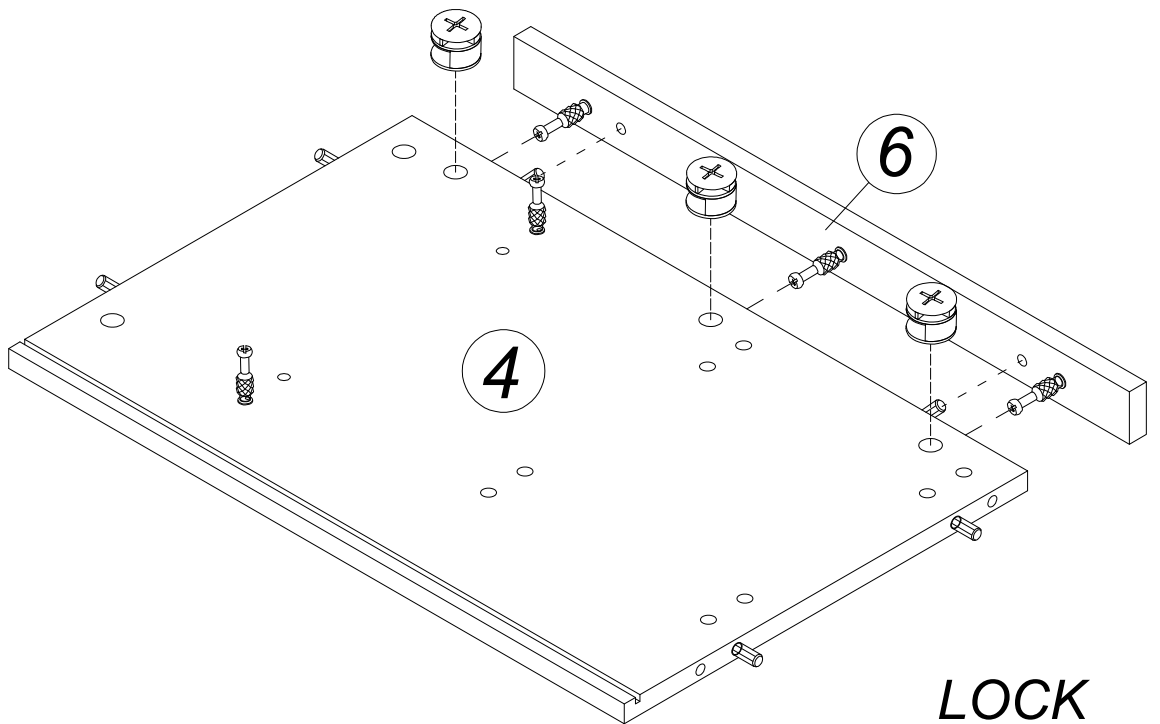
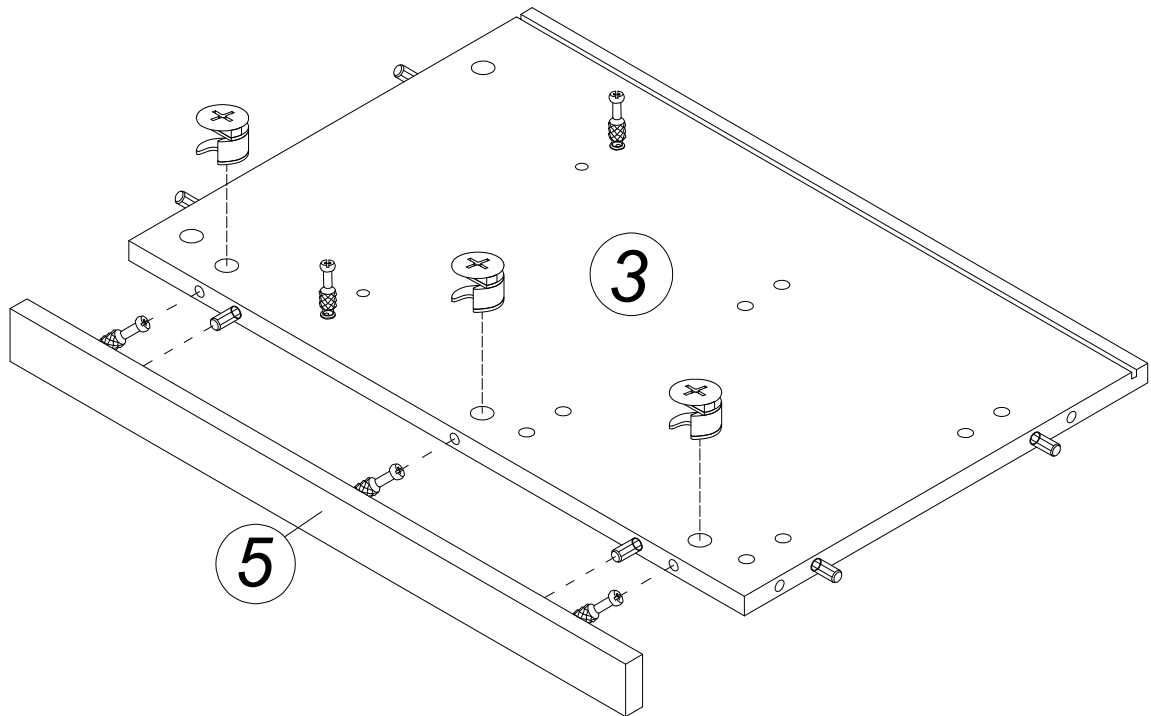
STEP 5

B

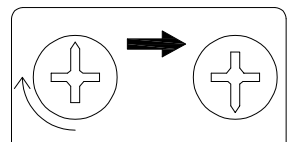


MINICAM 16MM

6 Pcs




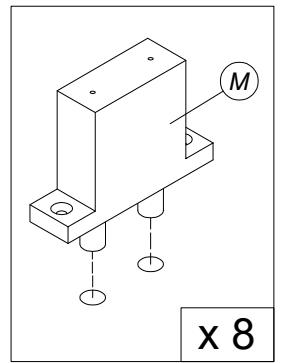
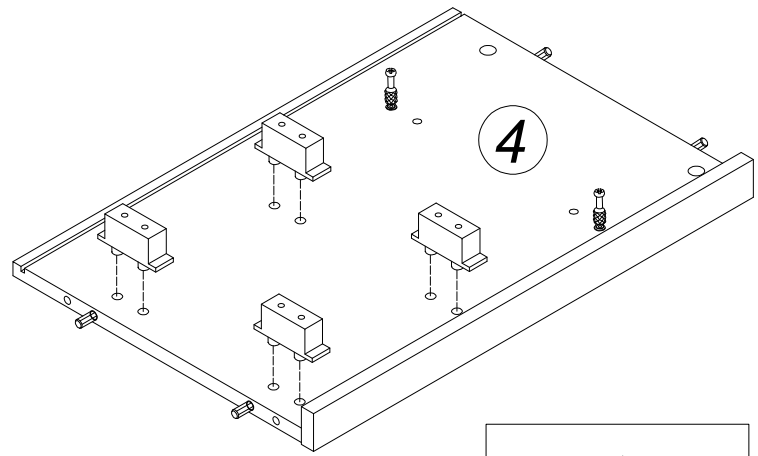
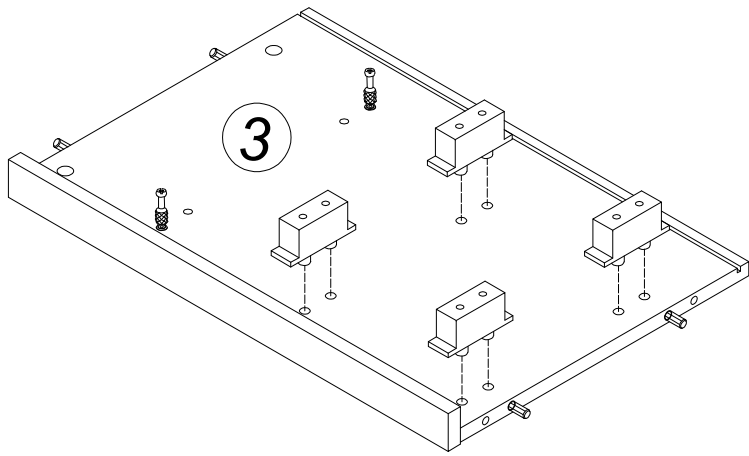
LOCK



FIX THE MINICAM B AND MINIFIX A TO THE HOLE AS SHOWN.

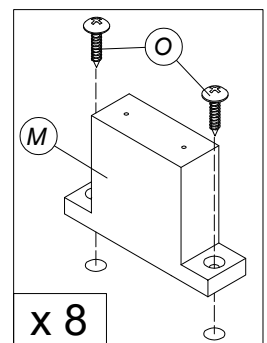
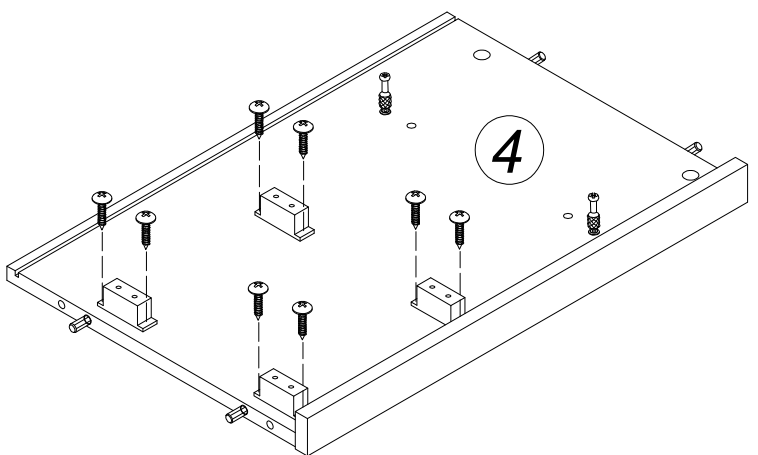
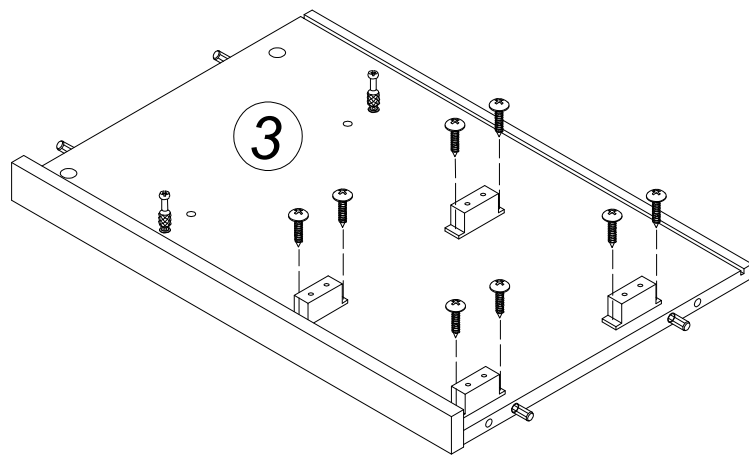
STEP 6

M		PLASTIC STOPPER 25 MM	8 Pcs
---	---	--------------------------	-------



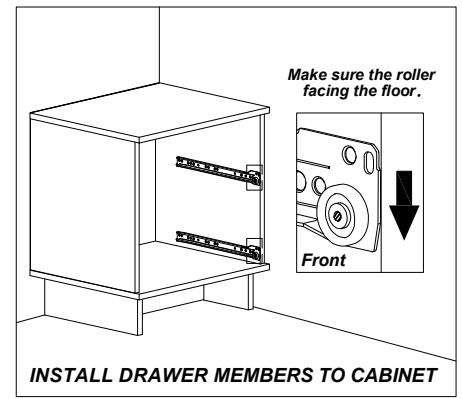
STEP 7

O		PAN HEAD M4 X 20MM	16 Pcs
---	---	--------------------	--------

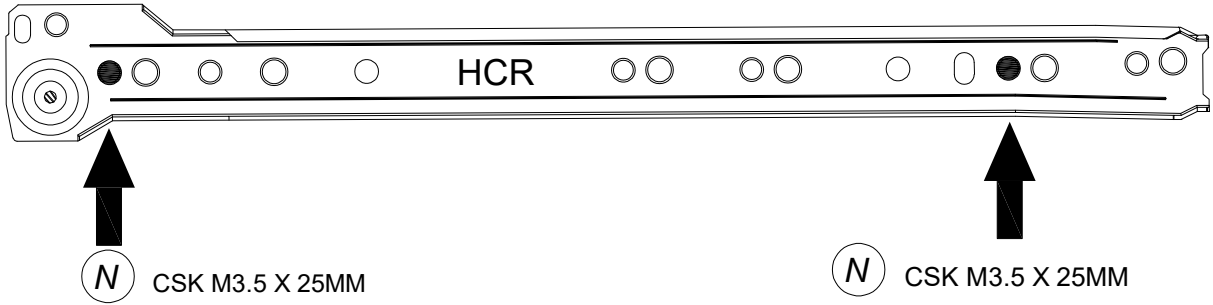


STEP 8

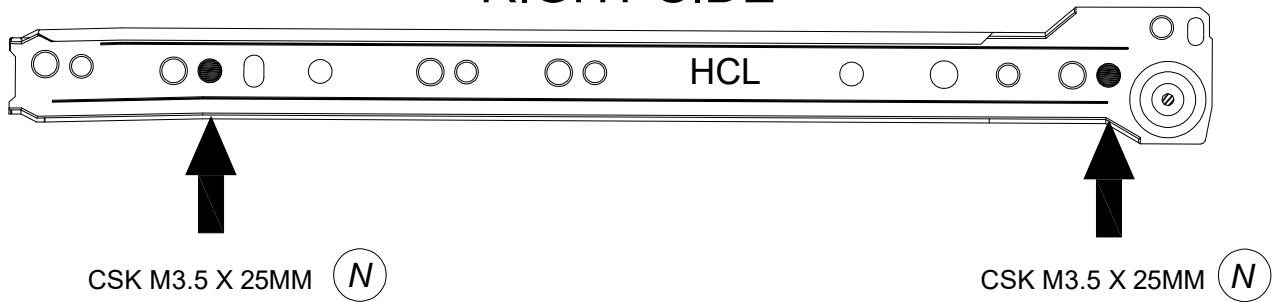
REMARK: FOLLOW POINT





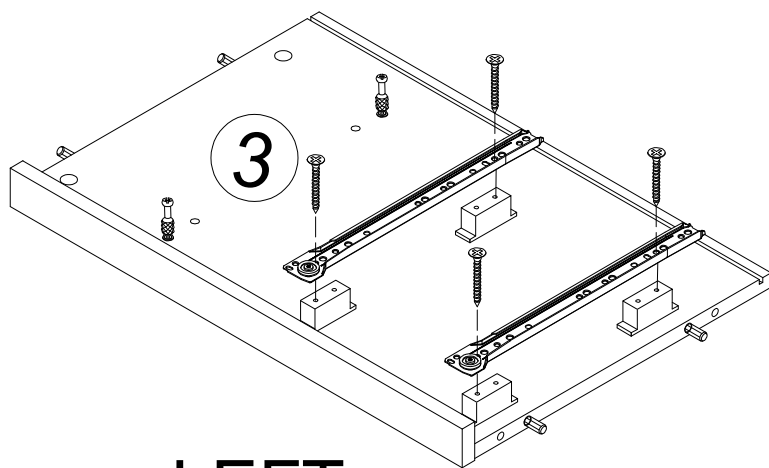
LEFT SIDE



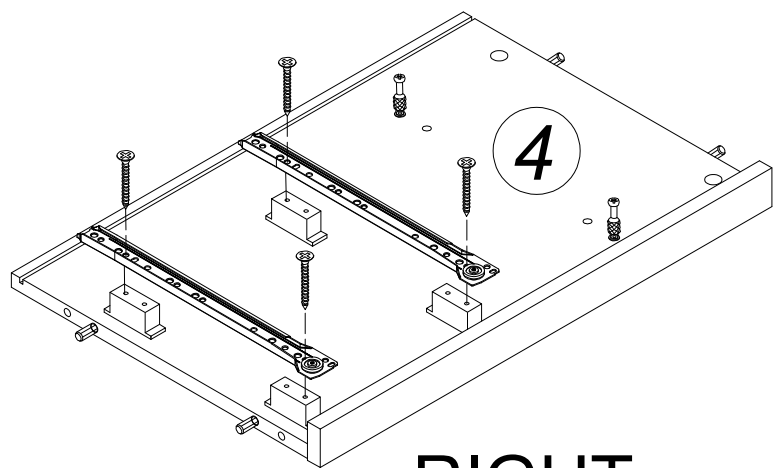
RIGHT SIDE



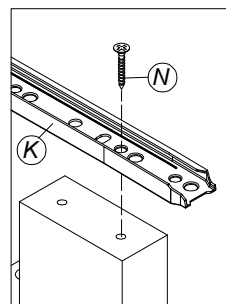
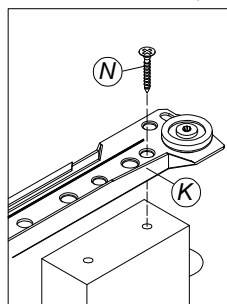
K		DRAWER SLIDE 300MM	2 Set
N		CSK M3.5 X 25MM	8 Pcs




LEFT

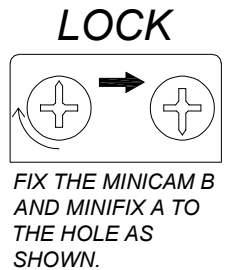
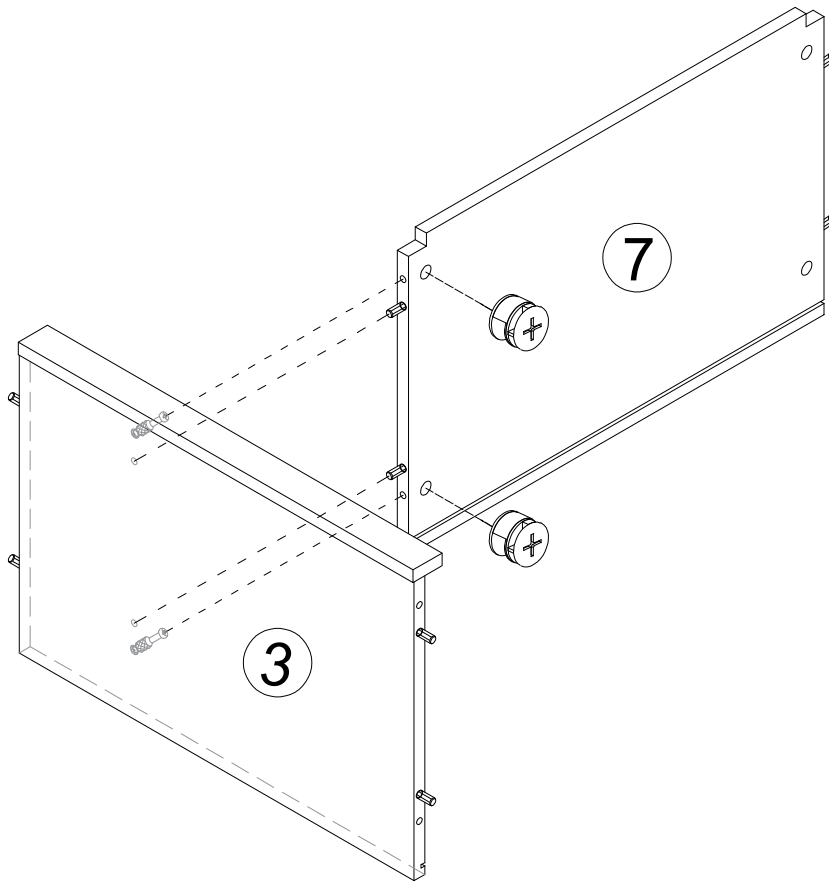
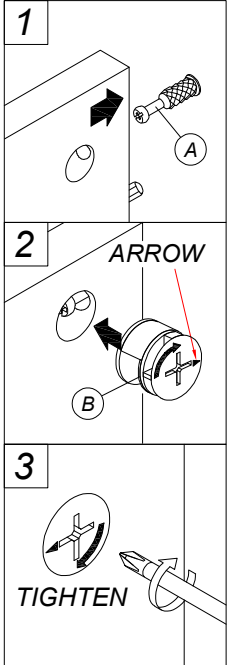


RIGHT




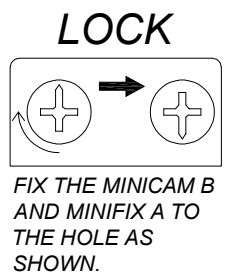
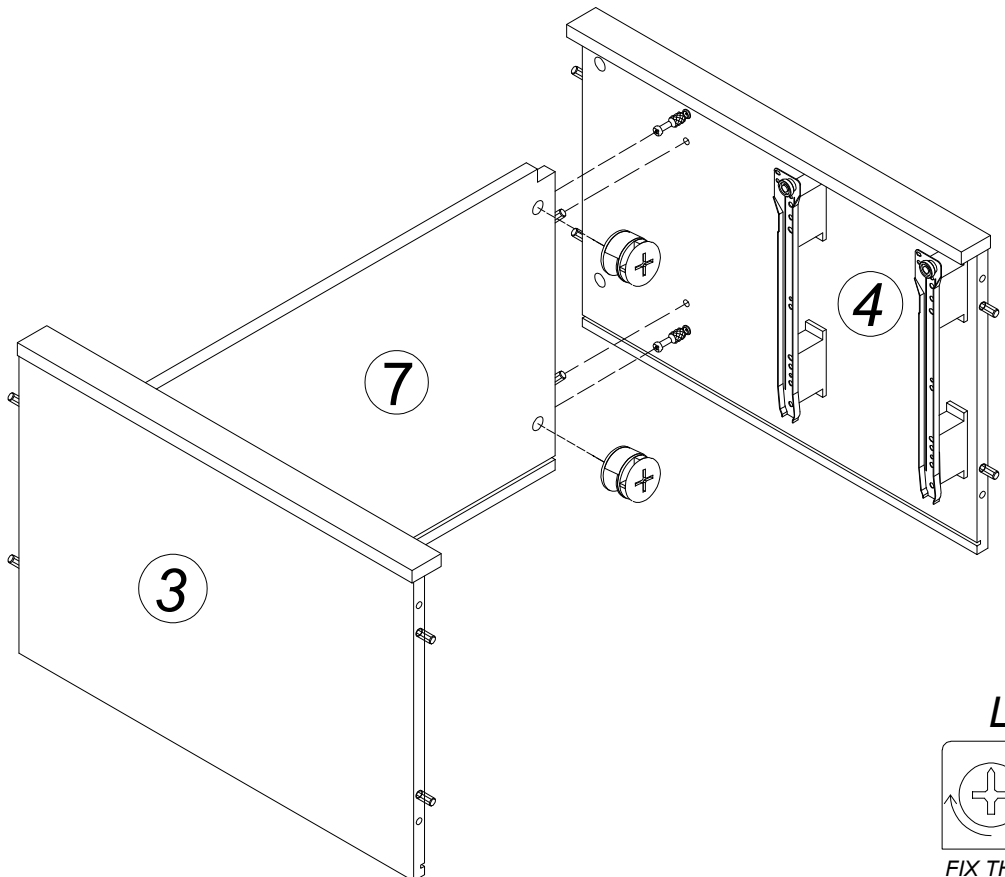
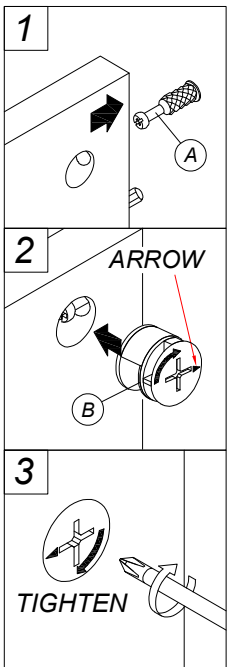
STEP 9

B		MINICAM 16MM	2 Pcs
----------	--	---------------------	--------------

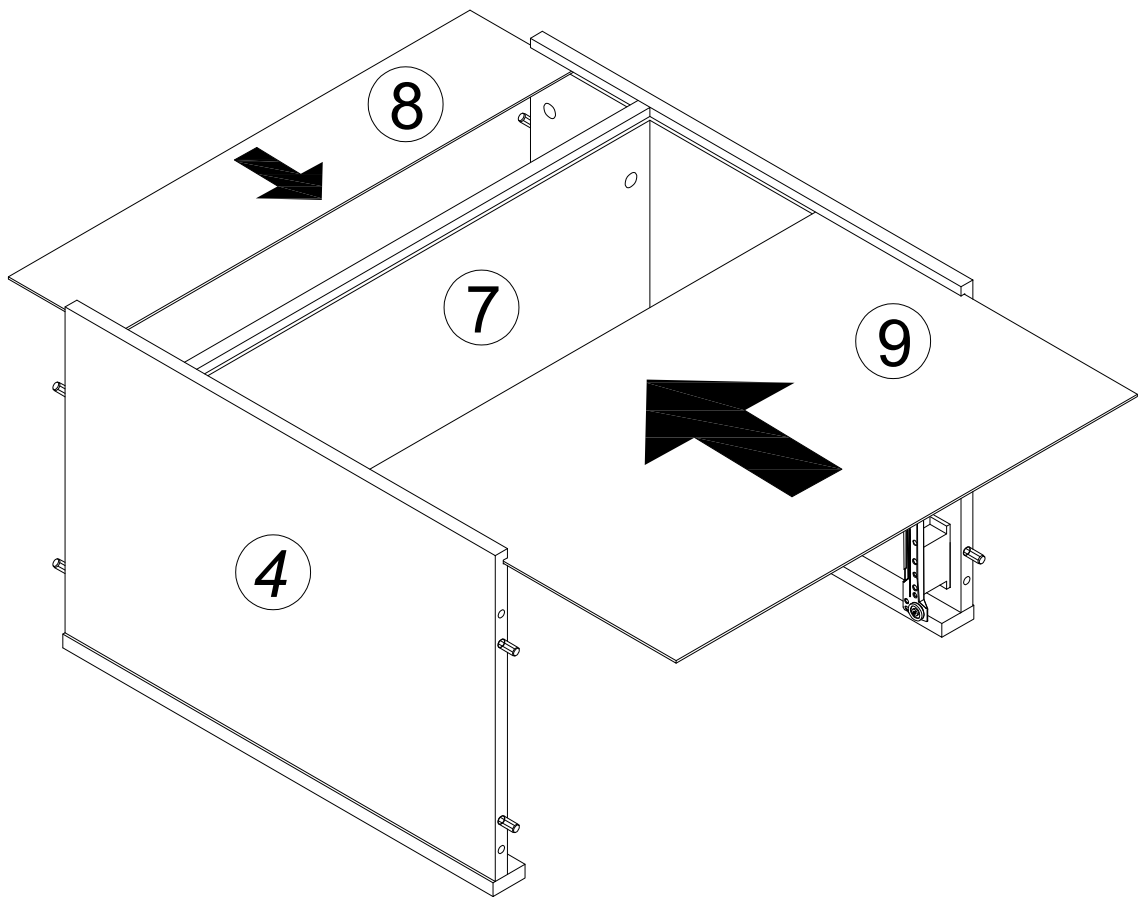


STEP 10


B		MINICAM 16MM	2 Pcs
----------	---	---------------------	--------------

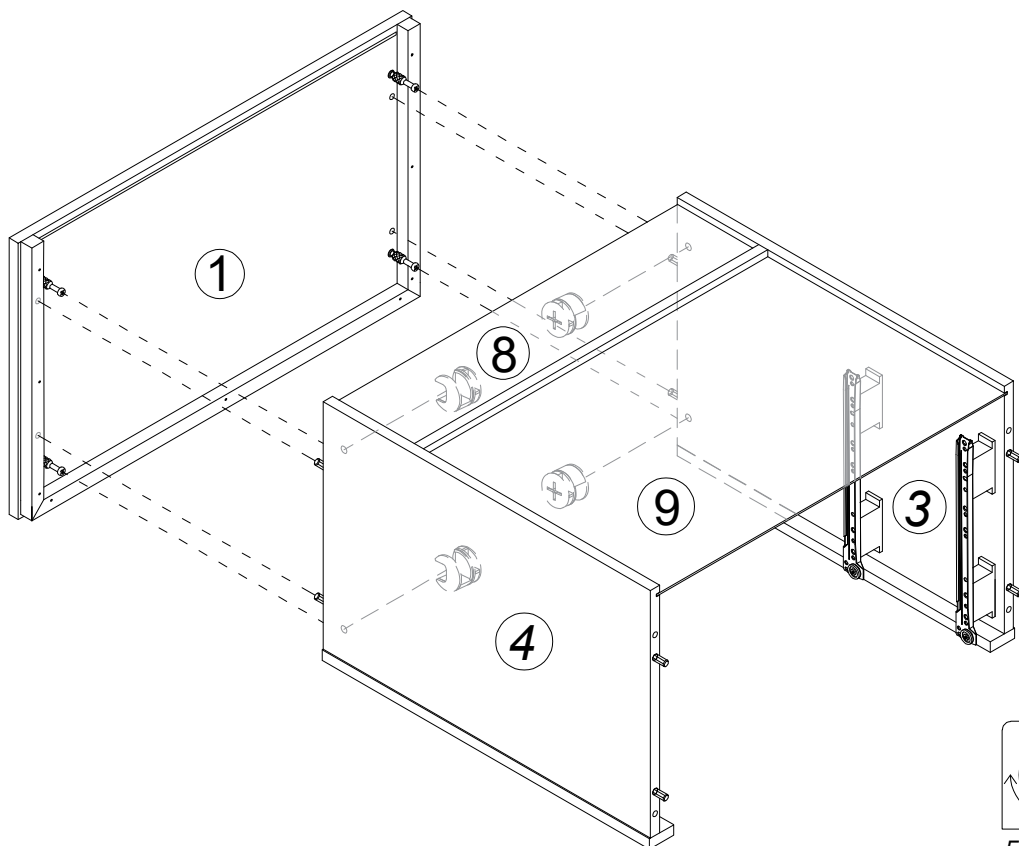
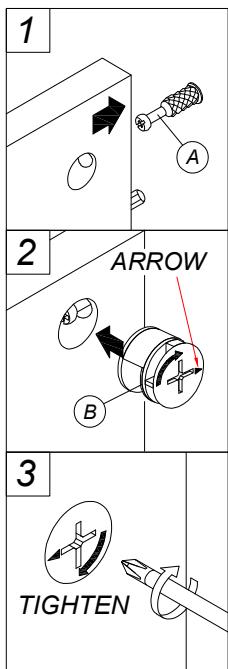


STEP 11

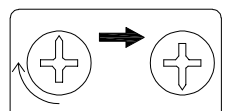


STEP 12

B		MINICAM 16MM	4 Pcs
----------	---	---------------------	--------------




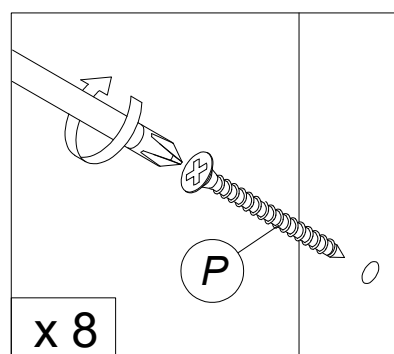
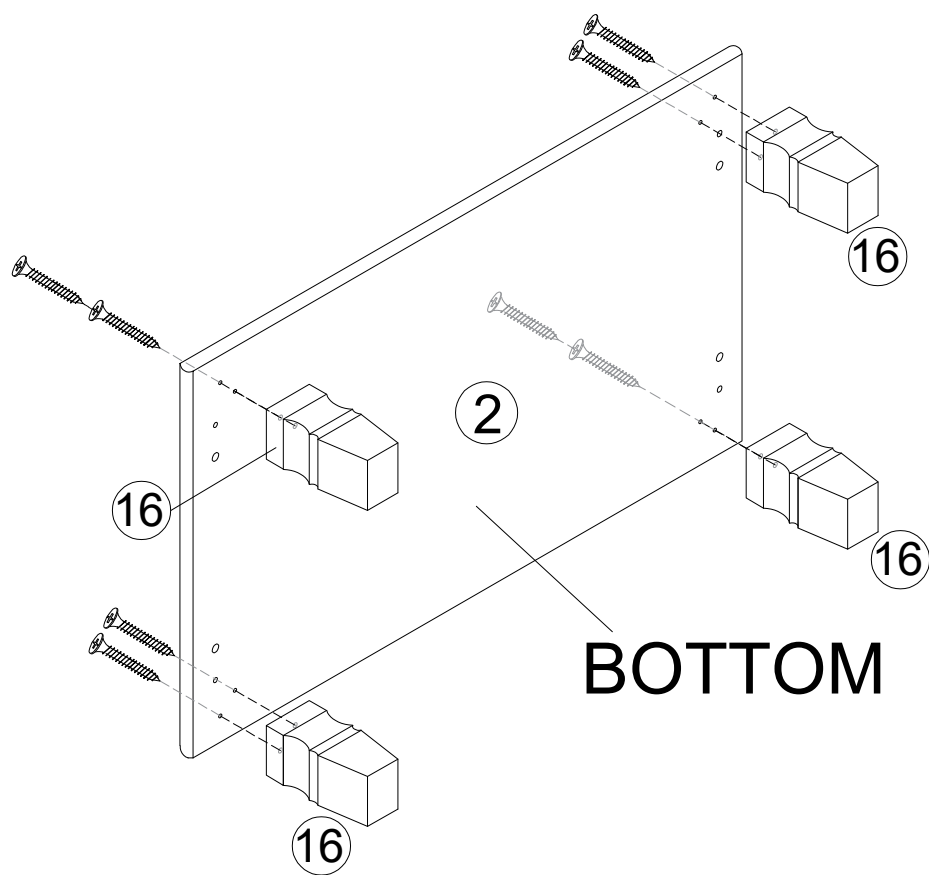
LOCK



FIX THE MINICAM B AND MINIFIX A TO THE HOLE AS SHOWN.

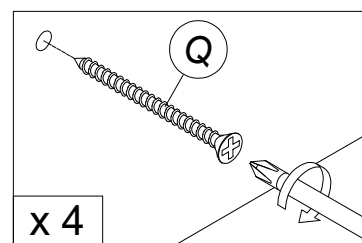
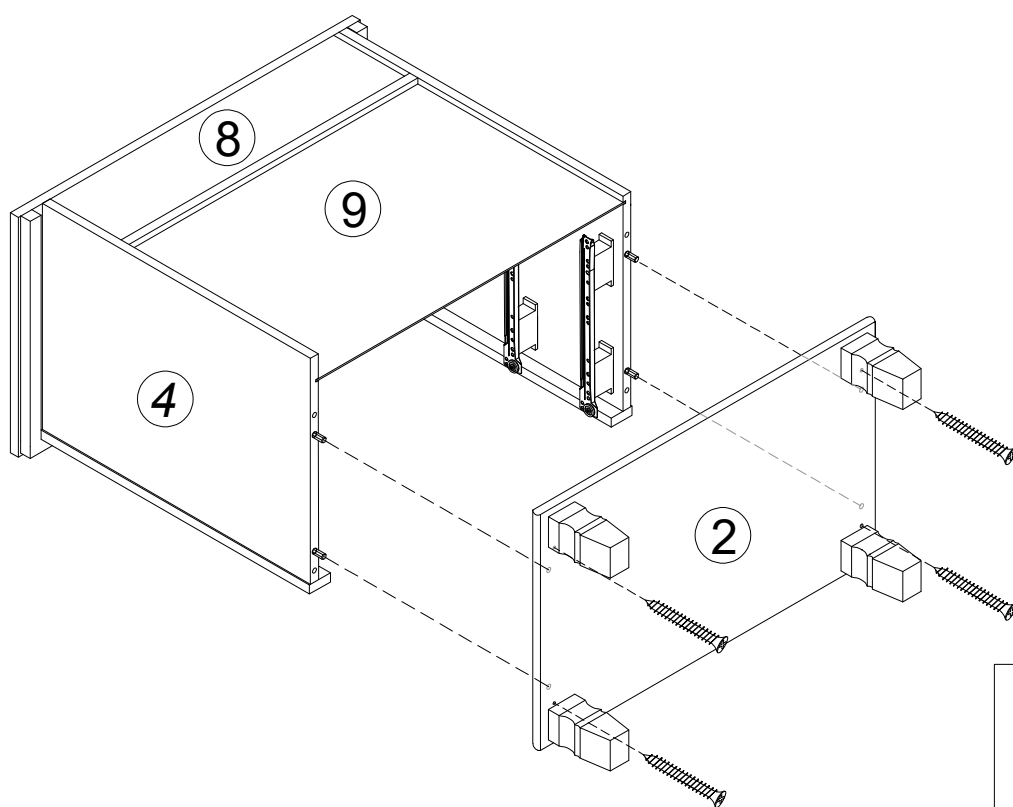
STEP 13

P		CSK M4 X 45MM	8 Pcs
----------	---	---------------	-------




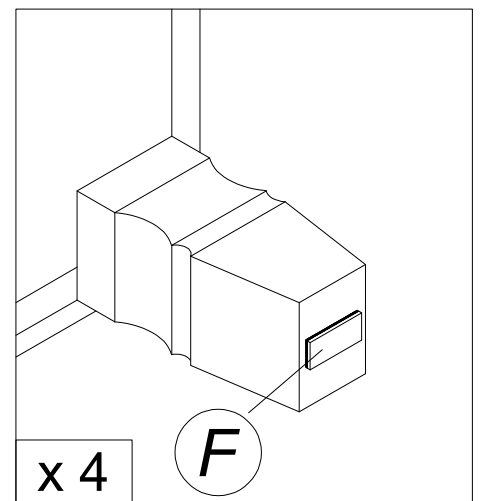
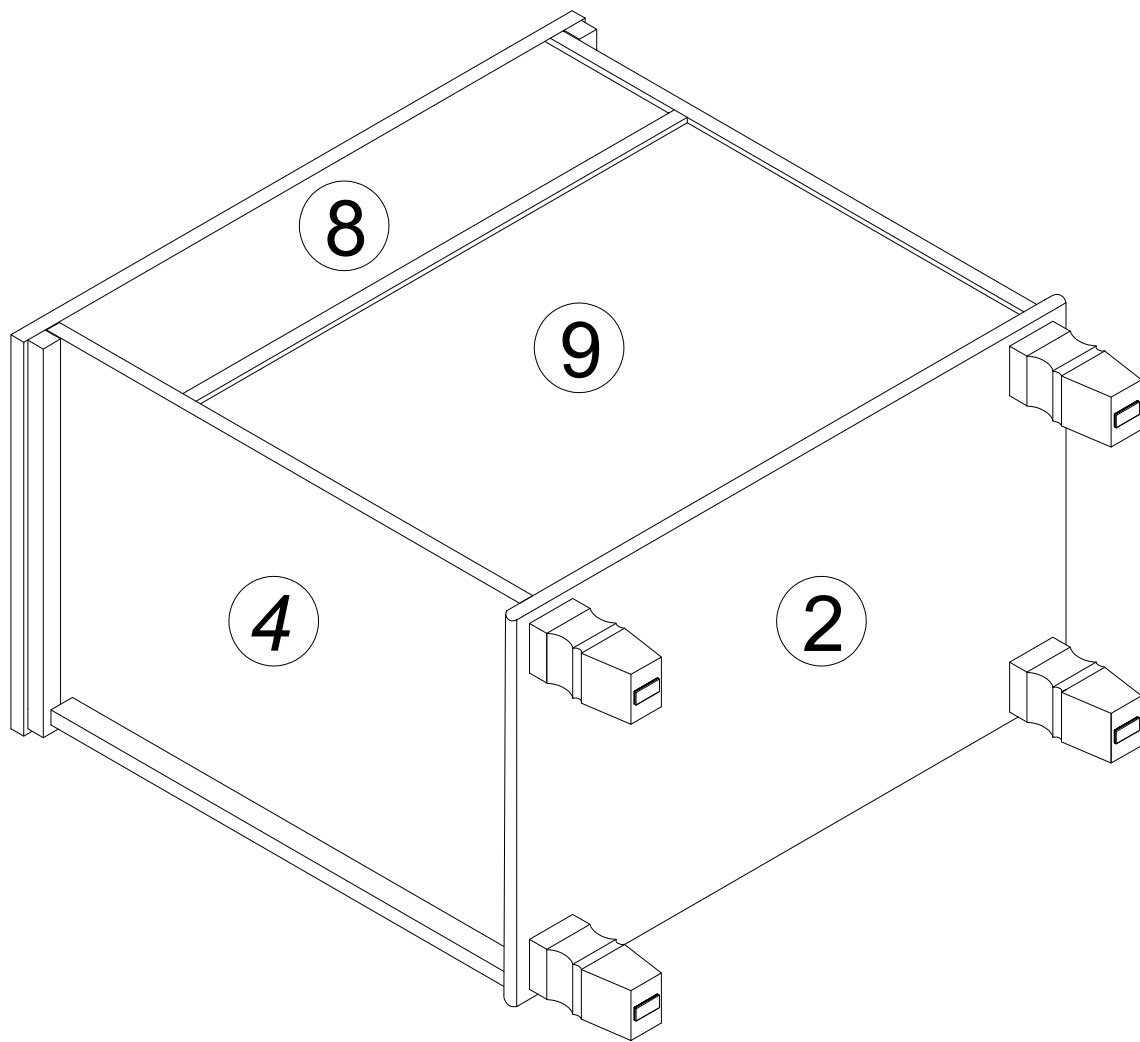
STEP 14

Q		CSK CAP WOOD SCREW M6 X 50MM	4 Pcs
----------	---	---------------------------------	-------




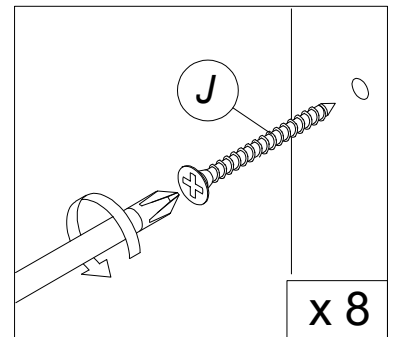
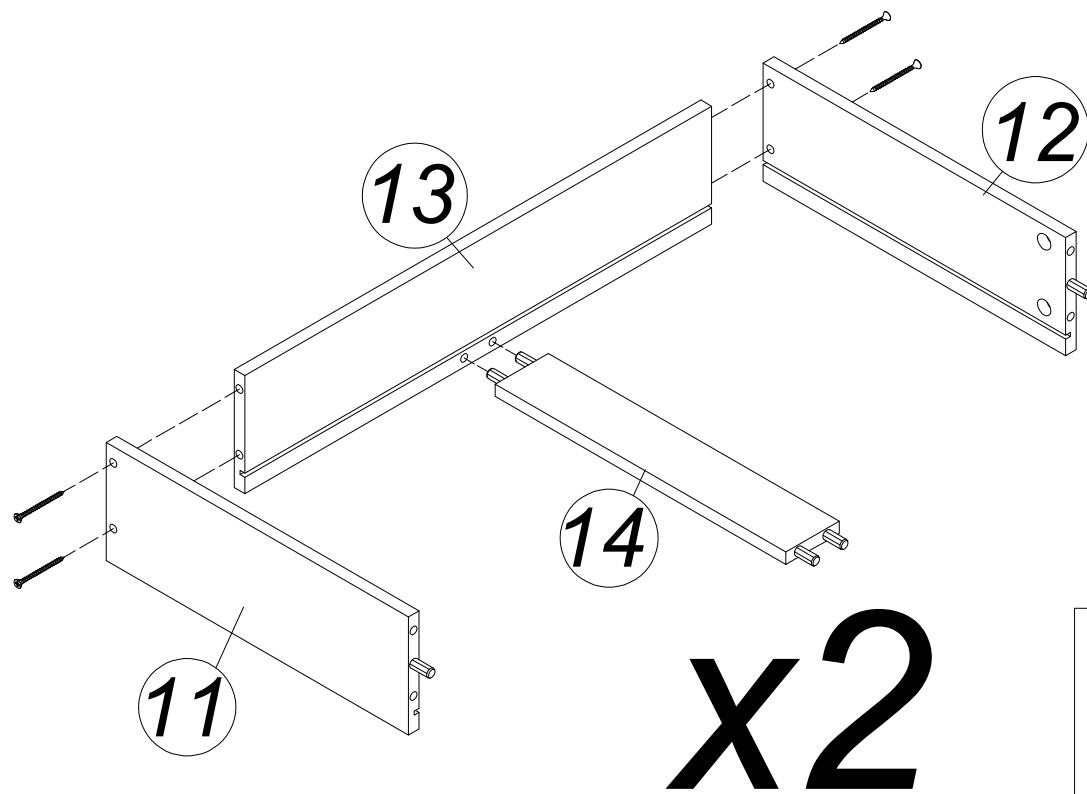
STEP 15

F		CP 4X15X30	4 Pcs
---	---	------------	-------

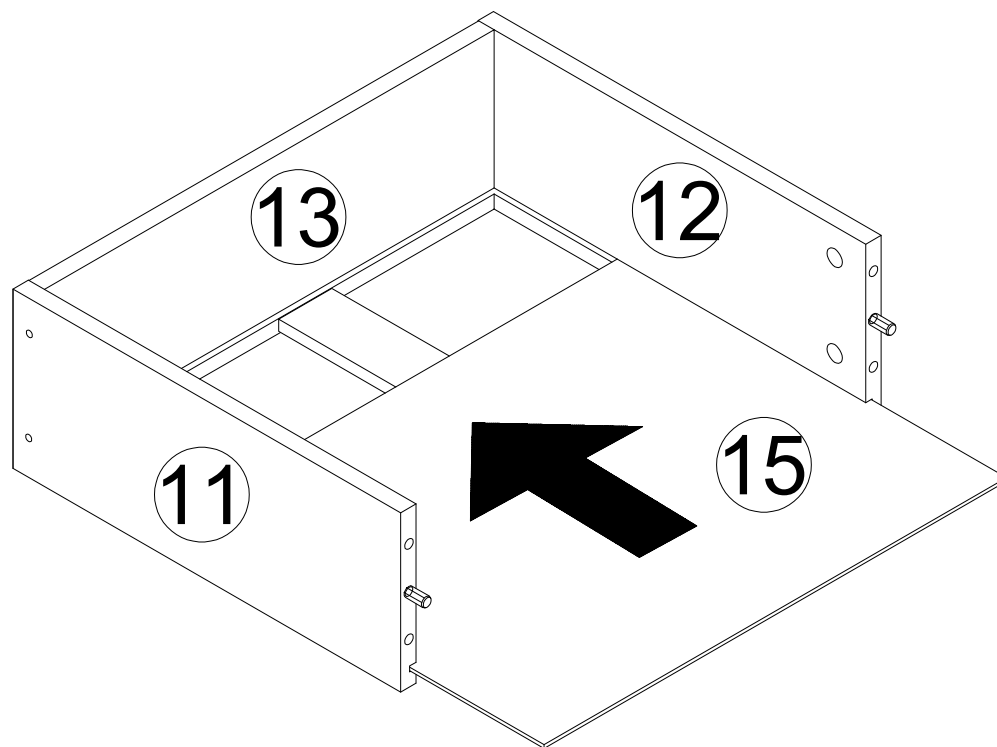


STEP 16


J		CSK M4 X 32 MM	8Pcs
---	--	----------------	------

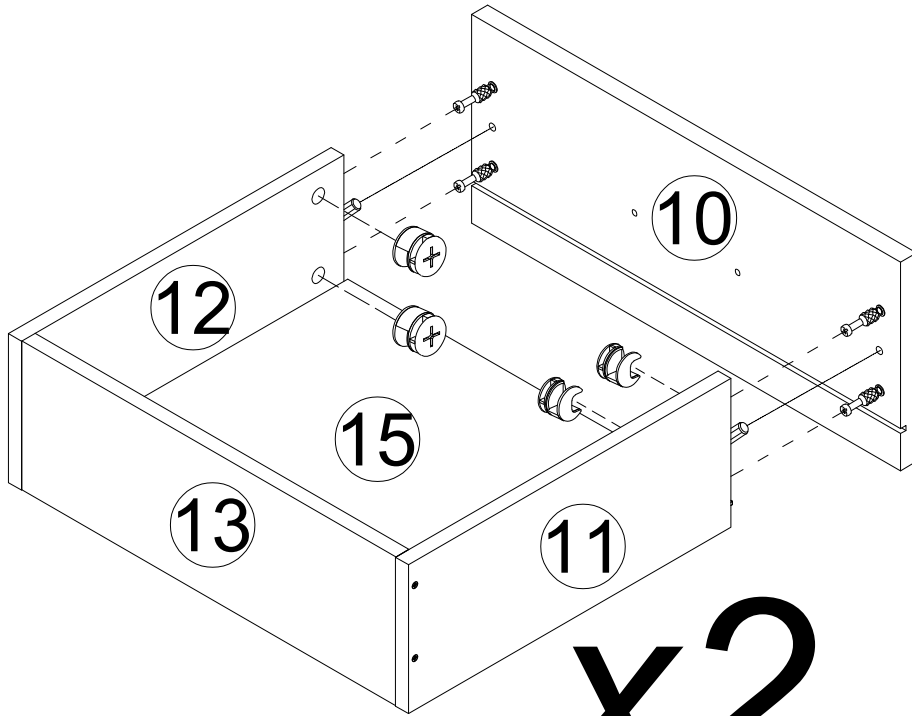


STEP 17

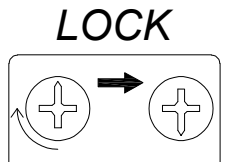


STEP 18

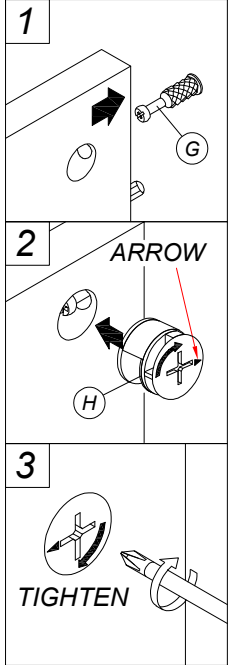
H		MINICAM (12MM)	8Pcs
---	--	----------------	------



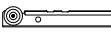

x2

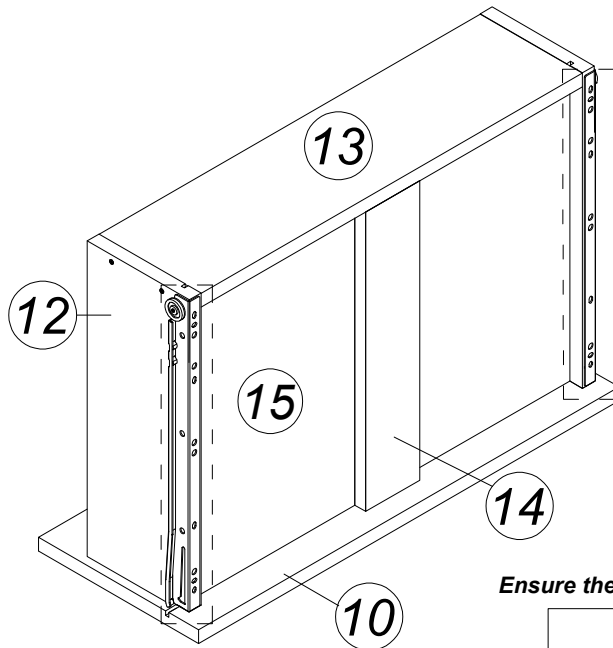


FIX THE MINICAM I AND MINIFIX H TO THE HOLE AS SHOWN.



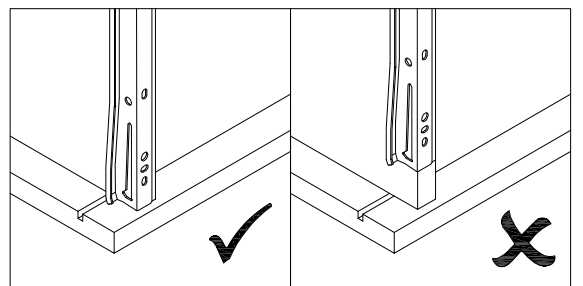
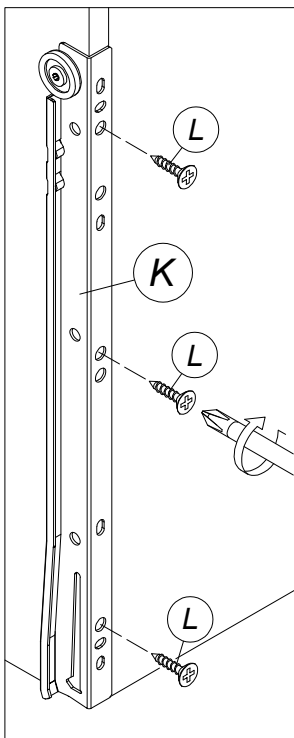
STEP 19

K		DRAWER SLIDE 300MM	2 SET
L		CSK M3 X12MM	12Pcs





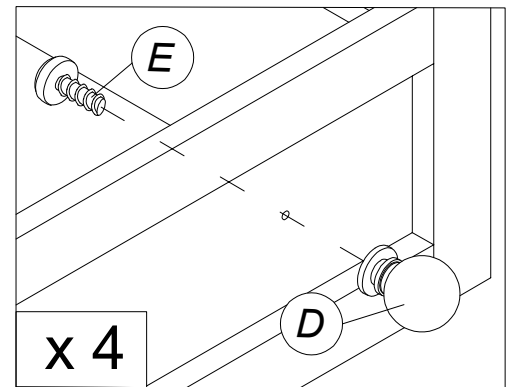
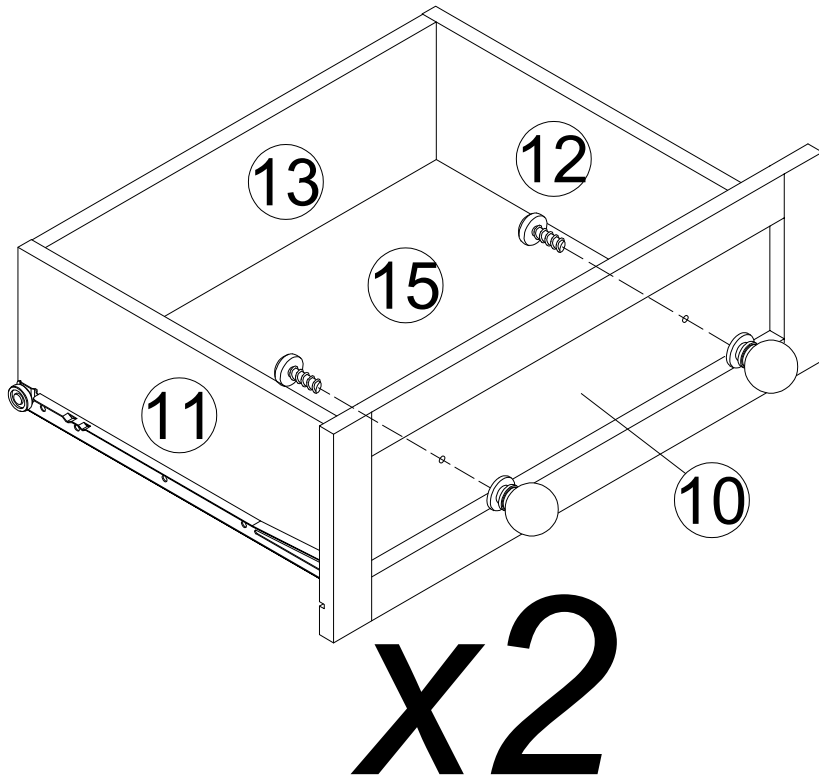
x2

Ensure the drawer members are fully pushed to drawer front.



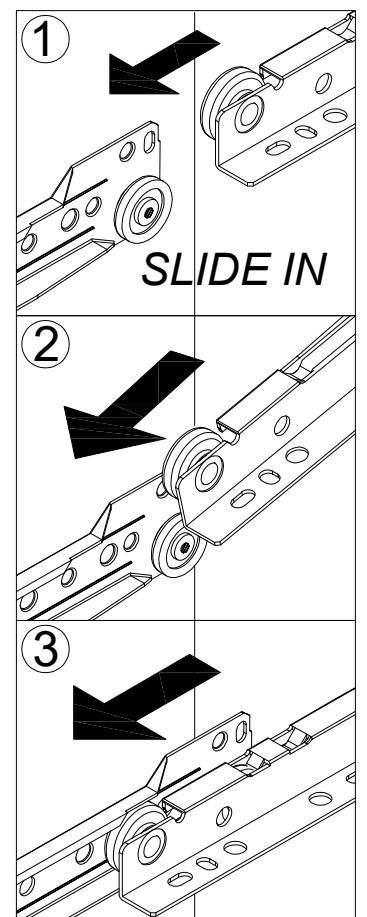
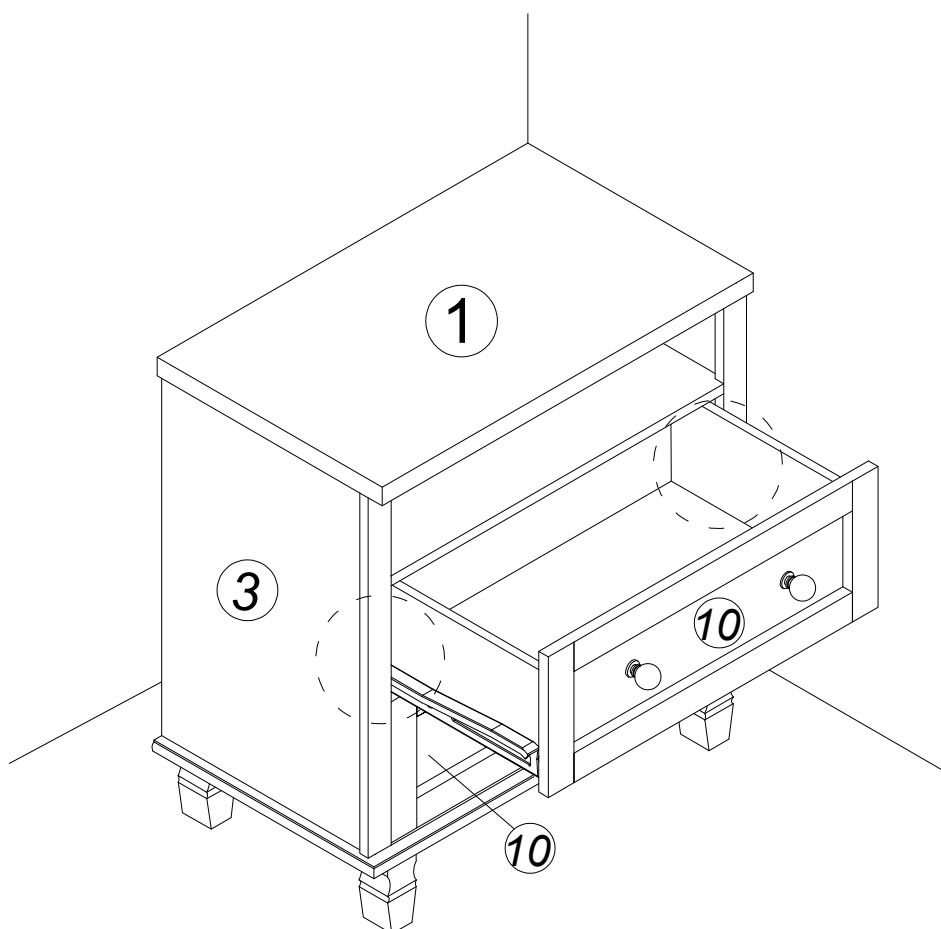
STEP 20

E		HANDLE SCREW M4 X 18MM	4Pcs
D		HANDLE KNOB	4Pcs



STEP 21

Slide the drawer into the assembled product.

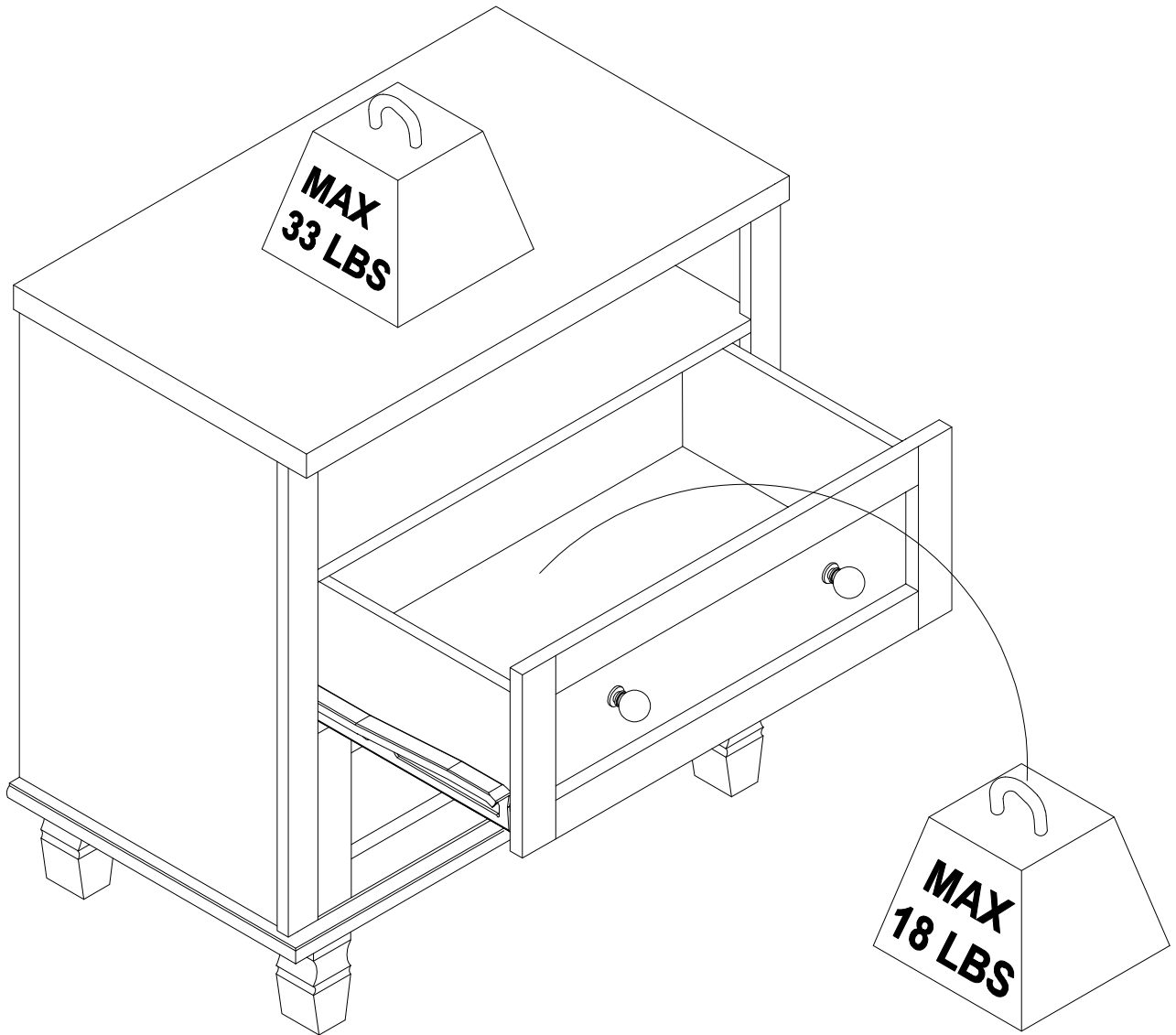


MAXIMUM LOAD

This units has been design to support the maximum loads. Exceeding these load limits could cause sagging, instability, product collapse, and/or serious injury.

CAUTION !!!

- *This item cannot be dragged.*
- *Please lift it to move.*



!!!WARNING!!!

Serious or fatal injuries can occur from falling furniture. To prevent furniture from falling, please do:

- Install the tipover restraint provided.
- Place heaviest items in the lowest rack.
- Do not let children climb or hang on drawers, doors, or shelves.

The use of tip over restraints may only reduce and not eliminate the risk of failing furniture.