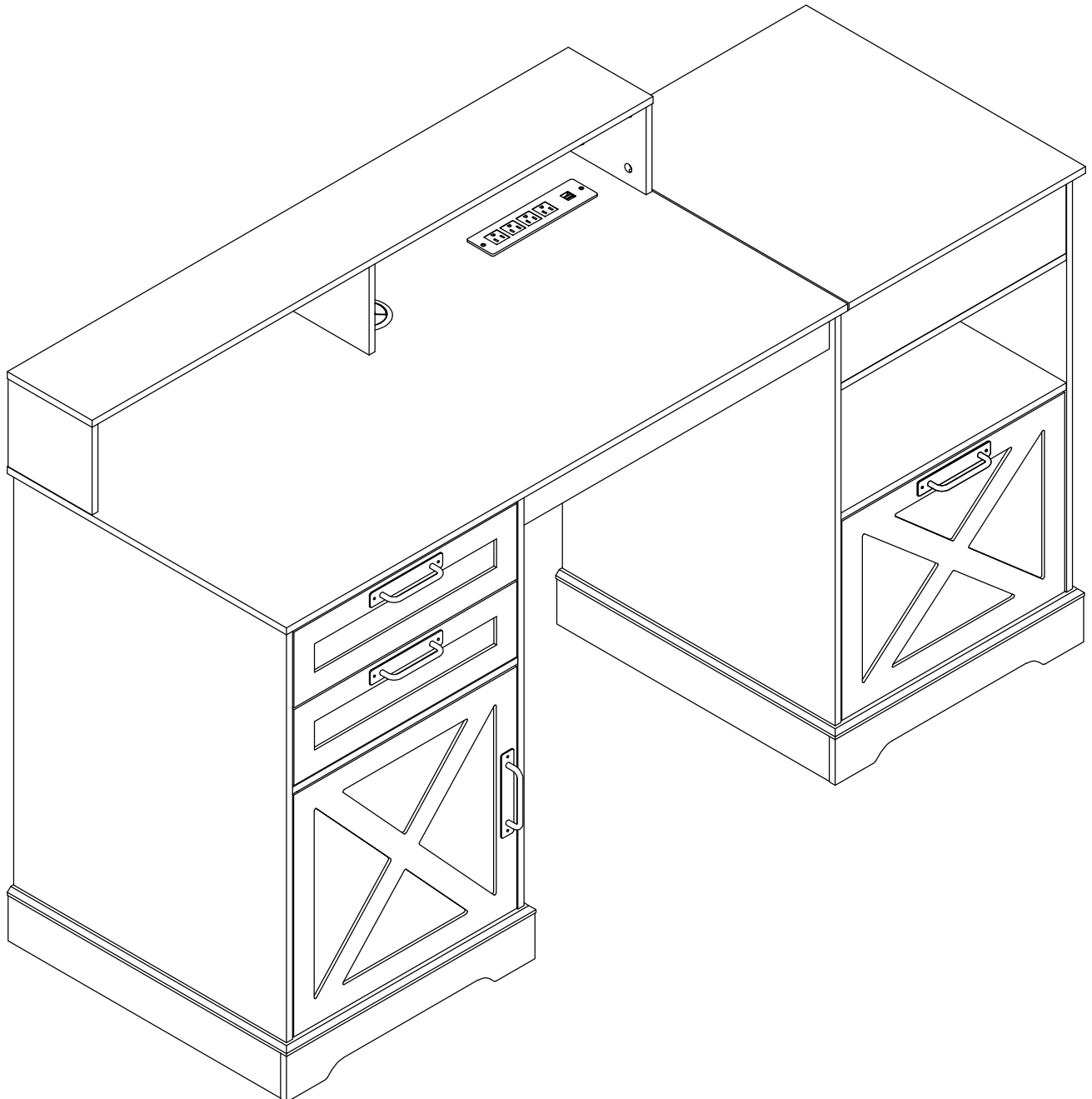


Computer Desk

User Manual

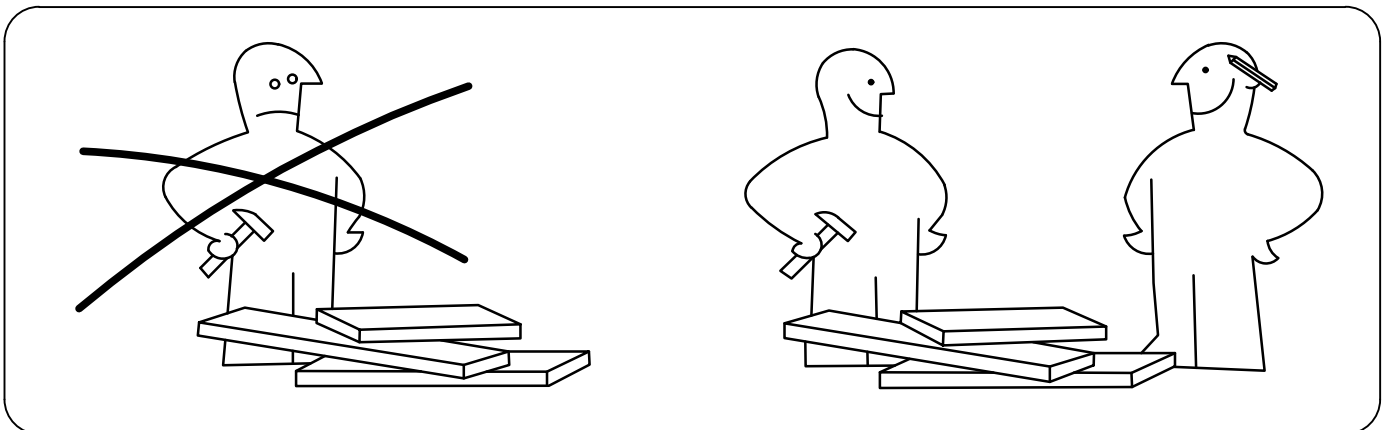
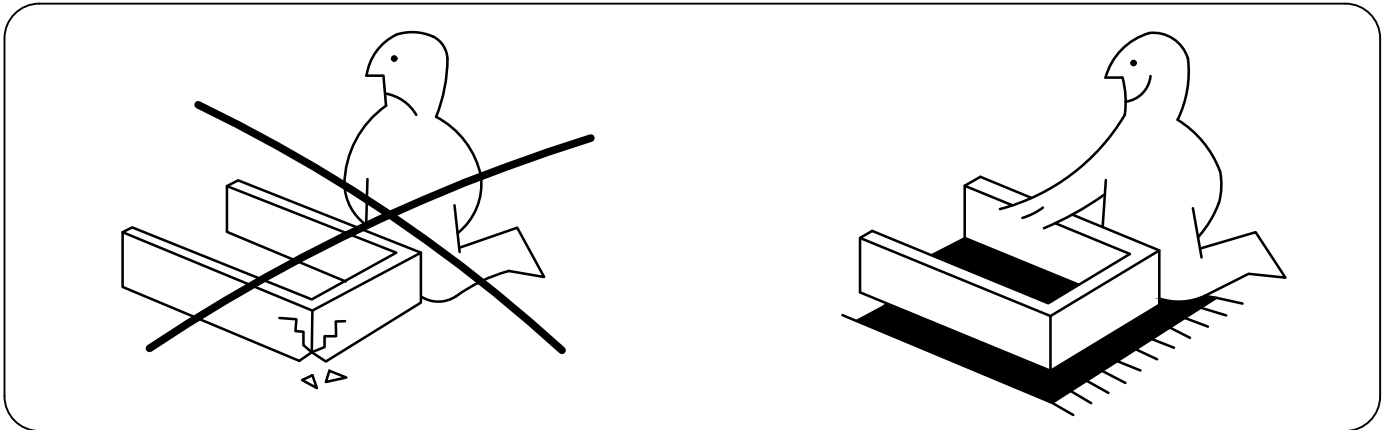


JFLDNZ2501
Customer Service Emails
US@JANFLY.COM
EU@JANFLY.COM

Version:1.1

INTRODUCTION

Thank you for purchasing our products. Committed to providing customers with the best quality products and service has always been our lifelong goal. Before using the product, please read this instruction manual carefully to ensure correct use. Keep the instruction manual in a place where the user can find it at any time.

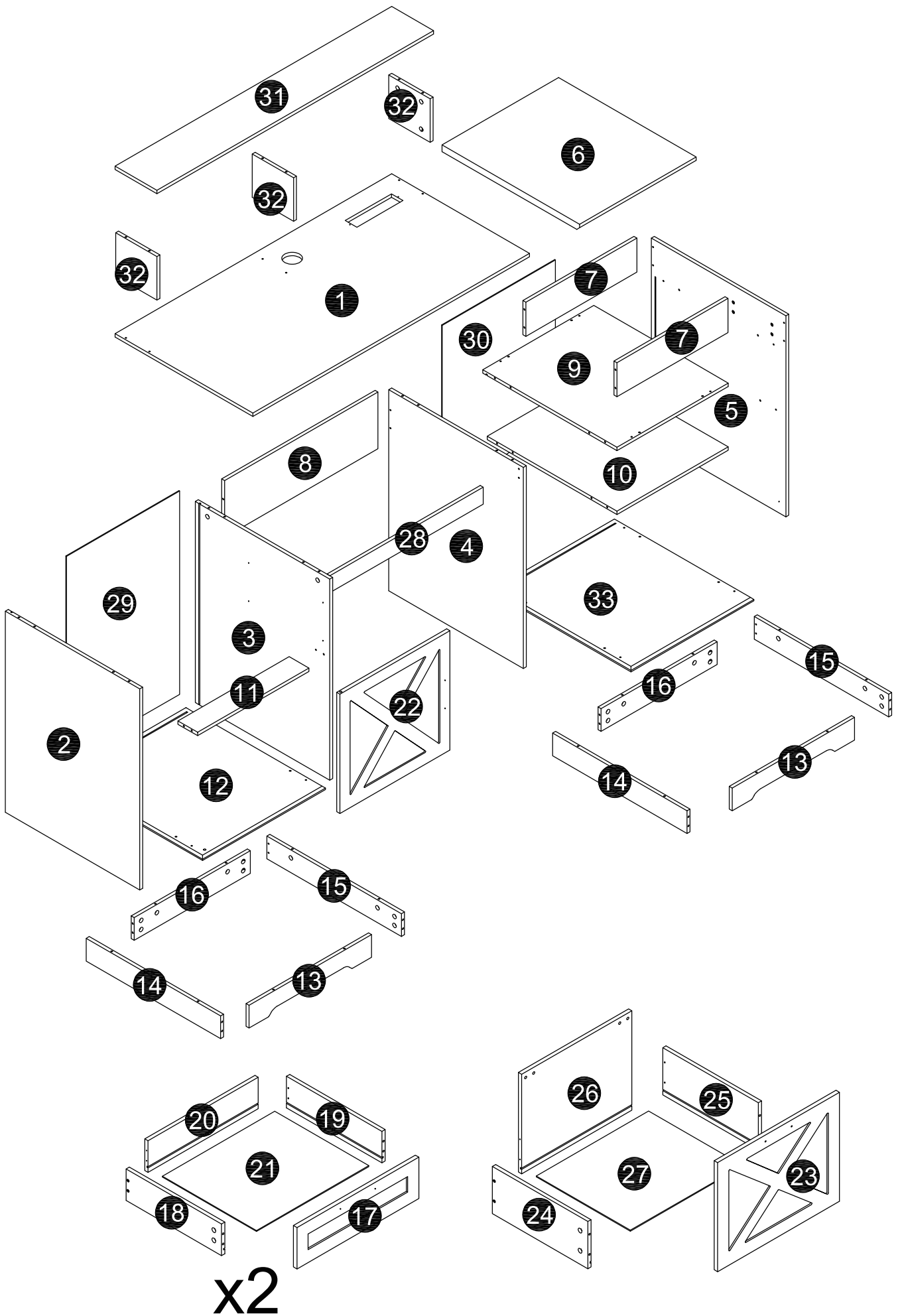


PRECAUTIONS

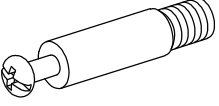
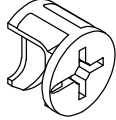
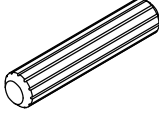
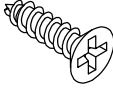
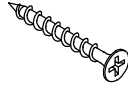
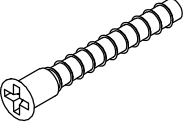
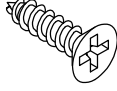
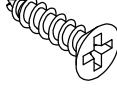
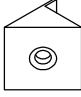
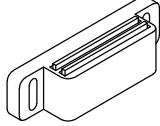
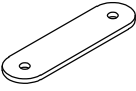
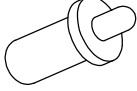
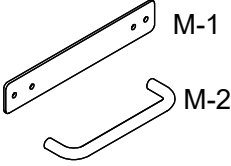
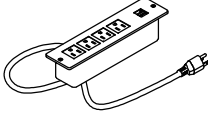

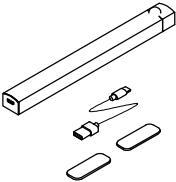
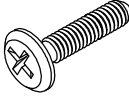
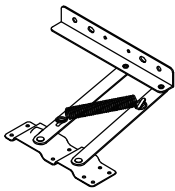
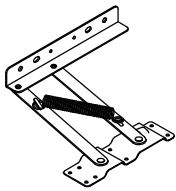



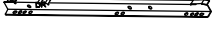

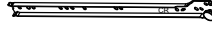
1. There are many components and accessories in the package. Each component and accessory is labeled with a letter or a number, check carefully before using any of them. Keep them away from children to prevent accidents.
2. Please install the product on a clean and soft underlay (such as carpet or cardboard) to avoid scratching or damaging the surface of the product.
3. The main components of the product is relatively heavy. Please pay attention to safety during installation.
4. The product is not stable during installation. Please do not move it randomly before it is completely installed.
5. If you have any questions during installation, please contact the customer service in time.

***PLEASE BE SURE TO FOLLOW THE INSTALLATION STEPS IN THE MANUAL TO AVOID UNNECESSARY LOSSES CAUSED BY IMPROPER INSTALLATION.**

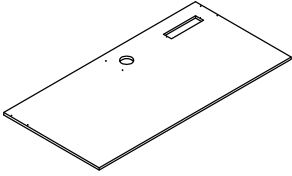
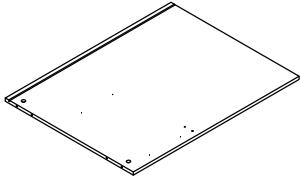
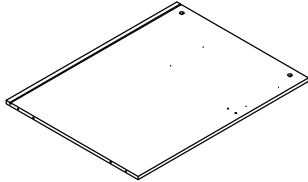
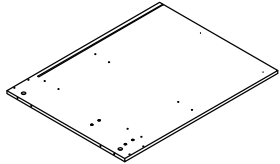
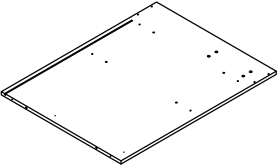
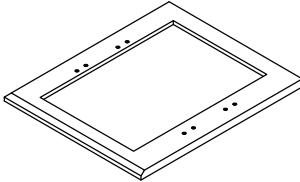
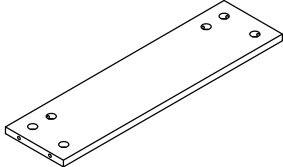
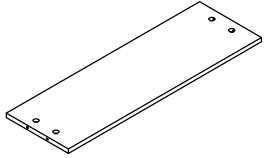
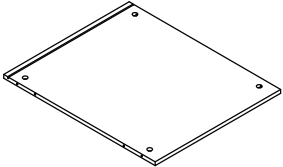
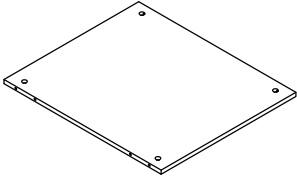
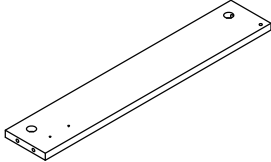
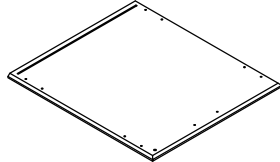
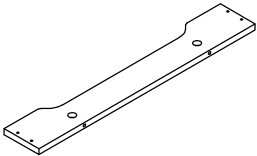
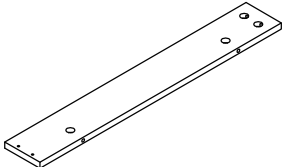
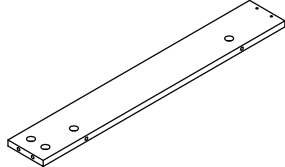
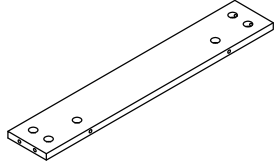
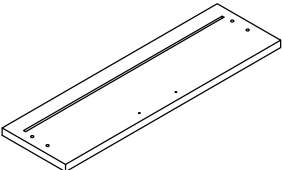
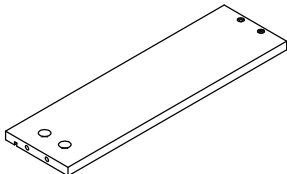
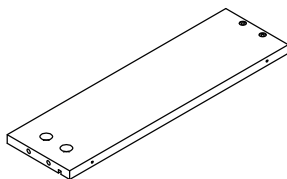
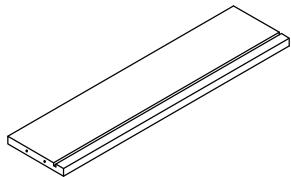
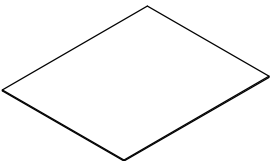
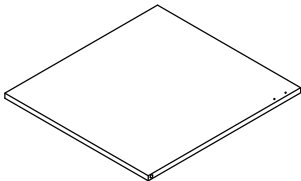
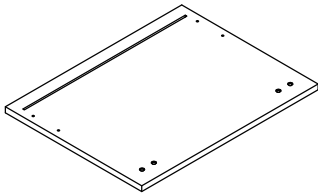
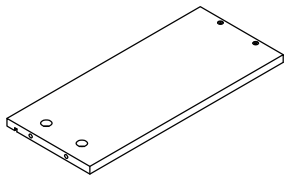
***IF YOU NEED FURTHER ASSISTANCE, PLEASE CONTACT THE CUSTOMER SERVICE ONLINE.**



HARDWARE LIST

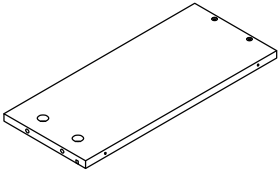
<p>A</p>  <p>92(+2)PCS</p>	<p>B</p>  <p>92(+2)PCS</p>	<p>C</p>  <p>28(+2)PCS</p>	<p>D</p>  <p>32(+2)PCS</p>	<p>E</p>  <p>12(+1)PCS</p>
<p>F</p>  <p>8 PCS</p>	<p>G</p>  <p>10 (+1) PCS</p>	<p>H</p>  <p>12 (+1) PCS</p>	<p>I</p>  <p>10 PCS</p>	<p>J</p>  <p>1 PC</p>
<p>K</p>  <p>1 PC</p>	<p>L</p>  <p>2 PCS</p>	<p>M</p>  <p>4 PCS</p>	<p>N</p>  <p>1 PC</p>	<p>O</p>  <p>1 PC</p>
<p>P</p>  <p>2 PCS</p>	<p>Q</p>  <p>16(+1) PCS</p>	<p>R</p>  <p>1 PC</p>	<p>R-2</p>  <p>1 PC</p>	<p>S</p>  <p>2 PCS</p>
<p>U</p>  <p>8 PCS</p>				
<p>T</p>  <p>DL</p> <p>3 PCS</p>	 <p>DR</p> <p>3 PCS</p>	 <p>CL</p> <p>3 PCS</p>	 <p>CR</p> <p>3 PCS</p>	

PANEL LIST

<p>1</p>  <p>1PC</p>	<p>2</p>  <p>1PC</p>	<p>3</p>  <p>1PC</p>	<p>4</p>  <p>1PC</p>
<p>5</p>  <p>1PC</p>	<p>6</p>  <p>1PC</p>	<p>7</p>  <p>2 PCS</p>	<p>8</p>  <p>1PC</p>
<p>9</p>  <p>1PC</p>	<p>10</p>  <p>1PC</p>	<p>11</p>  <p>1PC</p>	<p>12</p>  <p>1PC</p>
<p>13</p>  <p>2 PCS</p>	<p>14</p>  <p>2PCS</p>	<p>15</p>  <p>2PCS</p>	<p>16</p>  <p>2PCS</p>
<p>17</p>  <p>2PCS</p>	<p>18</p>  <p>2PCS</p>	<p>19</p>  <p>2PCS</p>	<p>20</p>  <p>2PCS</p>
<p>21</p>  <p>2PCS</p>	<p>22</p>  <p>1PC</p>	<p>23</p>  <p>1PC</p>	<p>24</p>  <p>1PC</p>

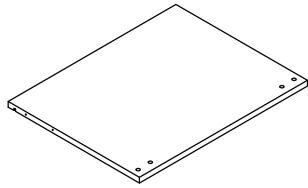
PANEL LIST

25



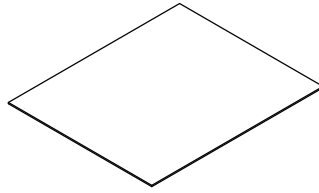
1PC

26



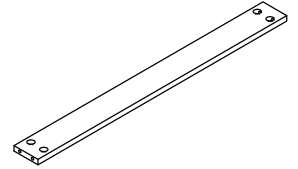
1PC

27



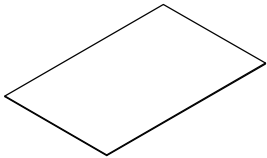
1PC

28



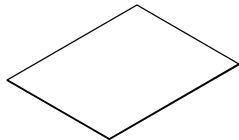
1PC

29



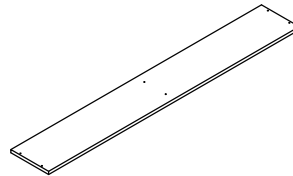
1PC

30



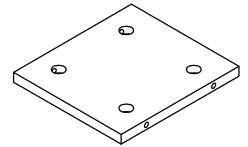
1PC

31



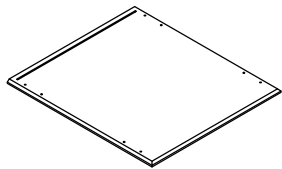
1PC

32



3PCS

33

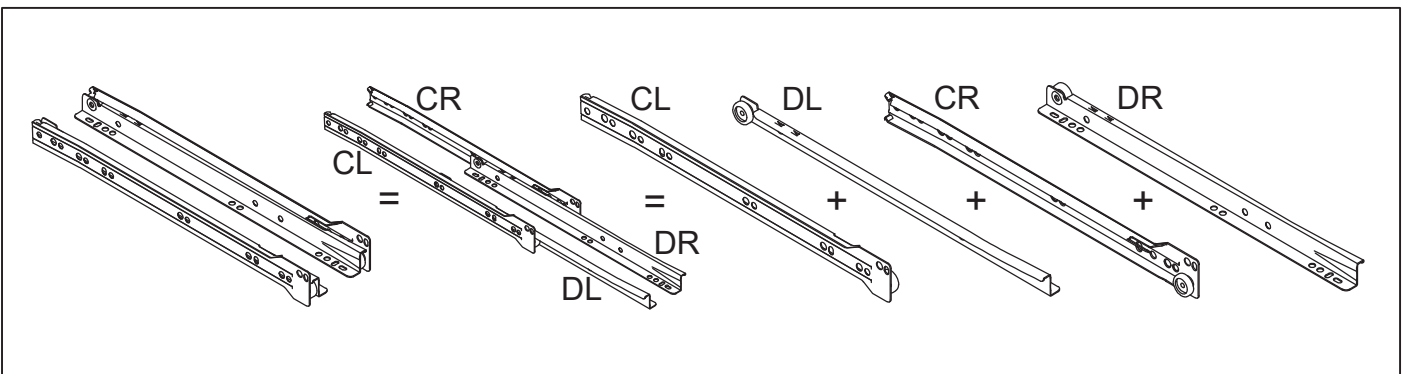
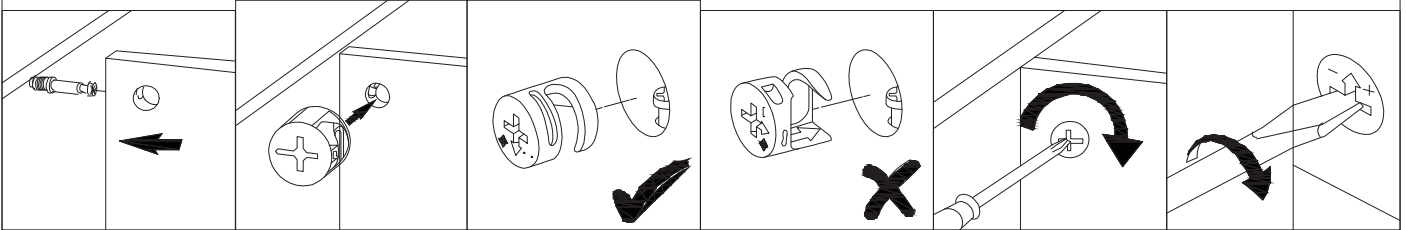
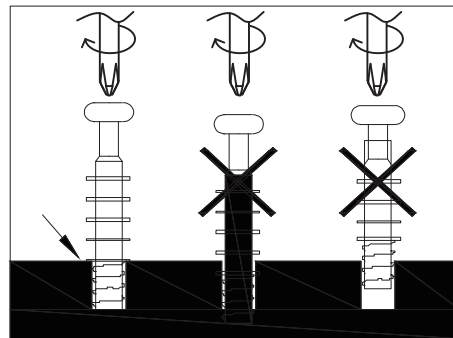


1PC

TIPS

1. When installing the product, use a soft surface (such as carpet or cardboard) to avoid scratching or damaging the surface of the product.
2. Please try to use a manual screwdriver instead of electric screw driver. A manual screwdriver can be used to better control the tightness of the screws.
3. Do not use any glue.
4. The product is unstable before it is assembled. Please pay attention to the product installation sequence, and align all screws and screw holes before tightening.
5. The structure of this product can not meet the requirements of children climbing.

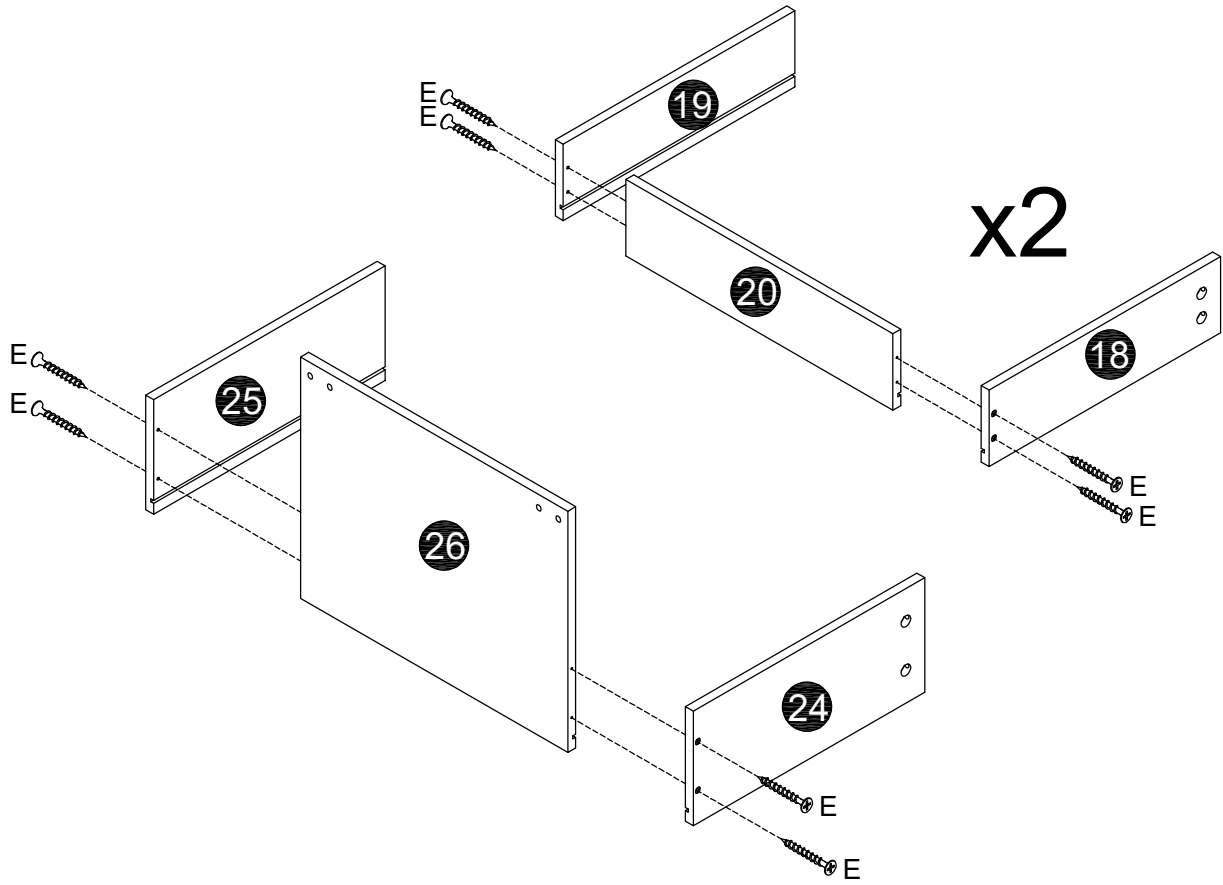
Installation method of three in one rod and buckle



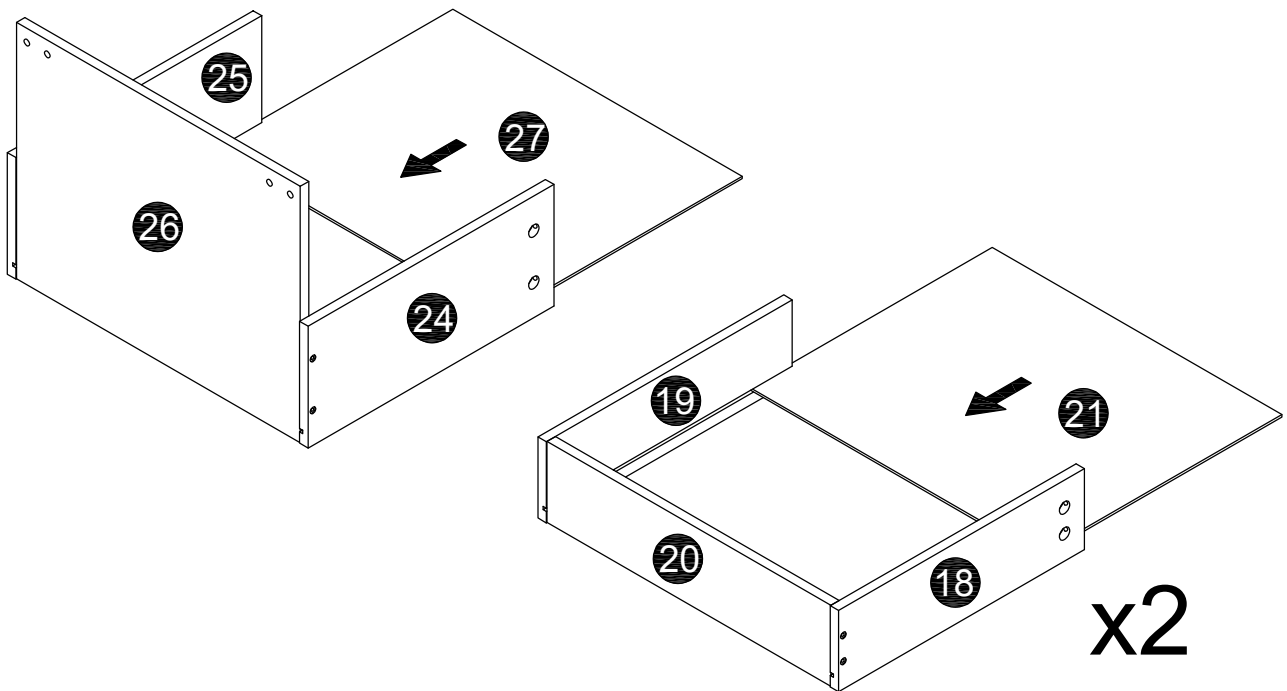
01

INSTALLATION STEPS

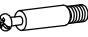
Ex12

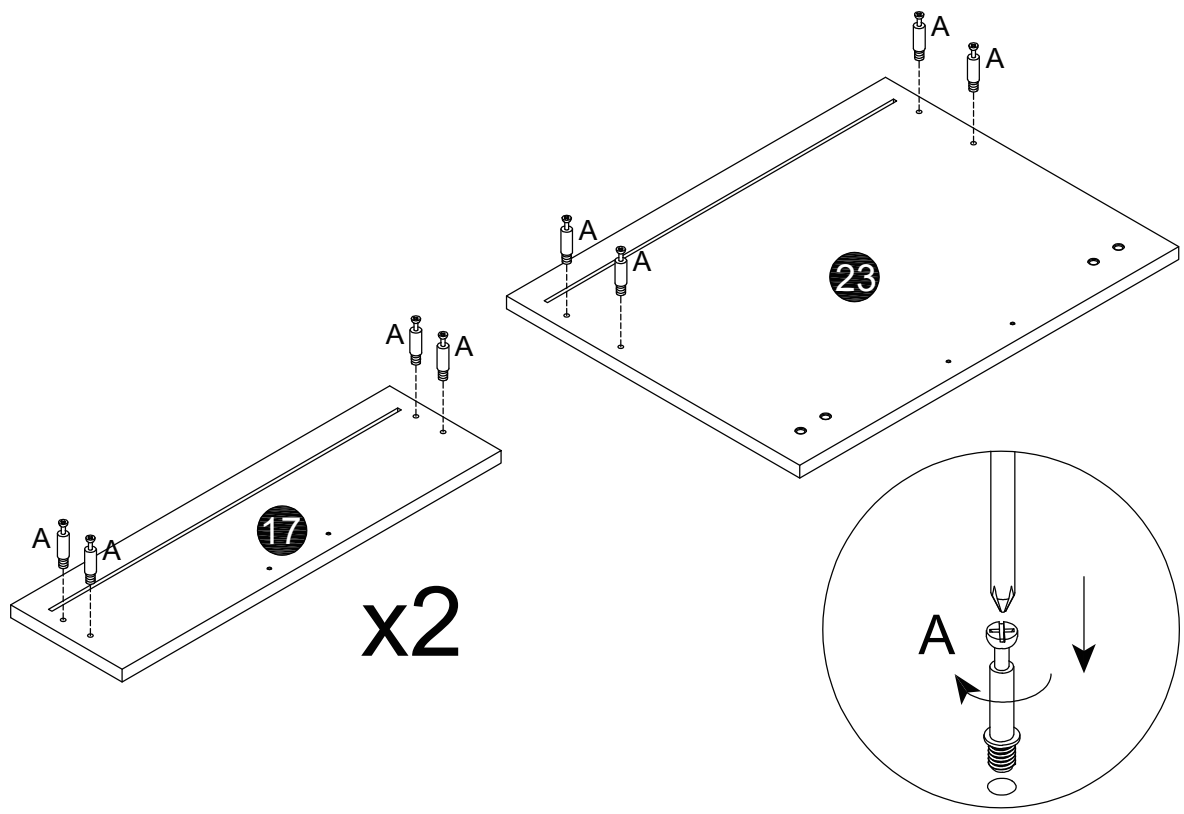


02




03

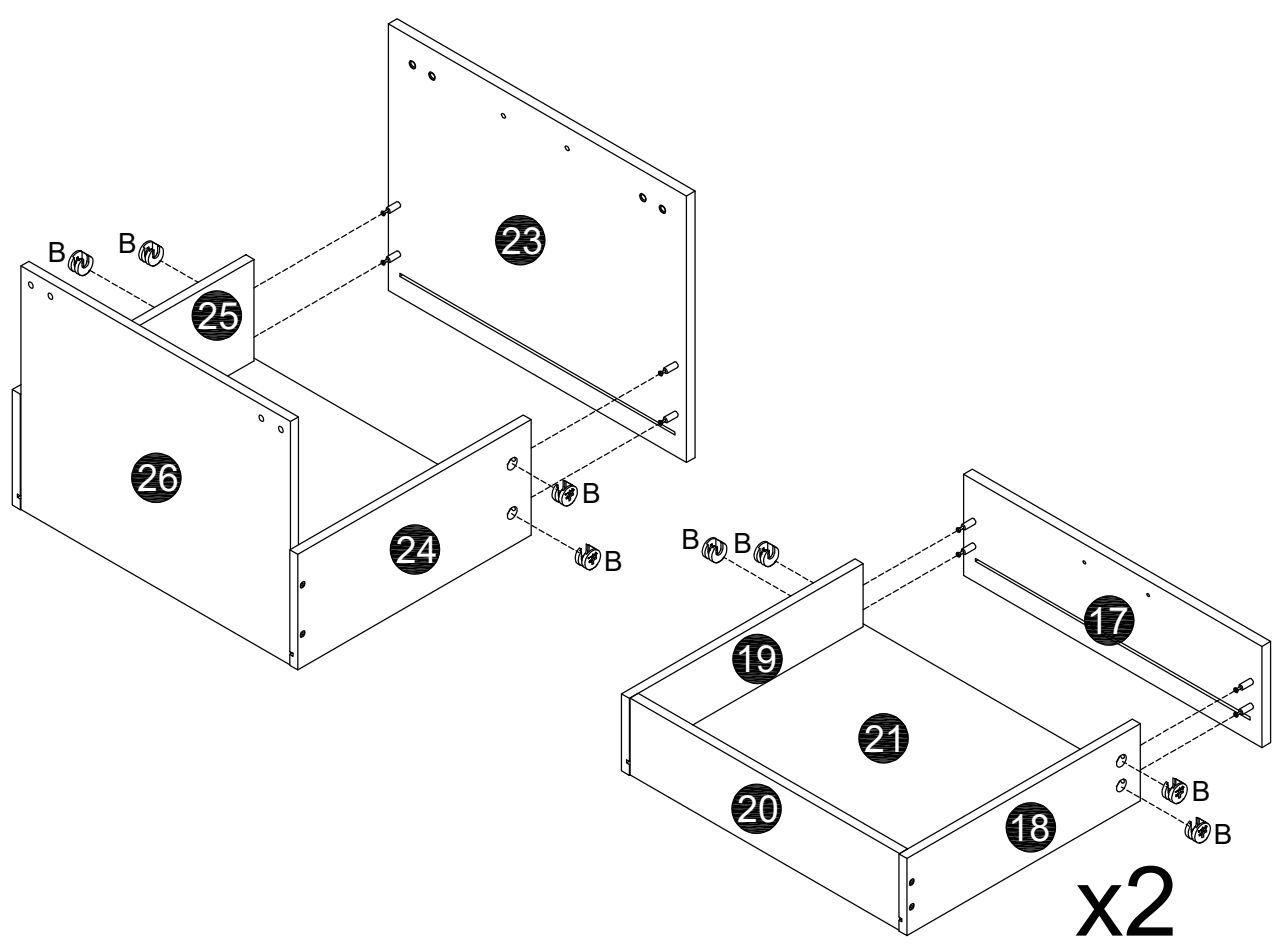
Ax12 



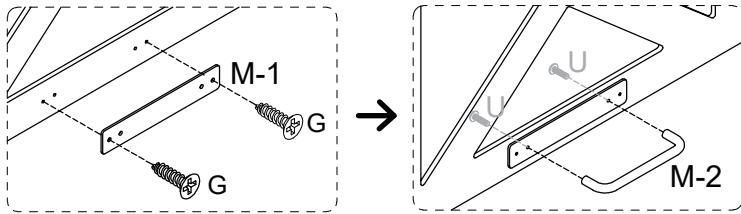
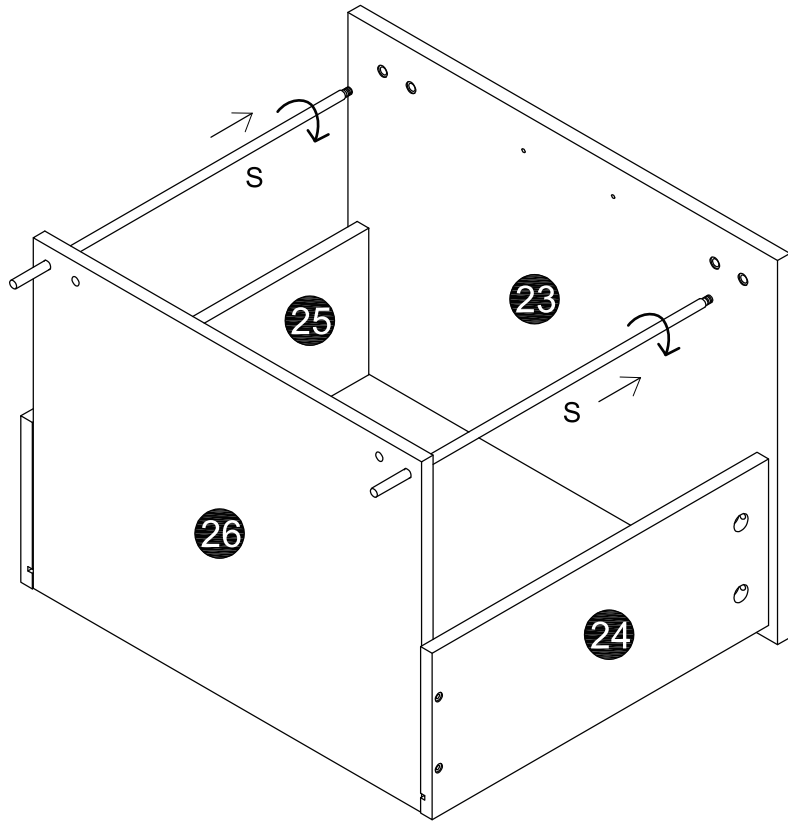
x2

04

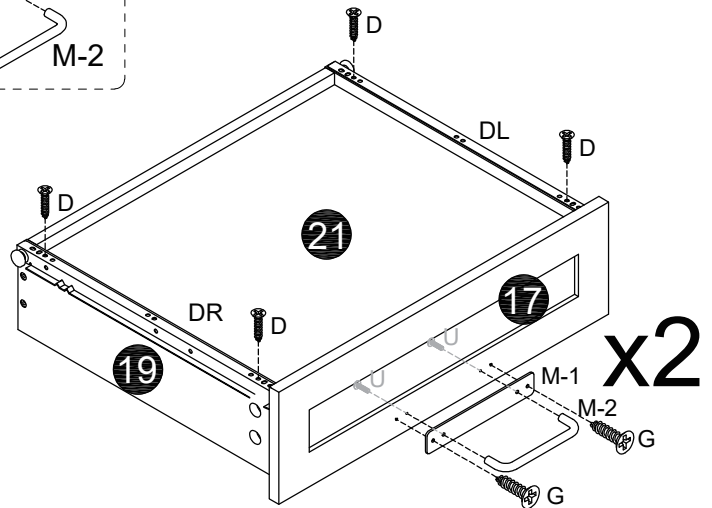
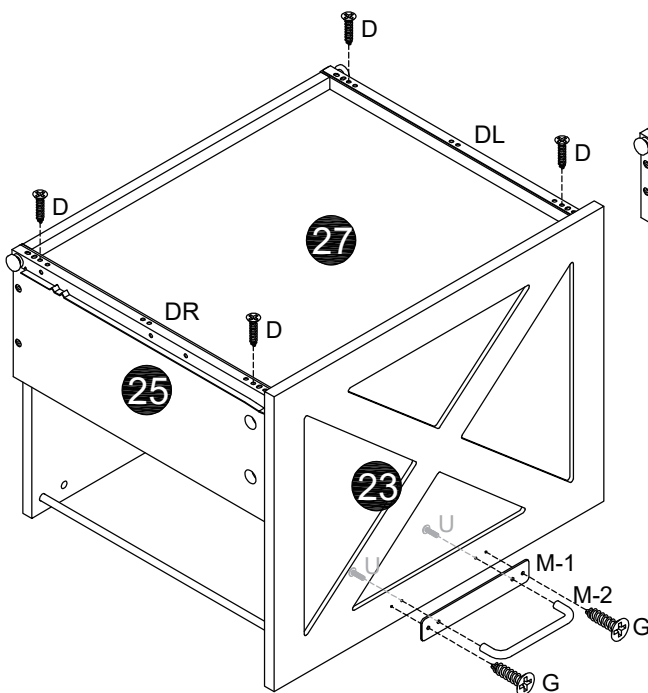
Bx12 






x2

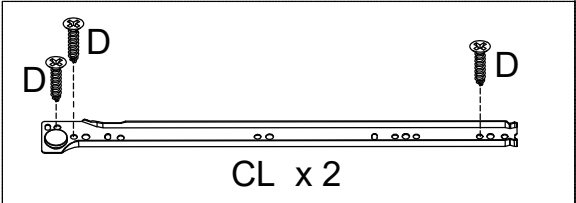
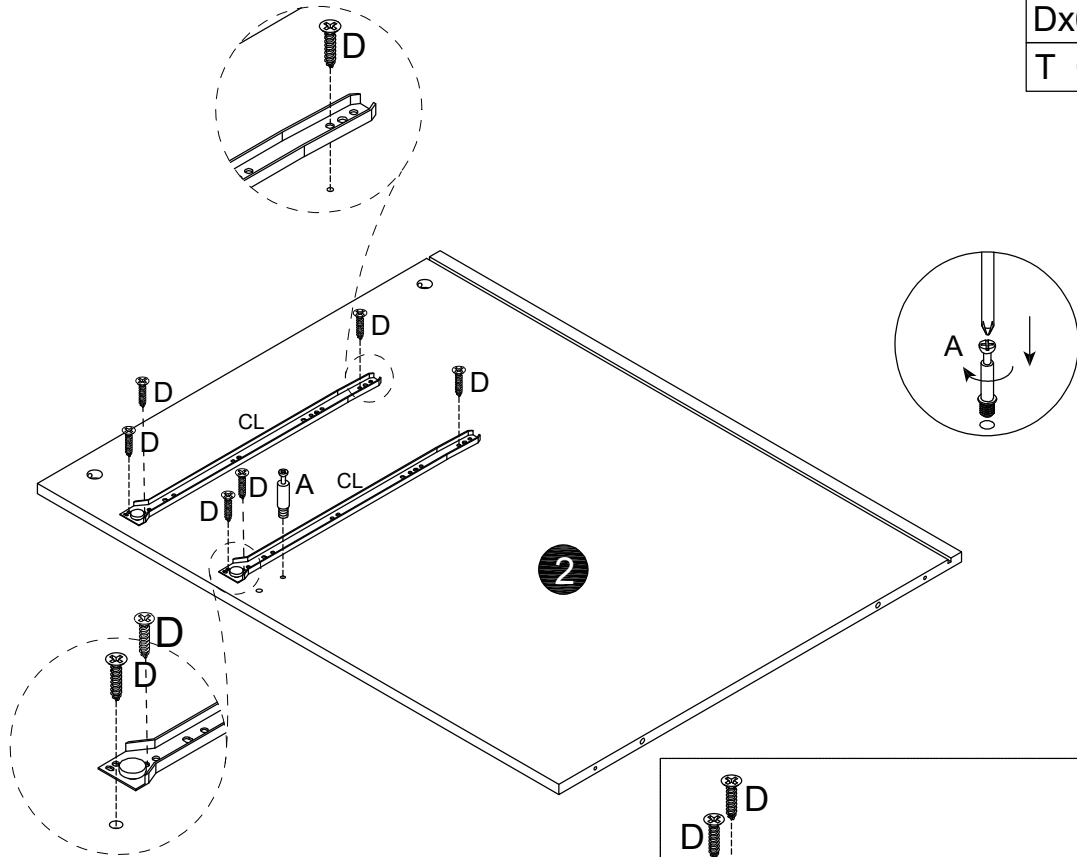


Gx6		T DRx3	
Mx3		T DLx3	
Ux6		Dx12	






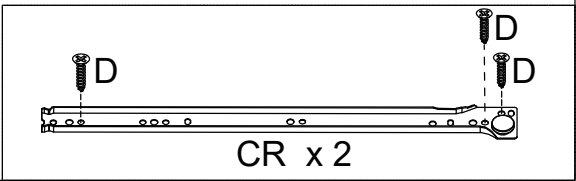
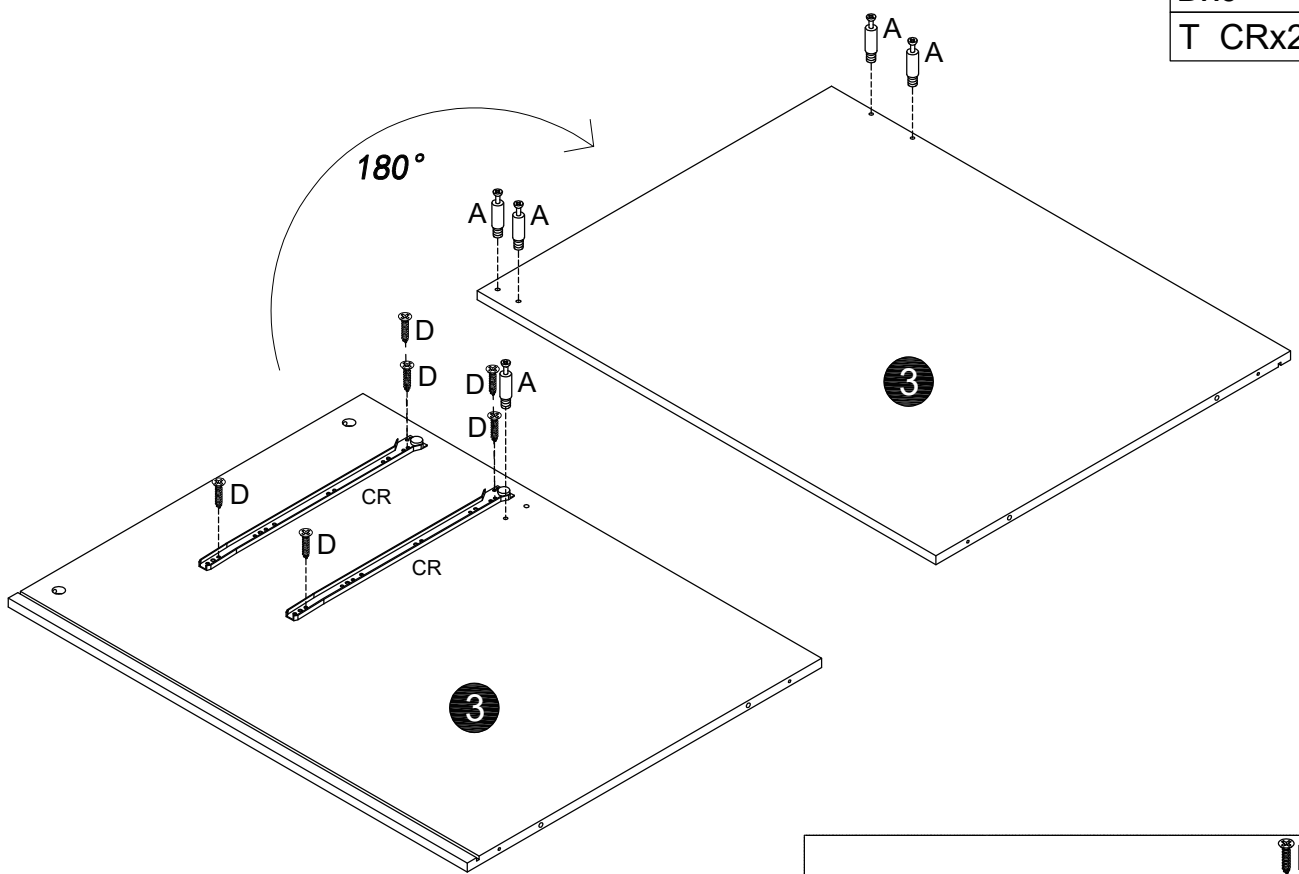
07

- Ax1 
- Dx6 
- T CLx2 

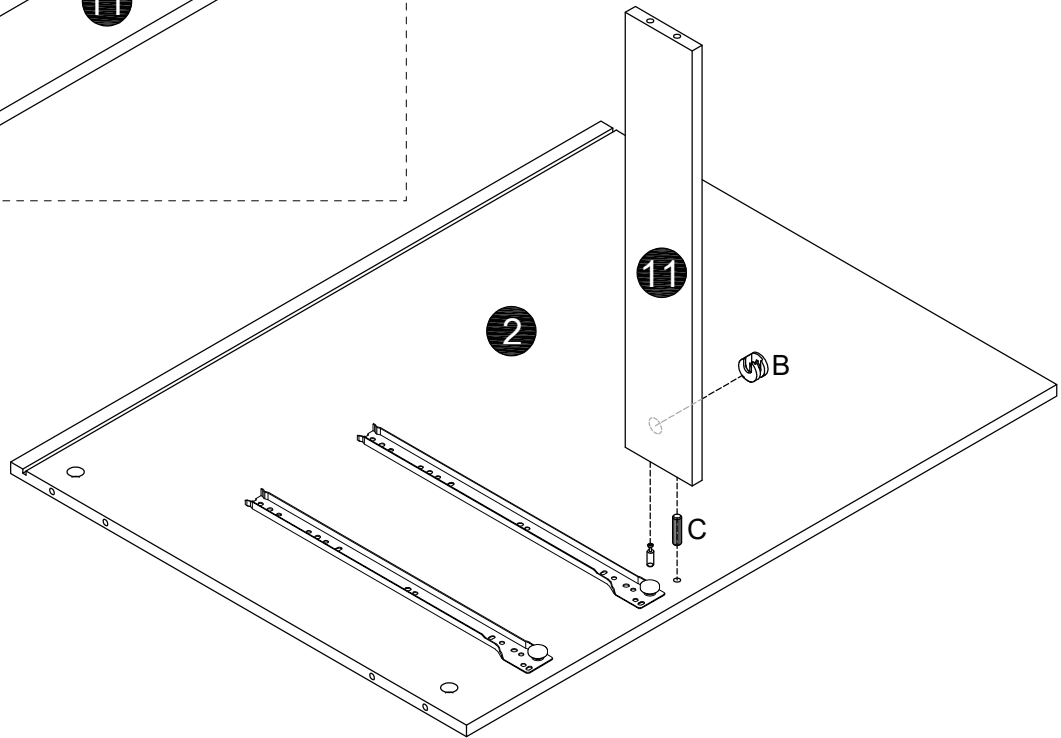
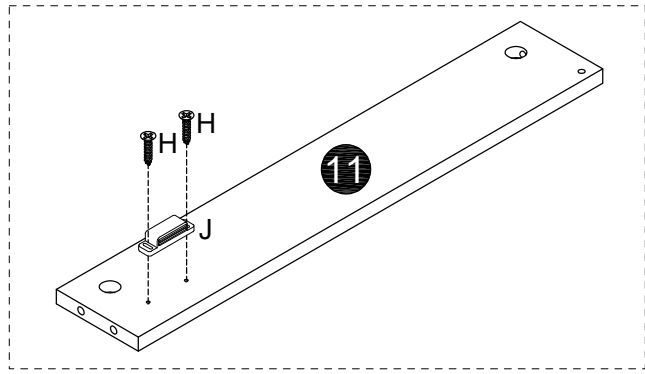


08

- Ax5 
- Dx6 
- T CRx2 

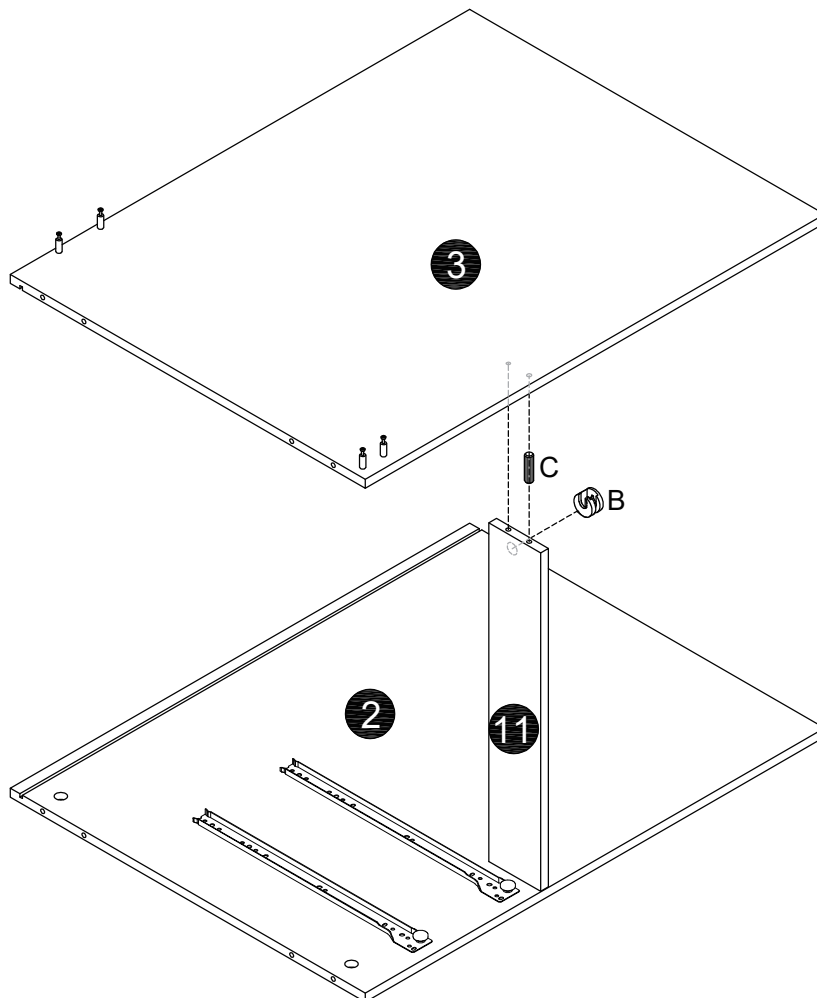


09




Hx2	
Jx1	
Bx1	
Cx1	

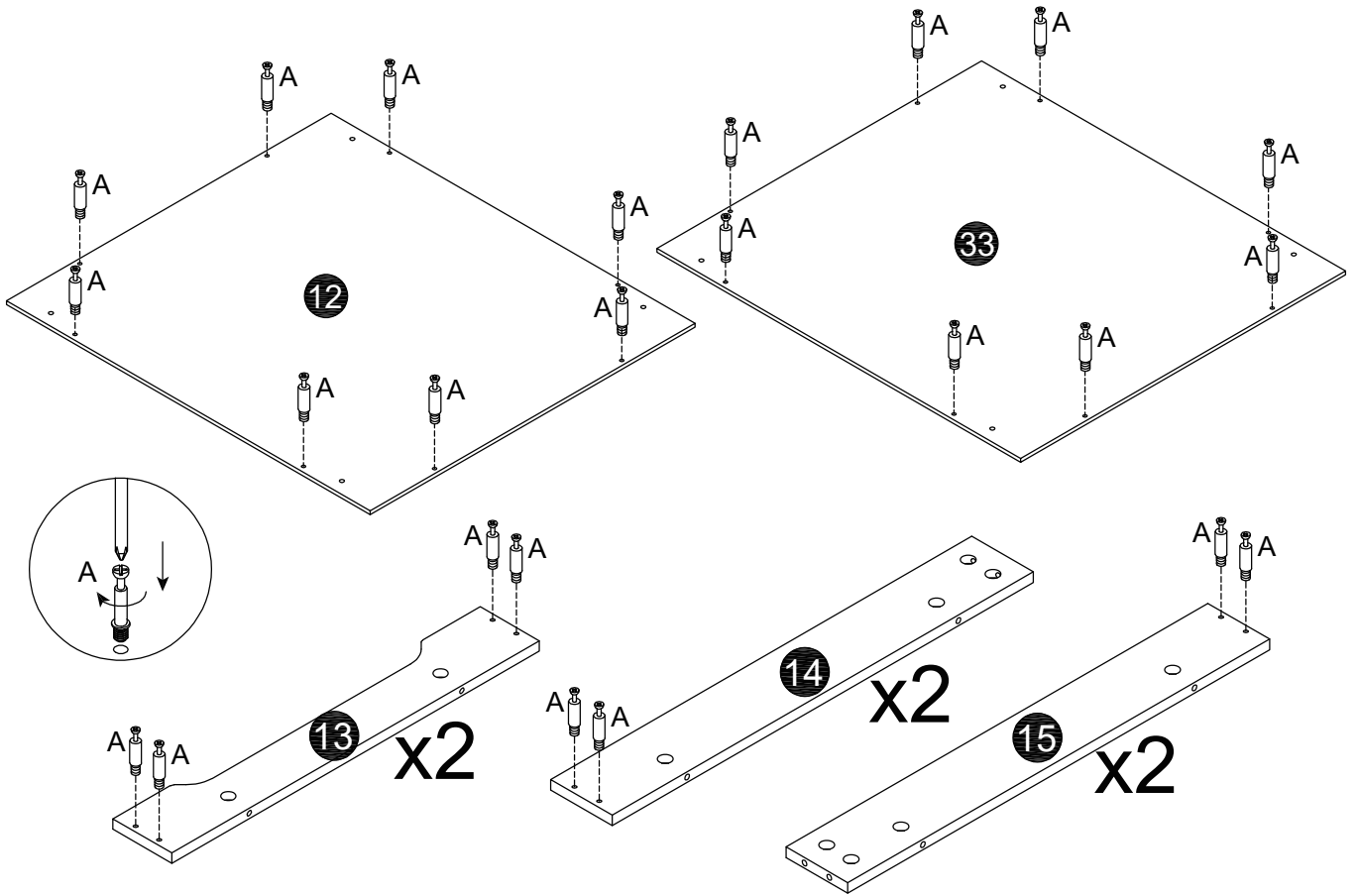
10




Bx1	
Cx1	

11

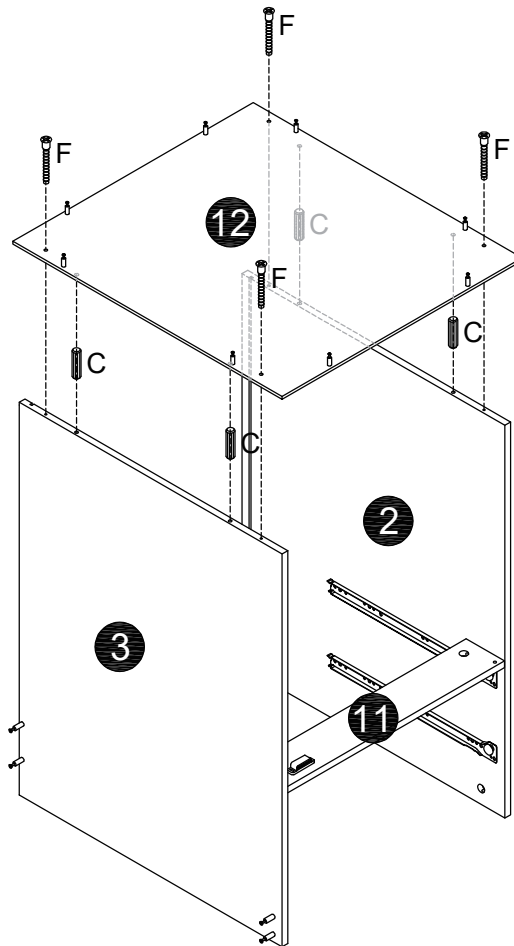
Ax32 



12

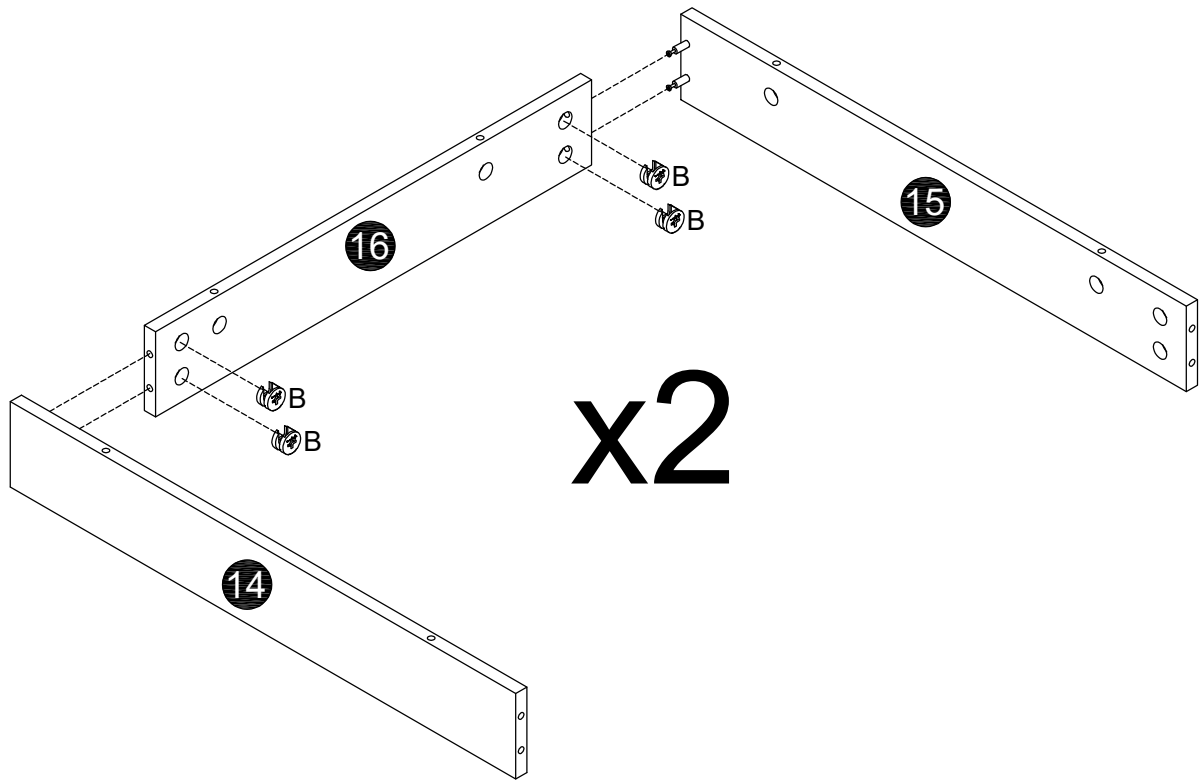
Cx4 

Fx4 



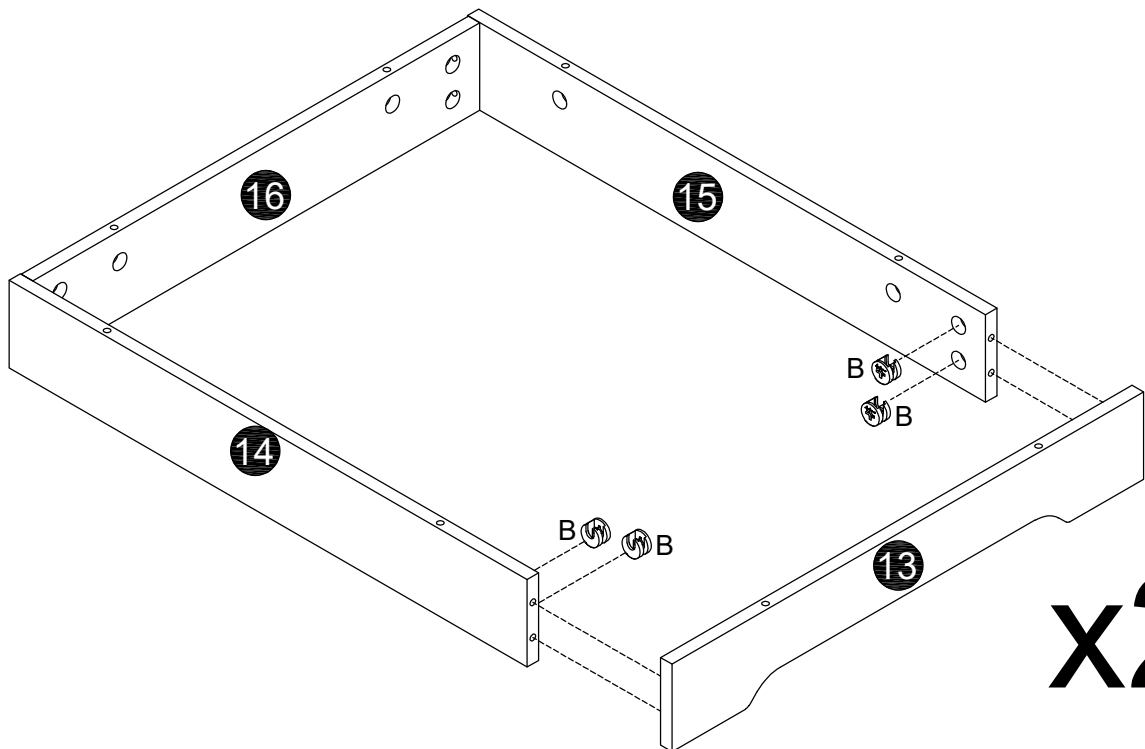
13

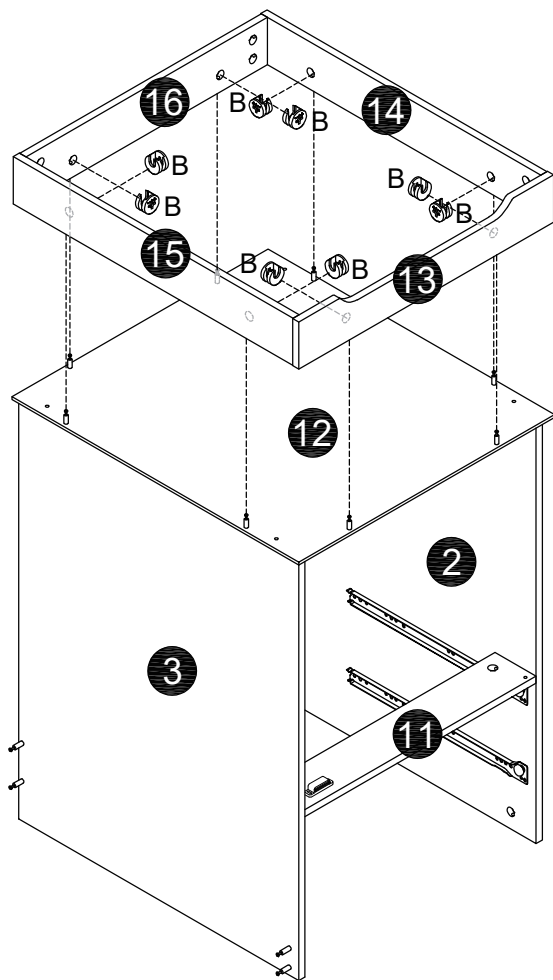
Bx8



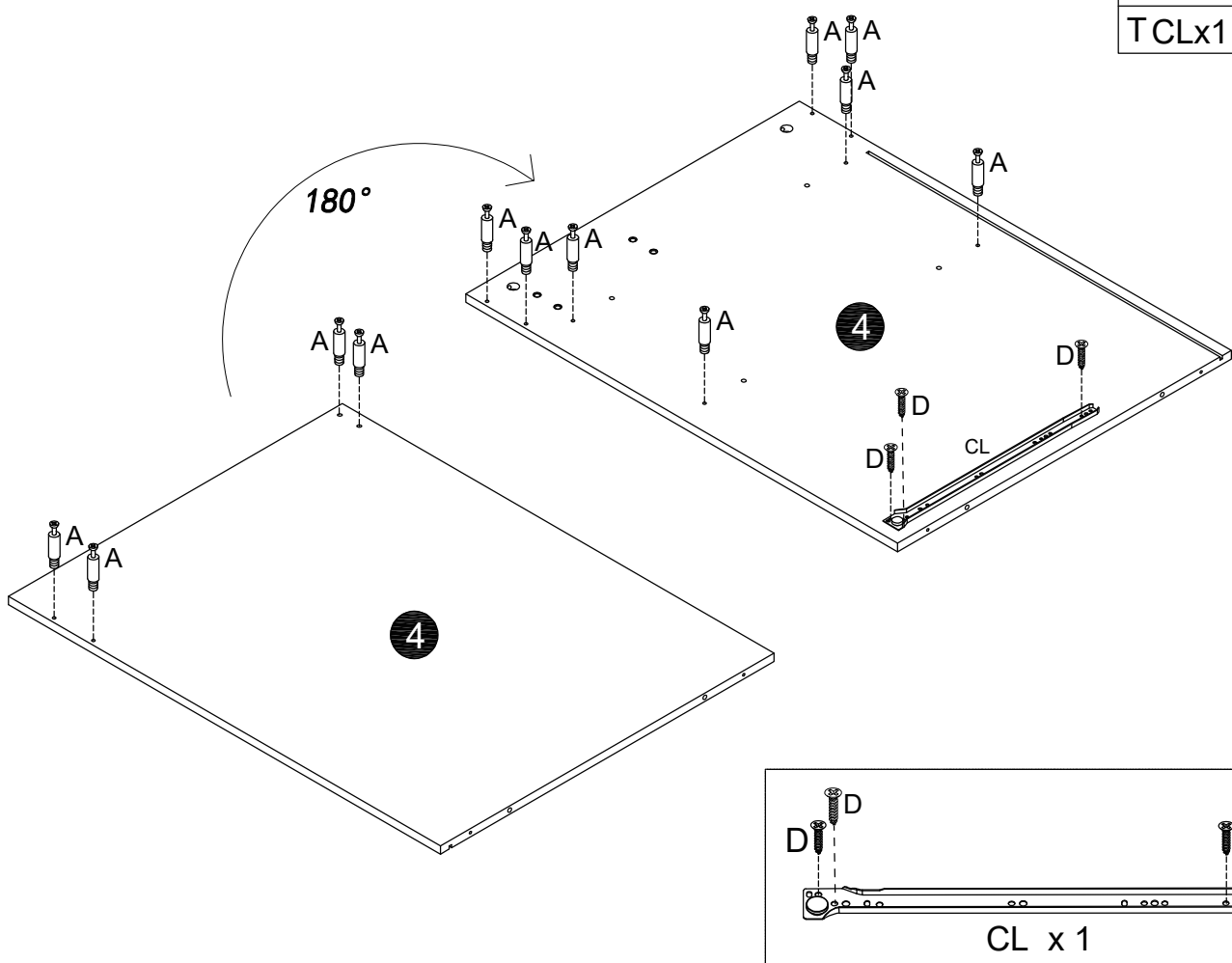
14

Bx8






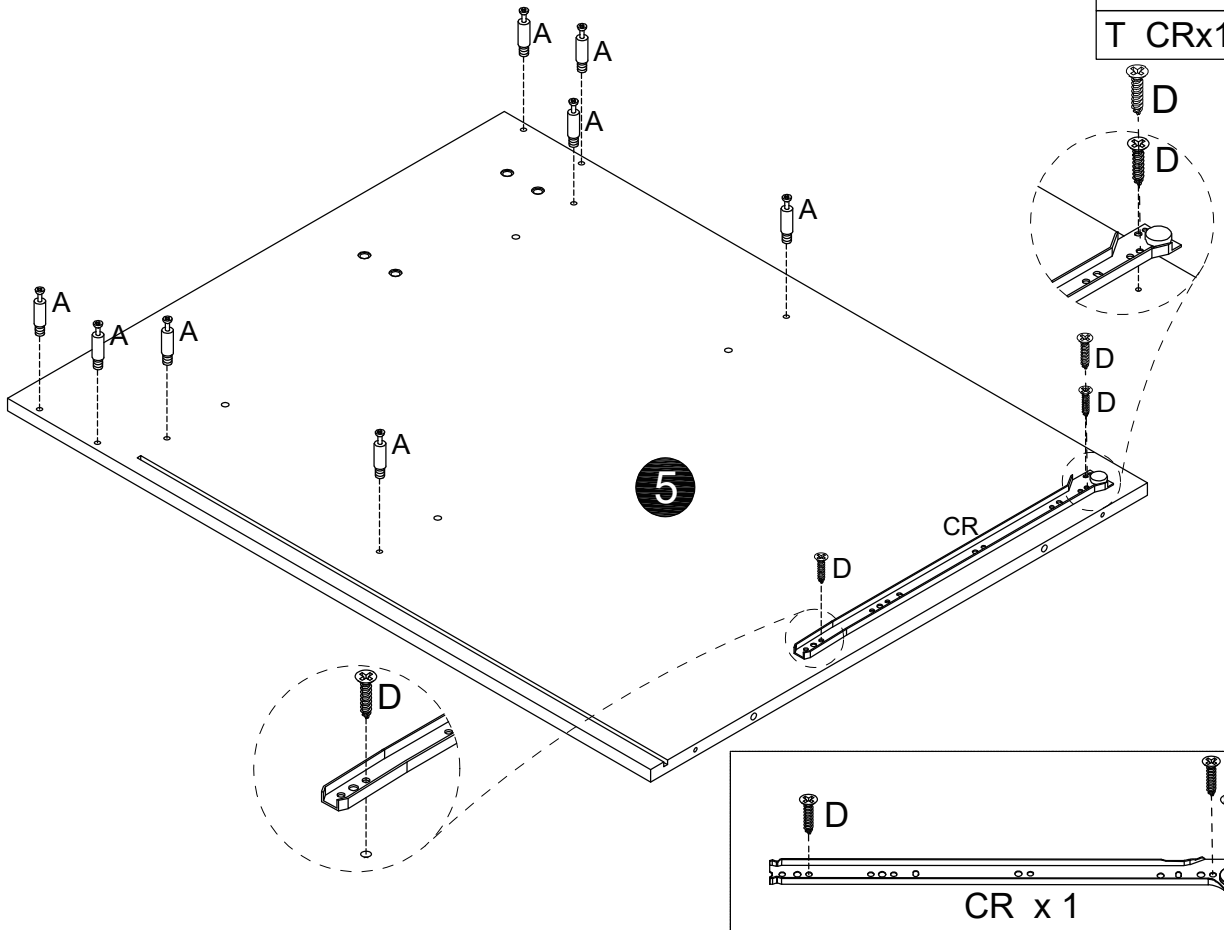


- Ax12
- Dx3
- TCLx1



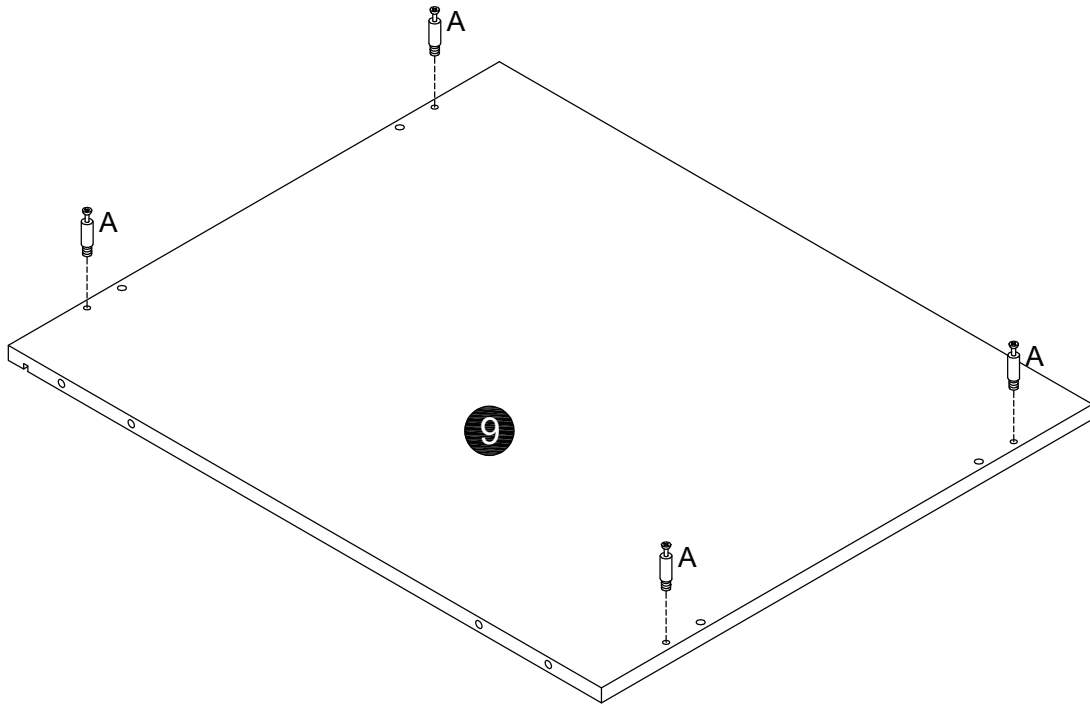
17

- Ax8 
- Dx3 
- T CRx1 





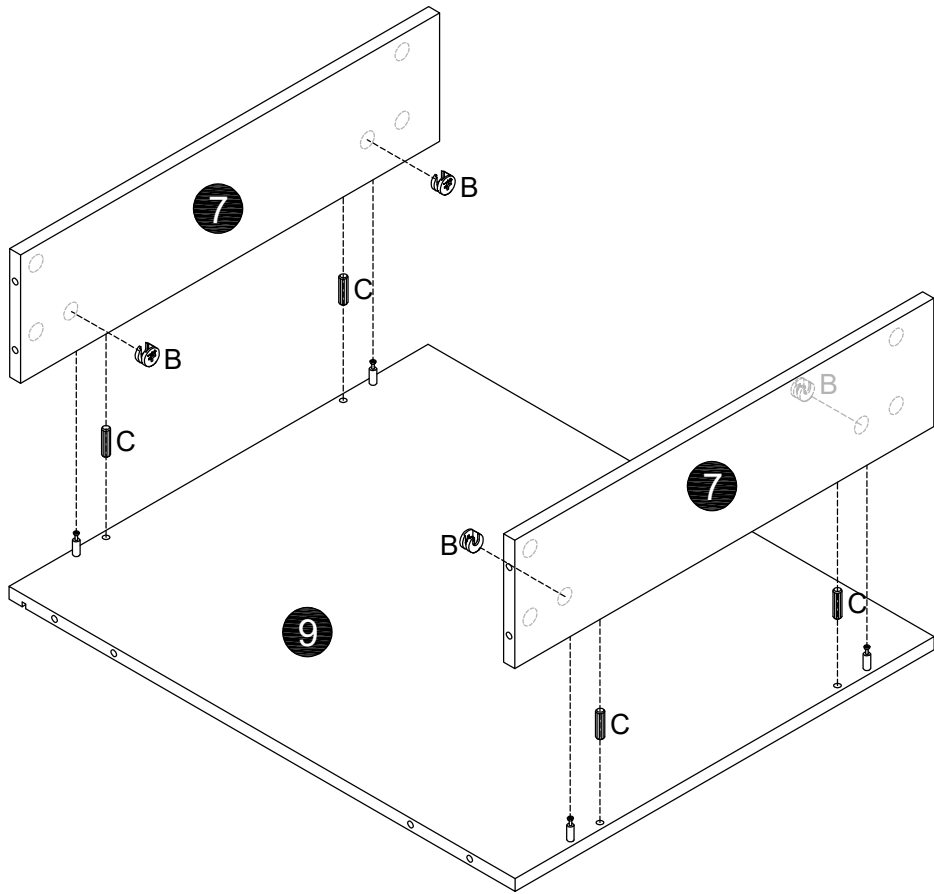
18

- Ax4 





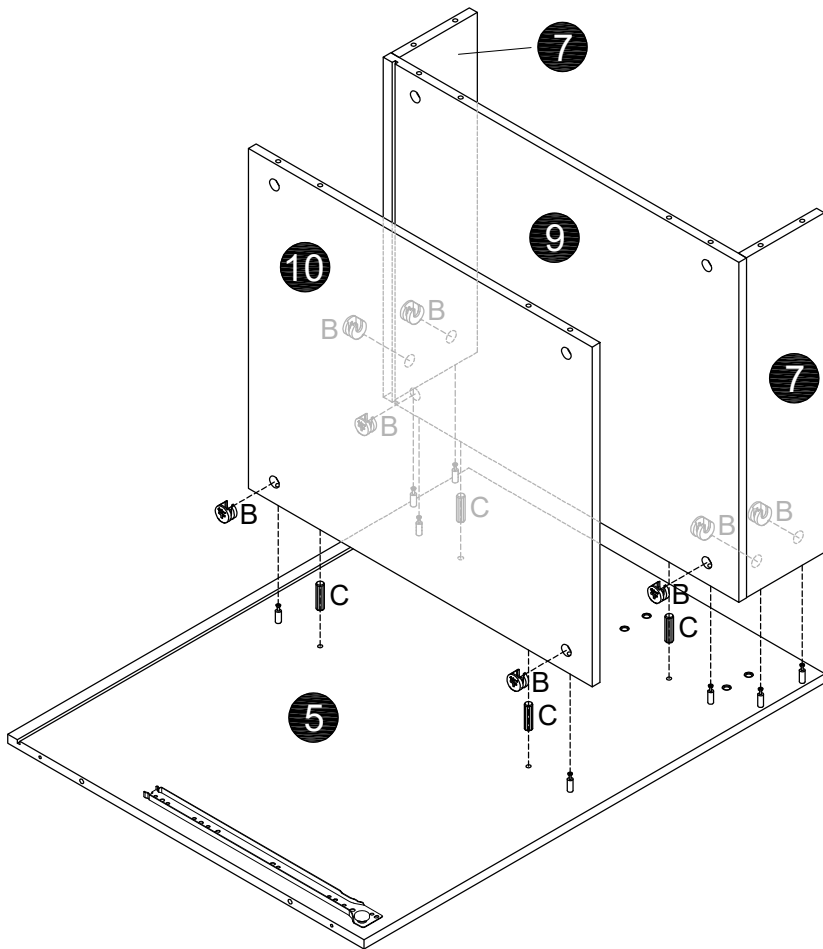
19

Bx4 
Cx4 





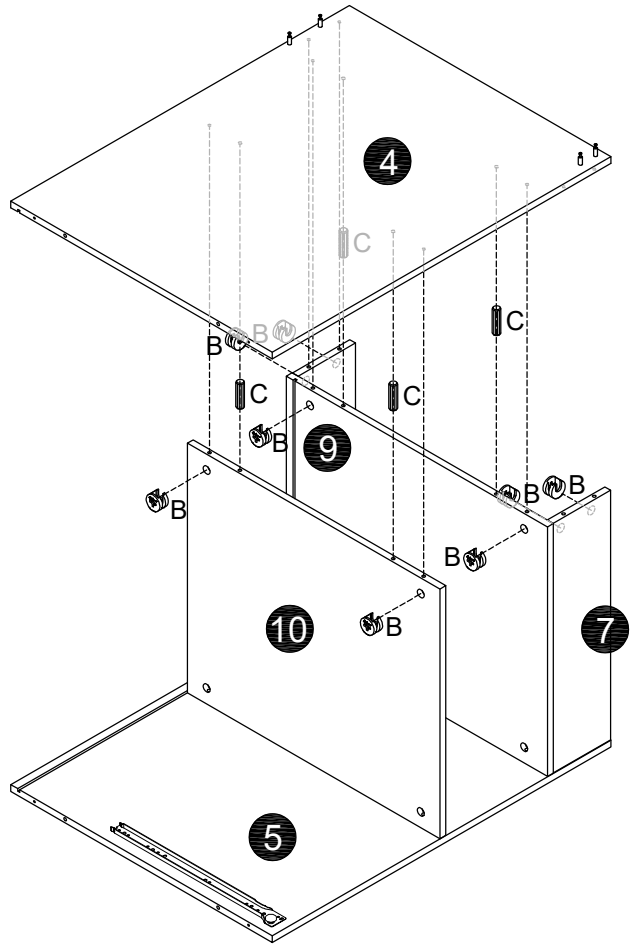
20

Bx8 
Cx4 

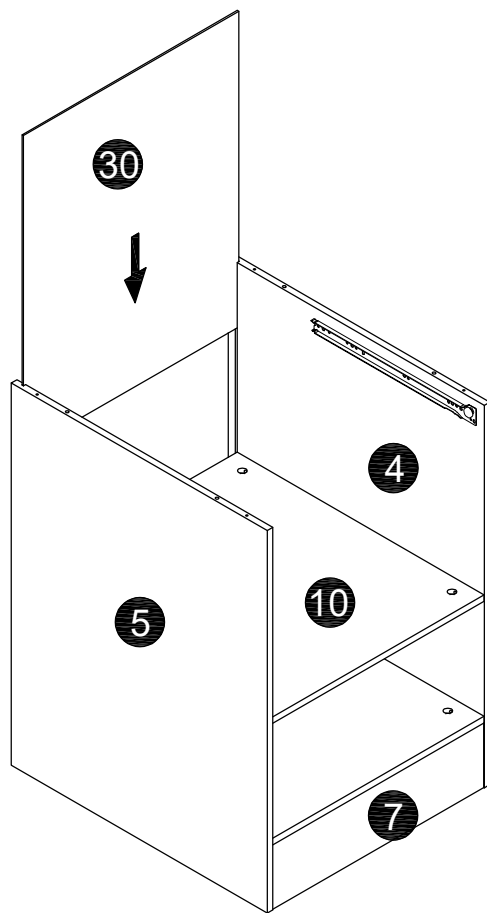


21



Bx8 
Cx4 

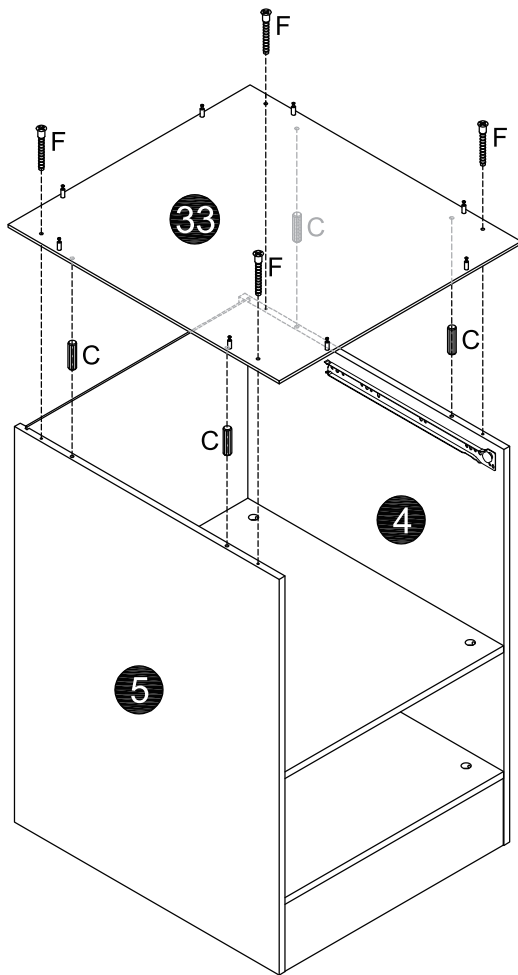


22




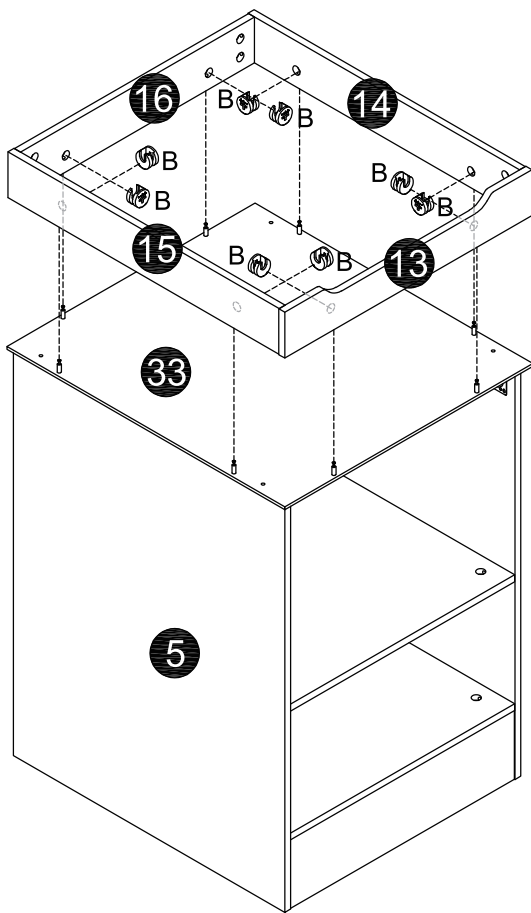
23

Cx4	
Fx4	



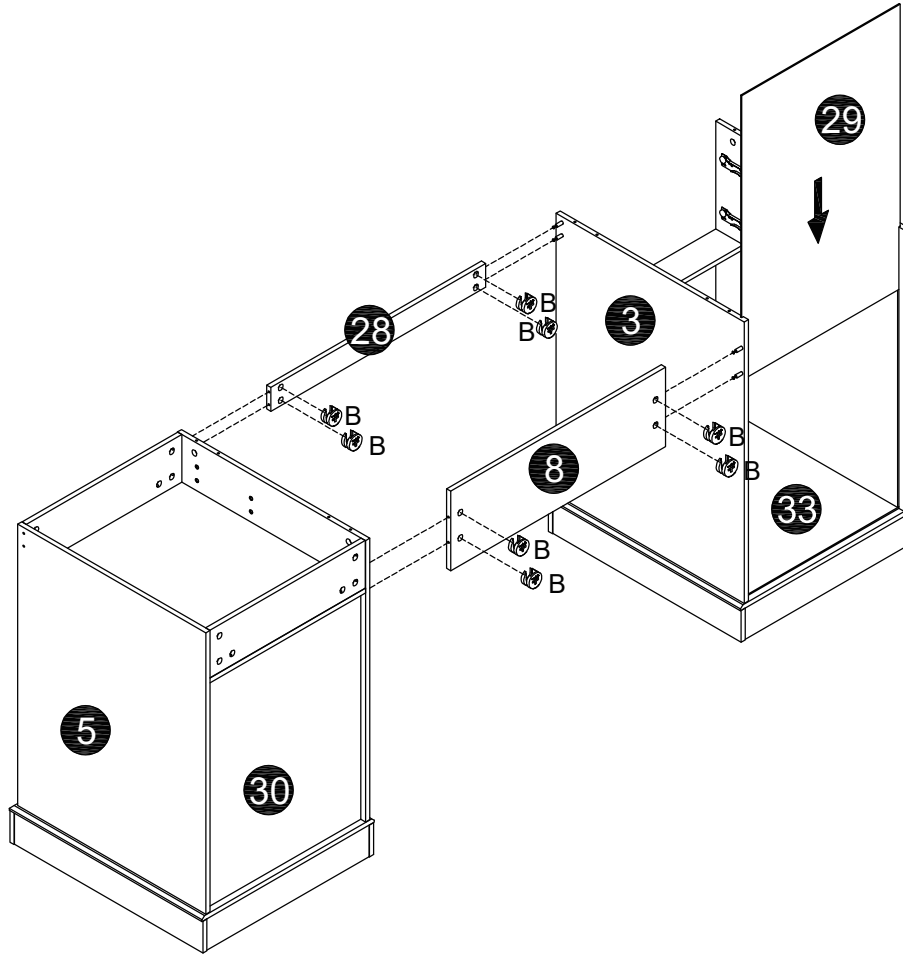
24

Bx8	
-----	---



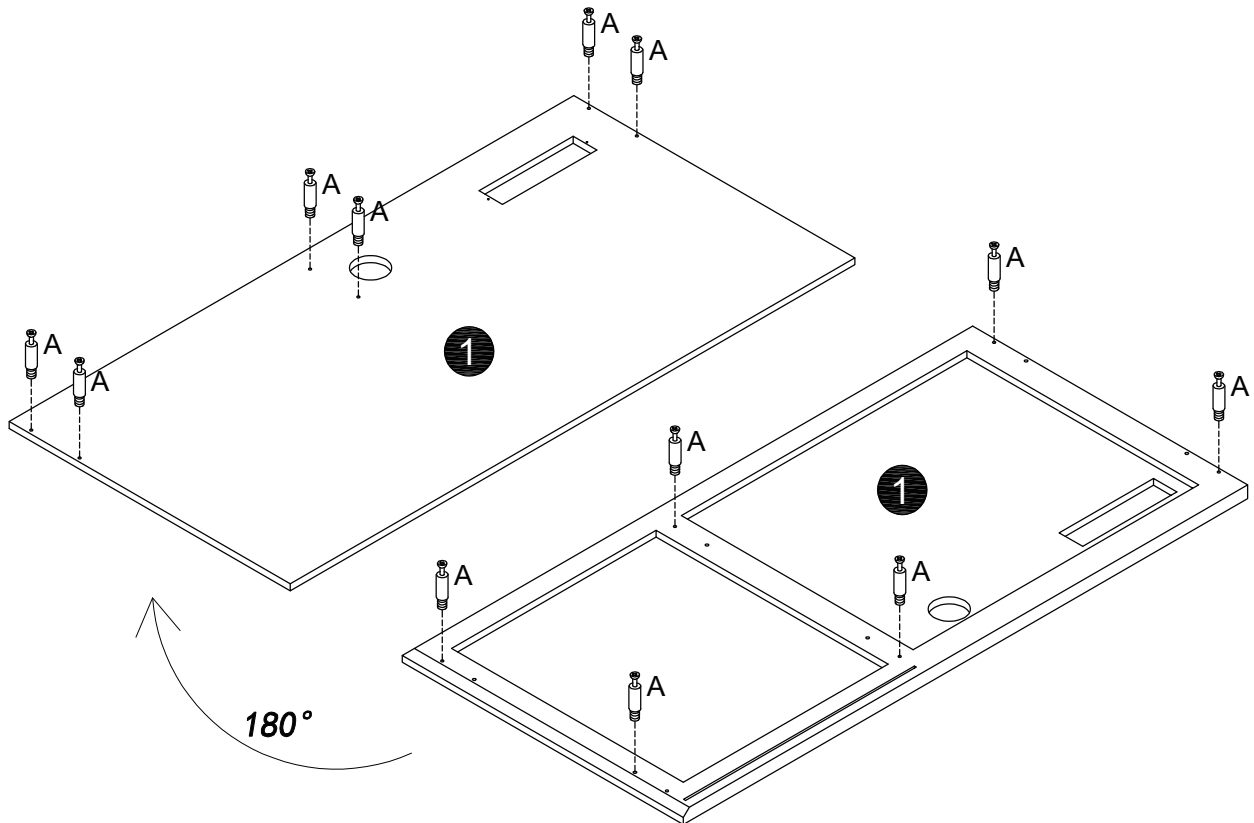
25

Bx8





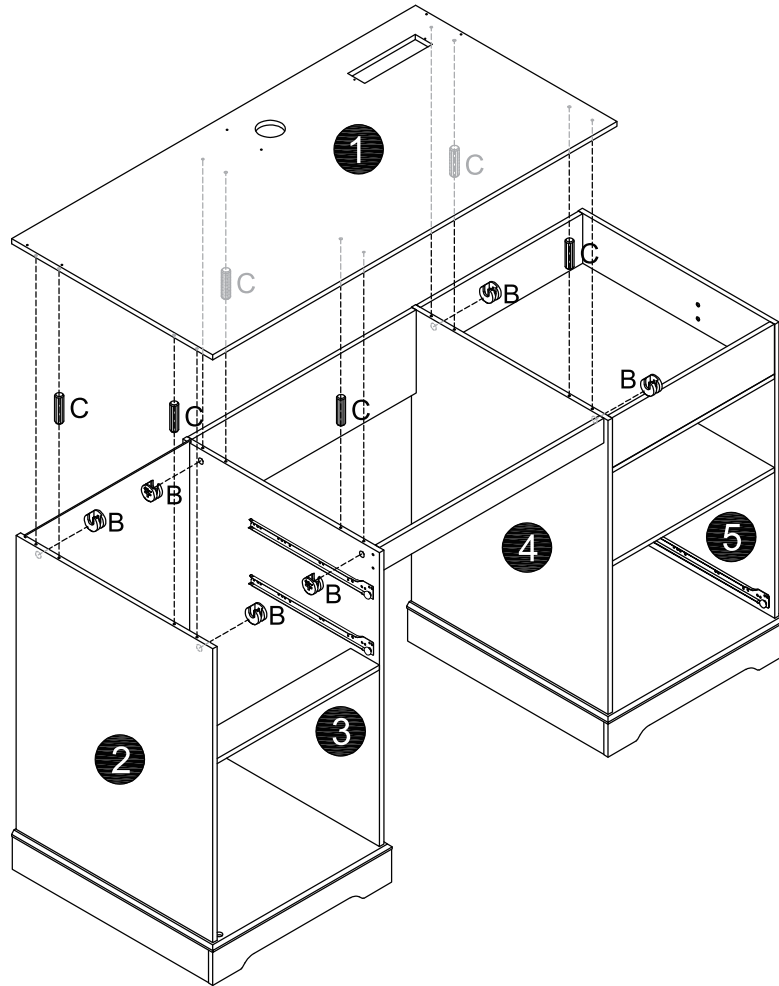
26

Ax12






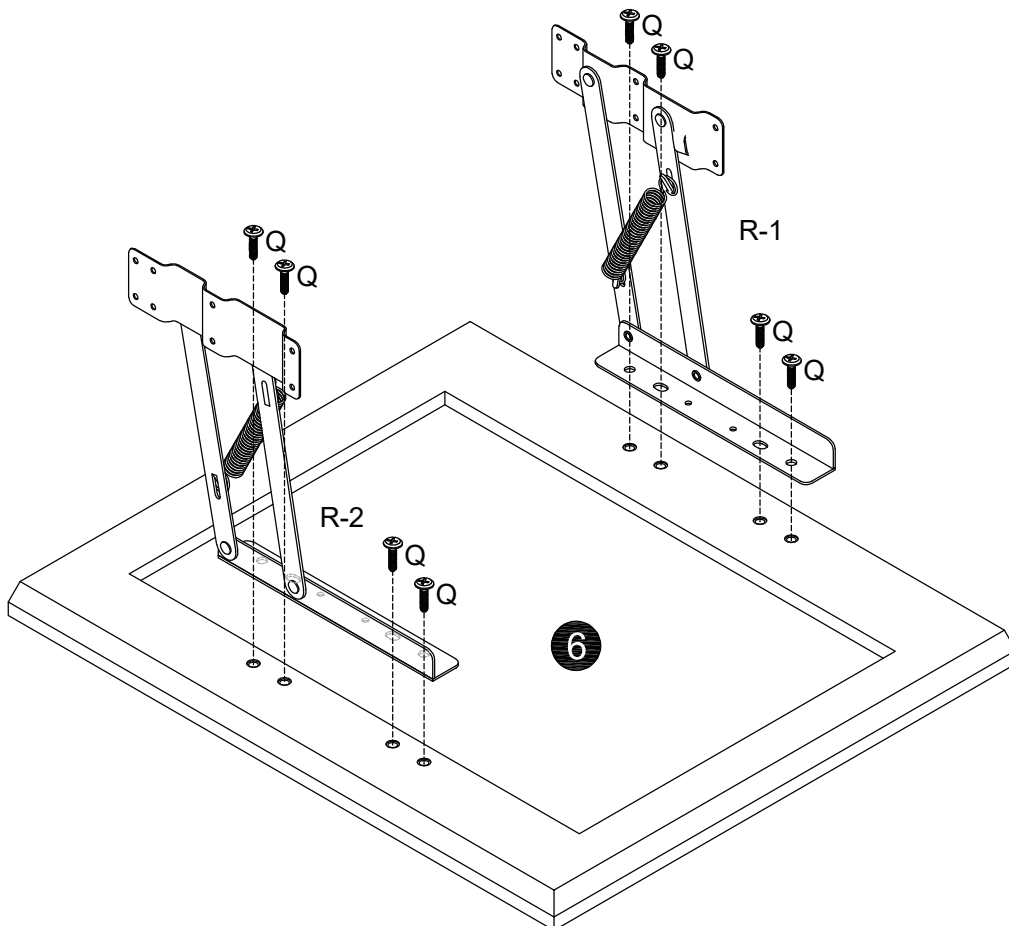
27

Bx6 
Cx6 



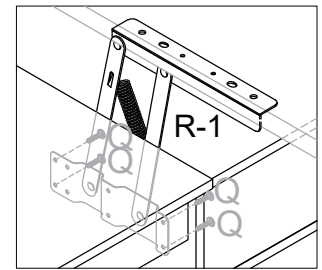
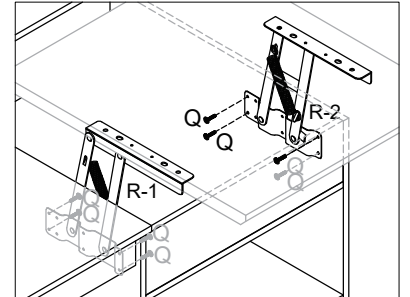
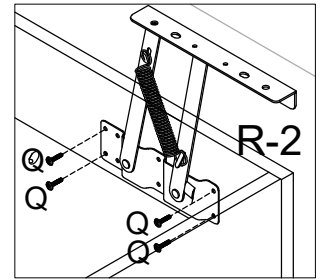
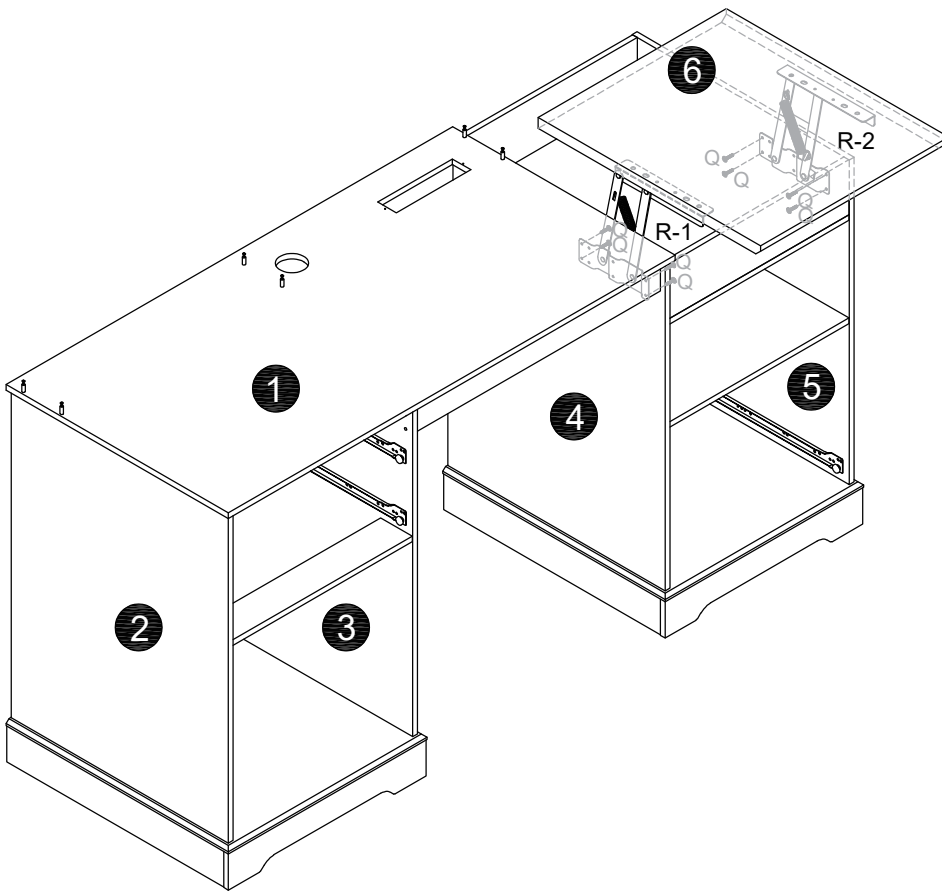
28

Qx8 
Rx1  



29

Qx8



30

Gx2



Hx10



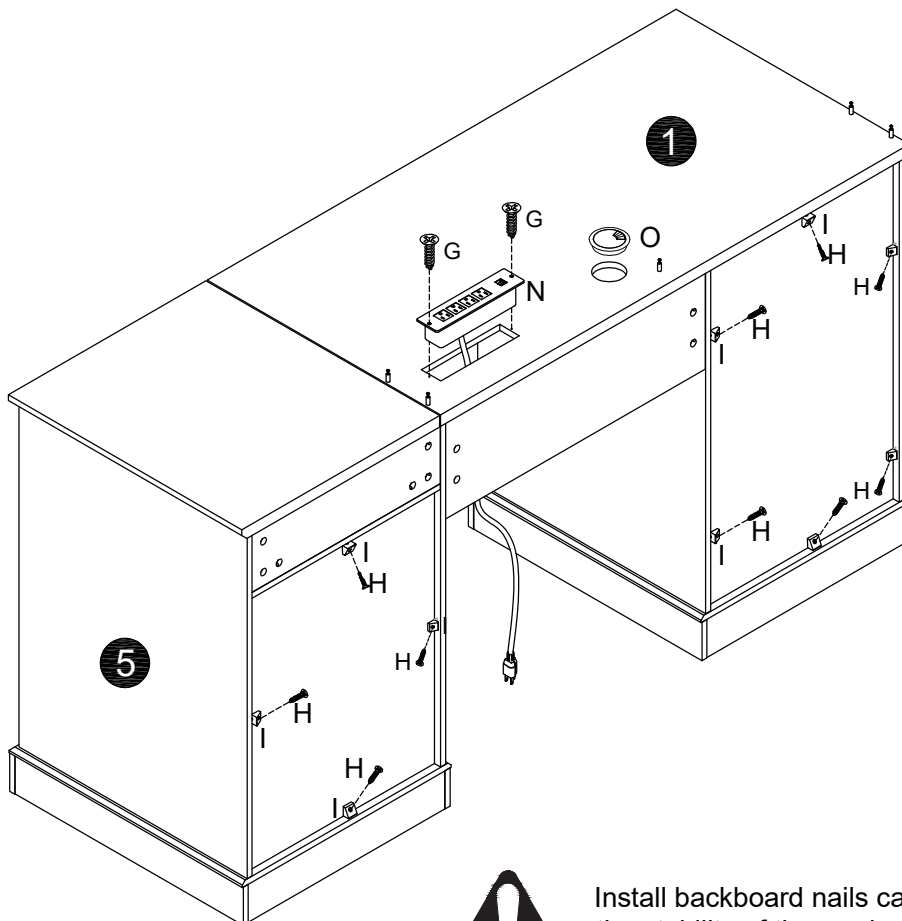
Ix10



Nx1



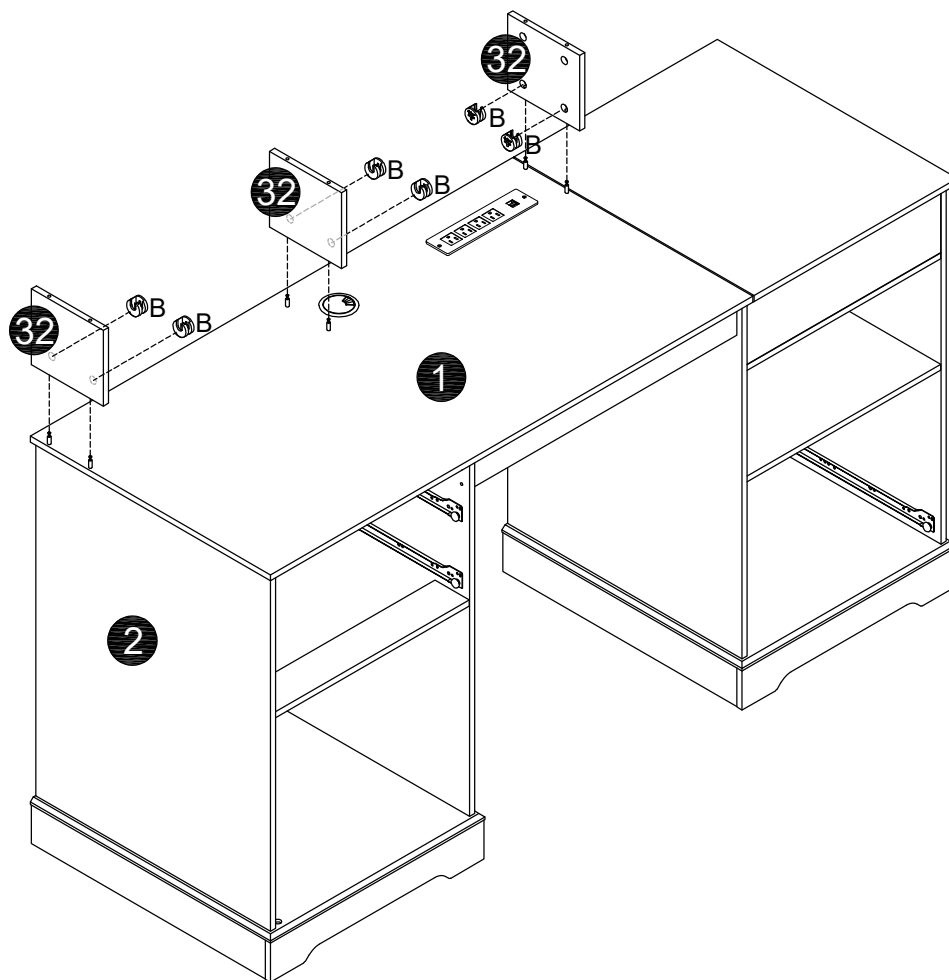
Ox1



Install backboard nails can effectively enhance the stability of the product and extend the life span of the product.

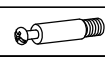
31

Bx6

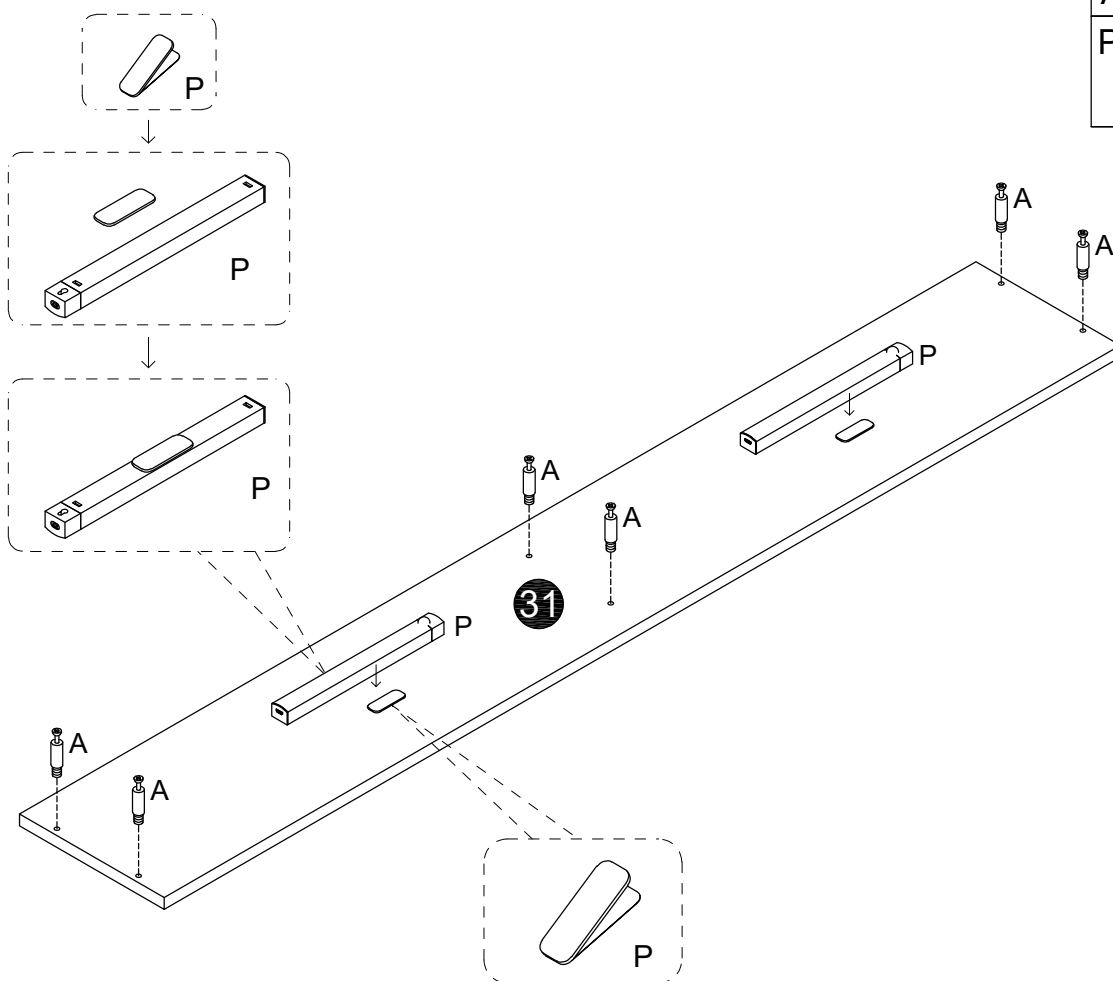
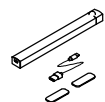


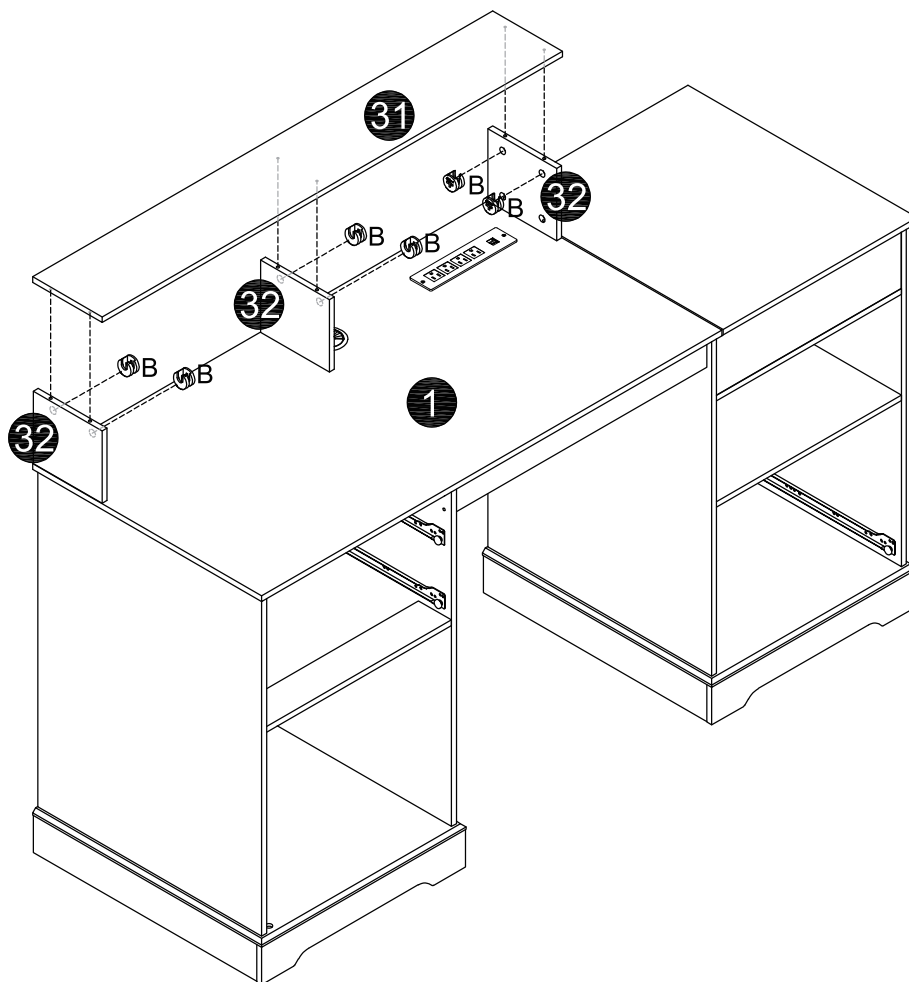
32

Ax6

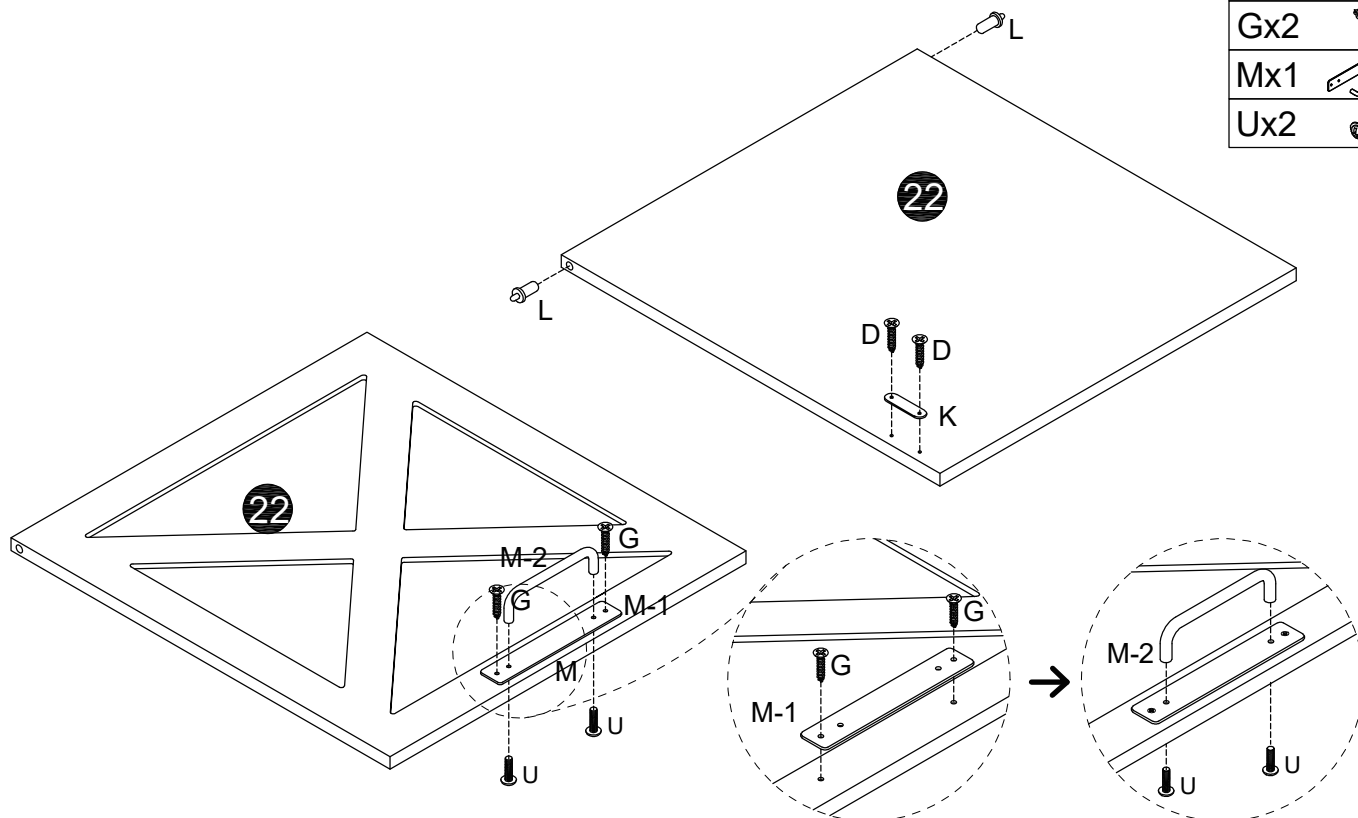


Px2

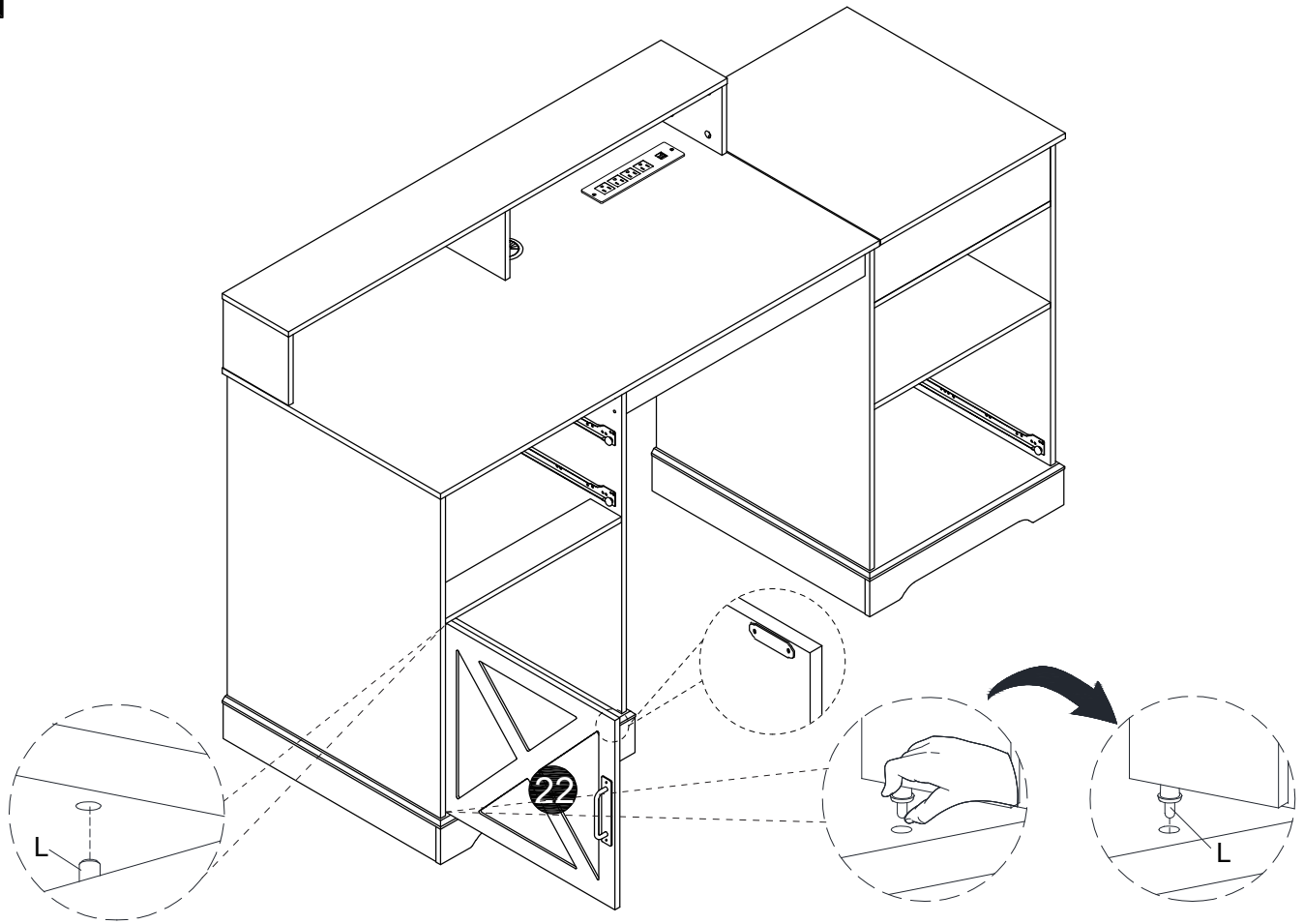




Dx2	
Kx1	
Lx2	
Gx2	
Mx1	
Ux2	

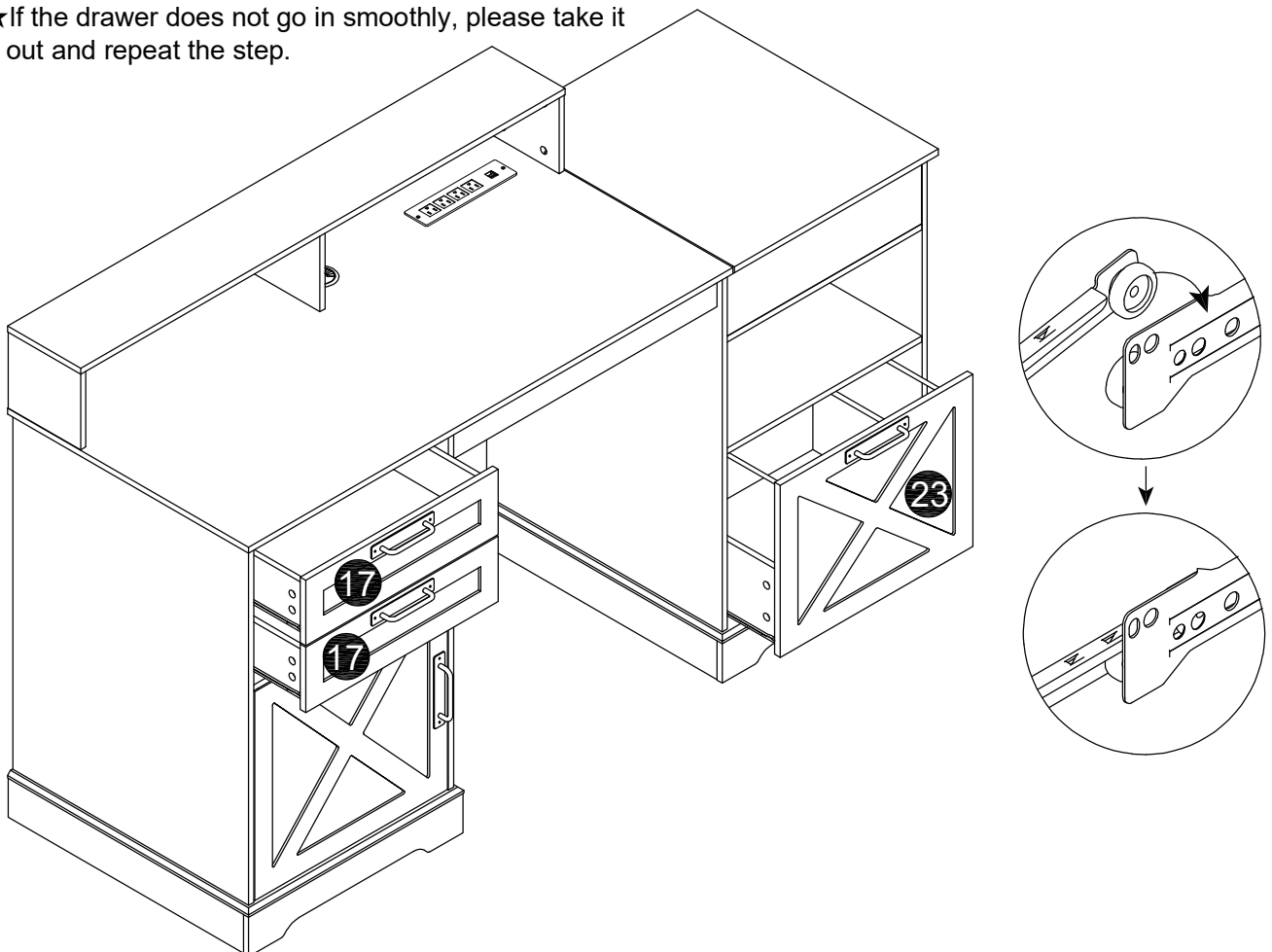


35



36

- ★Attention: Align the slide runners on the drawer with the unit and push it carefully inside until it stops.
- ★If the drawer does not go in smoothly, please take it out and repeat the step.



Follow our media account to get Discounts and More New Arrivals!



Model : JFLDNZ2501
Shandong Janfly Home Collection Co.,Ltd.
ADD: No. 66, Laotawan Village, Louzhuang Town,
Cao County, Heze City, Shandong Province, China

Customer Service Emails
US@JANFLY.COM
EU@JANFLY.COM

Made in China

Model : JFLDNZ2501
Shandong Janfly Home Collection Co.,Ltd.
ADD: No. 66, Laotawan Village, Louzhuang Town,
Cao County, Heze City, Shandong Province, China

Customer Service Emails
US@JANFLY.COM
EU@JANFLY.COM

