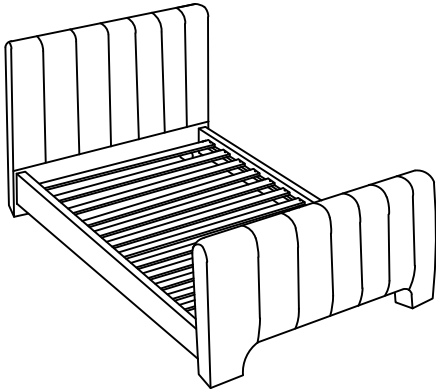


ASSEMBLY INSTRUCTION

Bed- T



**+ Do Not Use
Power Tools**



**+Suggested
Adults**



NOTE:

- 1 Read instructions cover to cover.
- 2 Save all packaging until assembly is completed.

1 IMPORTANT SAFETY INFORMATION

Do not assemble the product if any of the following parts arrived damaged:

- Part#1 -Headboard
- Part#2 -Footboard
- Part#3 -Wood strip for Side rail
- Part#4 -Slats
- Part#5 -Side rail

Do not assemble it if any of the following Hardware parts are missing:

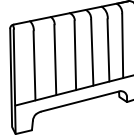
- Part#B,E, -Bolt Part#D, -Lock washer
- Part#A, -Allen Key Part#G -Metal bracket
- Part#C,H -Flat washer Part#F -screw

2 IMPORTANT SAFETY INFORMATION

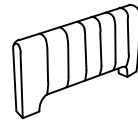
Assembly Step if loosening persists, please make sure to tighten all the bolts periodically, or use a thread locker adhesive.

+Parts Included

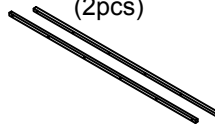
① Headboard
(1pc)



② Footboard
(1pc)



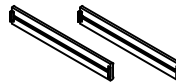
③ Wood strip for
Side rail
(2pcs)



④ Slats
(13pcs)



⑤ Side rail
(2pcs)



+Hardware Included

A Ø1/4"
(1pc)



B Ø5/16"*1"
(16pcs)



C Ø5/16"
(16pcs)



D Ø5/16"
(28pcs)



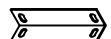
E Ø1/4" *2 3/8"
(12pcs)



F #8*30mm
(26pcs)



G Metal bracket
(4pcs)

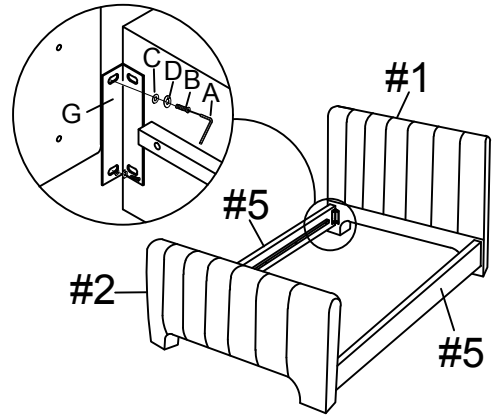


H Ø1/4"
(12pcs)

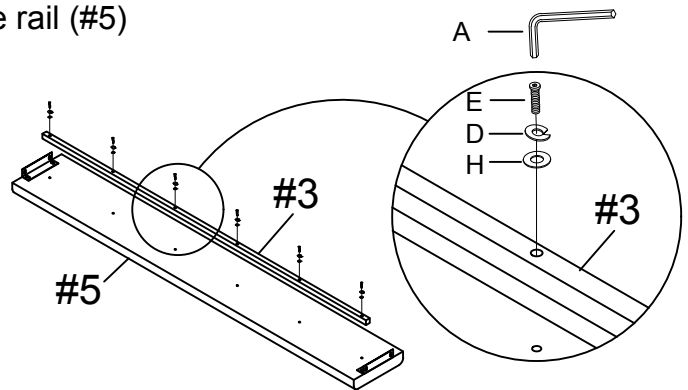


ASSEMBLY INSTRUCTION

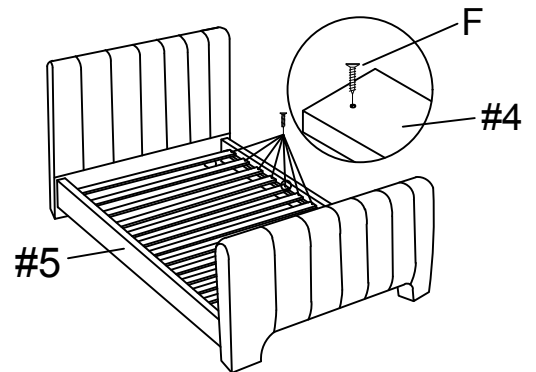
- 1 Step 1. Attach Metal Bracket (G) to side rail (#5), Headboard (#1) and Footboard (#2) with Bolt (B), Lock washer (D) and Flat washer (C) .Tighten with Allen Key (A).



- 2 Step 2. Attach Wood strip for Side rail (#3) to side rail (#5) with Bolt (B), Lock washer (D) and Flat washer (C) .Tighten with Allen Key (A).



- 3 Step 2. Attach Slats (#4) to Side rail (#5) by Screw (F).



- 4 Assembly Complete.

