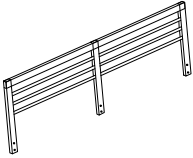
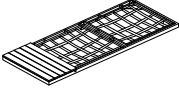
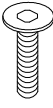
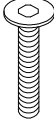
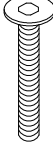
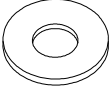
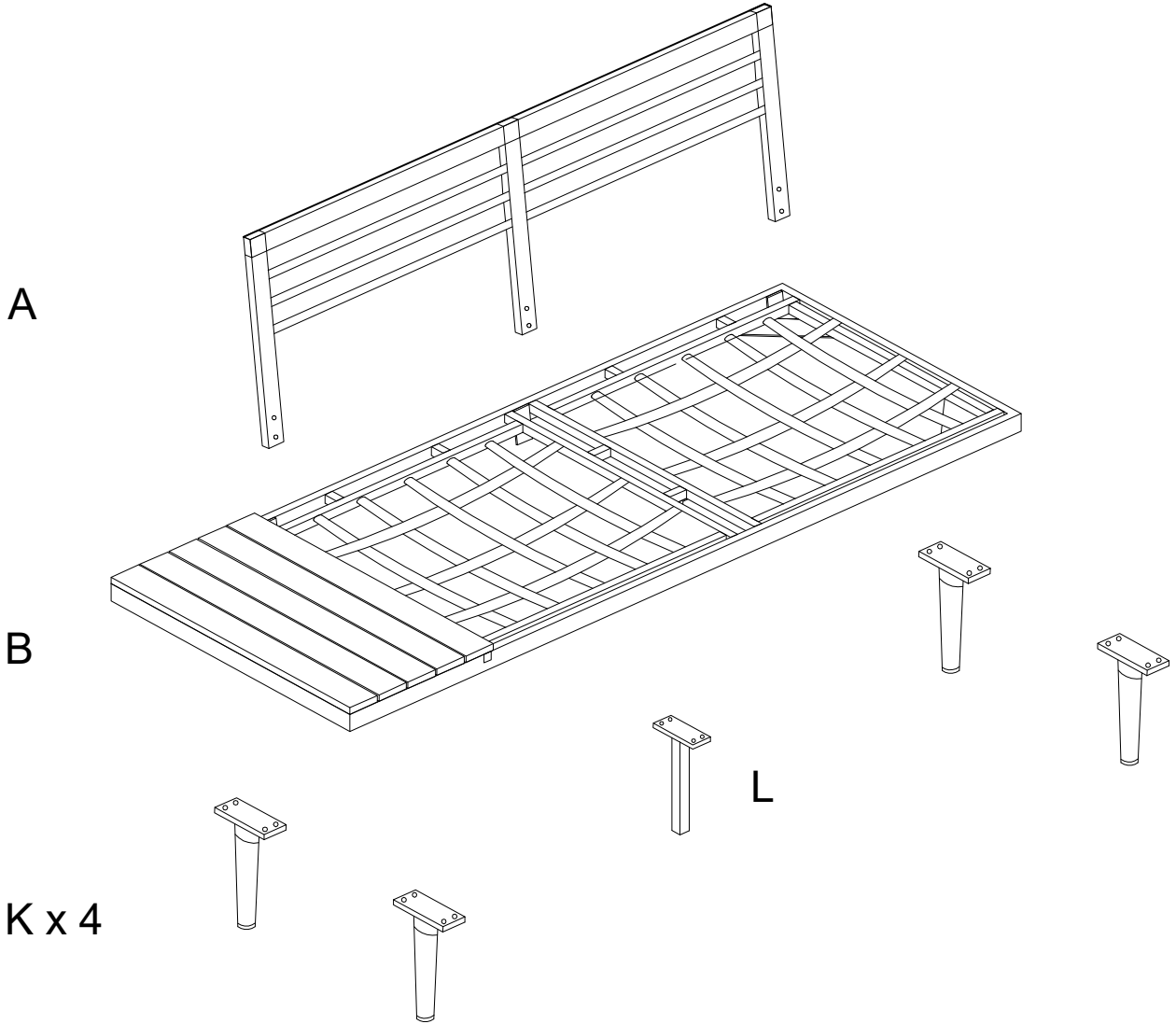


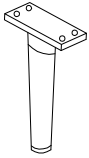
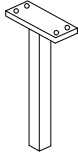
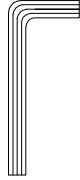
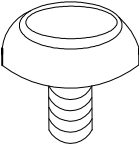
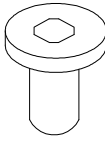
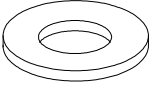
Diagram illustrating assembly instructions and safety warnings:

- Warning 1:** A warning triangle with an exclamation mark is shown next to a circular icon containing an L-shaped corner bracket and a crossed-out power drill icon, indicating that a power drill should not be used for this step.
- Warning 2:** A second warning triangle with an exclamation mark is shown next to a circular icon containing a rectangular block being placed on a slatted surface and a crossed-out icon of a block being lifted, indicating that the block should be placed on the slatted surface rather than lifted.
- Time:** A clock icon is shown next to the text "60'", indicating an estimated assembly time of 60 minutes.
- Personnel:** An icon of a person is shown next to the number "2", indicating that two people are required for assembly.

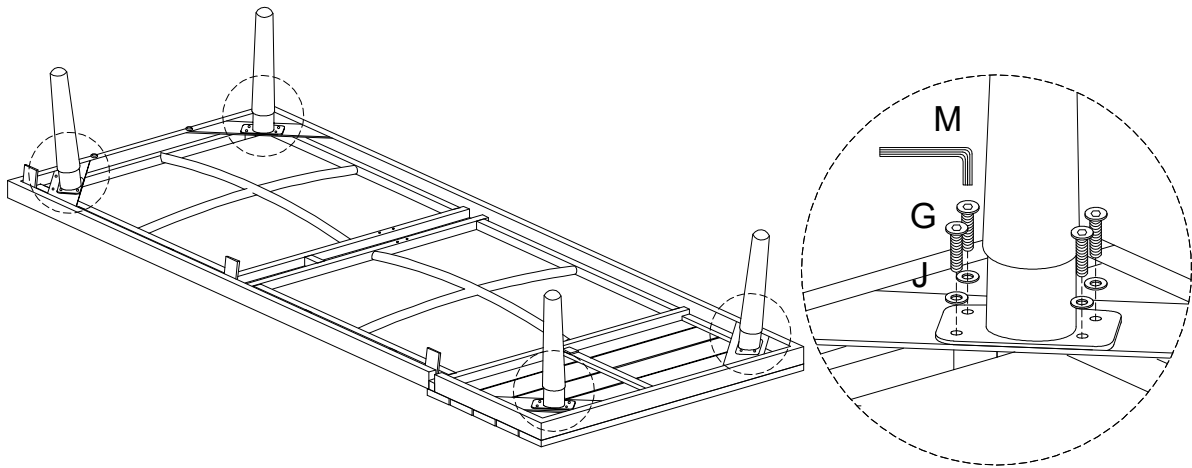
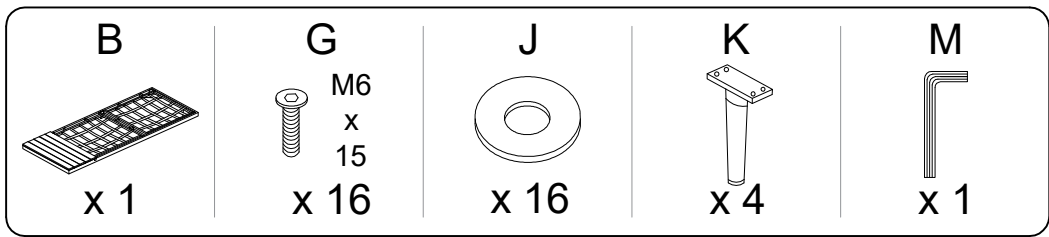
A

A	B	G	H	I	J
		 M6 x 15	 M6 x 20	 M6 x 50	
x 1	x 1	x 20	x 3	x 3	x 23

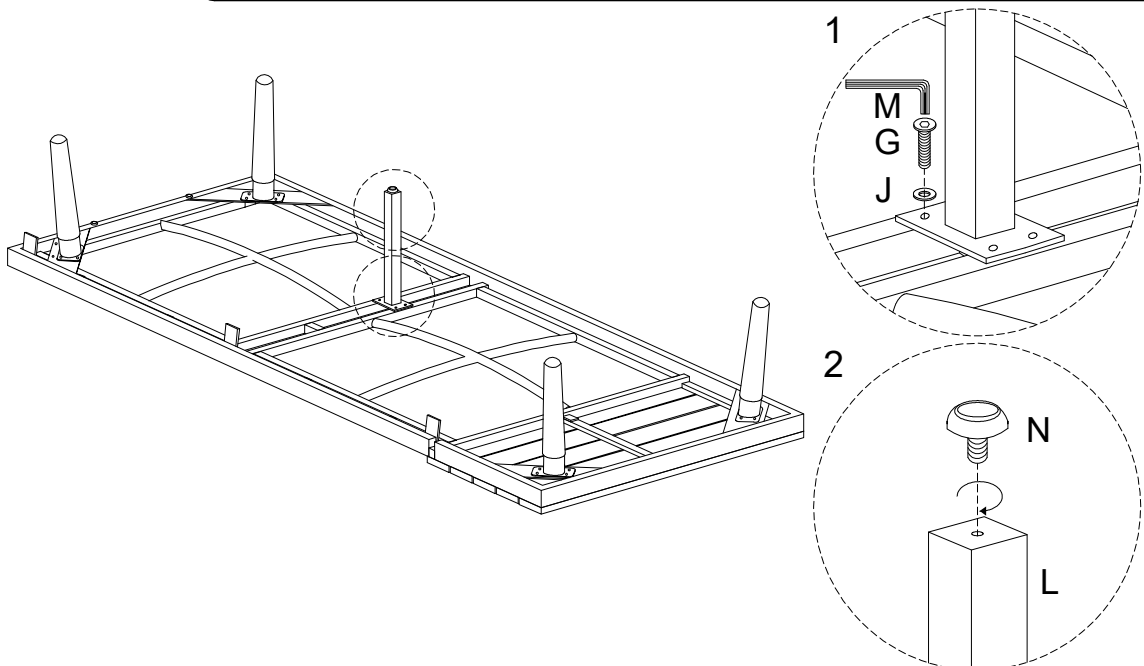
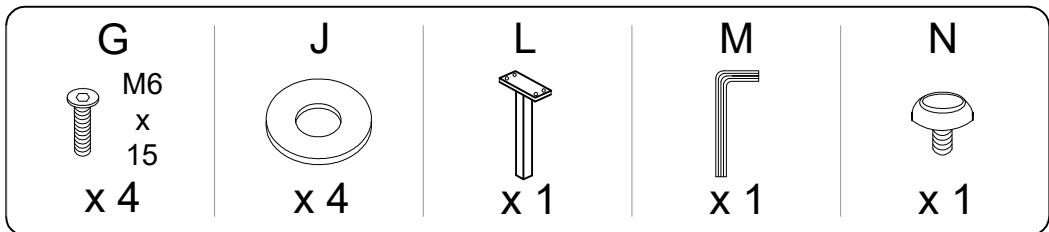


K	L	M	N	O	Q
					
x 4	x 1	x 2	x 1	x 3	x 3

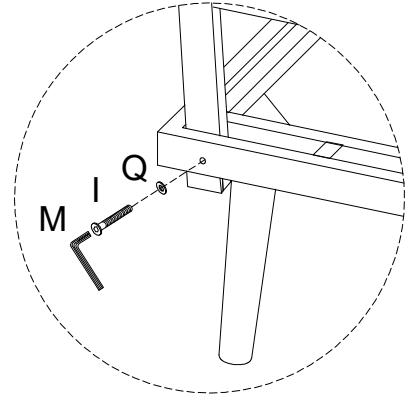
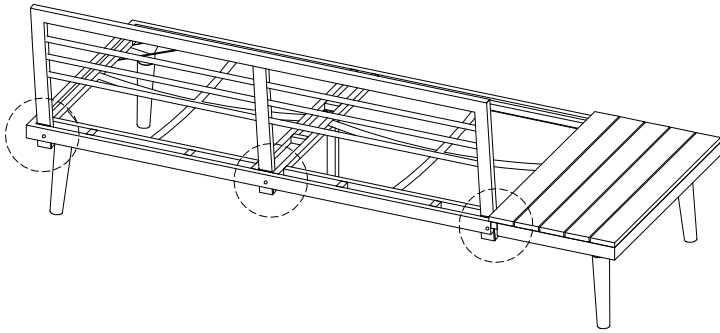
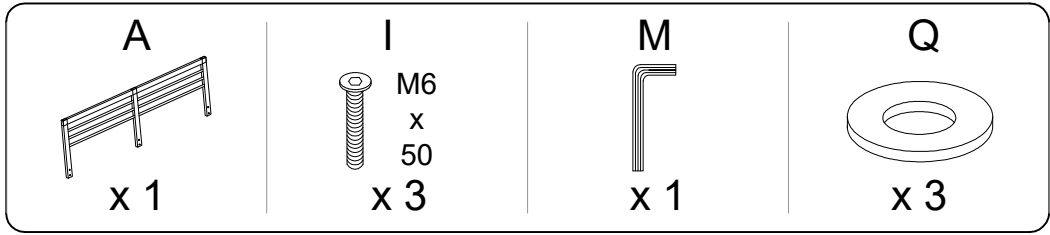
1



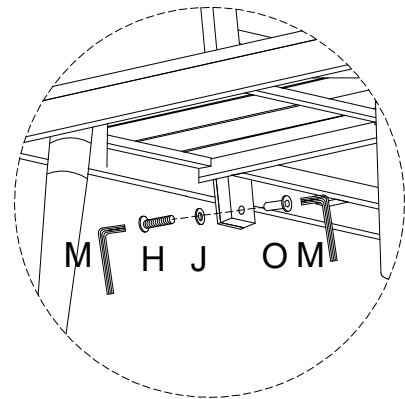
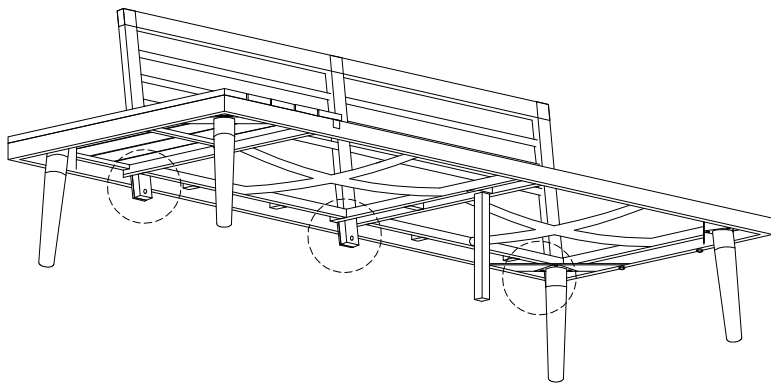
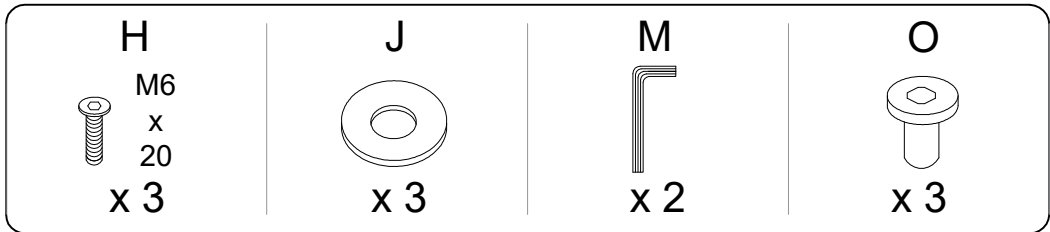
2



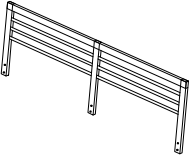
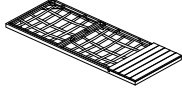
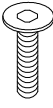
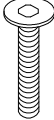
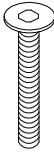
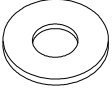
3

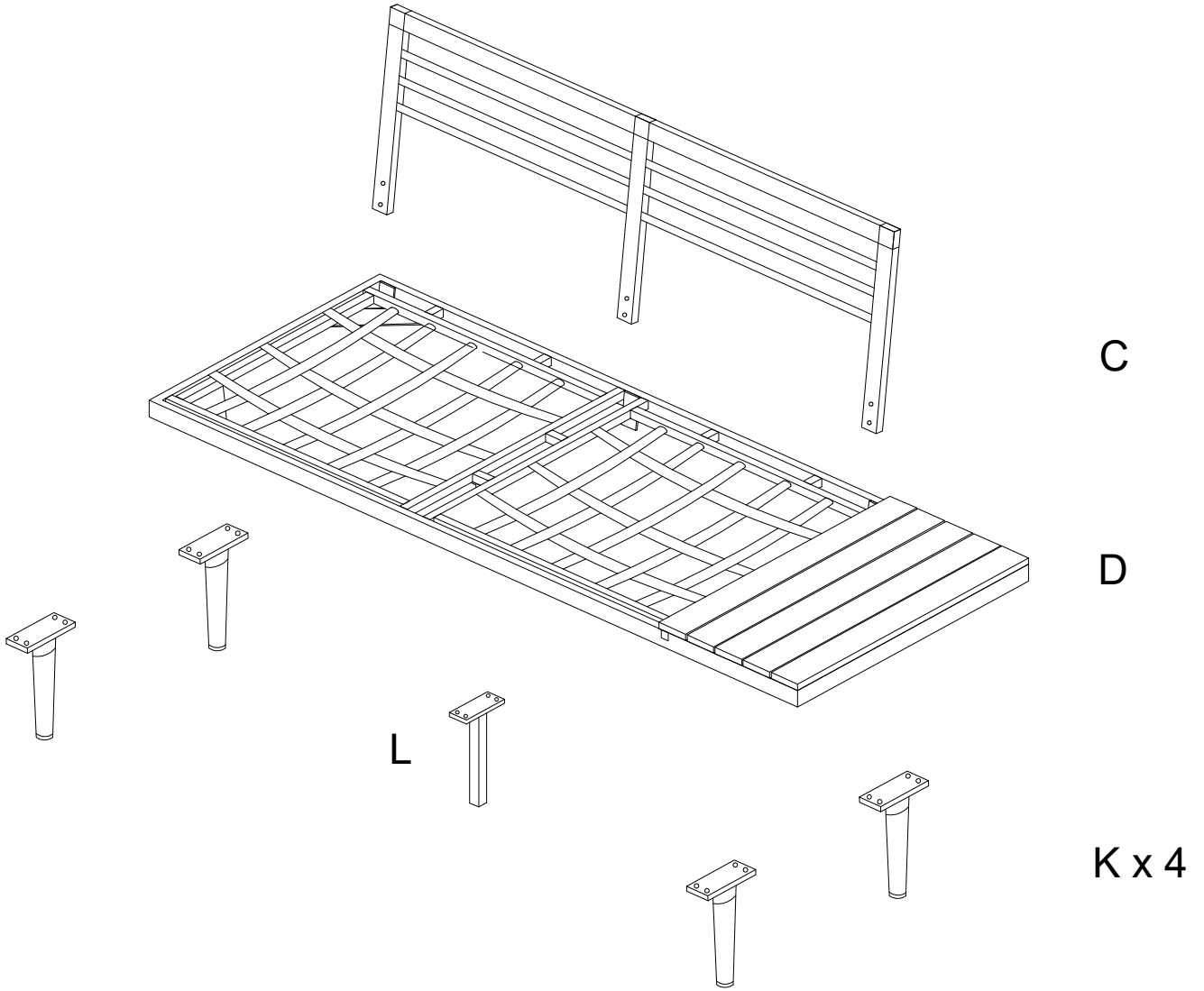


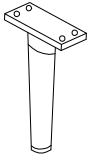
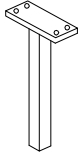
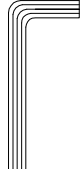
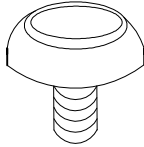
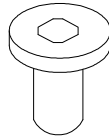
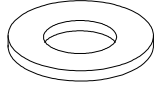
4



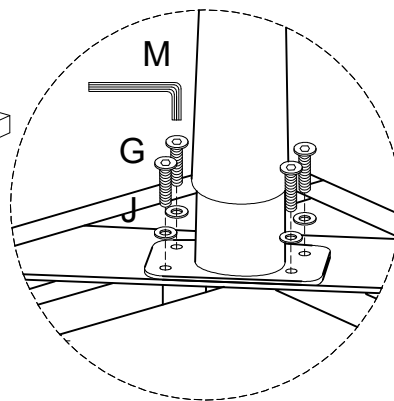
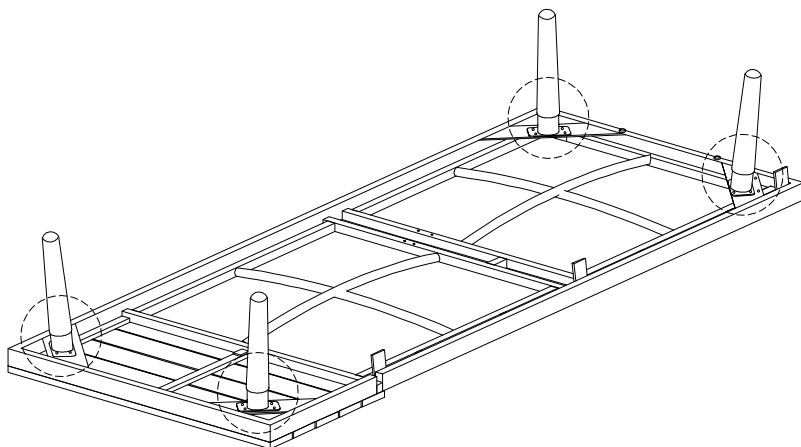
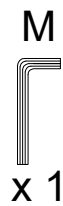
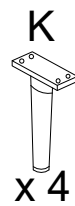
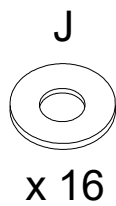
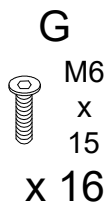
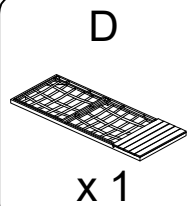
B

C	D	G	H	I	J
		 M6 x 15	 M6 x 20	 M6 x 50	
x 1	x 1	x 20	x 3	x 3	x 23

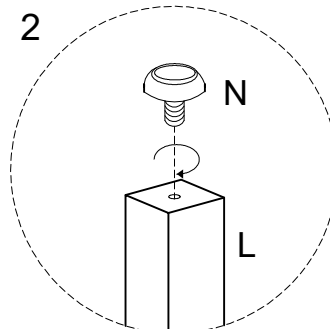
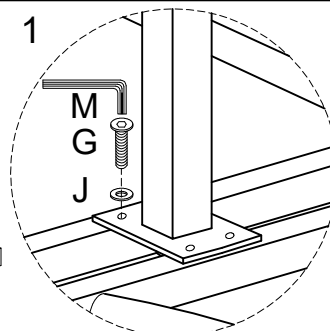
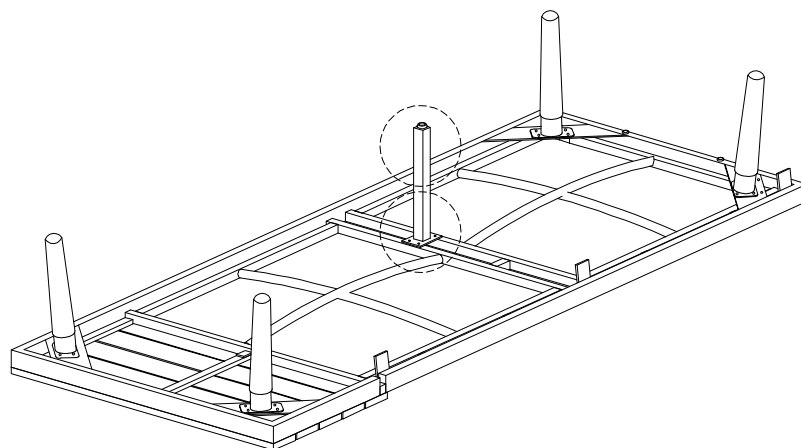
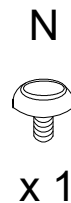
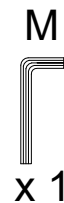
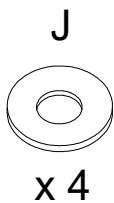
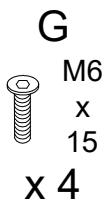


K	L	M	N	O	Q
					
x 4	x 1	x 2	x 1	x 3	x 3

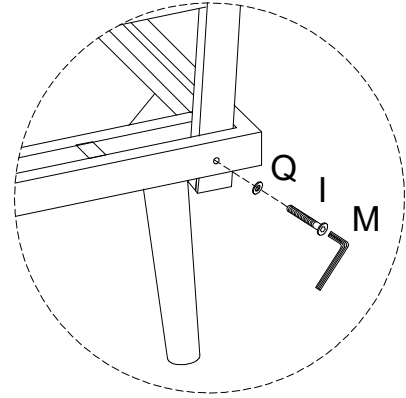
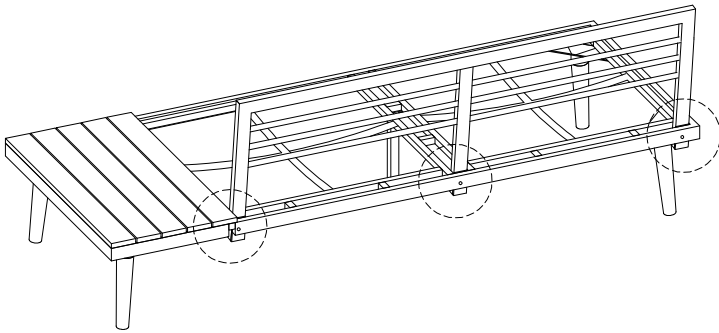
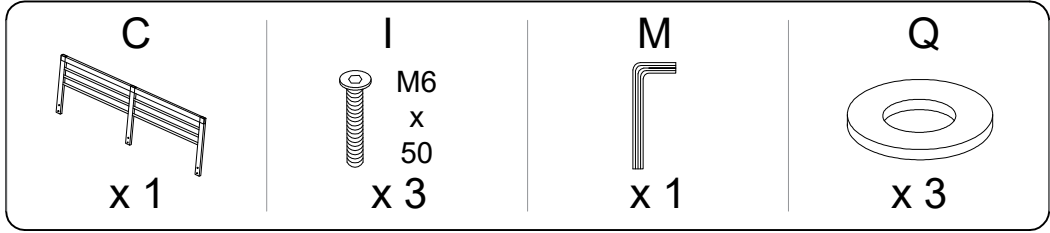
1



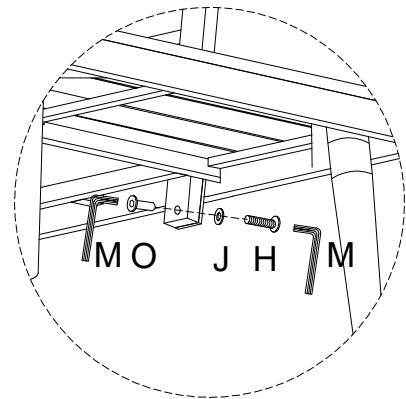
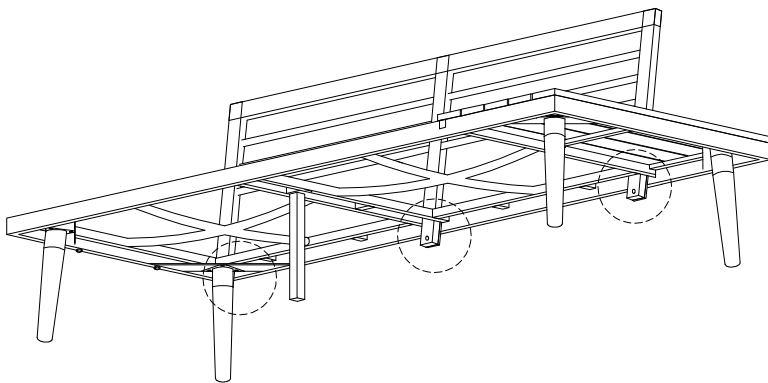
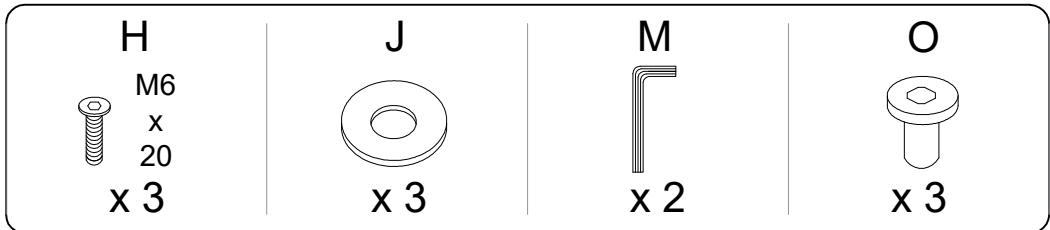
2



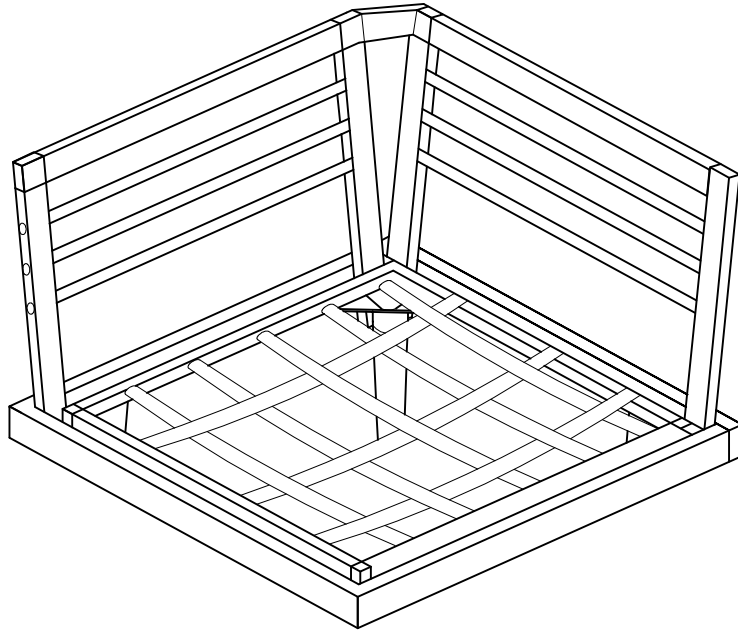
3



4

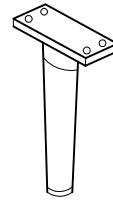
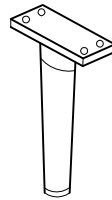
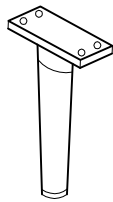
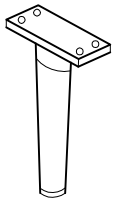


C

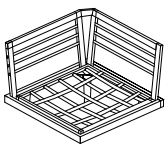


E

K x 4

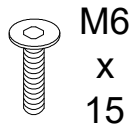


E



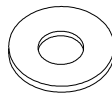
x 1

G



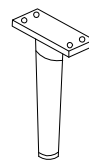
x 16

J



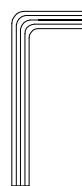
x 16

K



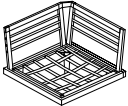

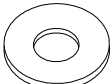
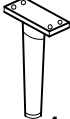

x 4

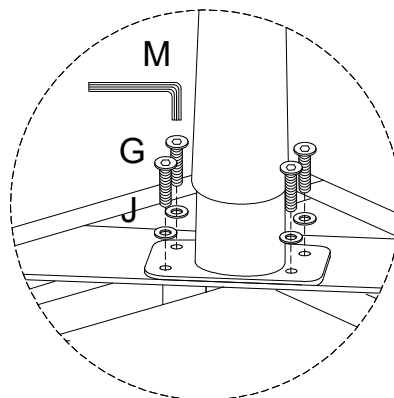
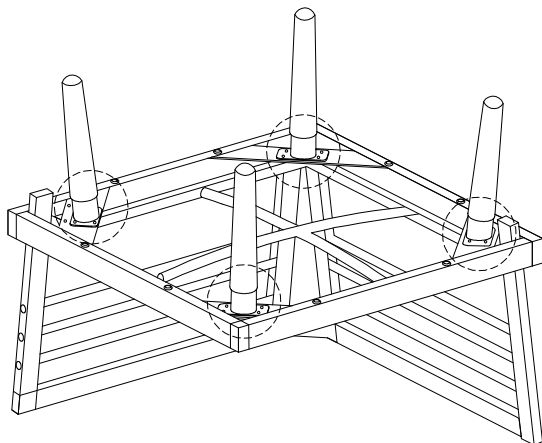
M



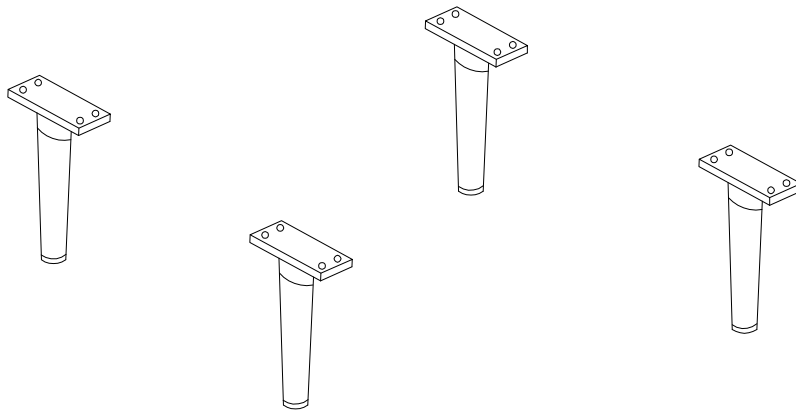
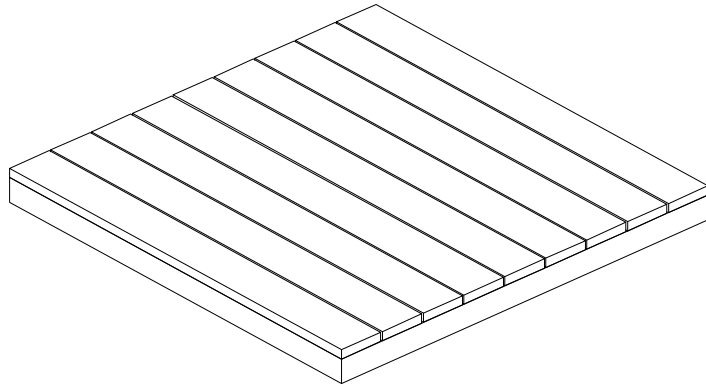
x 1

1

 <p>E x 1</p>	 <p>G M6 x 15 x 16</p>	 <p>J x 16</p>	 <p>K x 4</p>	 <p>M x 1</p>
---	--	--	---	---

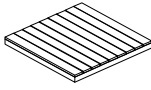

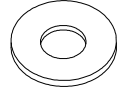
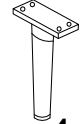



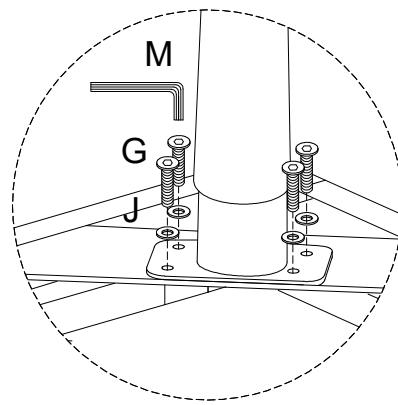
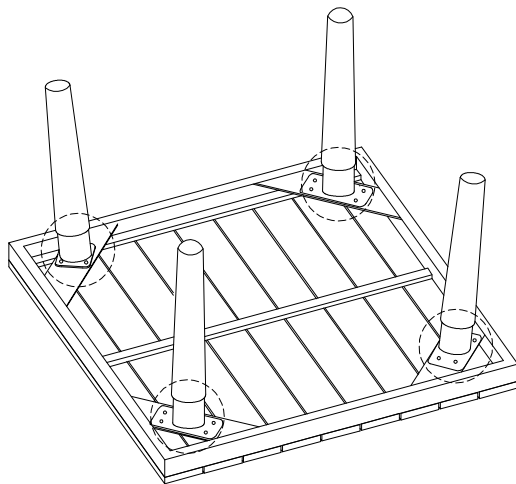
D

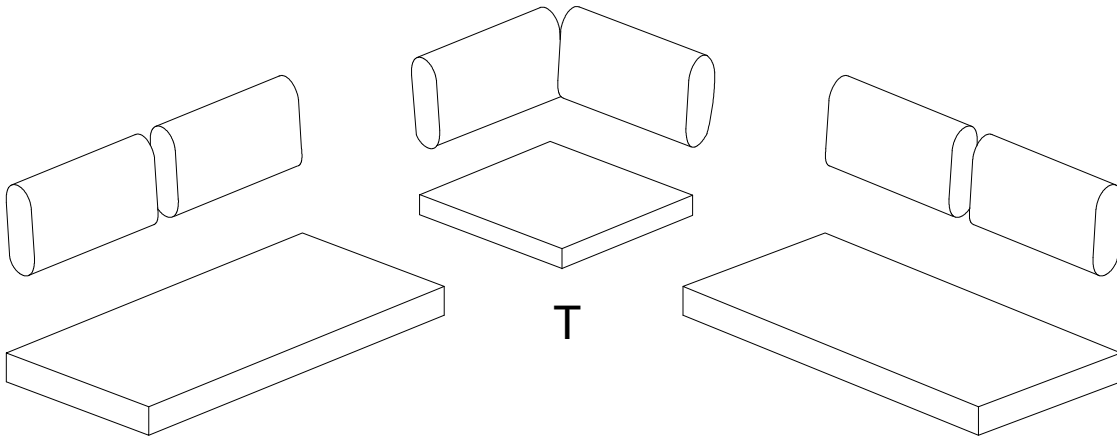


F	G	J	K	M
	<p>M6 x 15</p>			
x 1	x 16	x 16	x 4	x 1

1

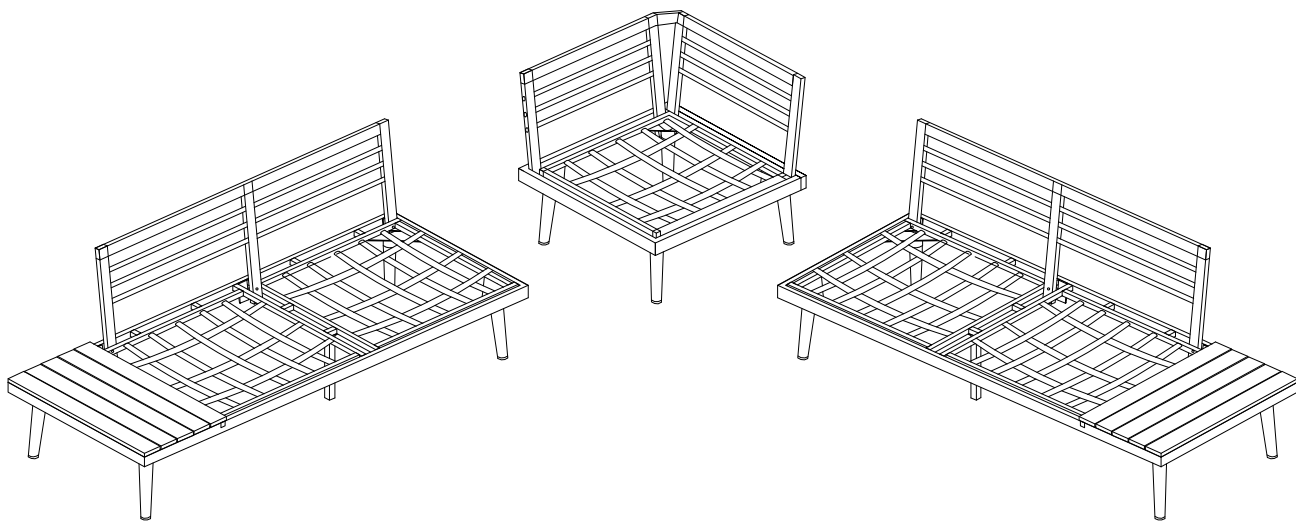
F  x 1	G  M6 x 15 x 16	J  x 16	K  x 4	M  x 1
--	---	---	--	--


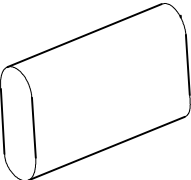
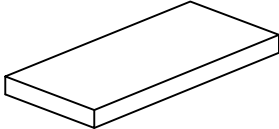
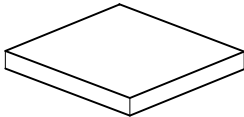




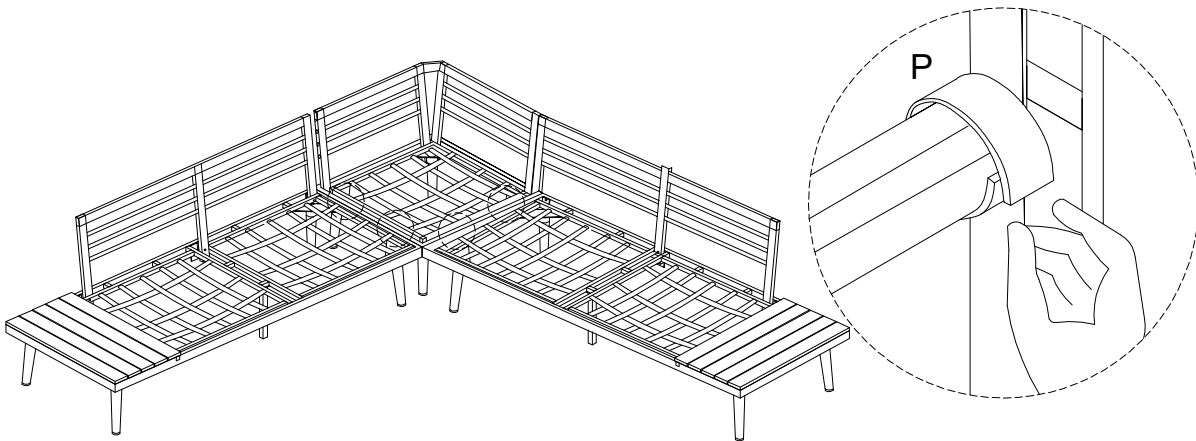
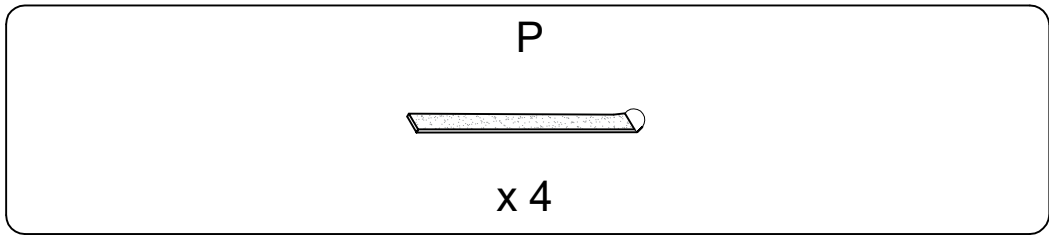
R x 6

S x 2



P	R	S	T
			
x 4	x 6	x 2	x 1

1



2

