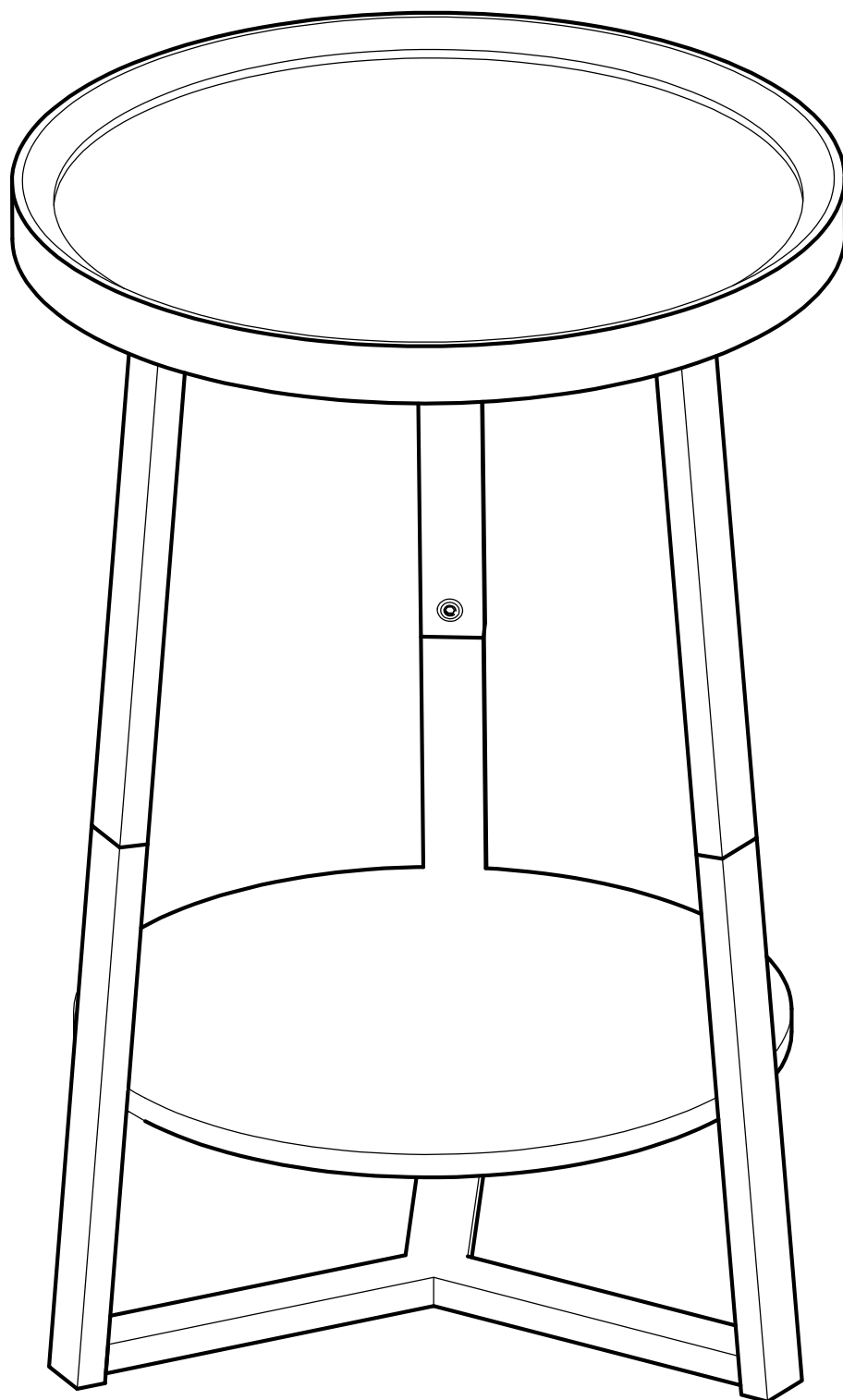


Side table

ASSEMBLY INSTRUCTIONS



General Guidelines

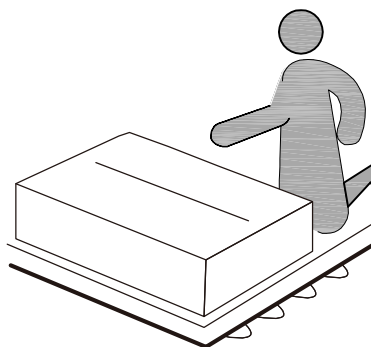
- * Please read the following instruction carefully and use the product accordingly.
- * Please keep this manual and hand it over when you transfer the product.
- * This summary may not include every detail of all variations and considered steps. Please contact us when further information and help are needed.

Notes

- * The product is intended for indoor use only. The product must be assembled and used in accordance with the provisions of the manual. Personal injury and/or damage to product may occur if products are used outside of their intended purposes and/or if products have been changed/modified from their original design. The seller does not assume any responsibility or liability with respect to any injury/damage caused by incorrect assembly or improper use.
- * If there are any defective or missing parts after unpacking, please cease assembly immediately and contact us.
- * Please wear gloves during the assembly and/or disassembly process to avoid scratches from any sharp edges..
- * Please place this item on level, solid ground during use.
- * Avoid long-term exposure to humid environments to prevent mildew.
- * Keep the product away from fire sources and high temperatures. Do not expose the product to direct sunlight.
- * Do not place any hot objects on the surface of the product.
- * **Do not fully tighten the screws during initial assembly. Fully tighten screws only once all pieces which are correctly assembled**

Warnings

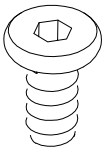
- * Children are not allowed to assemble the product. During assembly, keep all any small parts out of the reach of children as they may be fatal if swallowed or inhaled.
- * Children are forbidden to climb or play on the product to avoid serious bodily injury caused by the toppling.
- * Keep plastic packing bags out of reach of children to avoid any potential danger, such as suffocation.
- * The product should be attached to the wall with the included anti-tipping kit to prevent personal injury caused by accidentally tipping over.



Put a carpet on the floor before unpacking

Hardware Provided

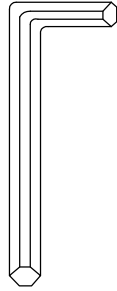
1



M6*10mm

X 15

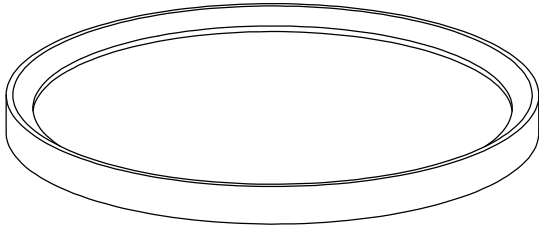
2



X 1

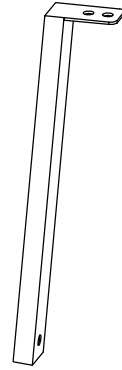
Parts Identification

A



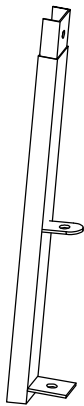
X 1

B



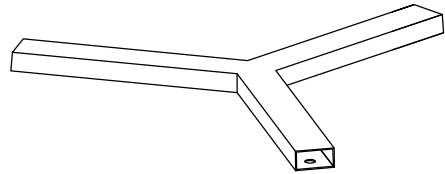
X 3

C



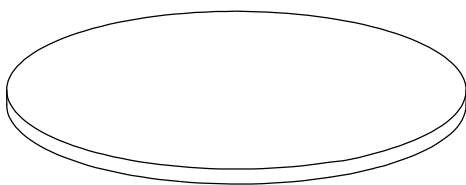
X 3

D



X 1

E

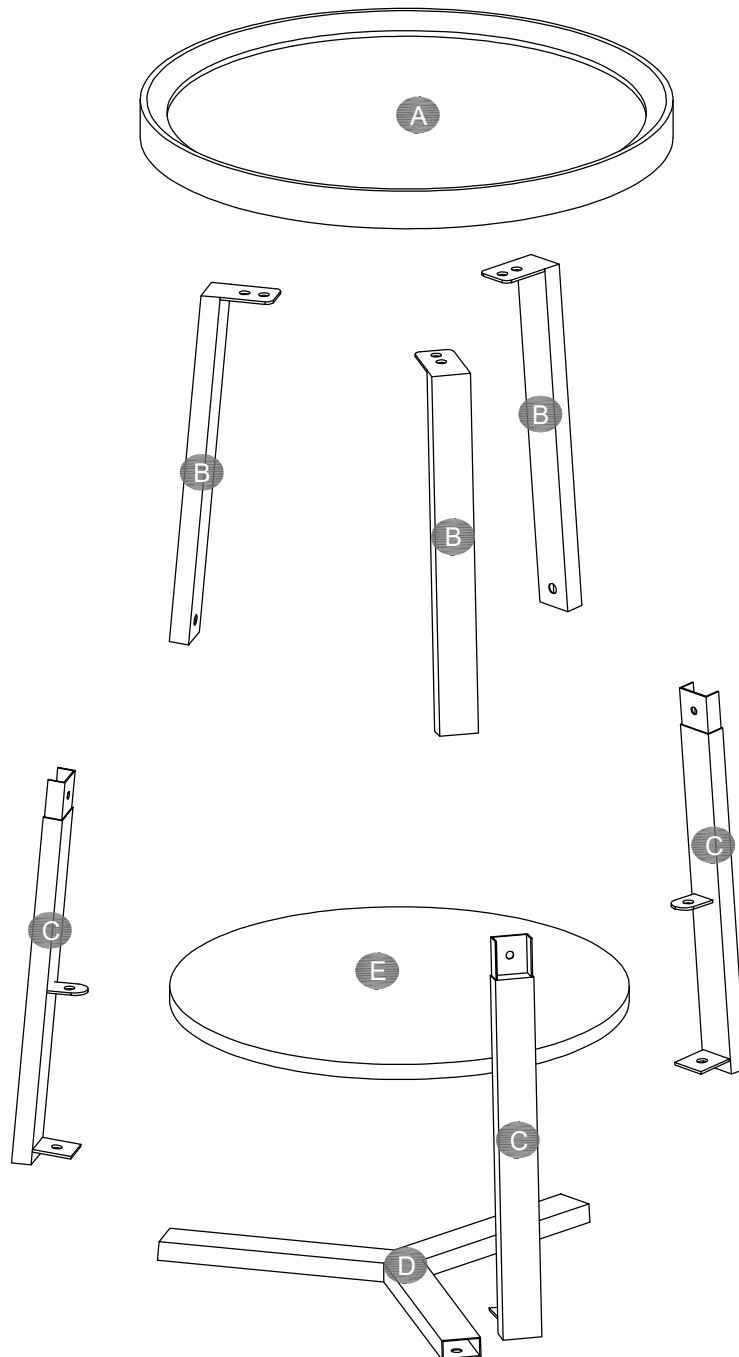


X 1

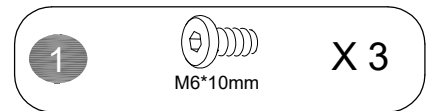
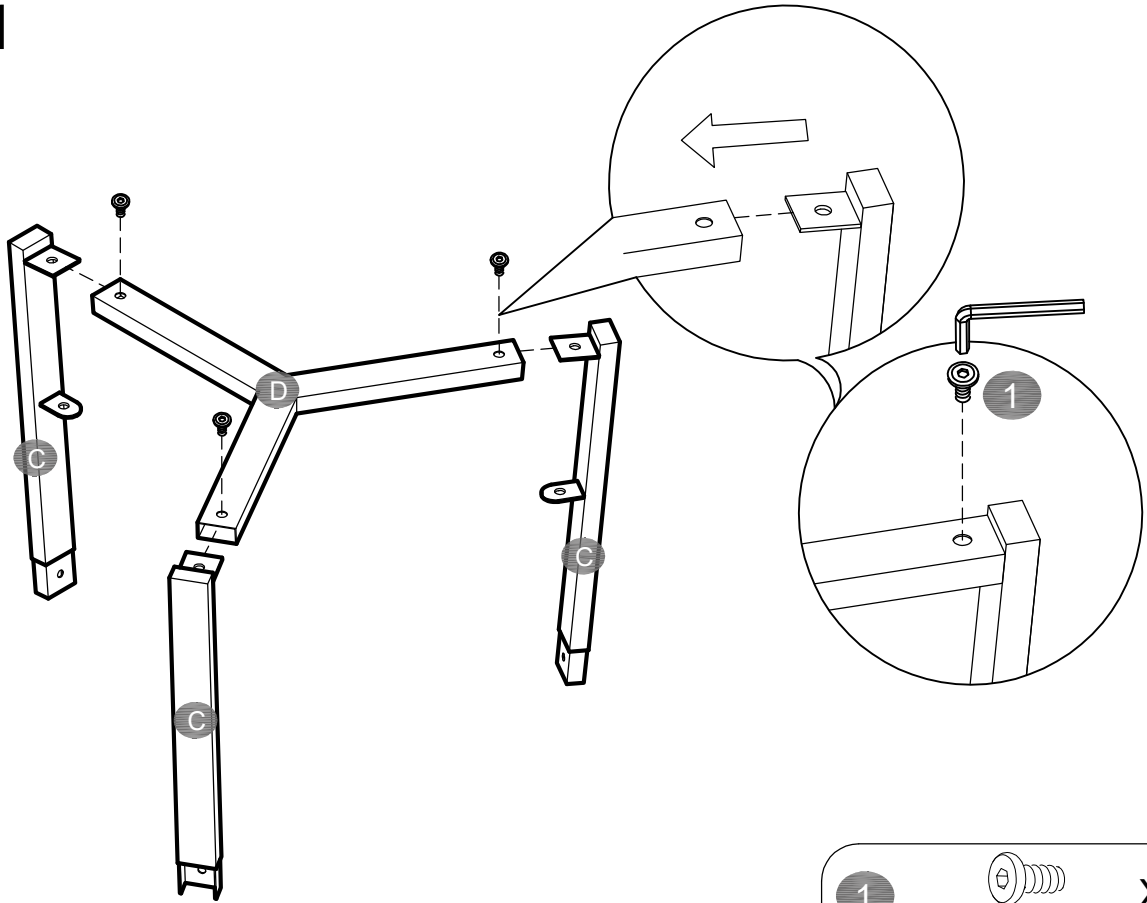
F

X 1

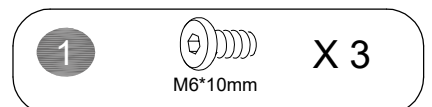
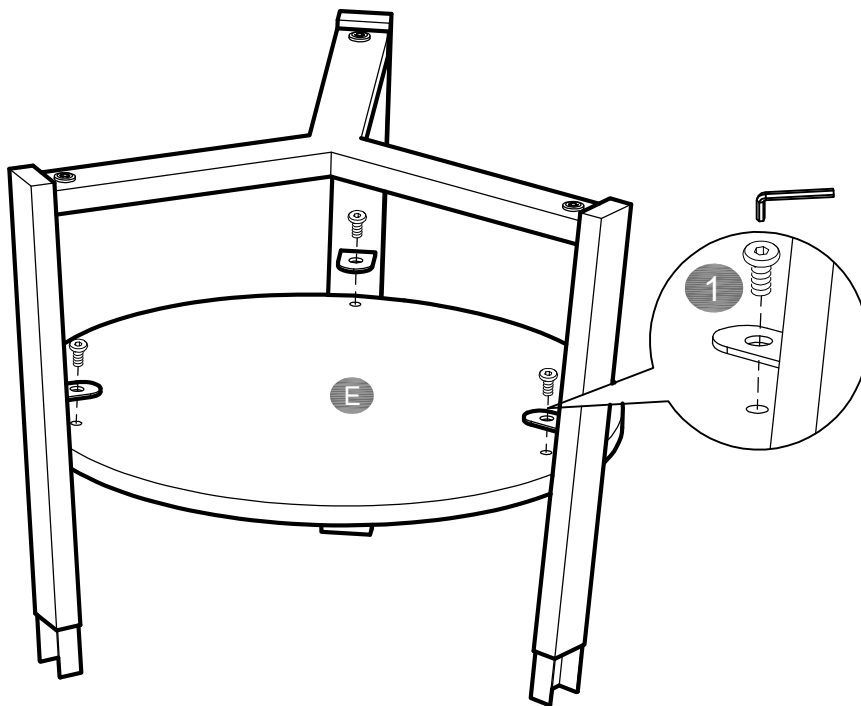
Exploded View



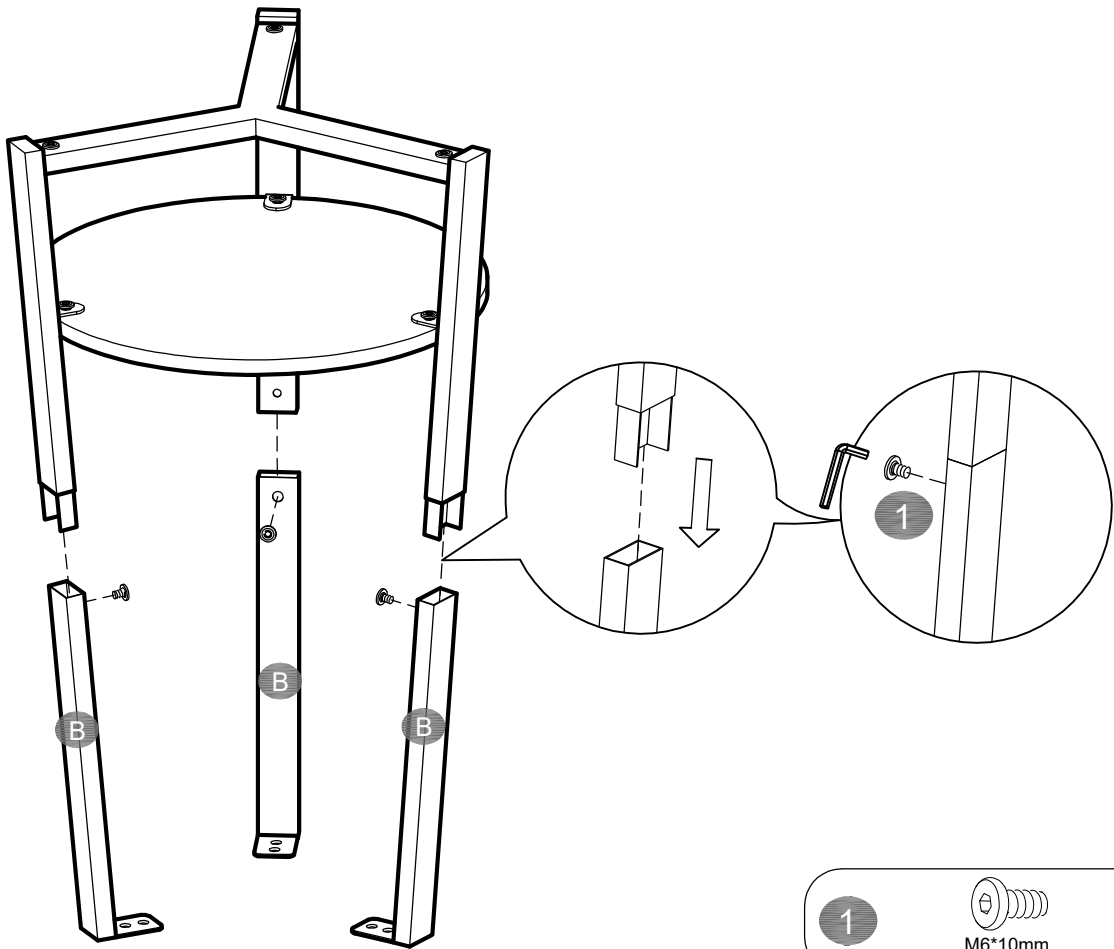
Step 1



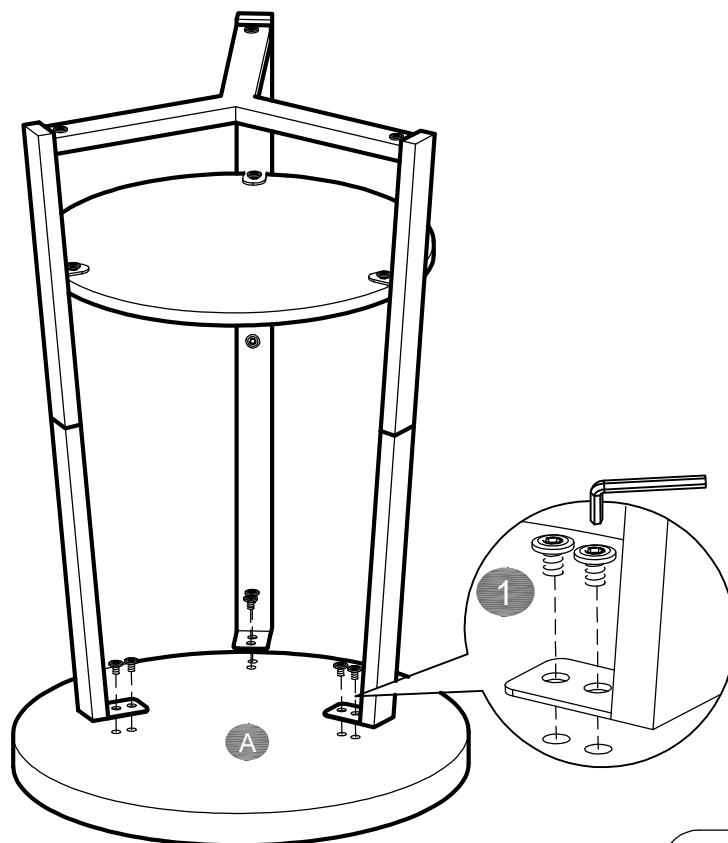
Step 2



Step 3



Step 4



Step 5

