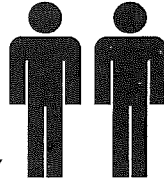


EXTRA LARGE KITCHEN CART WOOD/STAINLESS TOP

Latest Version:

2hrs

APPROXIMATE ASSEMBLY TIME 2 PERSON OF ASSEMBLY

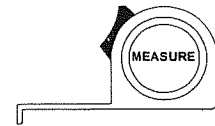
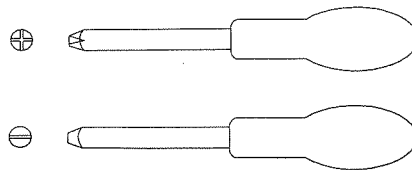


FLOOR AREA
1.0M X 2.0M

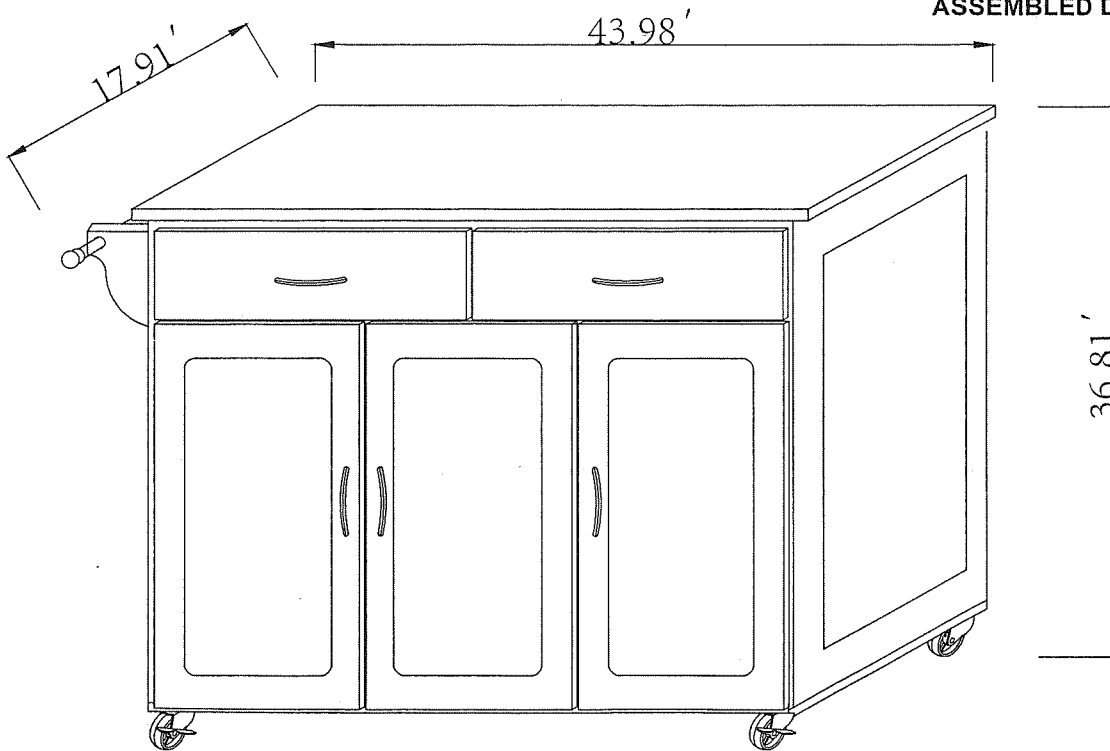


REQUIRED ASSEMBLY SPACE

REQUIRED ASSEMBLY TOOLS



ASSEMBLED DIMENSIONS

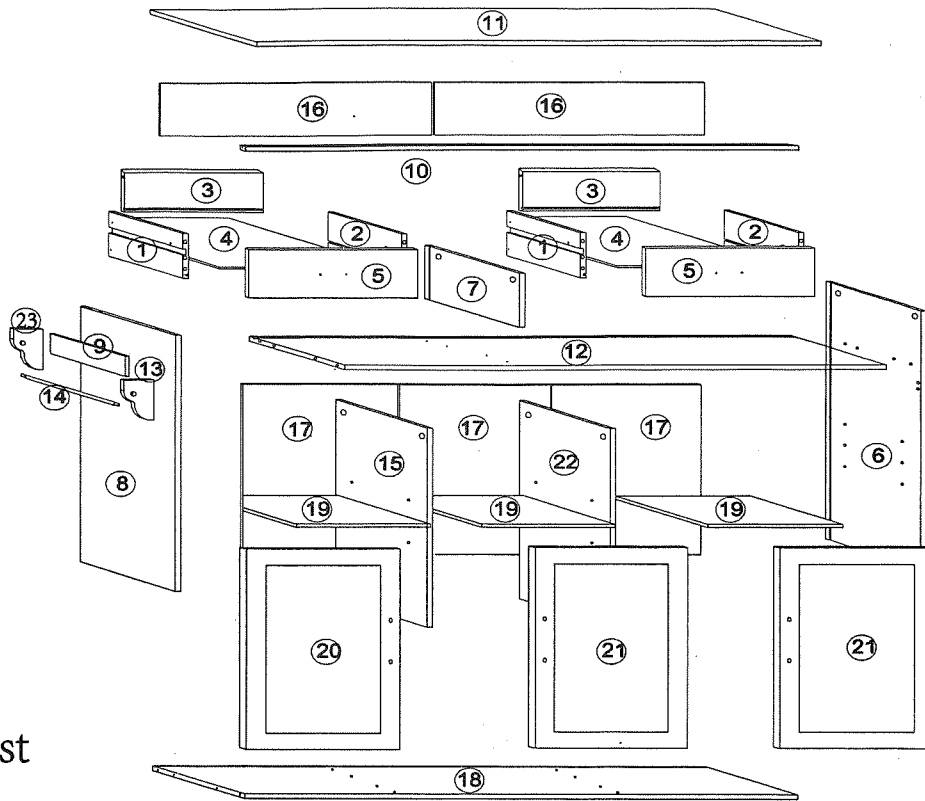


Thank you for purchasing our product!

Please assemble the products with the guidance of this manual instruction. Contact our friendly customer service department with any comments or in case there is any missing or damaged parts or hardware. Replacements for missing or damaged parts or hardware are normally shipped within 2 to 3 days.

We appreciate your business !

EXTRA LARGE KITCHEN CART WOOD/STAINLESS TOP

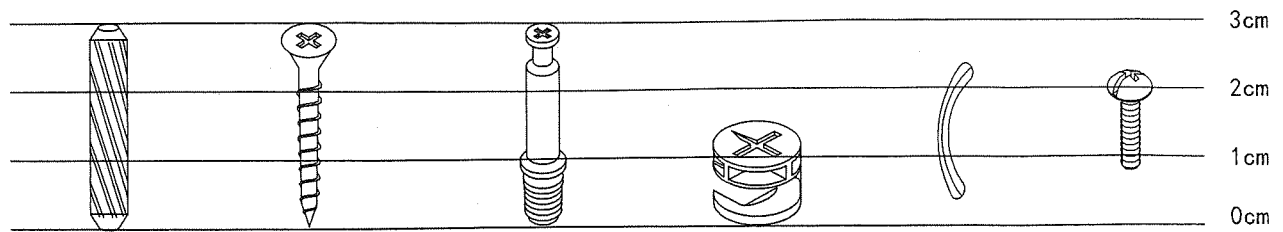


Part List

ITEM	DESCRIPTION	PART	QTY	ITEM	DESCRIPTION	PART	QTY
1	Drawer Side Panel(L)		2PCS	12	Upper Shelf Panel		1PC
2	Drawer Side Panel(R)		2PCS	13	Right Rack support		1PC
3	Drawer Back Panel		2PCS	14	Tower Back Bar		1PC
4	Drawer Bottom Panel		2PCS	15	Left Middle Panel		1PC
5	Drawer Front		2PCS	16	Upper Back Panel		2PCS
6	Right Panel		1PC	17	Lower Back Panel		3PCS
7	Drawer divider		1PC	18	Bottom Panel		1PC
8	Left Panel		1PC	19	Adjustable shelf		3PCS
9	Knife Rack		1PC	20	Left Door		1PC
10	Front Cross Bar		1PC	21	Right Door		2PCS
11	Top Panel		1PC	22	Right Middle Panel		1PC
				23	Left Rack support		1PC

EXTRA LARGE KITCHEN CART WOOD/STAINLESS TOP

Hardware List



34× Dia.6×30mm
A
Wooden Dowel

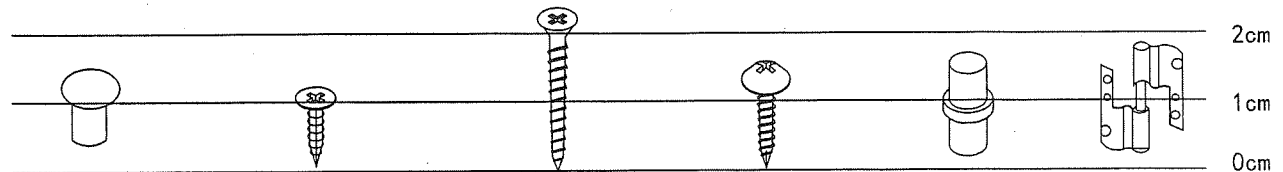
10× M3.5×30mm
B
Screw

18× M6mm
C
Camlock Bolt

18× Dia.15mm
D
Camlock

5× 9.5mm
G
Door Handle

10×
H
Handle Bolt



4×
I
Drawer Stopper

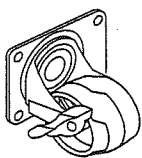
24× M3.5×12mm
J
Screw

10× M3.5×35mm
K
Screw

16× M5×15mm
L
Castor Screws

12×
M
Shelf pin

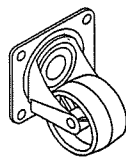
2×
N
Left Hinges



2×

O

3*castor with Brake



2×

P

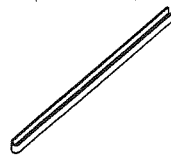
3*castor without Brake



10× M3×12mm

Q

Screw



2×

R

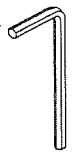
Plastic Runner



4× Dia.8×30mm

S

Wooden Dowel



1×

T

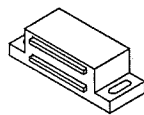
Allen Wrench



4×

U

Allen Bolt



3×

V

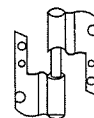
Magnetic Catch



3×

W

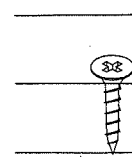
Metal bar



4×

X

Right Hinges



6× M3×15mm

Y

Screw

2cm

1cm

0cm

EXTRA LARGE KITCHEN CART WOOD/STAINLESS TOP

Top Tips before you start!

1. Please check that all parts are present before you start the assembly of your furniture, as once assembled, the furniture is exempt from our home approval policy.
2. For ease and speed of assembly, we recommend that before you commence each step of the assembly, that you identify all the parts required for that step.
3. For larger items, please ensure that you have sufficient space and people (as indicated on page 1) to assemble your product safely
4. We recommend that, where possible, all items are assembled near to the area in which they will be placed in use, to avoid moving the product unnecessarily once assembled.
5. For the protection of your furniture, particularly items of high gloss finish, we recommendnd that the product is placed on a protected surface during assembly to prevent any damage.
6. During assembly please take care not to over-tighten any fittings, as this may damage the product.
7. Always place the product on a flat, steady and stable surface.
8. Do not sit or stand on the product.
9. This product is intended for indoor, household use only as it is non industrial product.

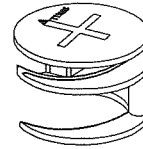
Care and Maintenance of your Furniture

- Please periodically check all fittings are re-tighten as necessary.
- To clean your item, please use a damp cloth and wipe clean.
- Never allow any kind of liquid to remain on your furniture. Absorption can cause wood to warp or finishes to de-laminate.
- Please do not place hot items (e.g. hot drinks) directly on to the wood surface.
- Please do not drag and pull your furniture.

EXTRA LARGE KITCHEN CART WOOD/STAINLESS TOP

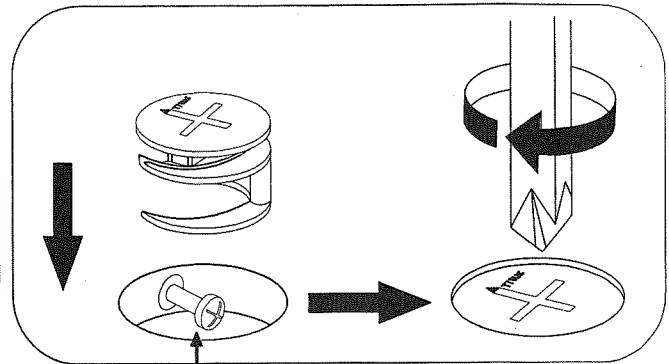
SPECIAL TIPS FOR FITTING CAM-LOCKS AND QUICKFIT

CAM-LOCK



WHEN FITTING CAMLOCK
ENSURE STARTING POSITION IS CORRECT
BEFORE YOU INSERT CONNECTING QUICKFIT
TURN CLOCKWISE UNTIL SECURE

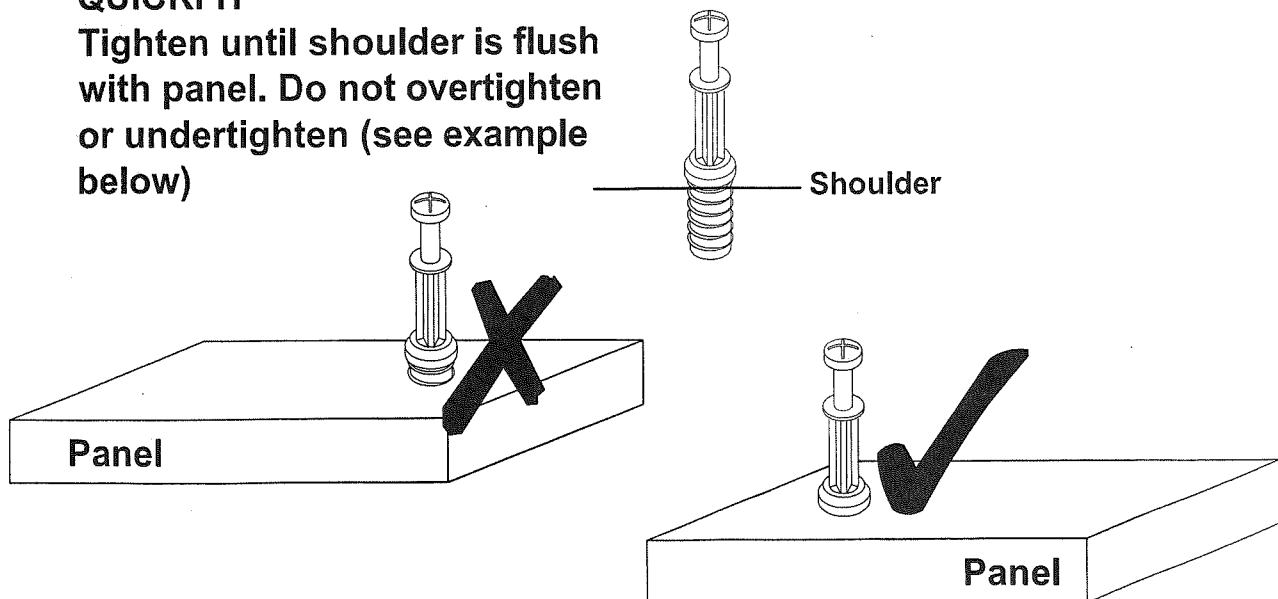
CORRECT **WRONG**



Quickfit head needs to be in centre

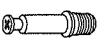





QUICKFIT

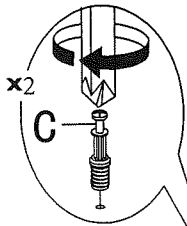
Tighten until shoulder is flush with panel. Do not overtighten or undertighten (see example below)



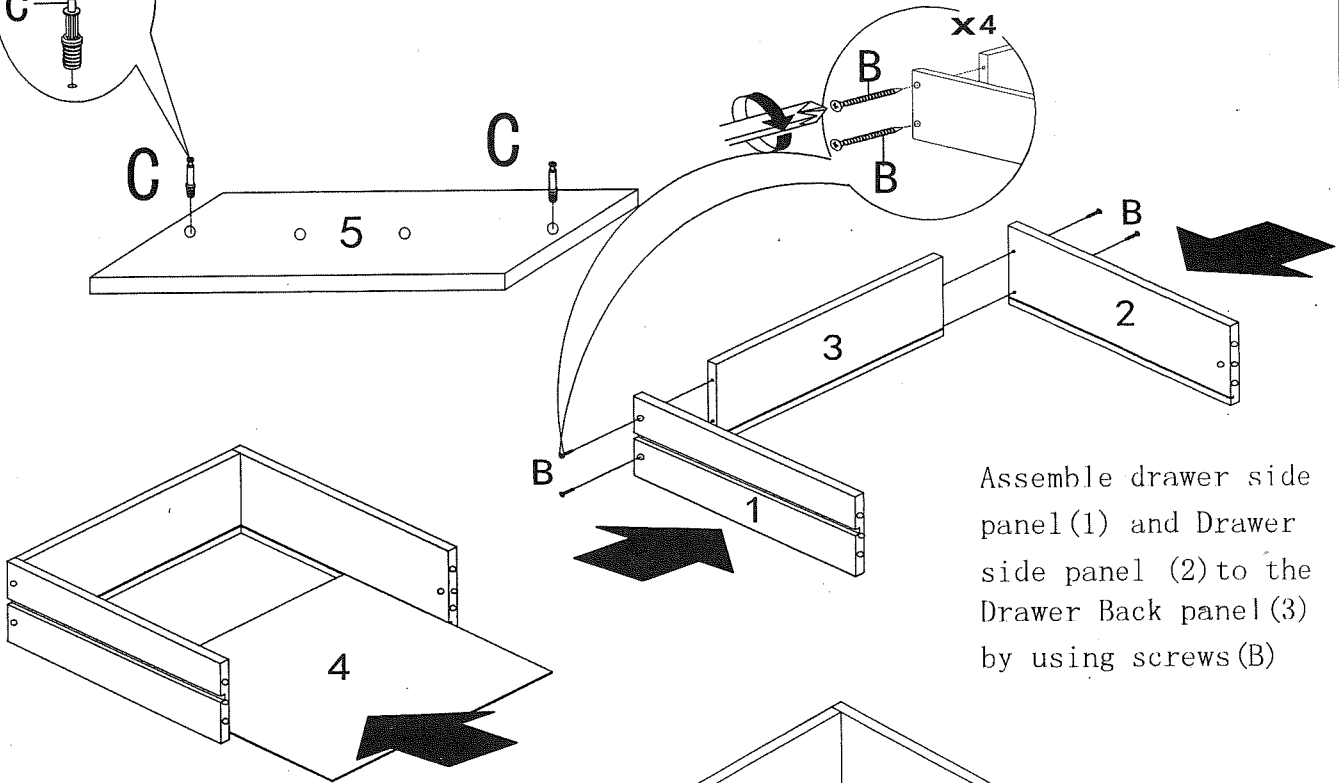
EXTRA LARGE KITCHEN CART WOOD/STAINLESS TOP

Drawer Assembly Instruction

		
C×2	B×4	G×1
		
D×2	H×2	A×4

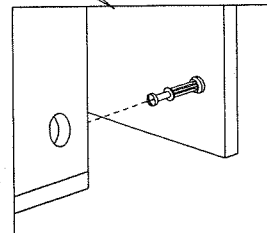
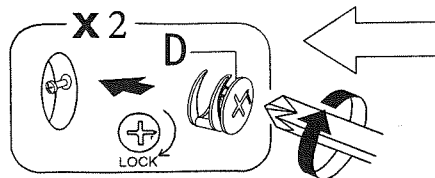
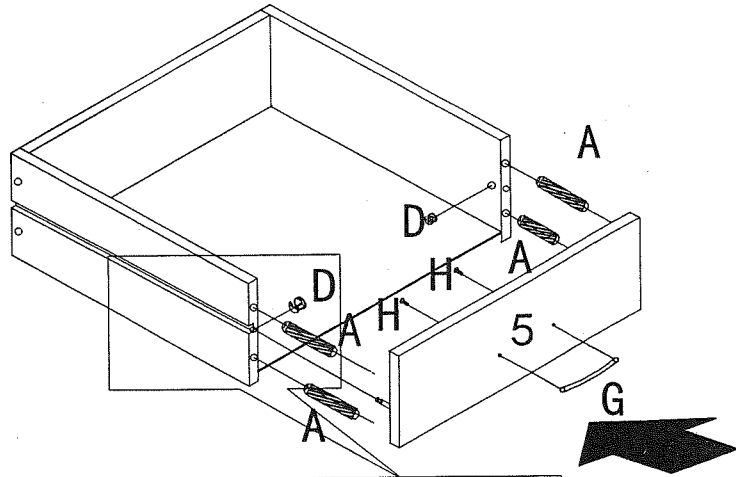


Install Bolt (C) to Drawer Front (5)



Assemble drawer side panel (1) and Drawer side panel (2) to the Drawer Back panel (3) by using screws (B)

Install Camlock (D) to Left & Right Drawer side as shown below. Install the Drawer Handle (G) to Drawer Front (5) by using Handle Bolt (H).



EXTRA LARGE KITCHEN CART WOOD/STAINLESS TOP

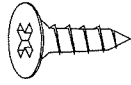


Step: 1

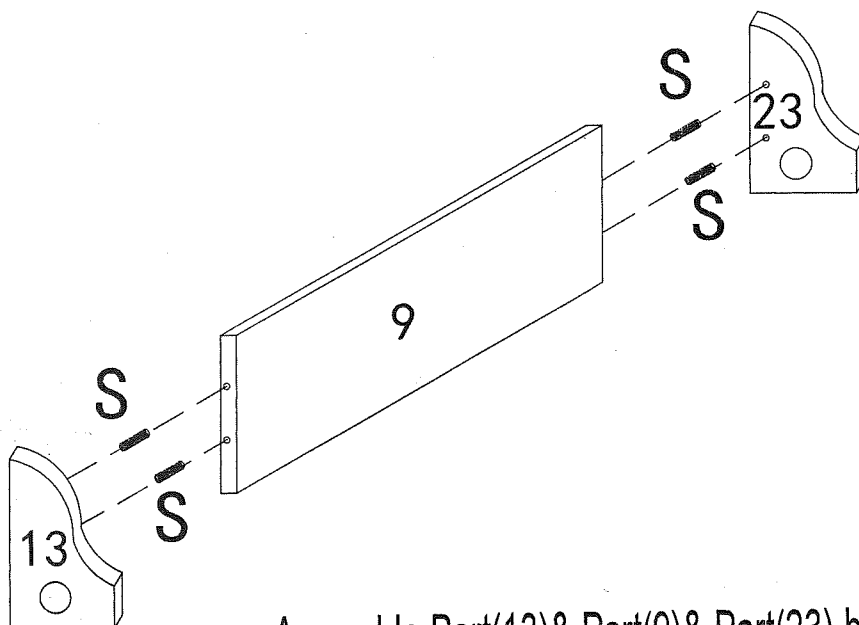
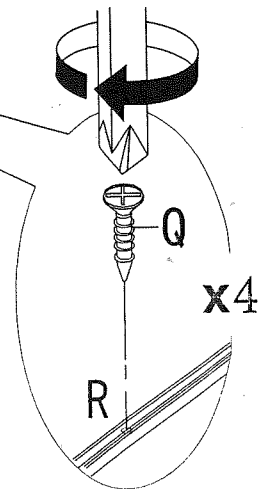
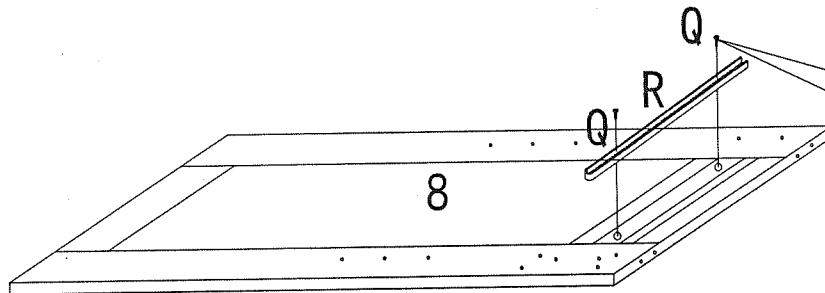
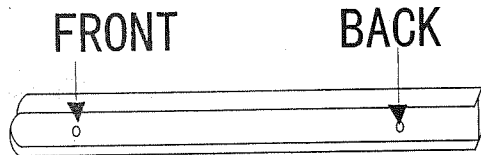
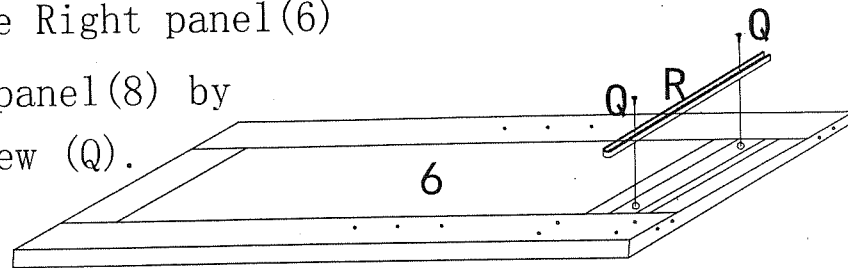
Install the Plastic Runner

(R) to the Right panel (6)

and Left panel (8) by

using screw (Q).

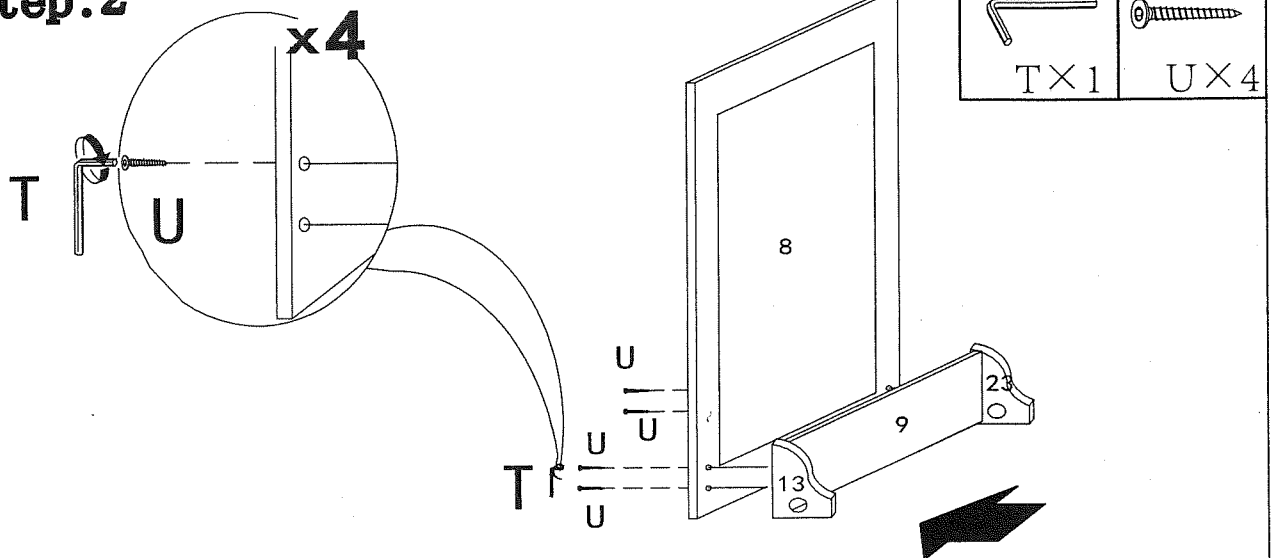
	
Q×4	R×2
	
S×4	



Assemble Part(13)& Part(9)& Part(23) by using S as shown

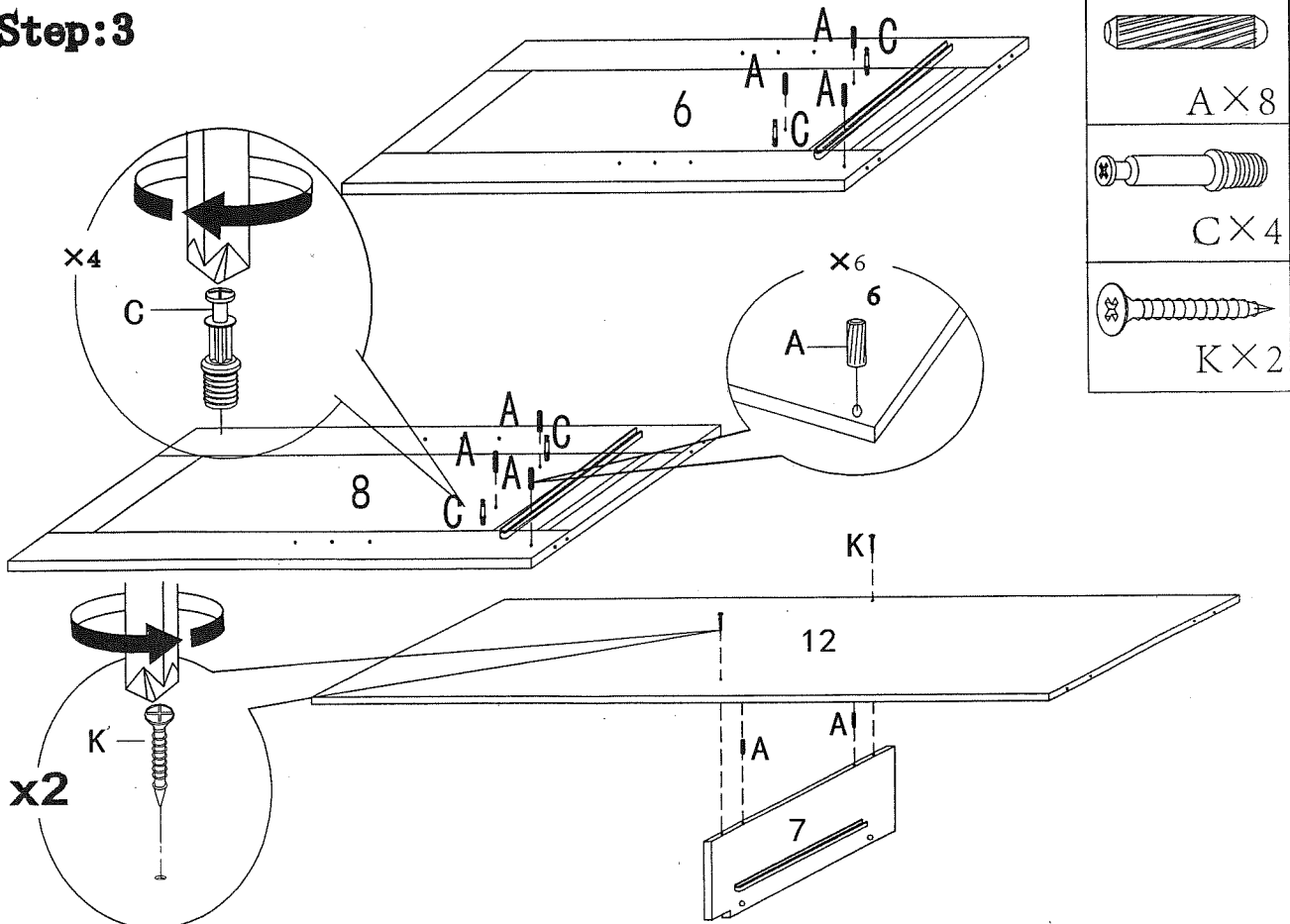
EXTRA LARGE KITCHEN CART WOOD/STAINLESS TOP

Step:2



Assemble Part(13) & Part(23) to Part(8) by using U as shown

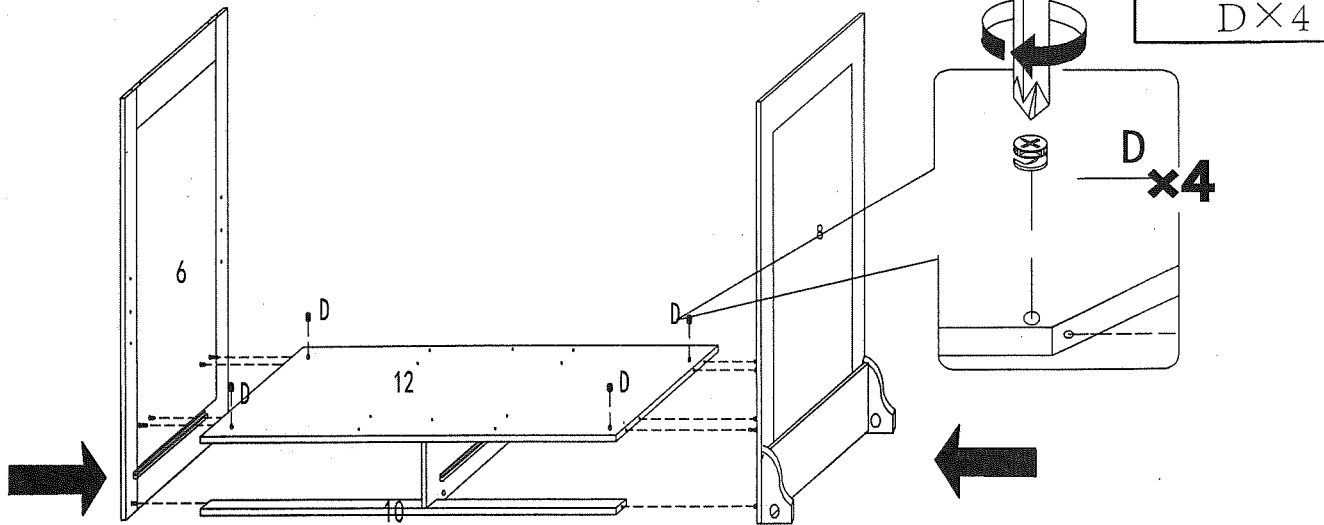
Step:3



Install A & C to Part(6) & Part(8) ,then assemble Part(7) and Part(12) by using A & K as shown

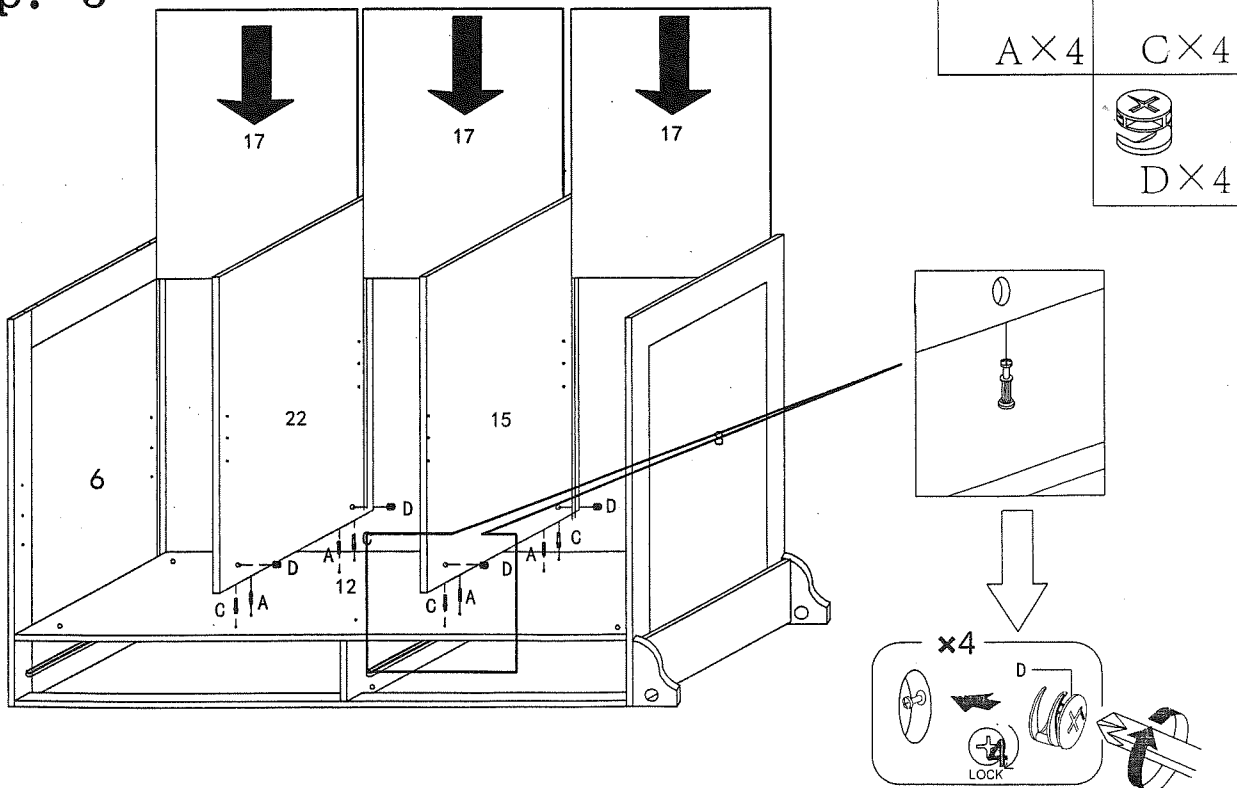
EXTRA LARGE KITCHEN CART WOOD/STAINLESS TOP

Step: 4



Install Part(6) & (12) & (10) & (8) by using D as shown

Step: 5

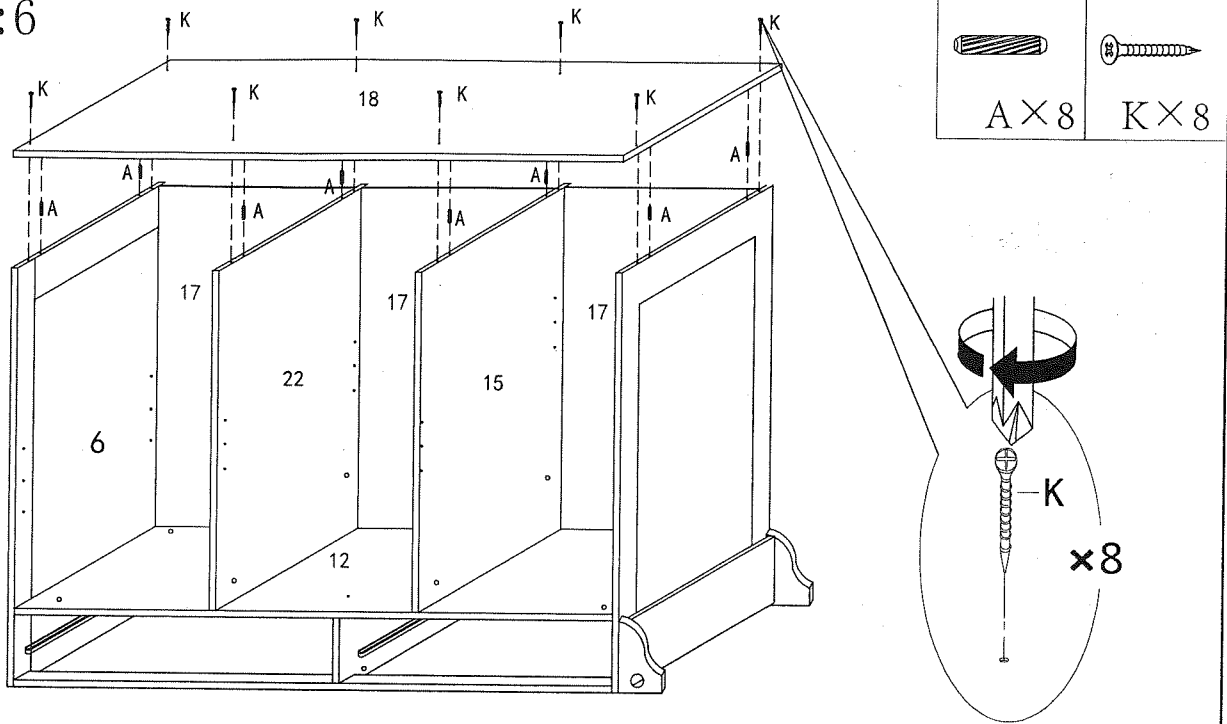


Assemble Part(22) & (15) to Part(12) by using A & C & D as shown

Then Insert Part(17) as shown

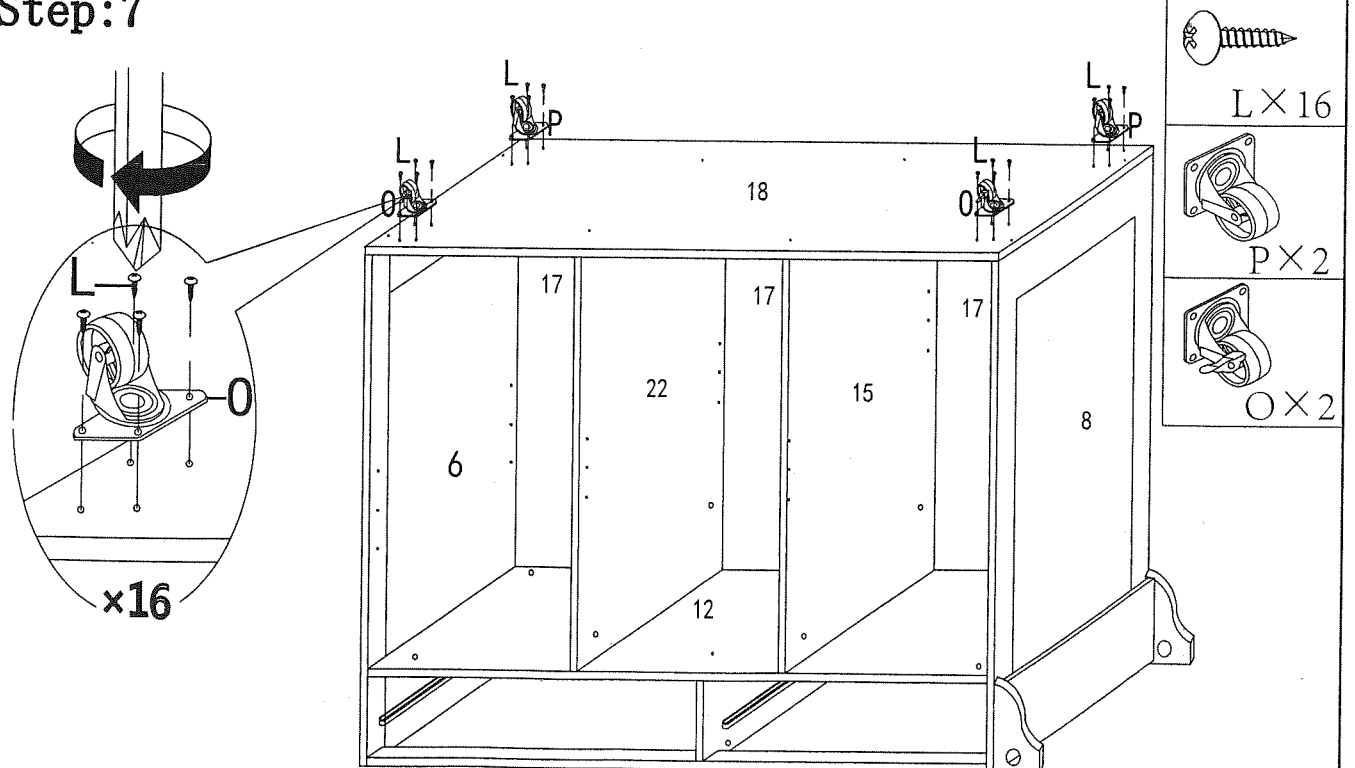
EXTRA LARGE KITCHEN CART WOOD/STAINLESS TOP

Step:6



Assemble Part(18) to assembled unit by using K&A as shown

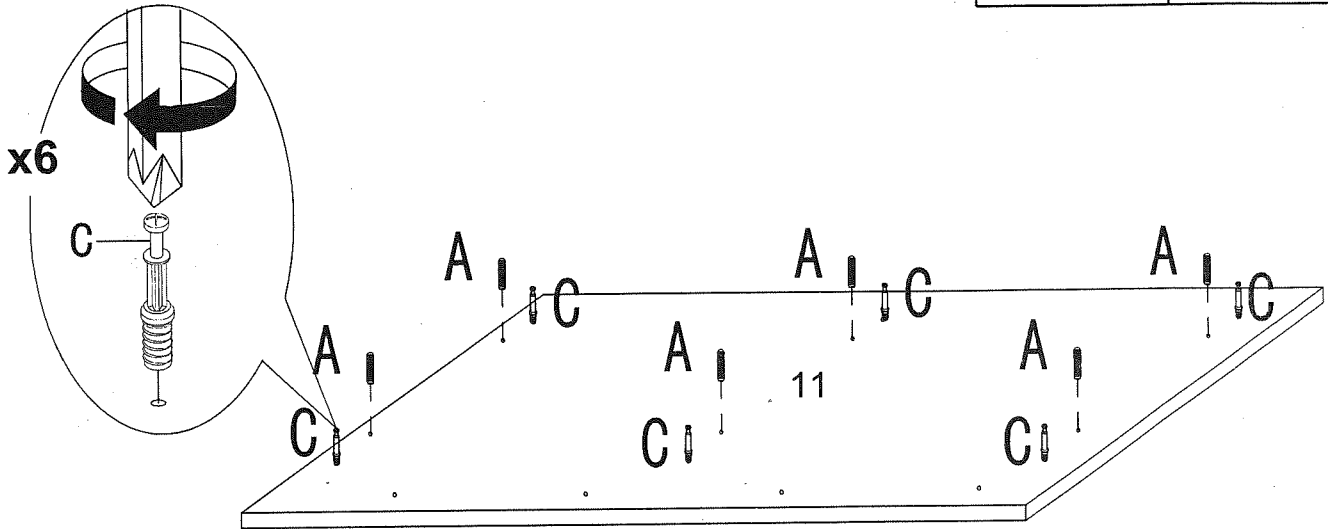
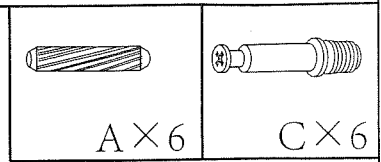
Step:7



Assemble O to Part(18) by using L as shown

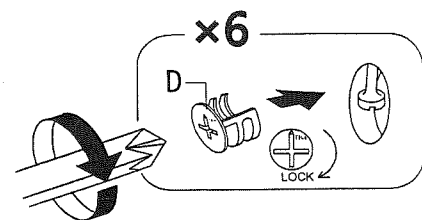
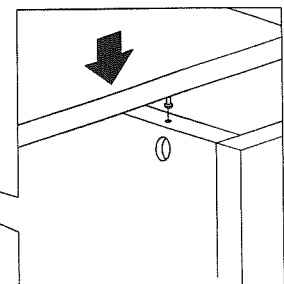
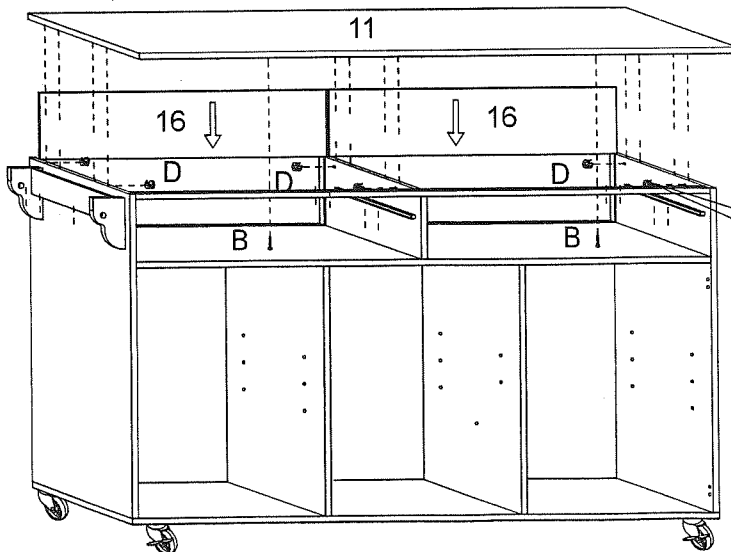
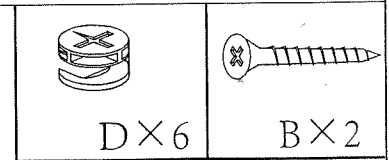
EXTRA LARGE KITCHEN CART WOOD/STAINLESS TOP

Step:8



Assemble A&C to Part(11) as shown

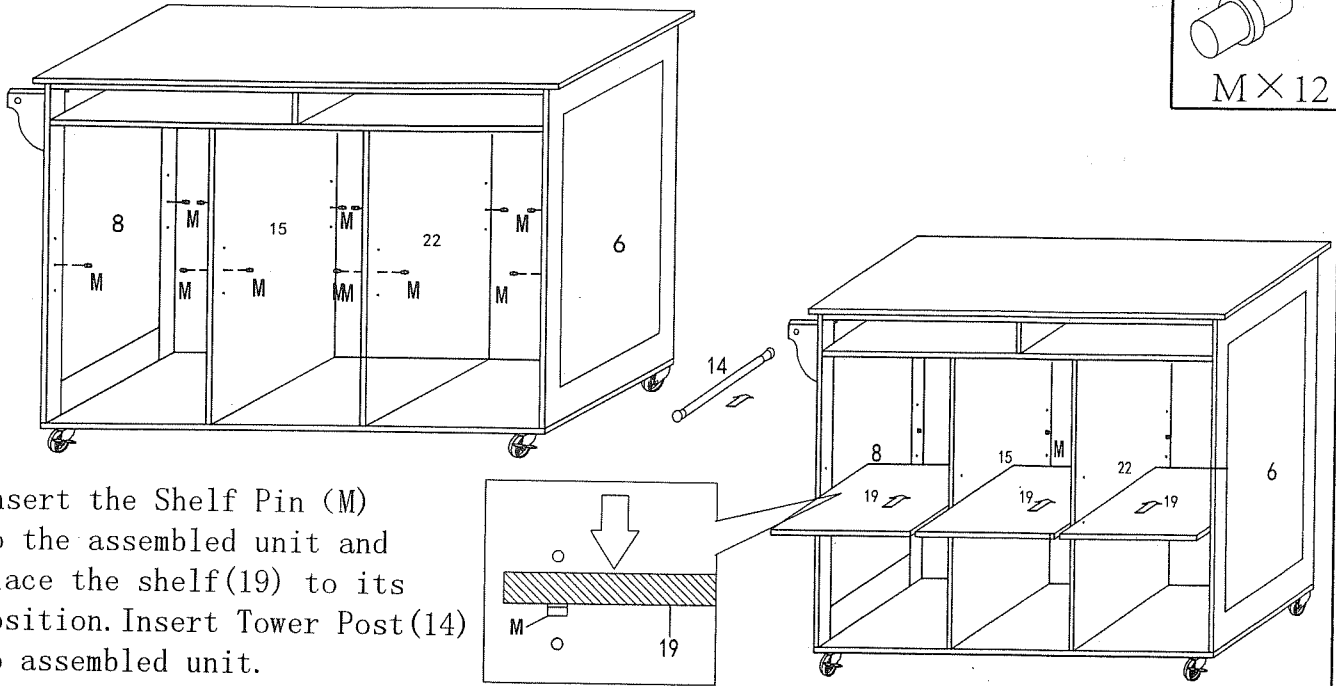
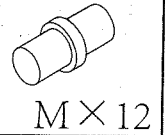
Step:9



Install Part(11) to assembled unit by using D&B as shown

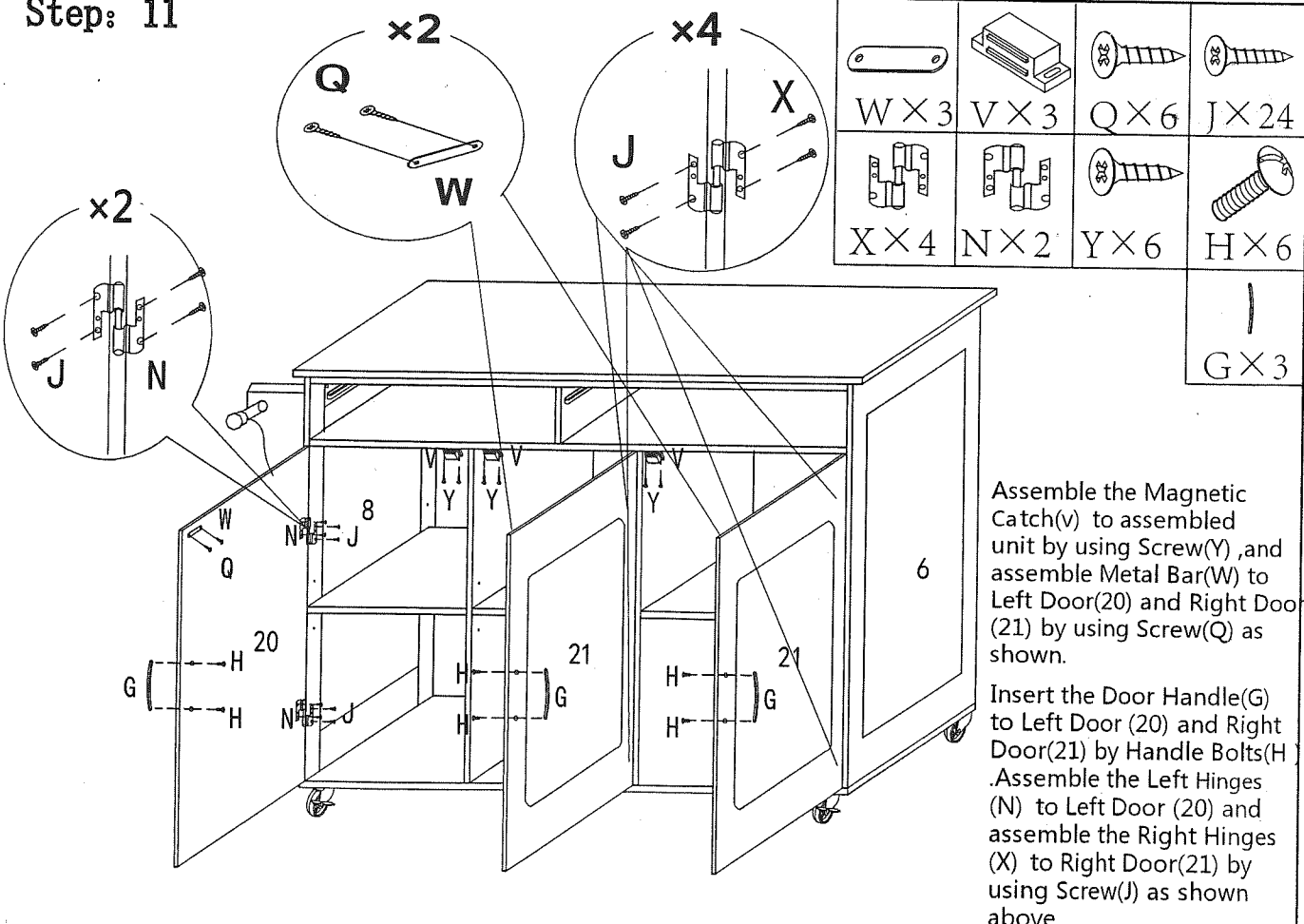
EXTRA LARGE KITCHEN CART WOOD/STAINLESS TOP

Step:10



Insert the Shelf Pin (M) to the assembled unit and place the shelf(19) to its position. Insert Tower Post(14) to assembled unit.

Step: 11



Assemble the Magnetic Catch(v) to assembled unit by using Screw(Y), and assemble Metal Bar(W) to Left Door(20) and Right Door(21) by using Screw(Q) as shown.

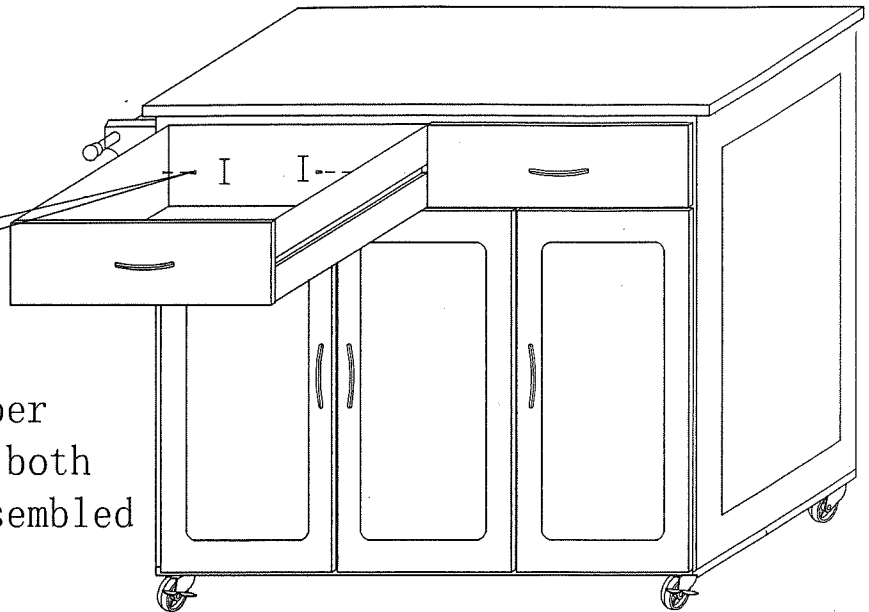
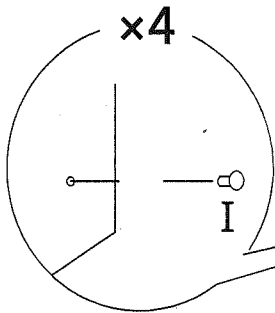
Insert the Door Handle(G) to Left Door (20) and Right Door(21) by Handle Bolts(H). Assemble the Left Hinges (N) to Left Door (20) and assemble the Right Hinges (X) to Right Door(21) by using Screw(J) as shown above.

EXTRA LARGE KITCHEN CART WOOD/STAINLESS TOP

Step:12



I × 4



Insert the Door stopper (I) while inserting both the drawer to the assembled unit.

Step:13

