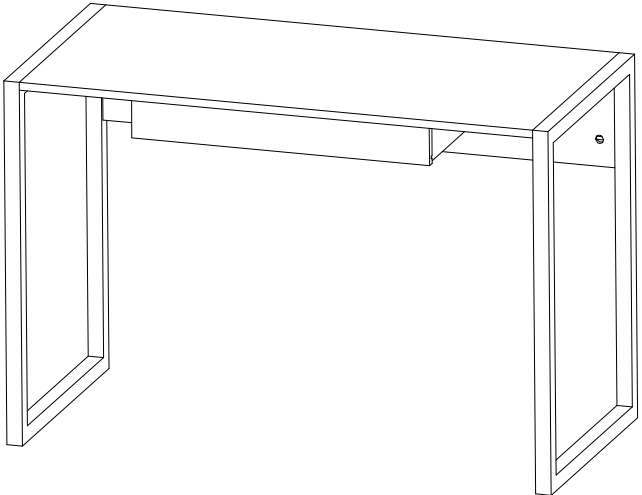


# EEI -2785 DESK


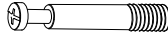

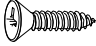


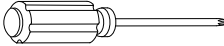
Thank you for purchasing the **DESK!**

Before you start, here is some helpful advice:

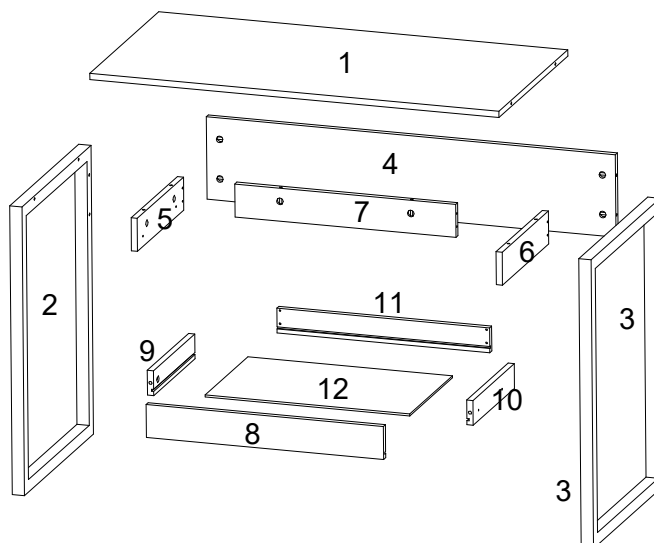
1. We suggest you spend a short time reading through this leaflet and then follow the simple step-by-step instructions.
2. Owing to the size and weight of the desk, we recommend that it is assembled by two adults, on a carpeted or padded area, in the room that it is intended for. Approximate assembly time: 45 minutes.
3. Please do not use any tools other than those provided or recommended in these instructions.
4. Please do not throw away any of the packaging or the instruction until you have checked all the components and hardware and the furniture is fully assembled. Please ensure that the packaging is disposed of in a safe and environmentally friendly way.
5. Assemble all components loosely until advised to tighten. Depending on use, it may be necessary to tighten the components from time to time, so please save the tools that have been provided.
6. Please keep all fitting out of reach of children.



**Hardware:**

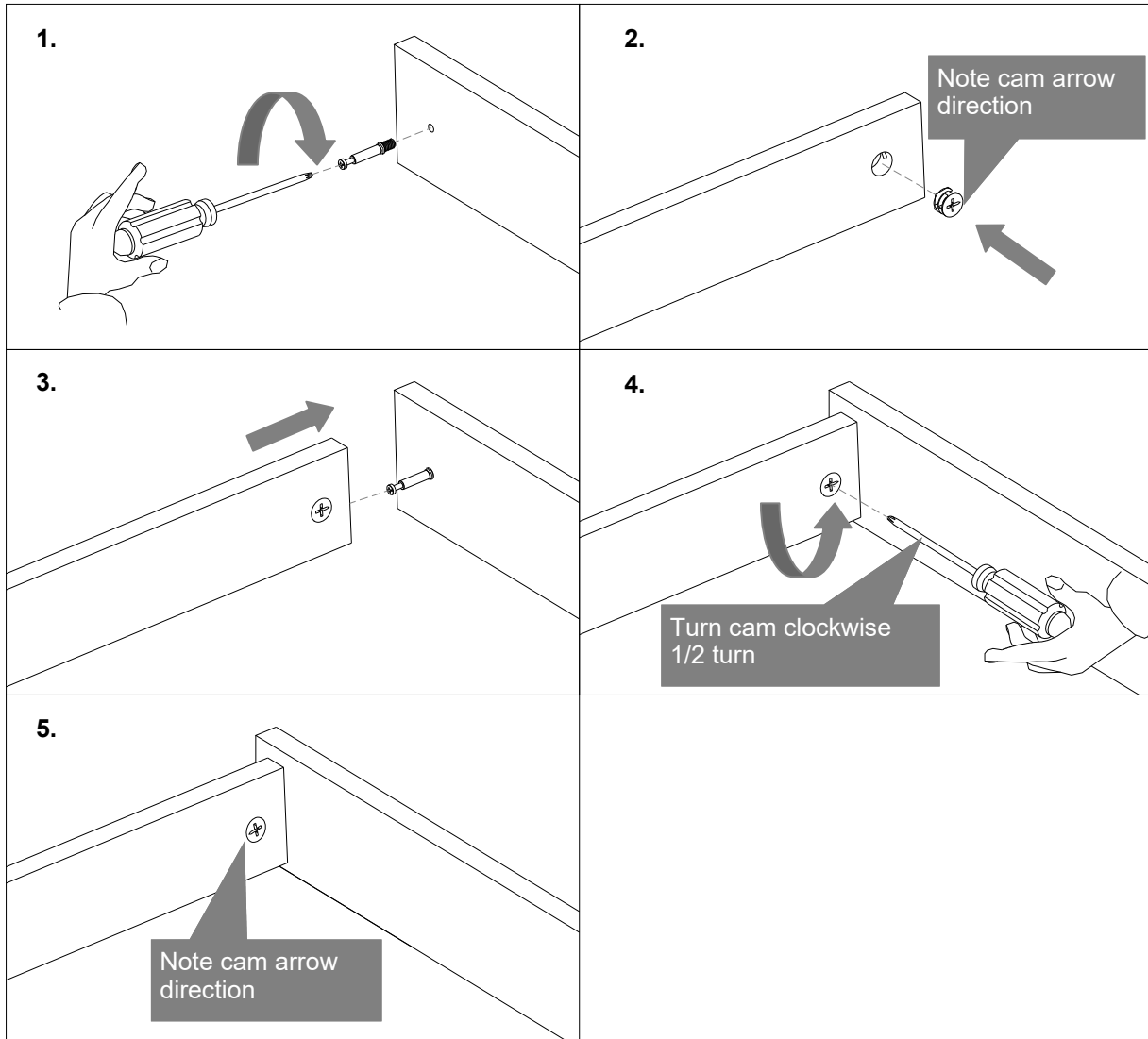
A		Cam	x16
B		Cam Post	x16
C		Long Screw M4x35mm	x8
D		Short Screw M4x14mm	x8
E		Dowel	x14
F		Drawer Glides	x1
		Phillips Head Screwdriver ( Not included)	

**Components:**



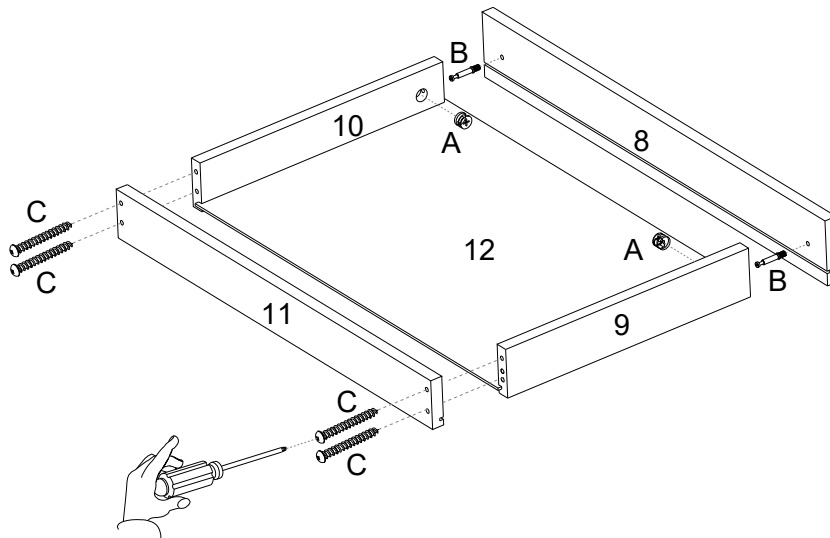
1 Desk Top	x1	2 Left Frame	x1	3 Right Frame	x1	4 Back Panel	x1
5 Frame Left	x1	6 Frame Right	x1	7 Frame Back	x1	8 Drawer Front	x1
9 Drawer Left	x1	10 Drawer Right	x1	11 Drawer Back	x1	12 Drawer Bottom	x1




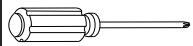
## HOW TO USE CAM AND CAM POST HARDWARE



### STEP 1:

Put **Drawer Front (8)**, **Drawer Left (9)**, **Drawer Right (10)**, **Drawer Back (11)**, and **Drawer Bottom (12)** together as shown. Attach them by using 2 pieces of **Cam Post (B)**, 2 pieces of **Cam (A)**, and 4 pieces of Long **Screw (C)**. Fully tighten **Cams (A)** and **Screws (C)** by using **Phillips Head Screwdriver** (not included).



			
Ax2	Bx2	Cx4	Phillips Head Screwdriver (not included)

Hardware & Tools required

# EEI -2785 DESK

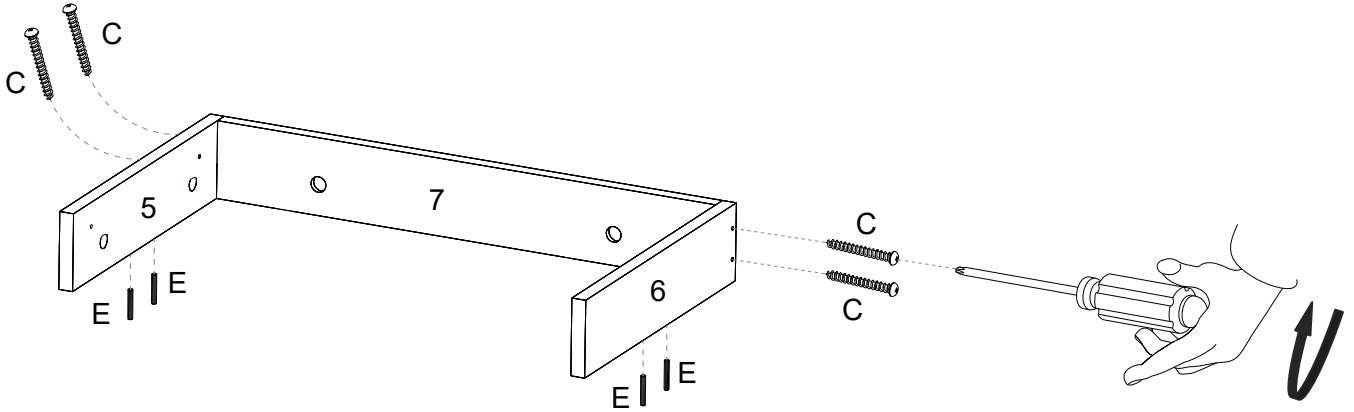
## STEP 2:

Put **Frame Left (5)**, **Frame Right (6)**, and **Frame Back (7)** together as shown.

Attach them by using 4 pieces of **Long Screw (C)**.

Use **Phillips Head Screwdriver** (not included) to tighten **Long Screws (C)** until secure.

Insert 2 pieces of **Dowel (E)** into each piece of **Frame Left (5)** and **Frame Right (6)** as shown.



Cx4	Ex4	Phillips Head Screwdriver (not included)

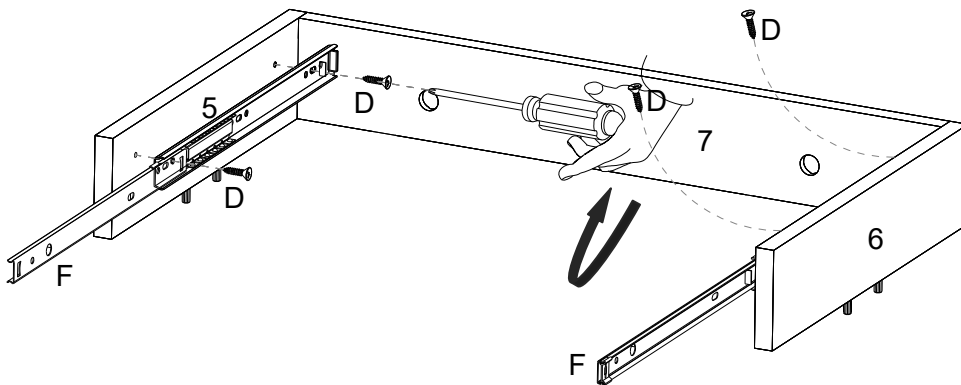
Hardware & Tools required

## STEP 3:

Place 1 set of **Drawer Glides (F)** to the assembled Drawer Frame as shown.

Attach them by using 4 pieces of **Short Screw (D)**.

Use **Phillips Head Screwdriver** (not included) to tighten **Short Screws (D)** until secure.



Dx4	Phillips Head Screwdriver (not included)

Hardware & Tools required

# EEI -2785 DESK

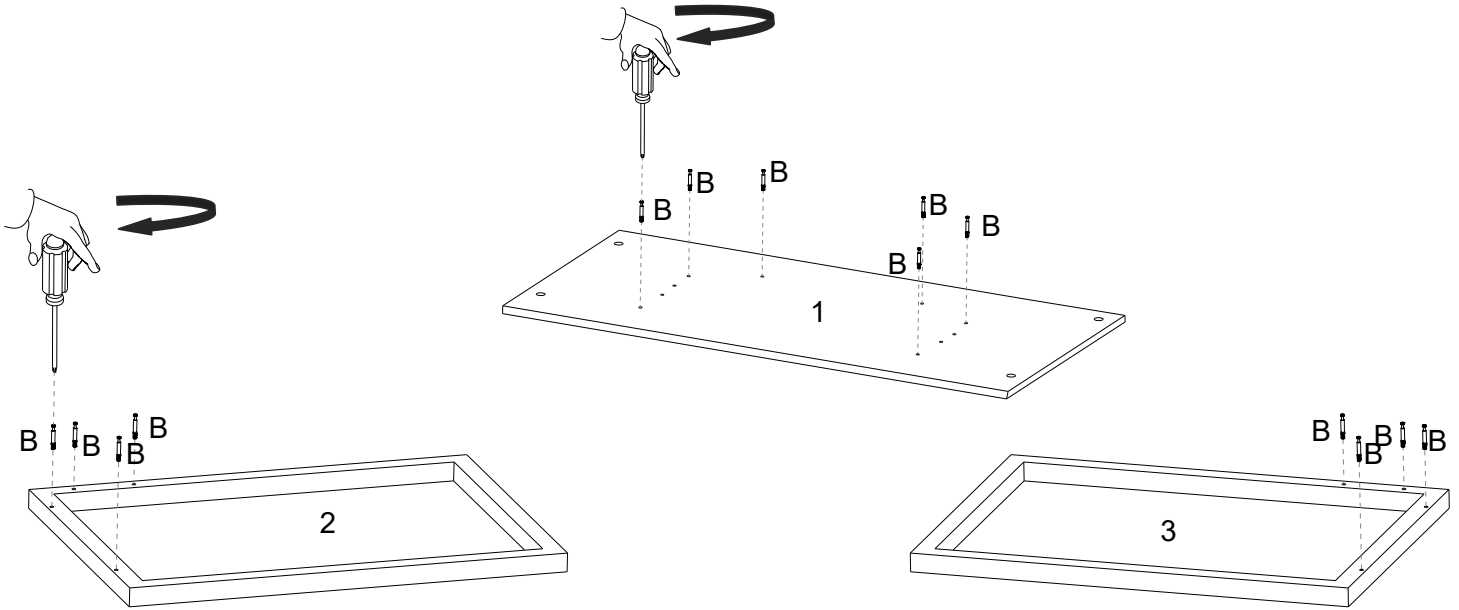
## STEP 4:

Put **Desk Top (1)**, **Left Frame (2)**, and **Right Frame (3)** upside down on a carpeted or padded surface.

Insert 6 pieces of **Cam Post (B)** into the pre-drilled holes on **Desk Top (1)**.

Insert 4 pieces of **Cam Post (B)** into the pre-drilled holes on each **Left Frame (2)** and **Right Frame (3)**.

Use **Phillips Head Screwdriver** (not included) to tighten **Cam Post (B)** until secure.



Bx14	Phillips Head Screwdriver (not included)

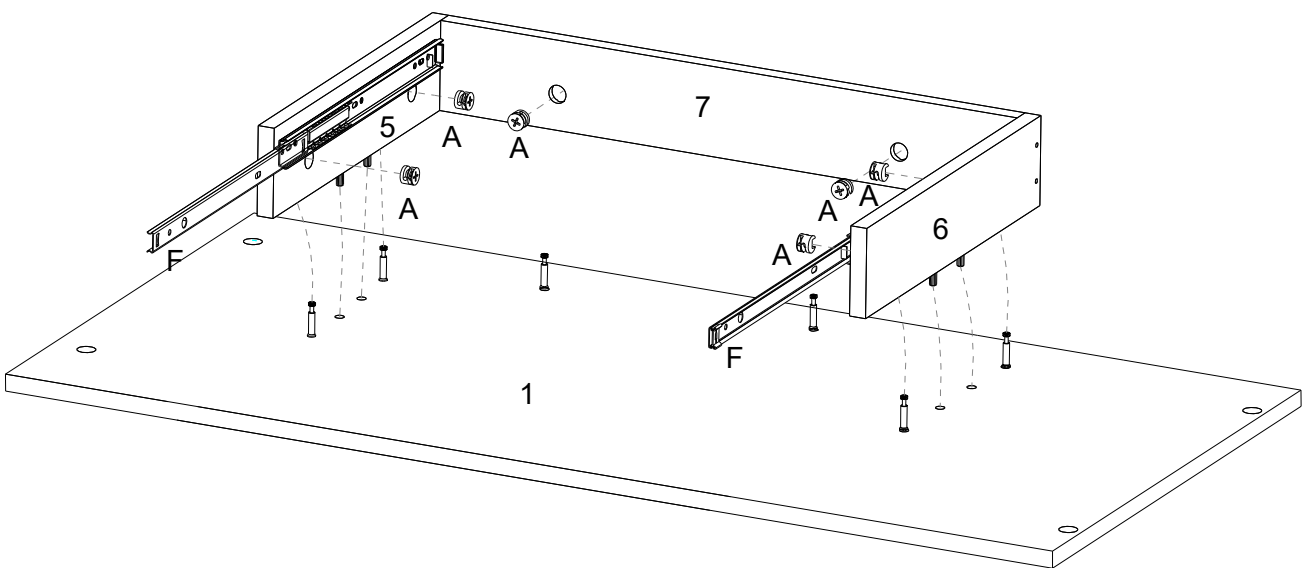
Hardware & Tools required

## STEP 5:

Place the assembled **Drawer Frame** to **Desk Top (1)** as shown.

Attach them by using 6 pieces of **Cam (A)**.

Use **Phillips Head Screwdriver** (not included) to tighten **Cams (A)** until secure.



Ax6	Phillips Head Screwdriver (not included)

Hardware & Tools required

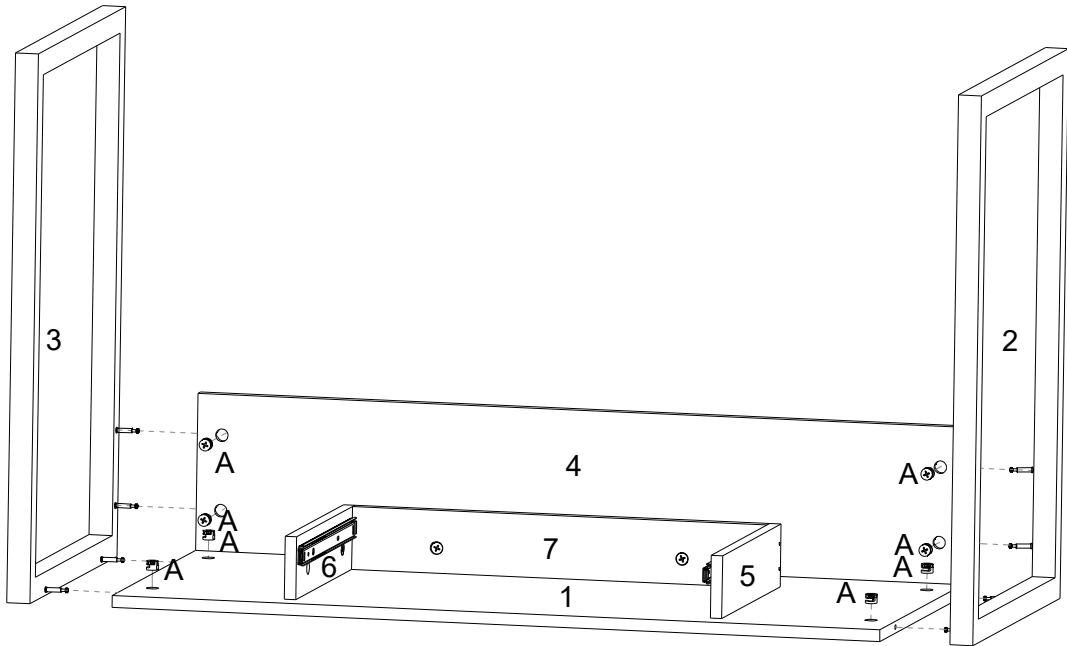
# EEI -2785 DESK


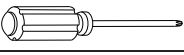
## STEP 6:

Put **Left Frame (2)** and **Right Frame (3)** to the assembled **Top panel (1)**, **Back Panel (4)**, and **Drawer Frame (5 & 6 & 7)** as shown.

Attach them using 8 pieces of **Cam (A)**

Use **Phillips Head Screwdriver** (not included) to tighten **Cams (A)** until secure.



	
Ax8	Phillips Head Screwdriver (not included)

Hardware & Tools required

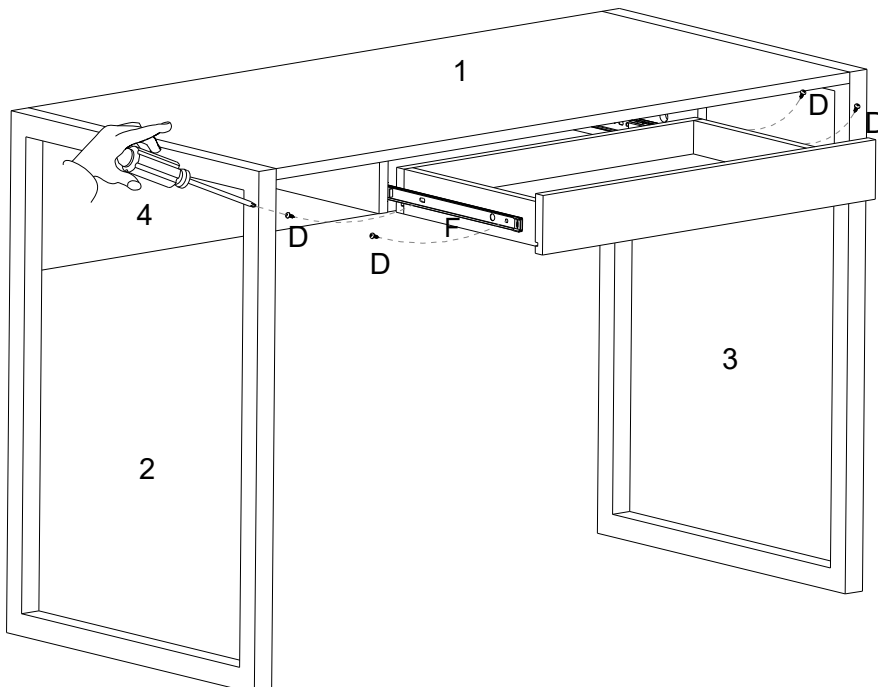
## STEP 7:

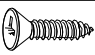
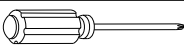
Fully pull out **Drawer Glides (F)** as shown.

Place the assembled drawer to **Drawer Glides (F)**.

Attach the drawer by using 4 pieces of **Short Screw (D)**.

Use **Phillips Head Screwdriver** (not included) to tighten **Short Screws (D)** until secure.



	
Dx4	Phillips Head Screwdriver (not included)

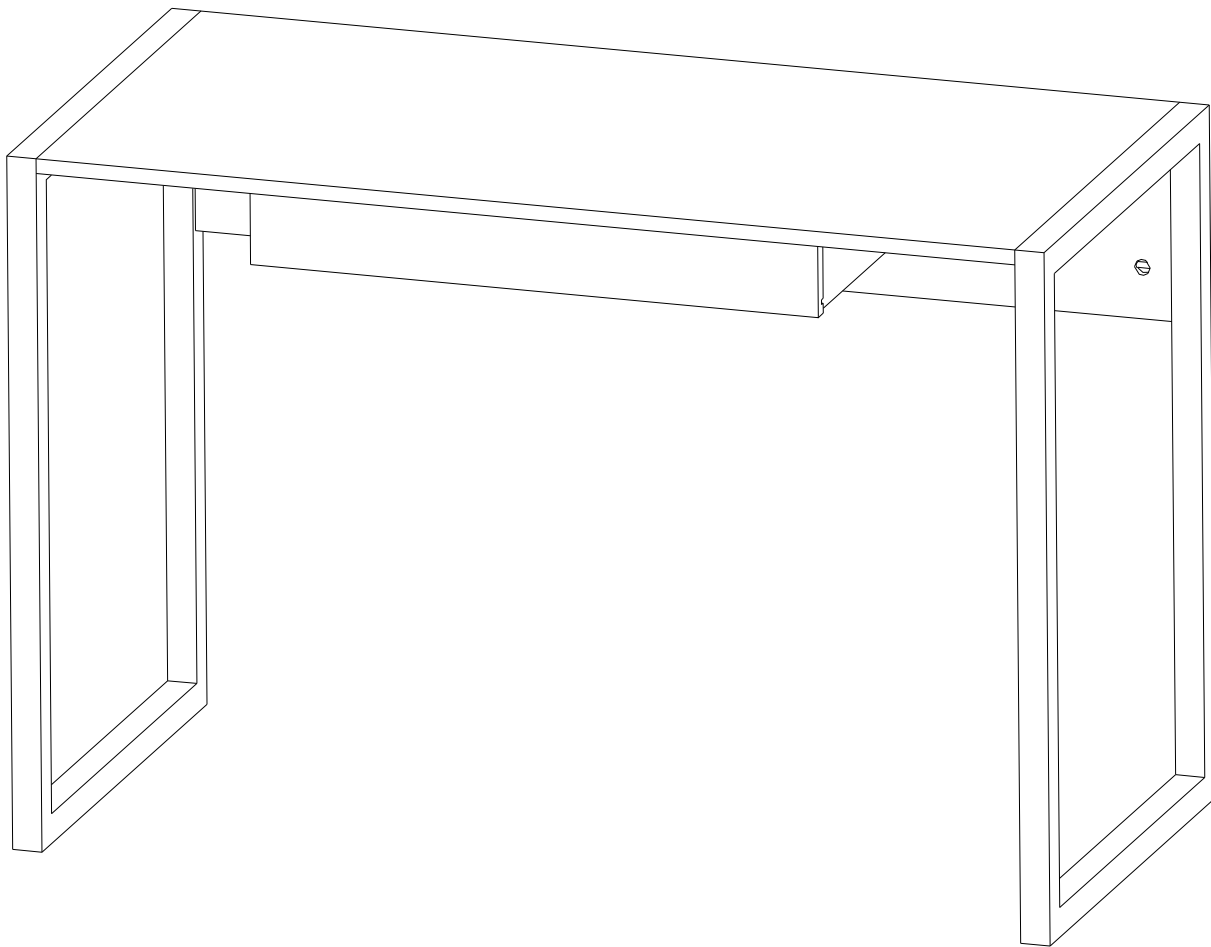
Hardware & Tools required

# EEI -2785 DESK

---

## STEP 8:

Place the assembled desk to the position you desired.



Assembly is complete. Your desk is ready to be used now!