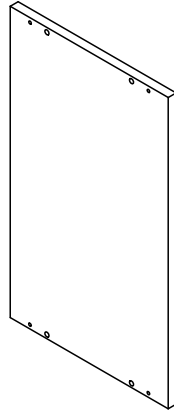
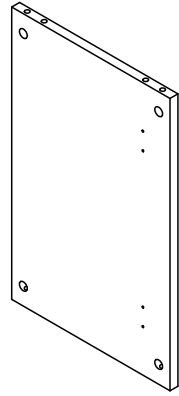


Ax2



Bx2



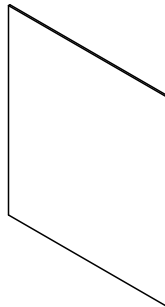
Cx5



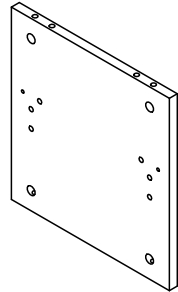
Dx3



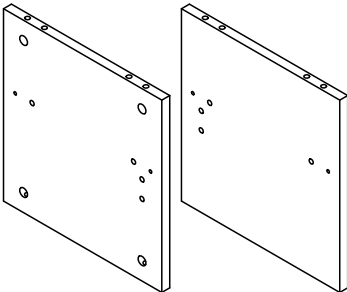
Ex3



Fx5



Gx2



Hx2



Ix36



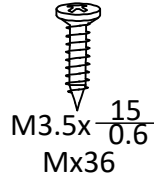
Jx48



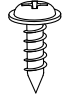
Kx36



Lx3



M3.5x  $\frac{15}{0.6}$   
Mx36



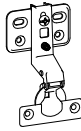
Nx3



Ox8



Px8



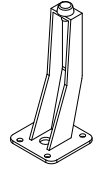
Qx6



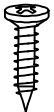
Rx1



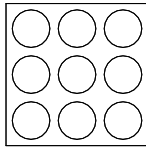
Sx72



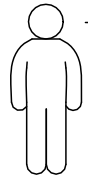
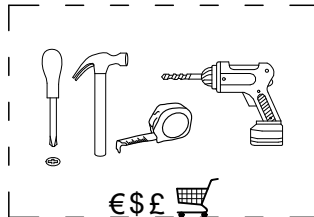
Tx8



M3.5x  $\frac{12}{0.5}$   
Ux32



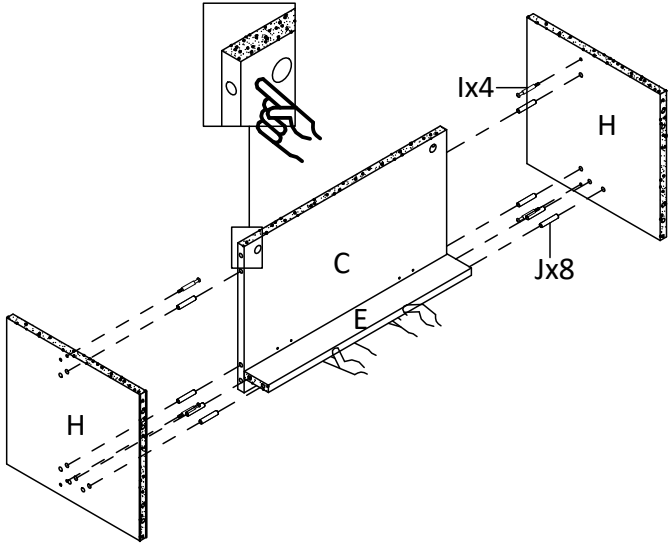
Vx4

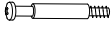



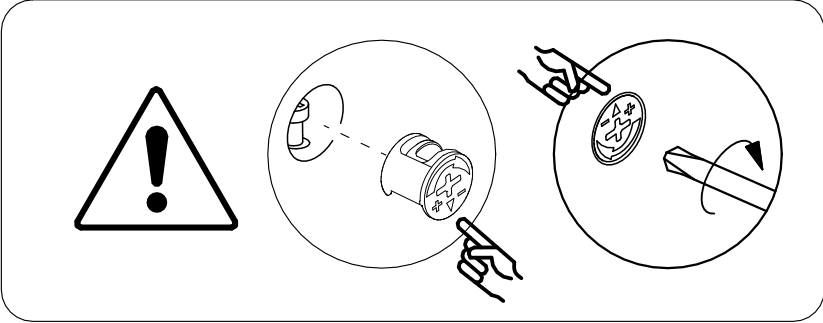
mm  
inch

x2

1

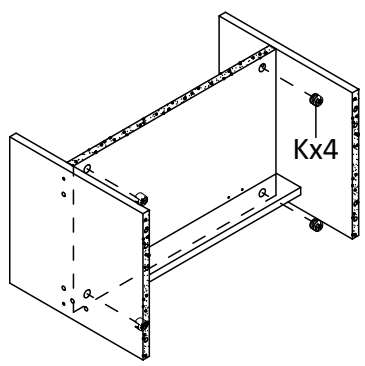


- Ix4 
- Jx8 

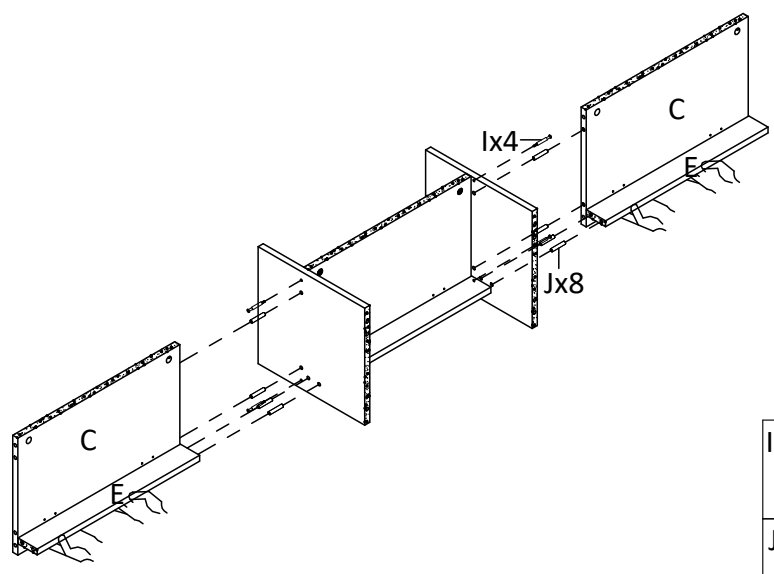


2

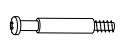
Kx4



3



Ix4

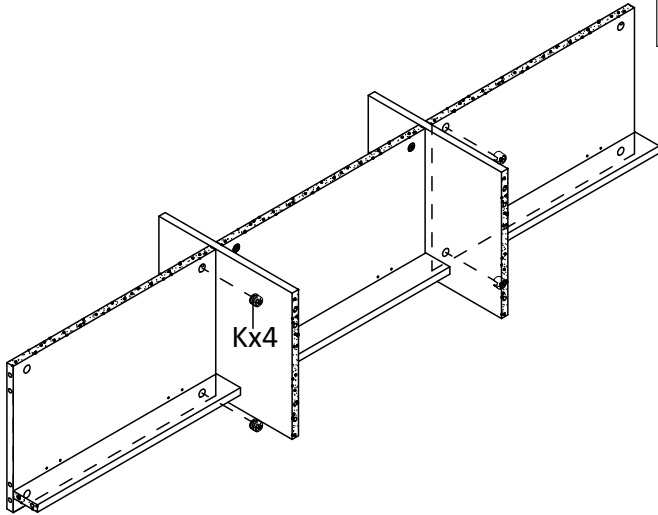


Jx8



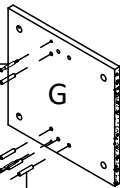
4

Kx4

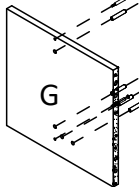


5

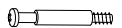
Ix4



Jx8



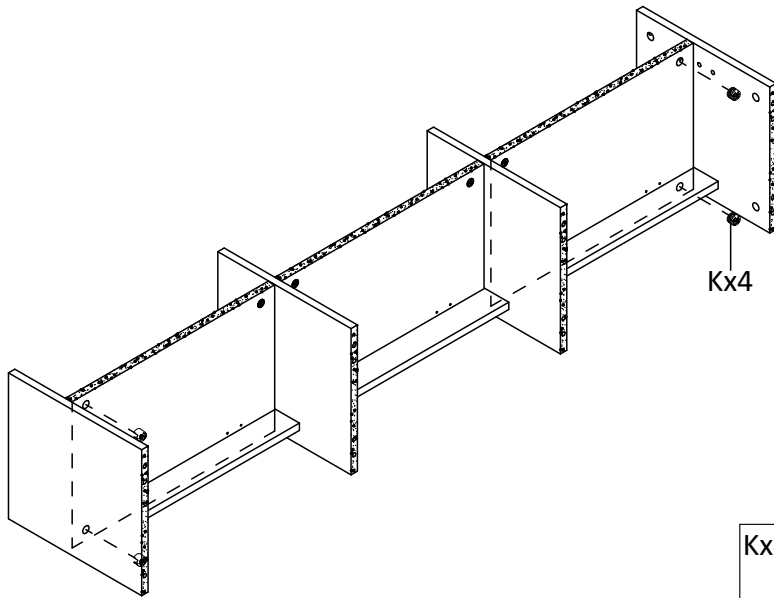
Ix4



Jx8



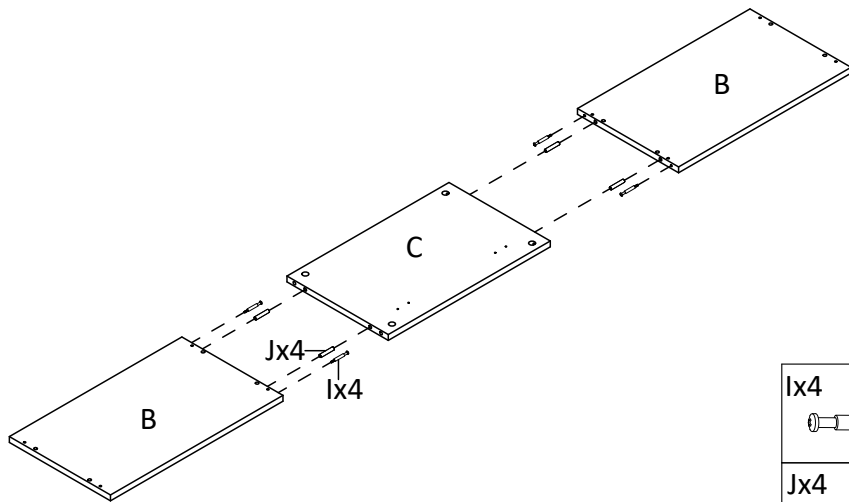
6



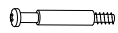
Kx4



7



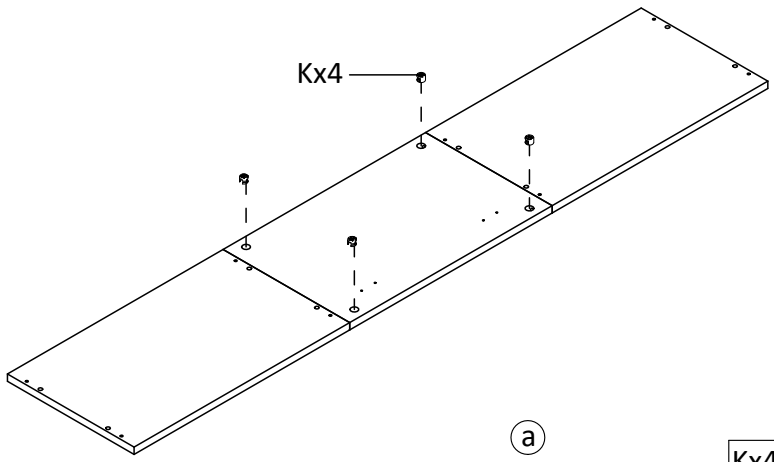
Ix4




Jx4



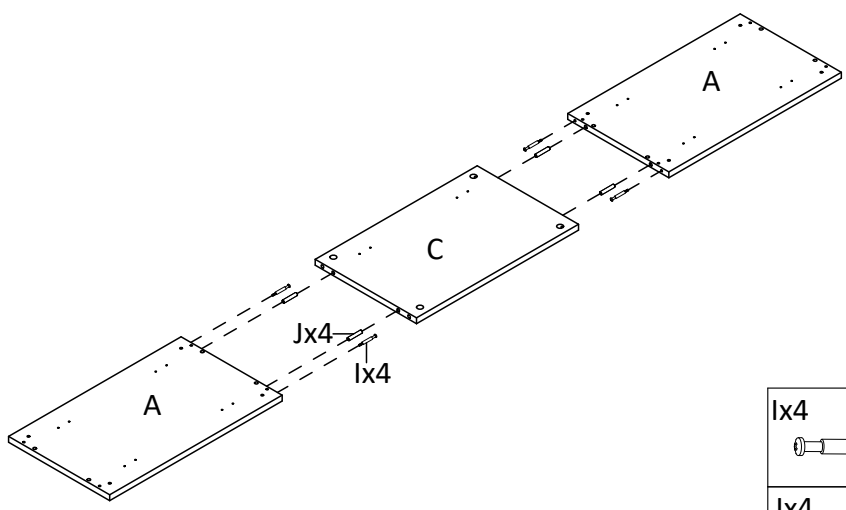
8



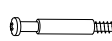
**Kx4**



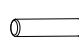
9



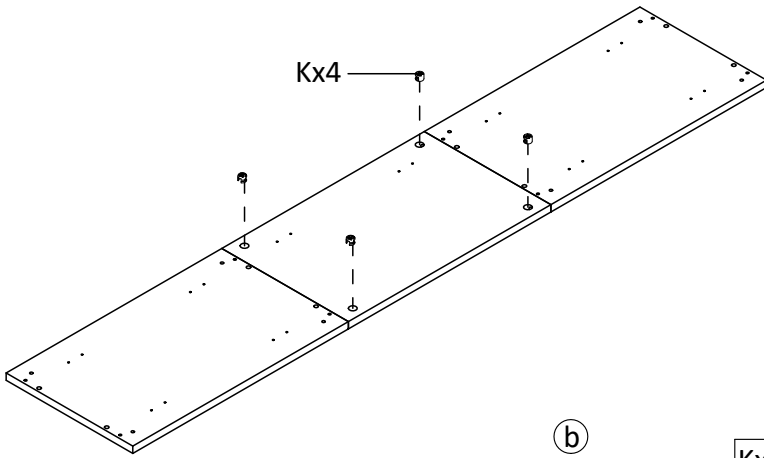
**lx4**



**Jx4**



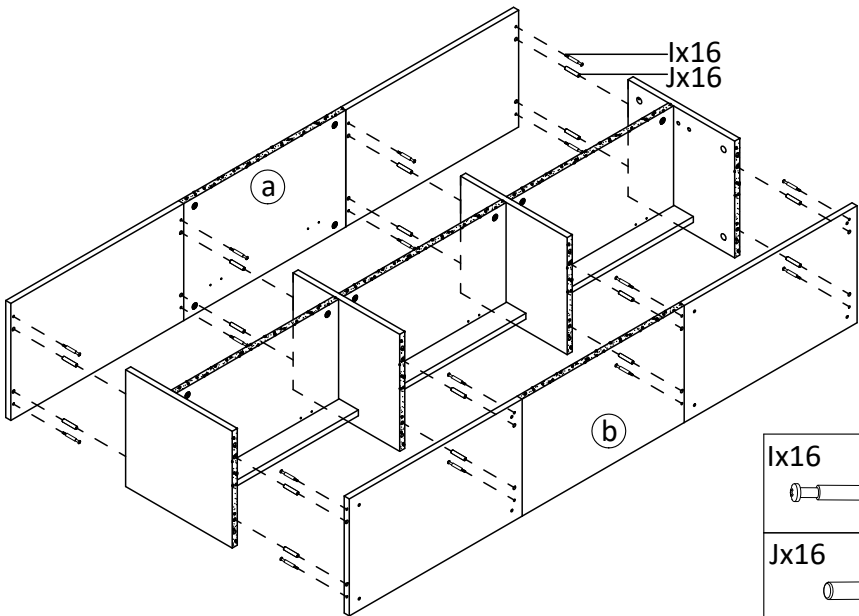
10



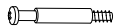
Kx4



11



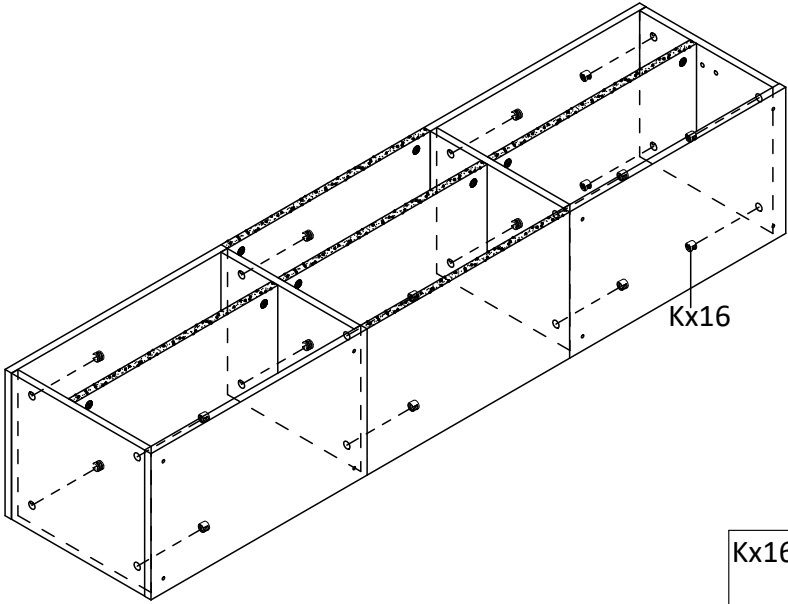
lx16




Jx16







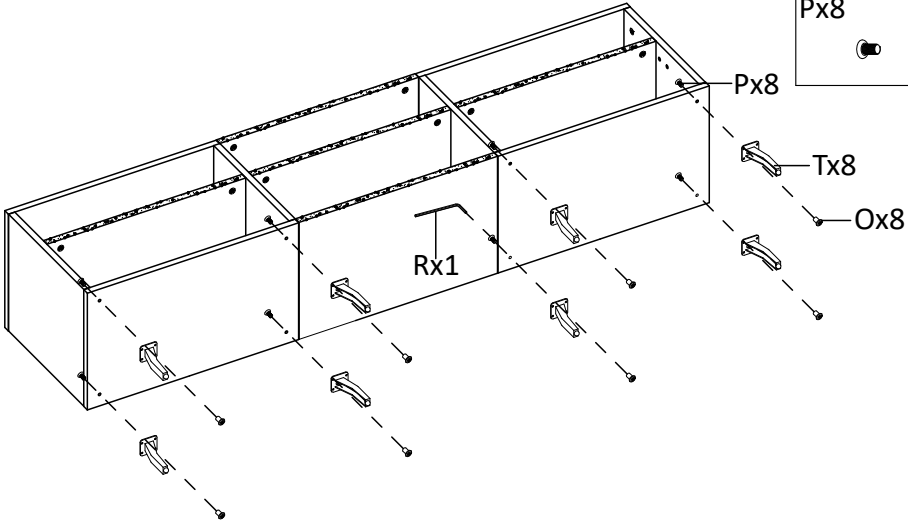
12



Kx16	
------	--

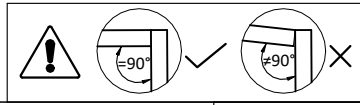
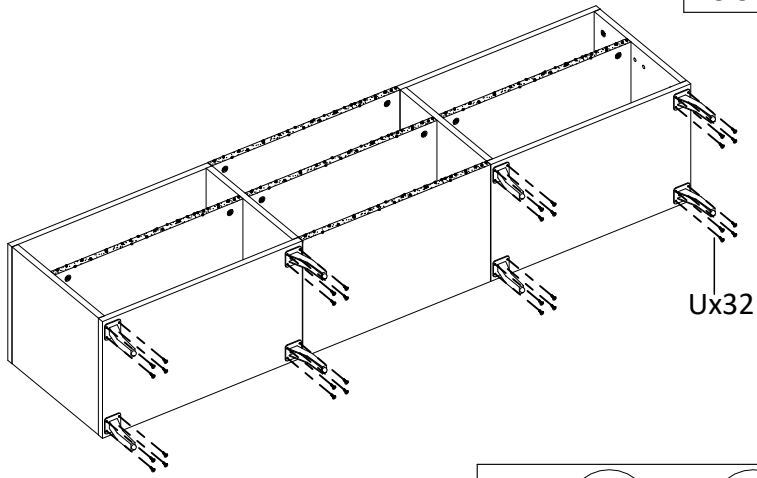
13

Tx8		Rx1		Ox8	
				Px8	

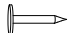


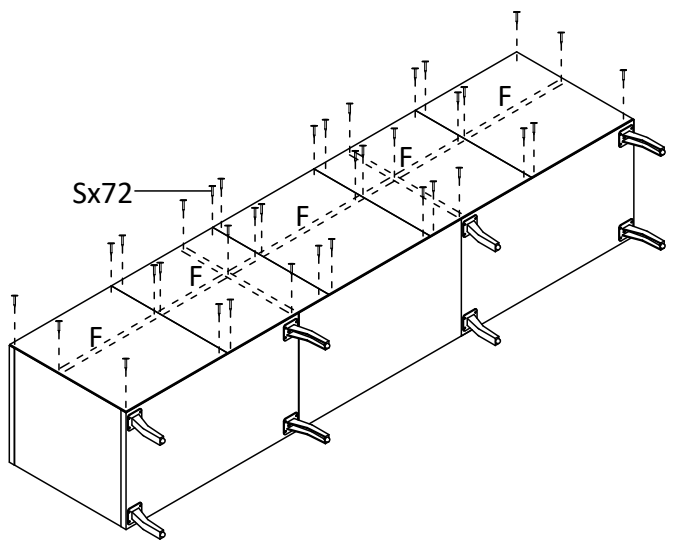
14

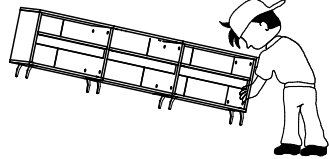
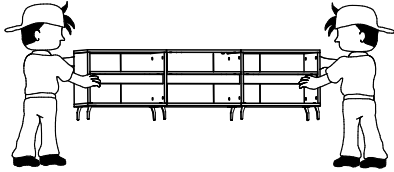
Ux32  
M3.5x  $\frac{12}{0.5}$



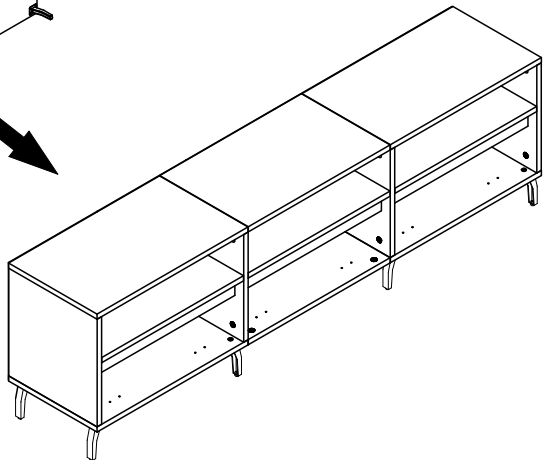
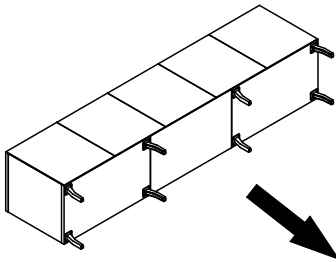
15

Sx72  


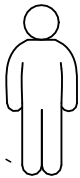




16

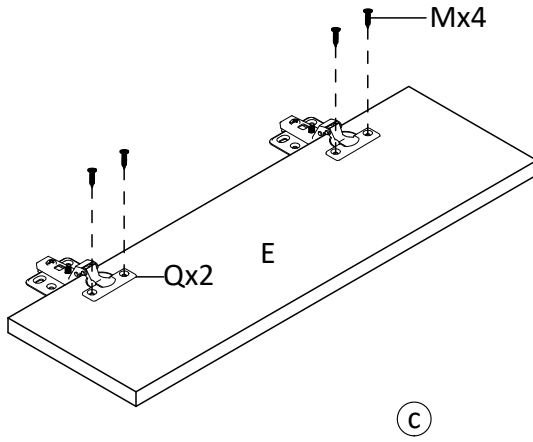


90°



x2

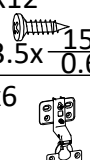
17 x3



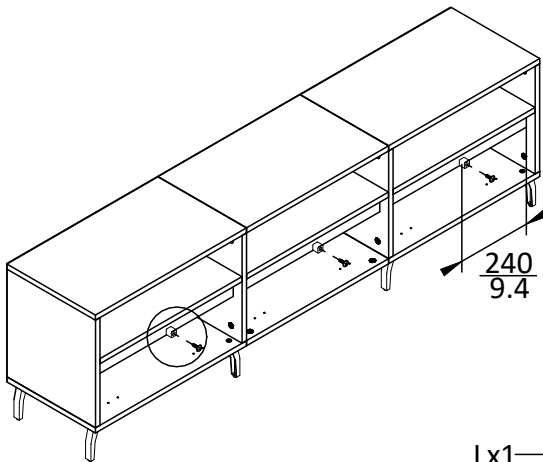
Mx12

M3.5x  $\frac{15}{0.6}$


Qx6



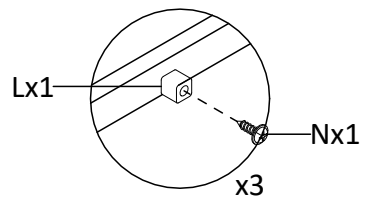

18



Nx3

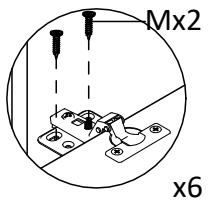
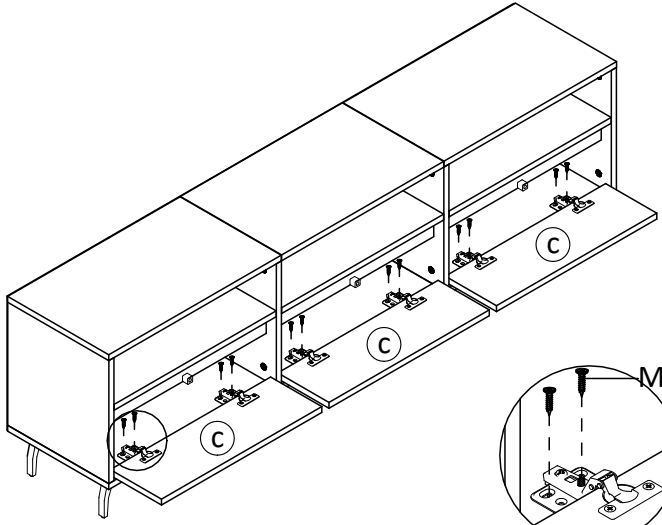


Lx3

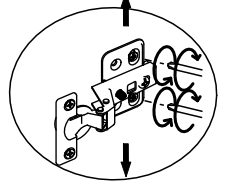
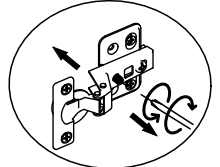
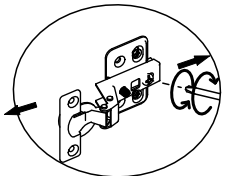
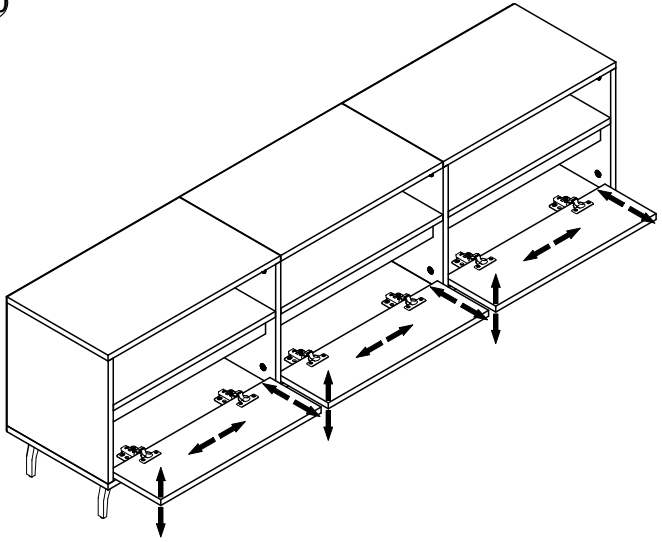


19

Mx12  
M3.5x  $\frac{15}{0.6}$

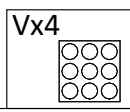
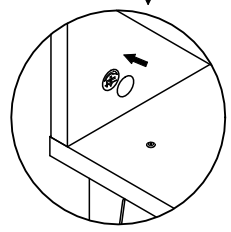
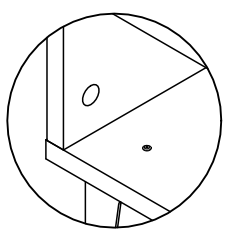
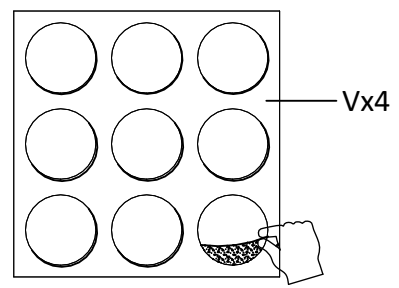
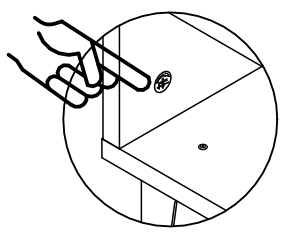
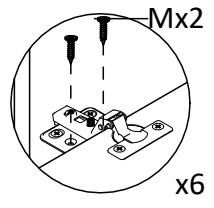
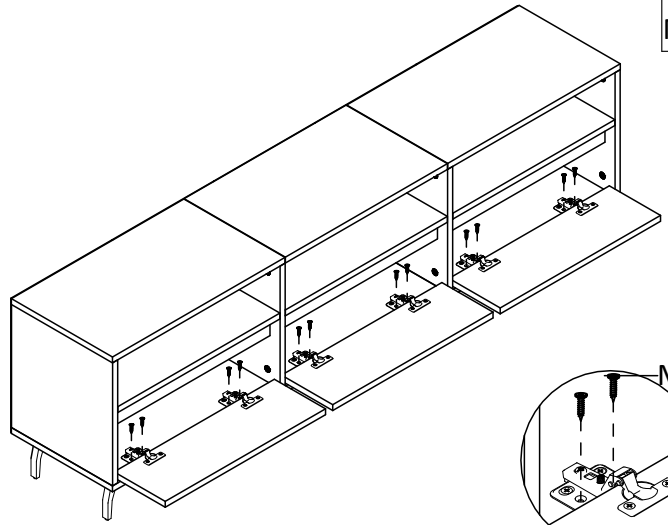


20



21

Mx12  
M3.5x  $\frac{15}{0.6}$



22

