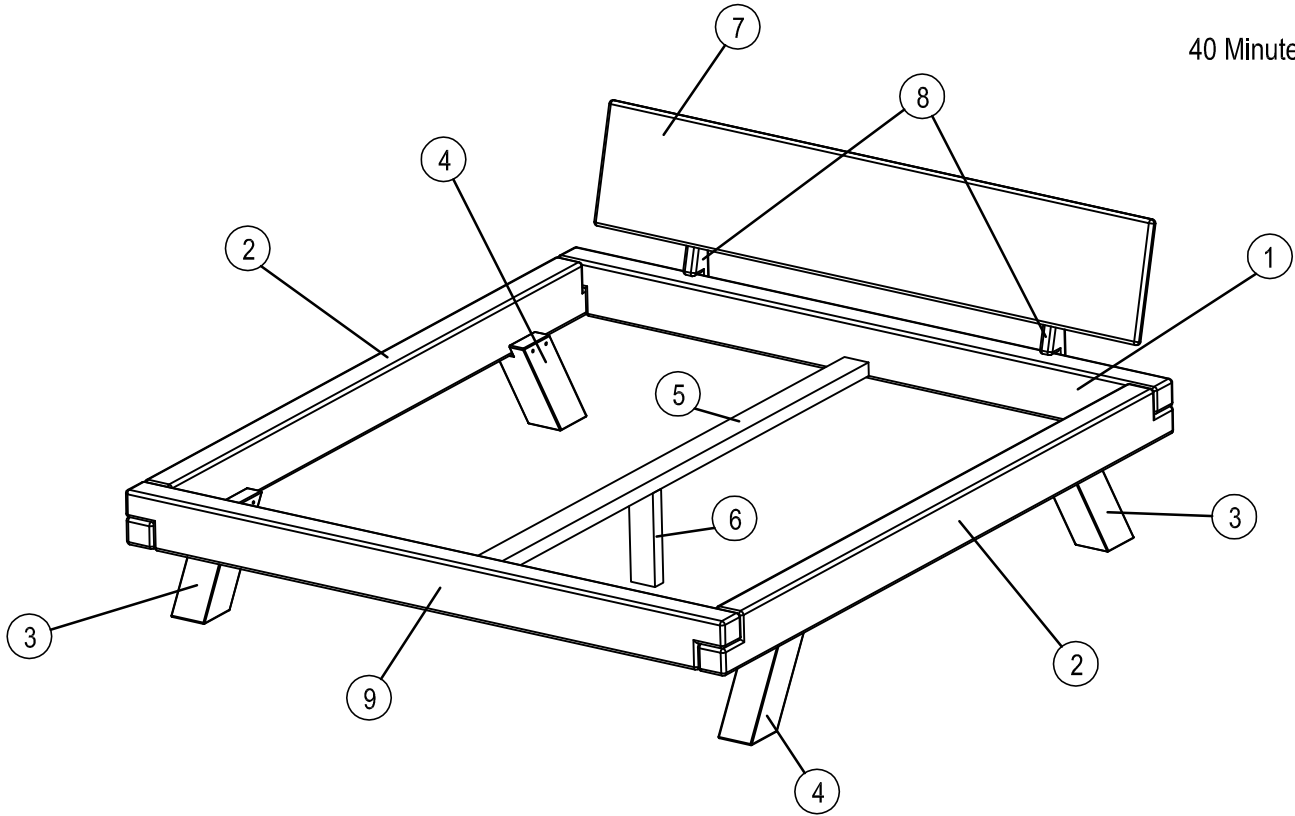


ASSEMBLY INSTRUCTION



40 Minutes

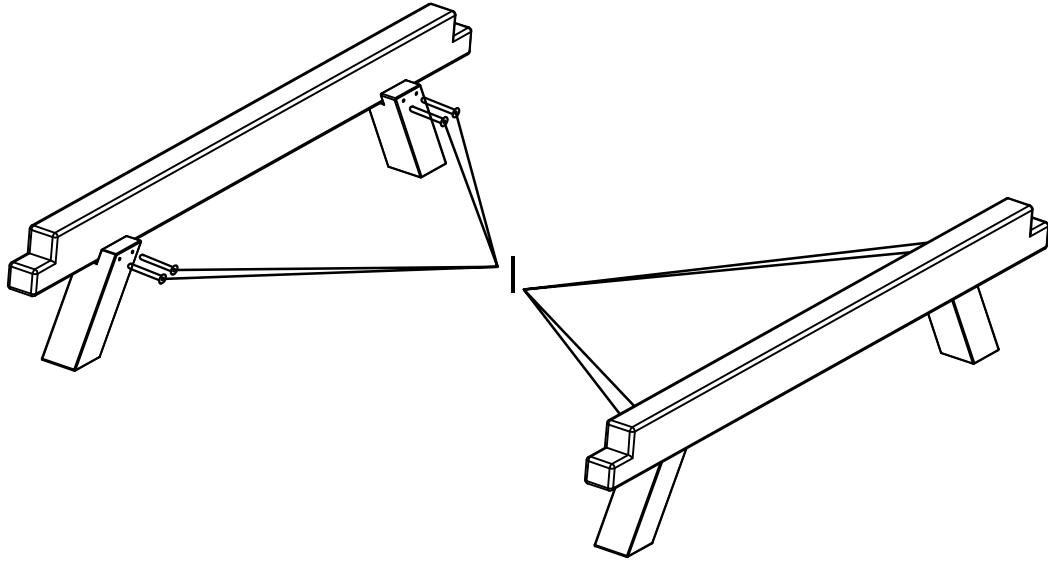


	Anzahl	Bezeichnung
1	1	Kopfbalken
2	2	Seitenbalken
3	2	Fuss 1
4	2	Fuss 2
5	1	Mittelsteg
6	1	Stutzfuss
7	1	Kopfteil leisten
8	2	Kopfteil halter
9	1	Fussbalken

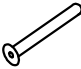
M6x55 Ax10	Ø12x100 Bx4	35x35x90 Cx4	 Dx2	Ø3,5x30 Ex38	Ø6x120 Fx8	 Gx2	Ø6x70 Hx2	M6x75 Ix8
--------------------------	---------------------------	----------------------------	----------------	----------------------------	--------------------------	----------------	-------------------------	-------------------------

SW4 x1

1

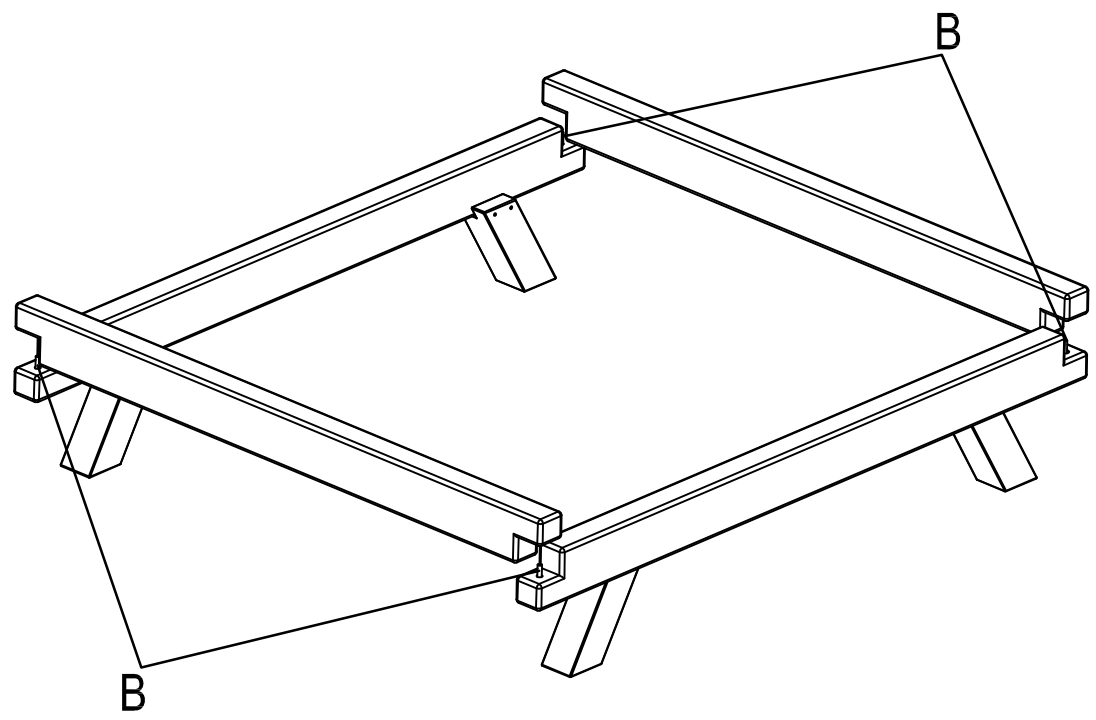


M6x75




Ix8

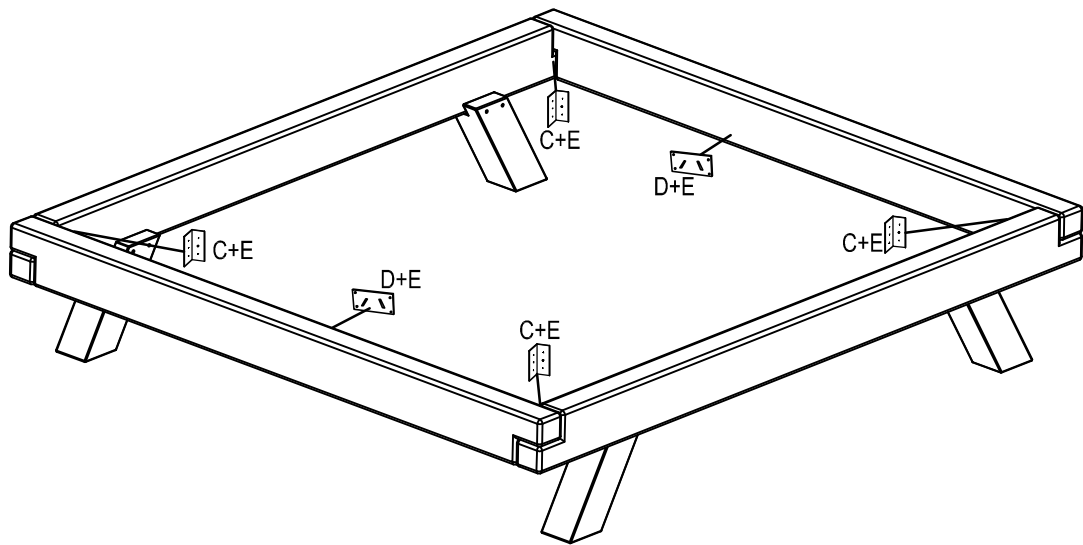
2



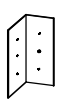
Ø12x100



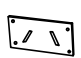
Bx4



35x35x90




Cx4

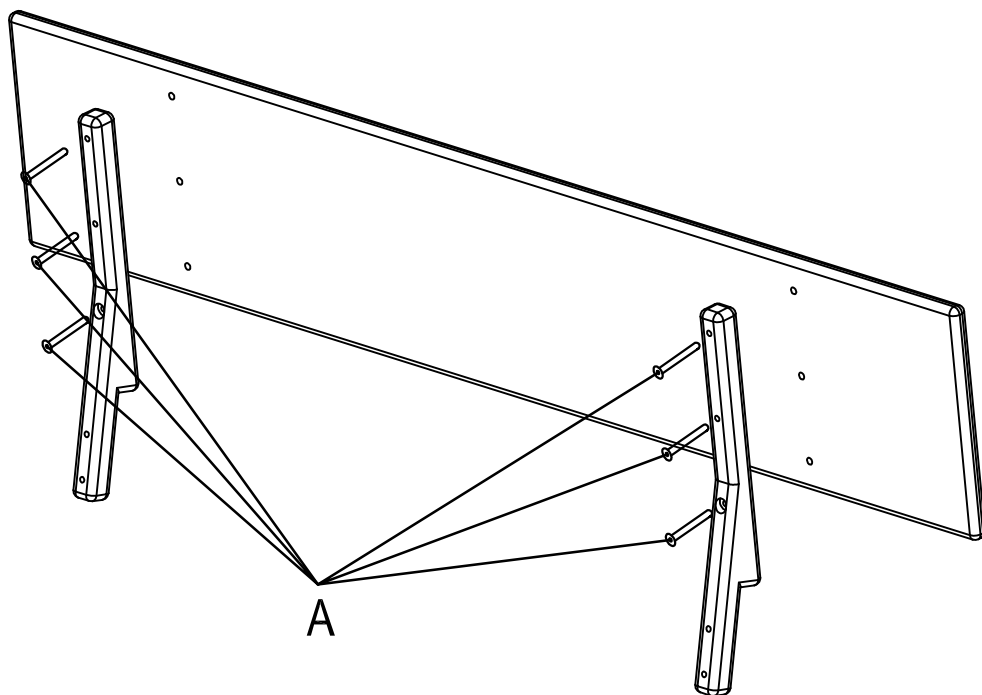


Dx2


Ø3,5x30



Ex32

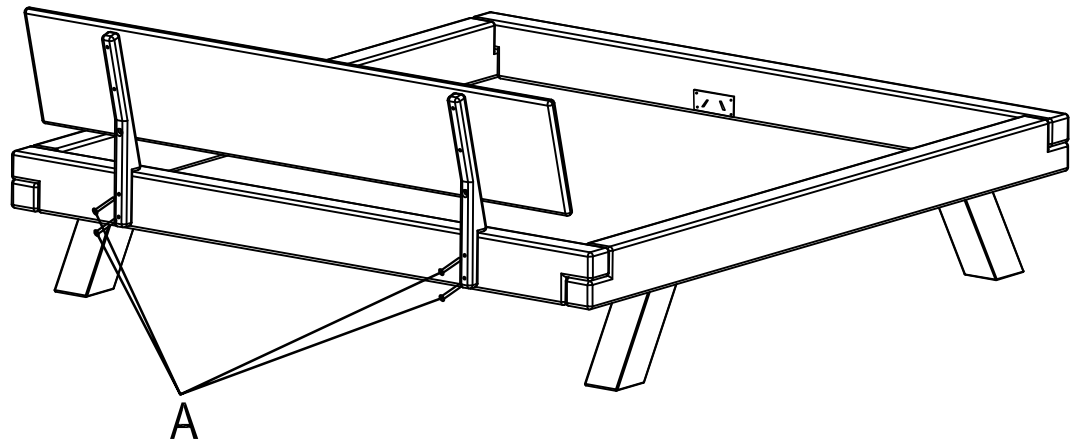


M6x55




Ax6

5

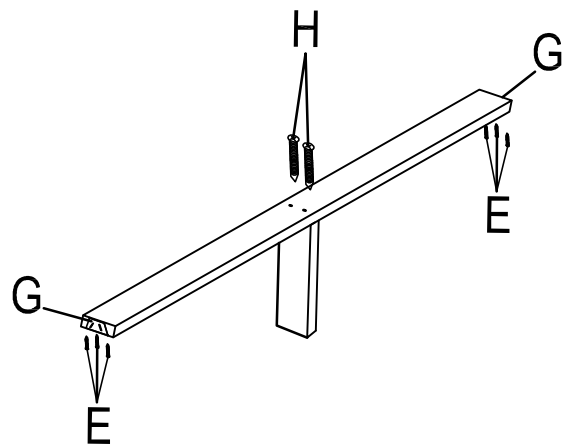
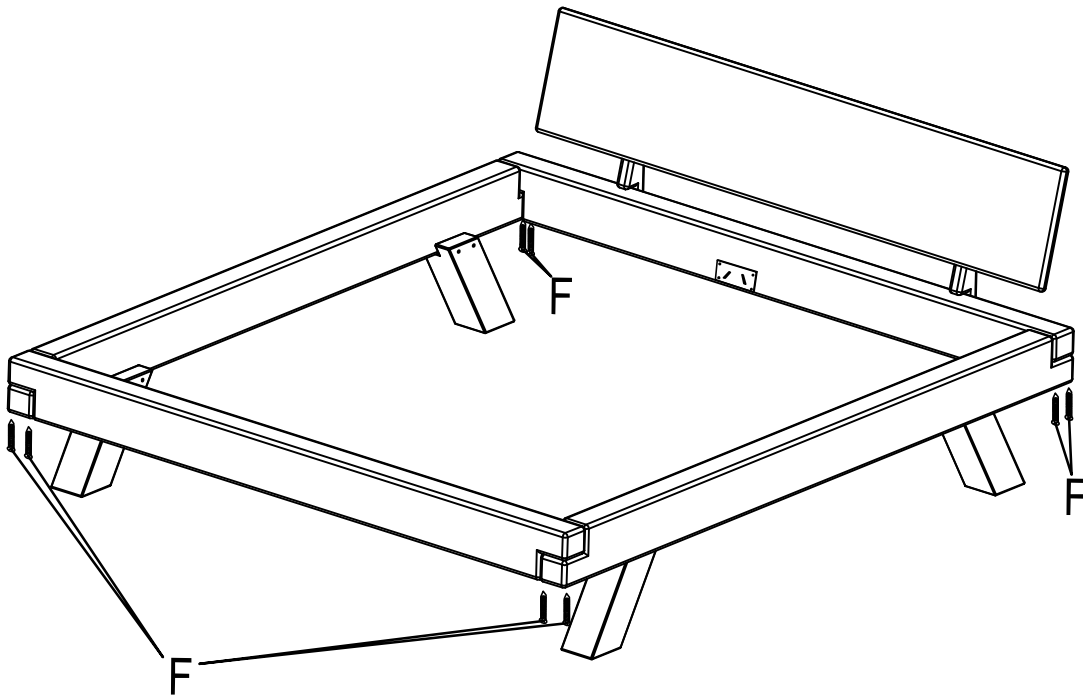






M6x55



Ax4

6



Ø3,5x30	Ø6x120		Ø6x70
			
Ex6	Fx8	Gx2	Hx2

