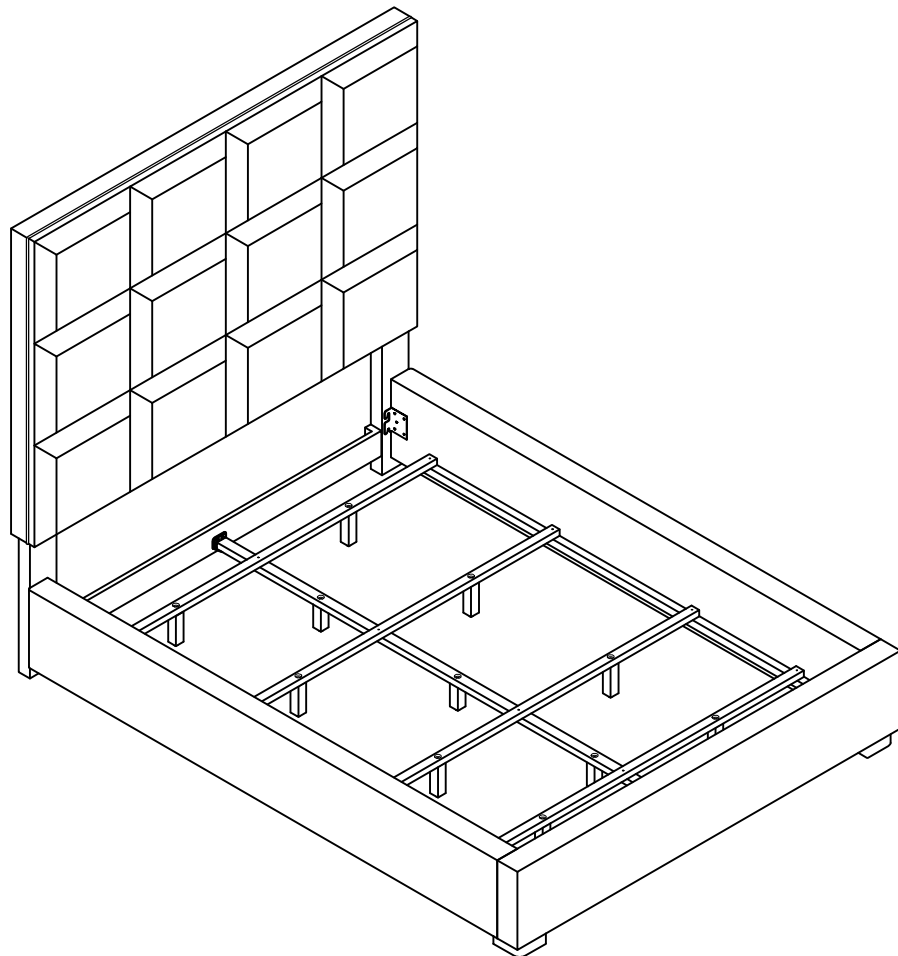


# ASSEMBLY INSTRUCTIONS



*Fine Furniture for every stage of life*

**(B1&B2)**  
**Queen Bed**

# ASSEMBLY INSTRUCTIONS

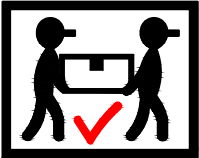
## ASSEMBLY TIPS:

1. Remove hardware from box and sort by size.
2. Please check to see that all hardware and parts are present prior to start of assembly.
3. Please follow attached instructions in the same sequence as numbered to assure fast & easy assembly.



### WARNING!

1. Don't attempt to repair or modify parts that are broken or defective. Please contact the store immediately.
2. This product is for home use only and not intended for commercial establishments.



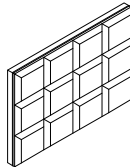
ASSEMBLY TIME

30 MINUTES

## PARTS IDENTIFICATION

### B1(BOX1):

A HEADBOARD PANEL



1PC

C RIGHT HEADBOARD LEG



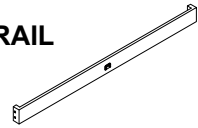
1PC

B LEFT HEADBOARD LEG



1PC

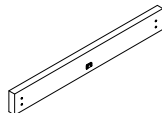
D HEADBOARD BOTTOM RAIL



1PC

### B2(BOX2):

E FOOTBOARD PANEL



1PC

F LEFT FOOTBOARD LEG



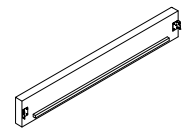
1PC

G RIGHT FOOTBOARD LEG



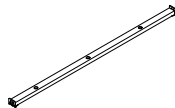
1PC

H BED RAIL



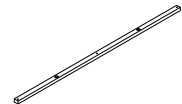
2PCS

I CENTER RAIL



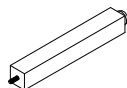
1PC

J BED SLAT



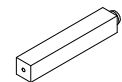
4PCS

K BED SLAT SUPPORT WITH LEVELER



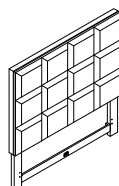
8PCS

L CENTER RAIL SUPPORT WITH LEVELER



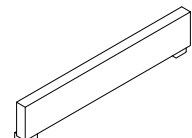
3PCS

HB HEADBOARD COMPLETE



1PC

FB FOOTBOARD COMPLETE



1PC

# ASSEMBLY INSTRUCTIONS

## ASSEMBLY TIPS:

1. Remove hardware from box and sort by size.
2. Please check to see that all hardware and parts are present prior to start of assembly.
3. Please follow attached instructions in the same sequence as numbered to assure fast & easy assembly.







### WARNING!


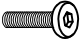





1. Don't attempt to repair or modify parts that are broken or defective. Please contact the store immediately.
2. This product is for home use only and not intended for commercial establishments.

## HARDWARE IDENTIFICATION

### B1(BOX1)-HARDWARE PACK IS LOCATED IN (B1)

1	<b>BOLT</b> (Ø5/16"x50mm-RBW)		12PCS	2	<b>LOCK WASHER</b> (Ø5/16"-RBW)		12PCS
3	<b>FLAT WASHER</b> (Ø5/16"-RBW)		12PCS	4	<b>ALLEN WRENCH</b> (5MM-RBW)		1PC

### B2(BOX2)-HARDWARE PACK IS LOCATED IN (B2)

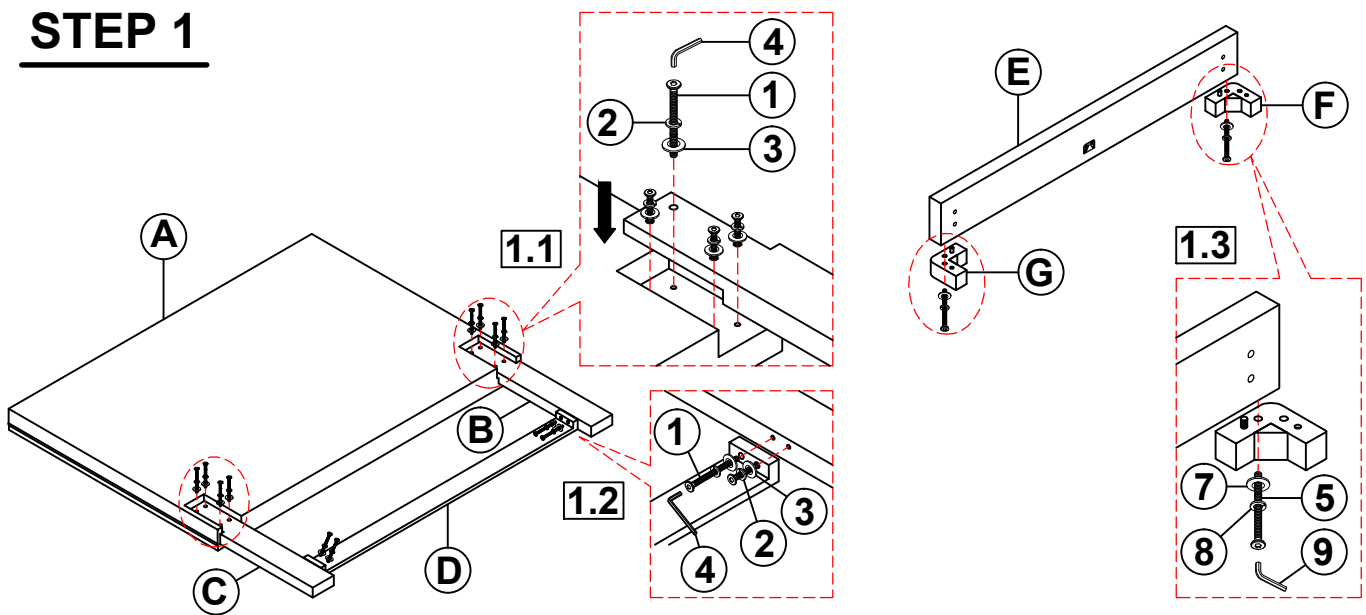
5	<b>LONG BOLT</b> (Ø5/16"x64mm-RBW)		2PCS	6	<b>SHORT BOLT</b> (Ø5/16"x38mm-RBW)		19PCS
7	<b>FLAT WASHER</b> (Ø5/16"-RBW)		21PCS	8	<b>LOCK WASHER</b> (Ø5/16"-RBW)		10PCS
9	<b>ALLEN WRENCH</b> (5MM-RBW)		1PC	10	<b>SHORT PAN HEAD SCREW</b> (M4x19mm-RBW)		4PCS
11	<b>LONG PAN HEAD SCREW</b> (M4x38mm-RBW)		12PCS				

### NOTE:

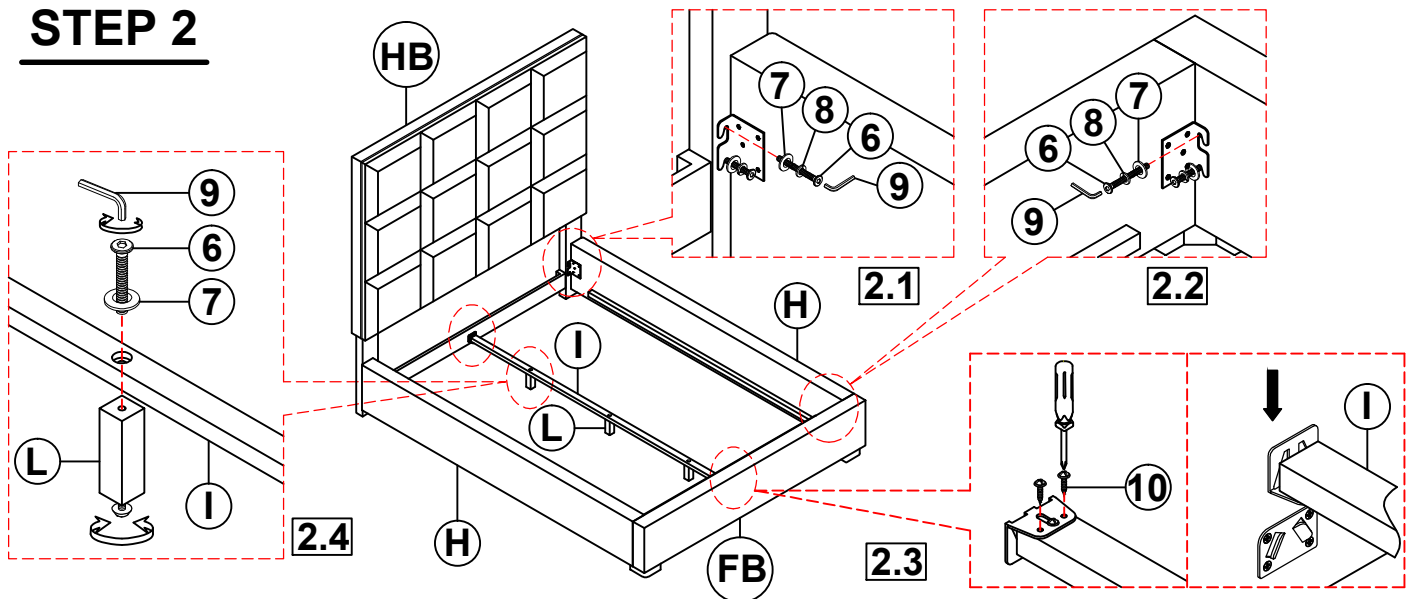
Phillips head screw driver is required in the assembly process; however, manufacturer does not provide this item.

# ASSEMBLY INSTRUCTIONS

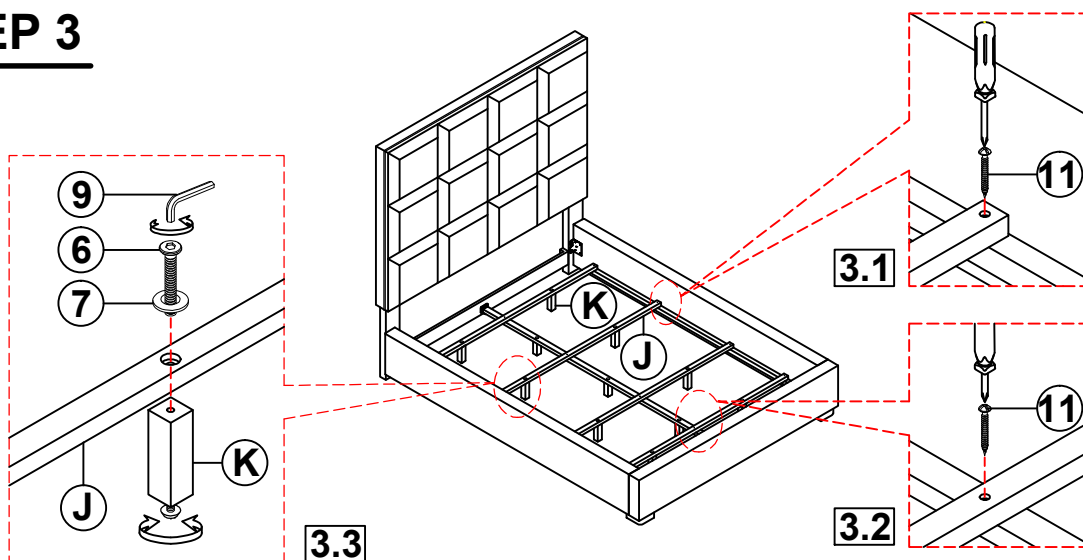
## STEP 1



## STEP 2



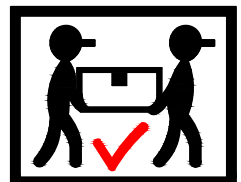
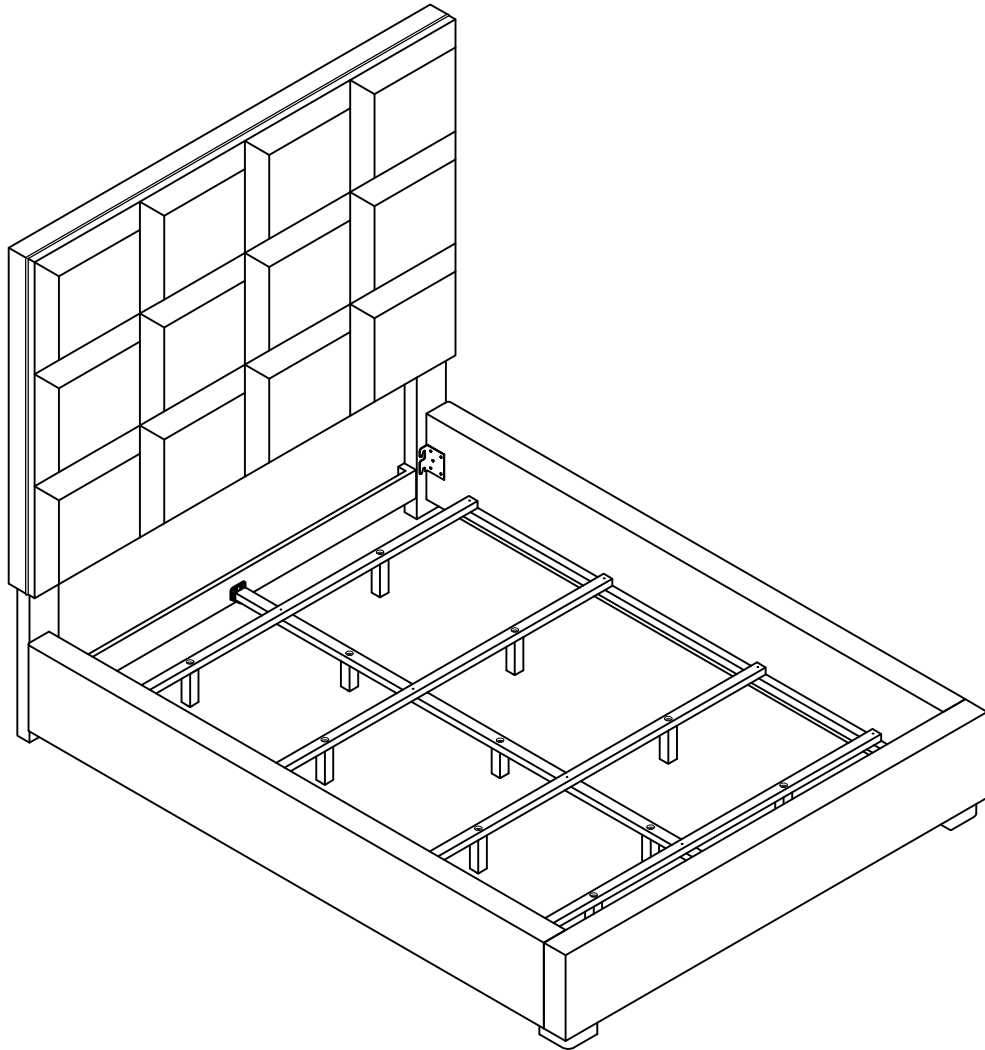
## STEP 3



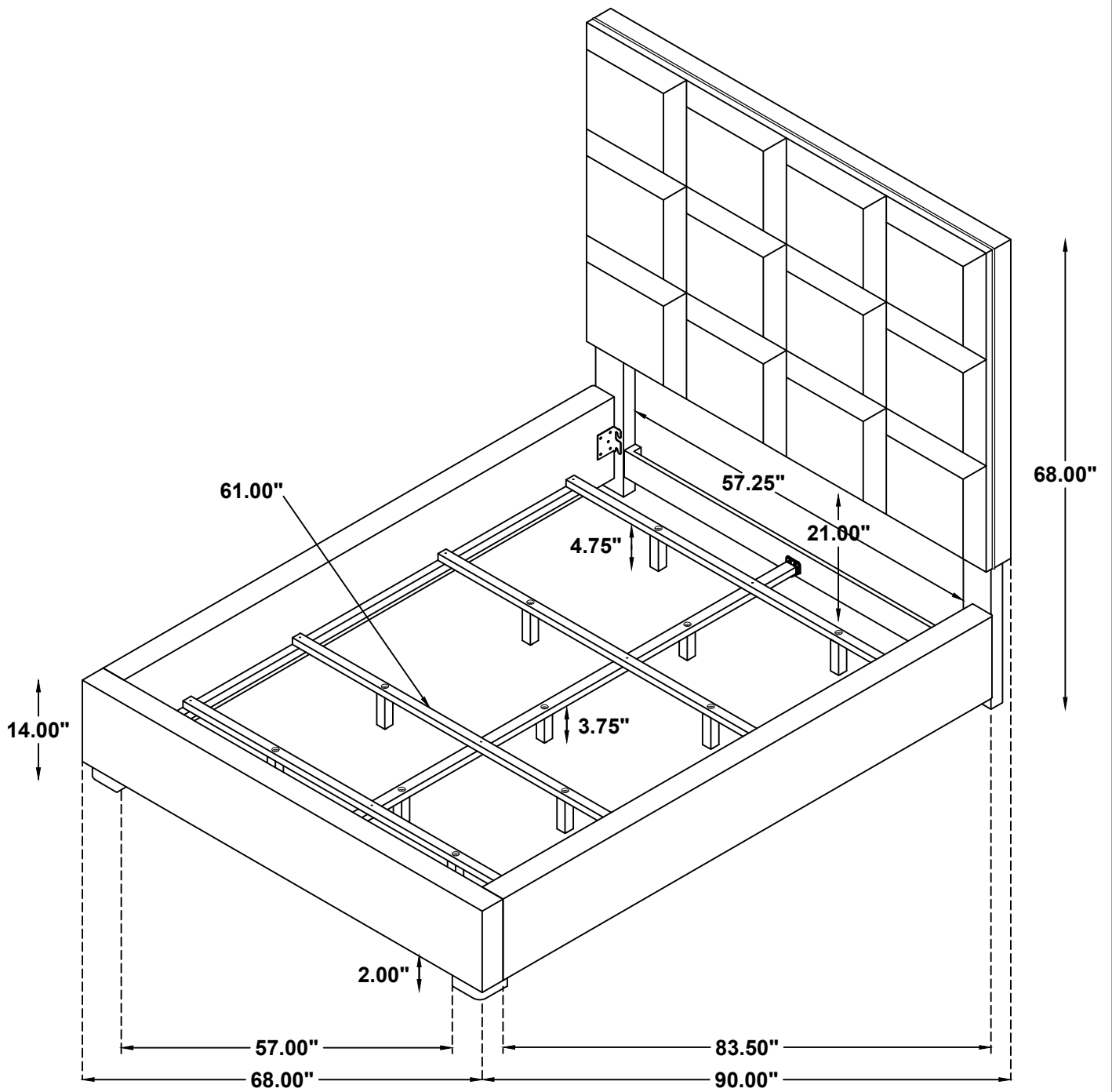
# ASSEMBLY INSTRUCTIONS

## STEP 4

### COMPLETE



Inner Size : 61.00"W X 80.50"D



Note :Dimension tolerance  $\pm 5\%$