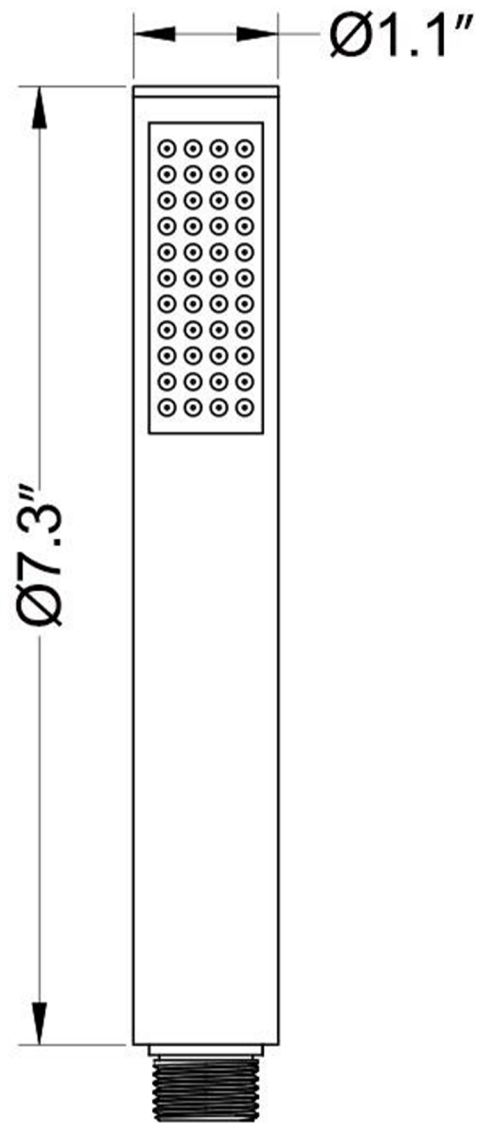
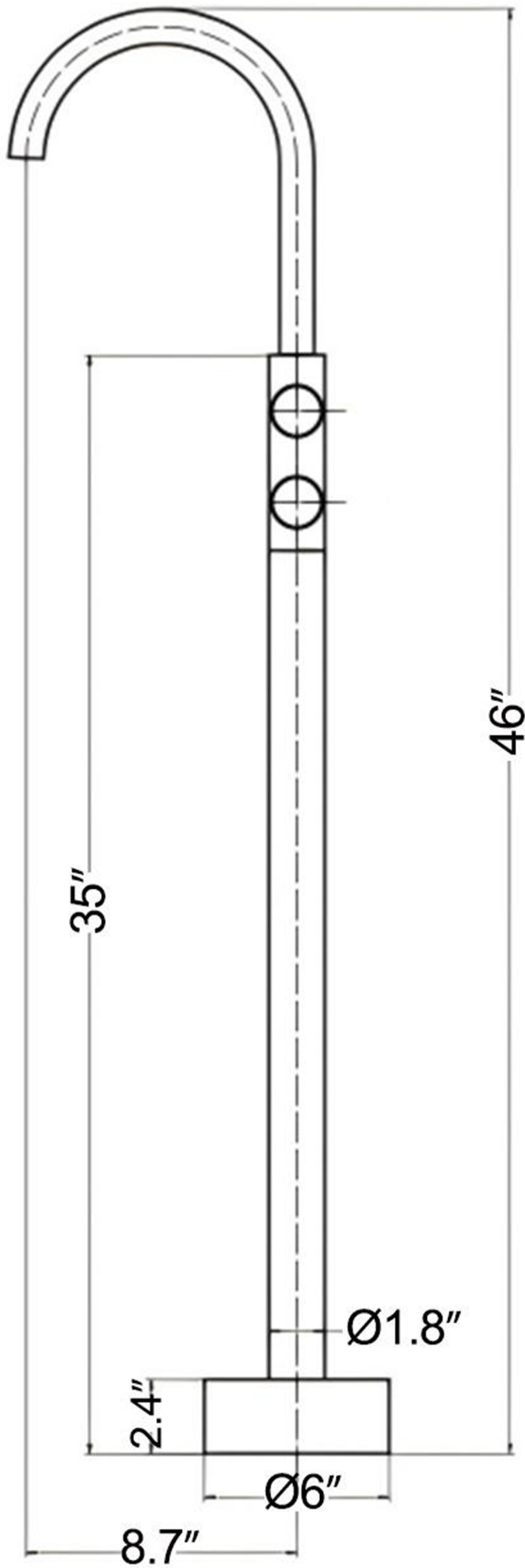


User's Manual



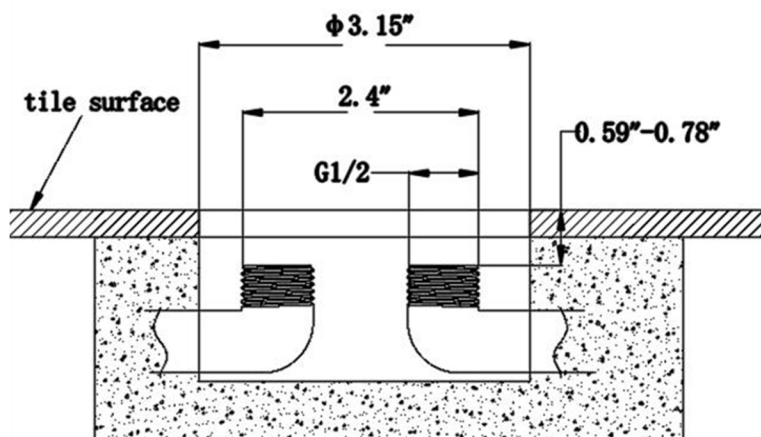
**Please Do Not Return the Product to the Store.
Contact us with any questions.**

Product size

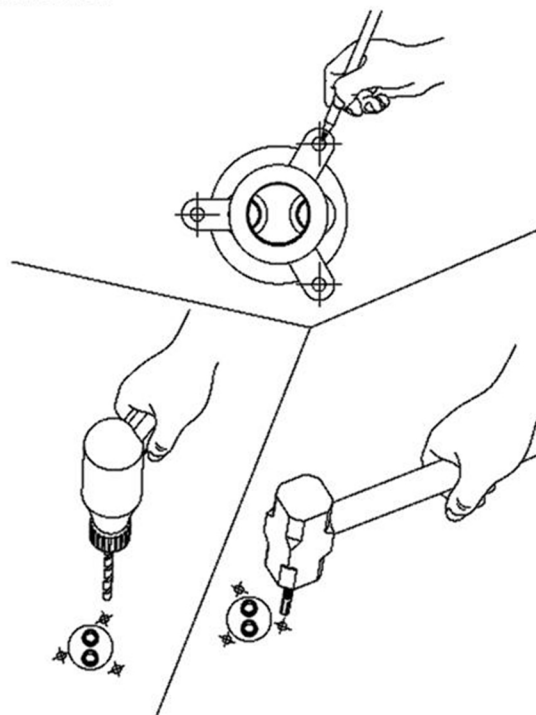


INSTALLATION STEPS

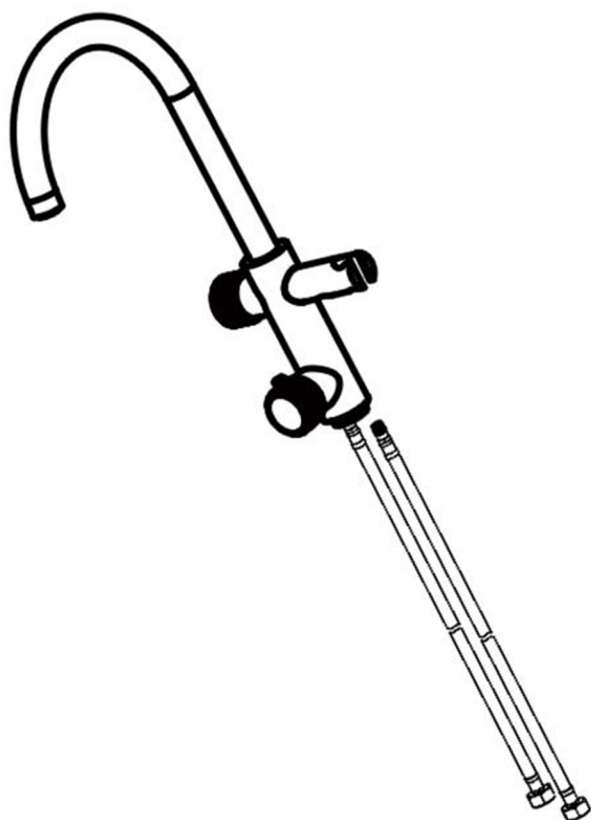
1. The construction of pre-embedded pipes on the ground should follow the diagram below, with the thread of the water outlet being lower than the tile surface.



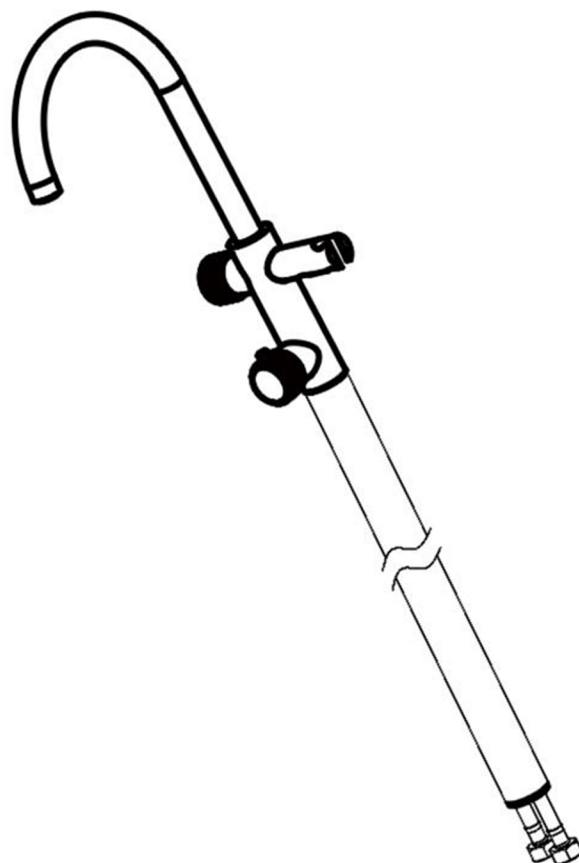
2. Mark the positions for the three claw holes and proceed with drilling. When drilling, please avoid the pre-embedded pipelines. Meanwhile, adjust the direction of the faucet and bathtub, and then install the expansion screws.



3. Tighten the water inlet pipe onto the main body.

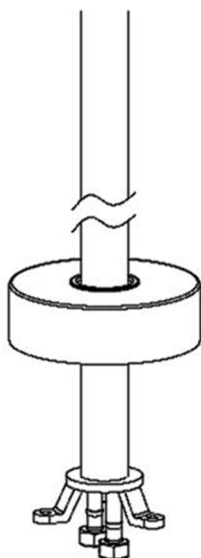


4. Tighten the connecting post again.

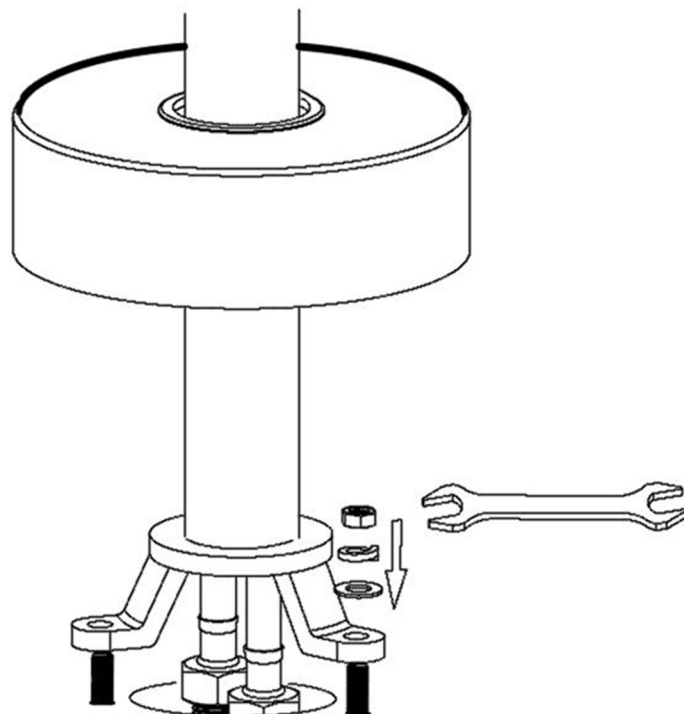


INSTALLATION STEPS

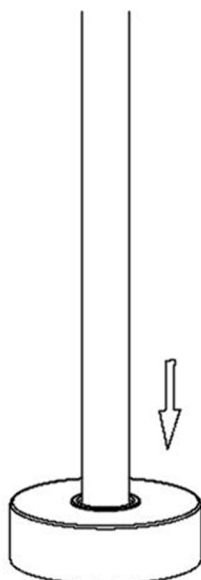
5. Install the bottom cover and the three claws in order. Apply anaerobic adhesive on the threads of the three claws.



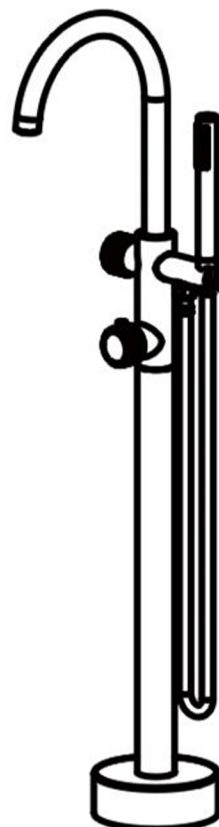
6. Tighten the water inlet pipe, and then lock the three claws securely. (Distinguish between cold and hot water pipes)



7. Press down the bottom cover to make it flush with the tile surface.



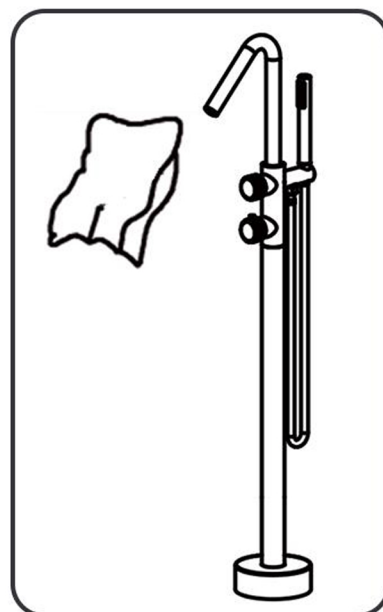
8. Install the handheld shower head and shower hose.



Care and maintenance

To maintain a clean, bright appearance and optimal performance of your shower head, please follow these care instructions:

1. Rinse with water only and dry with a soft cotton cloth.
2. For surface dirt or limescale buildup, use a mild liquid detergent or a colorless, non-abrasive glass cleaner. A non-abrasive polish may also be used.
3. Do NOT use: abrasive detergents or polishes, emery cloth, paper towels, scrapers, etc.
4. Do NOT use: acidic cleaners, or cleaners and soaps containing insoluble granules.
5. Mineral deposits may accumulate in the shower head over time, reducing water flow. If this occurs, unscrew the shower head, rinse it thoroughly with water, and screw it back into place.





**Please Do Not Return the Product to the Store.
Contact us with any questions.**