

TV/MONITOR RISER



ASSEMBLY INSTRUCTIONS

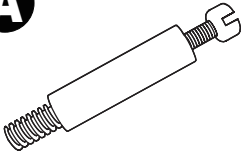
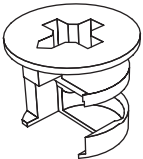
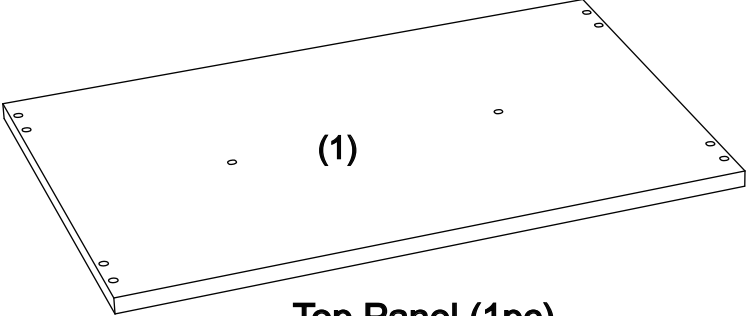
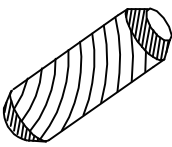
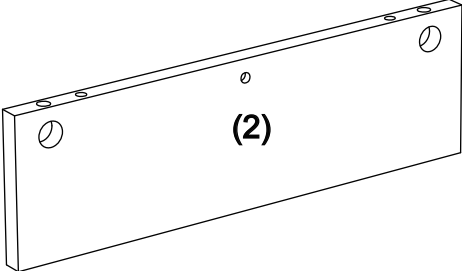
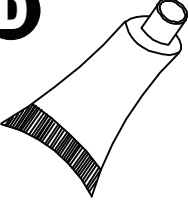
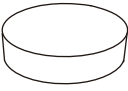
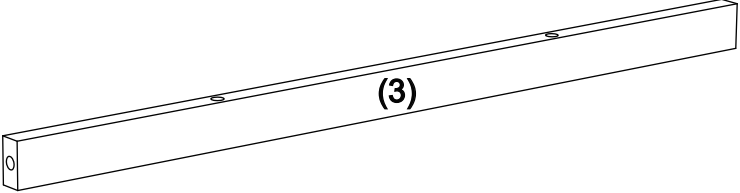
We have designed our furniture with you , the customer in mind . Our clear , easy to follow , step by step instructions will guide you through the project from start to finish . Feel confident that this will be a fun and rewarding project . The final product will be a quality piece of furniture that will go together smoothly and give years of enjoyment .



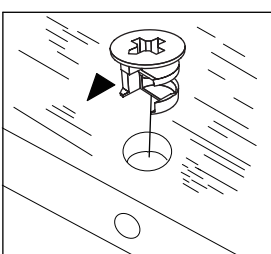
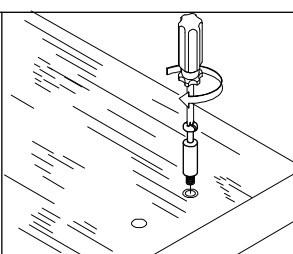
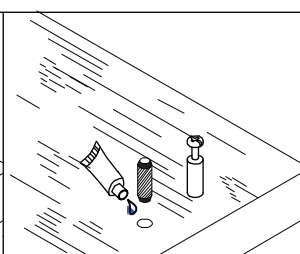
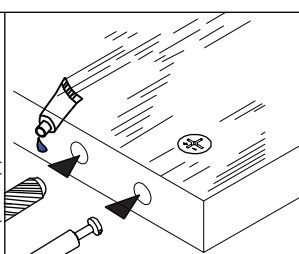
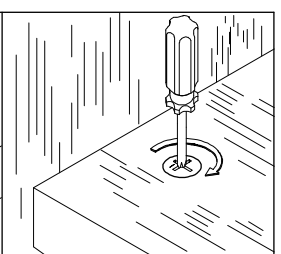
Please do not return to the store
Broken or missing parts?
Need help with assembly?

Hardware List

Part List

<p>A</p> 	
<p>Cam bolt (6pcs)</p>	
<p>B</p> 	 <p>(1)</p> <p>Top Panel (1pc)</p>
<p>Cam lock (6pcs)</p>	
<p>C</p> 	 <p>(2)</p> <p>Side Panel (2pcs)</p>
<p>Wood dowel (6pcs)</p>	
<p>D</p> 	
<p>Glue (1pc)</p>	
<p>E</p> 	 <p>(3)</p> <p>Support Panel (1pc)</p>
<p>Plastic foot (4pcs)</p>	

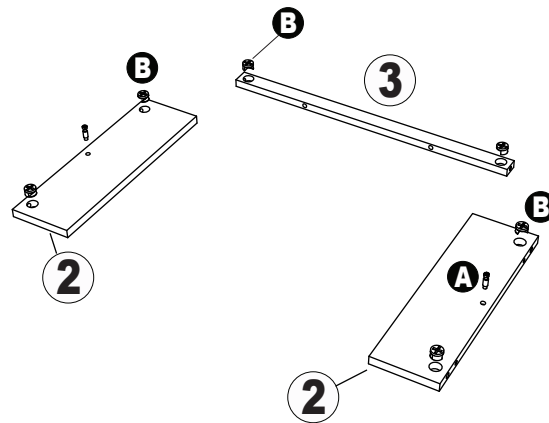
Assembling the unit with camlocks and wood dowels.

				
<p>Insert camlock, camlock must face bolt hole</p>	<p>Gently screw cam dowel into the threaded anchor</p>	<p>Lightly glue one end of wood dowel and tap into hole.</p>	<p>Lightly glue dowel and connect to second panel by inserting dowels into holes</p>	<p>Gently screw the cam clockwise into locked position. Do not overtighten.</p>

Step1

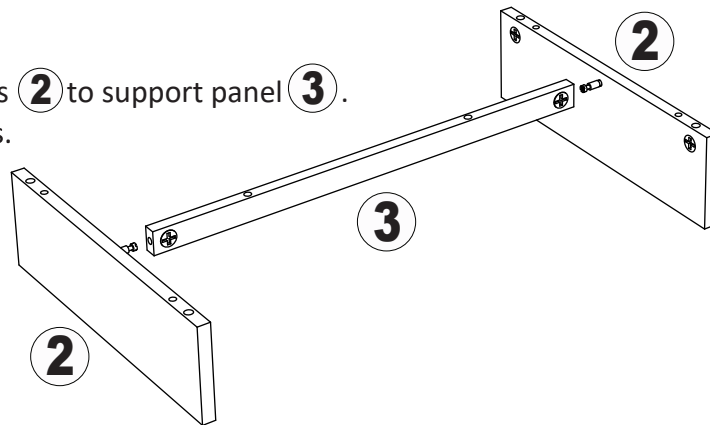
1. Insert Camlock **B** into Side Panels **2** and Support Panel **3**.

2. Screw Cambolts **A** into Side Panels **2**.



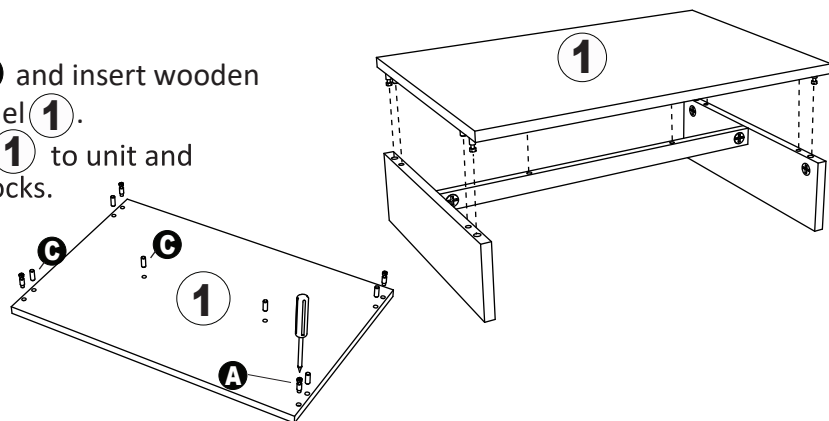
Step2

1. Connect two side panels **2** to support panel **3**.
2. Gently tighten camlocks.



Step3

1. Screw Cambolt **A** and insert wooden dowels into Top Panel **1**.
2. Attach top panel **1** to unit and gently tighten camlocks.



Step4

1. Attach plastic Feet **E** to unit as shown.
2. Turn unit over and enjoy.

