

ASSEMBLY INSTRUCTIONS



Fine Furniture for every stage of life

Easter King Bed

ASSEMBLY INSTRUCTIONS

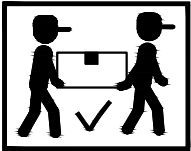
ASSEMBLY TIPS:

- 1.Remove hardware from box and sort by size.
- 2.Please check to see that all hardware and parts are present prior to start of assembly.
- 3.Please follow attached instructions in the same sequence as numbered to assure fast & easy assembly.



WARNING!

- 1.Don't attempt to repair or modify parts that are broken or defective. Please contact the store immediately.
- 2.This product is for home use only and not intended for commercial establishments.



ASSEMBLY TIME

20 MINUTES

PARTS IDENTIFICATION

B1 (BOX 1)

A HEADBOARD PANEL		1PC	C RIGHT HEADBOARD LEG		1PC
B LEFT HEADBOARD LEG		1PC	D HEADBOARD BOTTOM RAIL		1PC

B2 (BOX 2)

E FOOTBOARD		1PC
-------------	--	-----

B3 (BOX 3)

F BED RAIL		2PCS	H BED SLAT SUPPORT WITH LEVELER		8PCS
G BED SLAT		4PCS	E FROM BOX 2 FOOTBOARD		1PC
HB FROM BOX 1 HEADBOARD COMPLETE		1PC			

ASSEMBLY INSTRUCTIONS

ASSEMBLY TIPS:

- 1.Remove hardware from box and sort by size.
- 2.Please check to see that all hardware and parts are present prior to start of assembly.
- 3.Please follow attached instructions in the same sequence as numbered to assure fast & easy assembly.

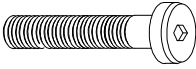
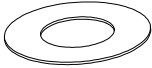
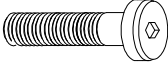
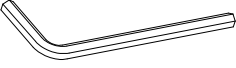



WARNING!

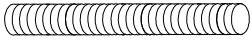

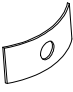
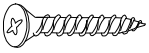


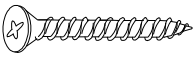
- 1.Don't attempt to repair or modify parts that are broken or defective. Please contact the store immediately.
- 2.This product is for home use only and not intended for commercial establishments.

HARDWARE IDENTIFICATION

BOX 1 - HARDWARE PACK

1	LONG BOLT (5/16" x 45mm - BLK)		10PCS	4	FLAT WASHER (5/16" x 19 x 1.5mm - BLK)		14PCS
2	SHORT BOLT (5/16" x 38mm - BLK)		4PCS	5	ALLEN WRENCH (74 x 30 x 4mm - BLK)		1PC
3	LOCK WASHER (5/16" - BLK)		14PCS				

BOX 3 - HARDWARE PACK

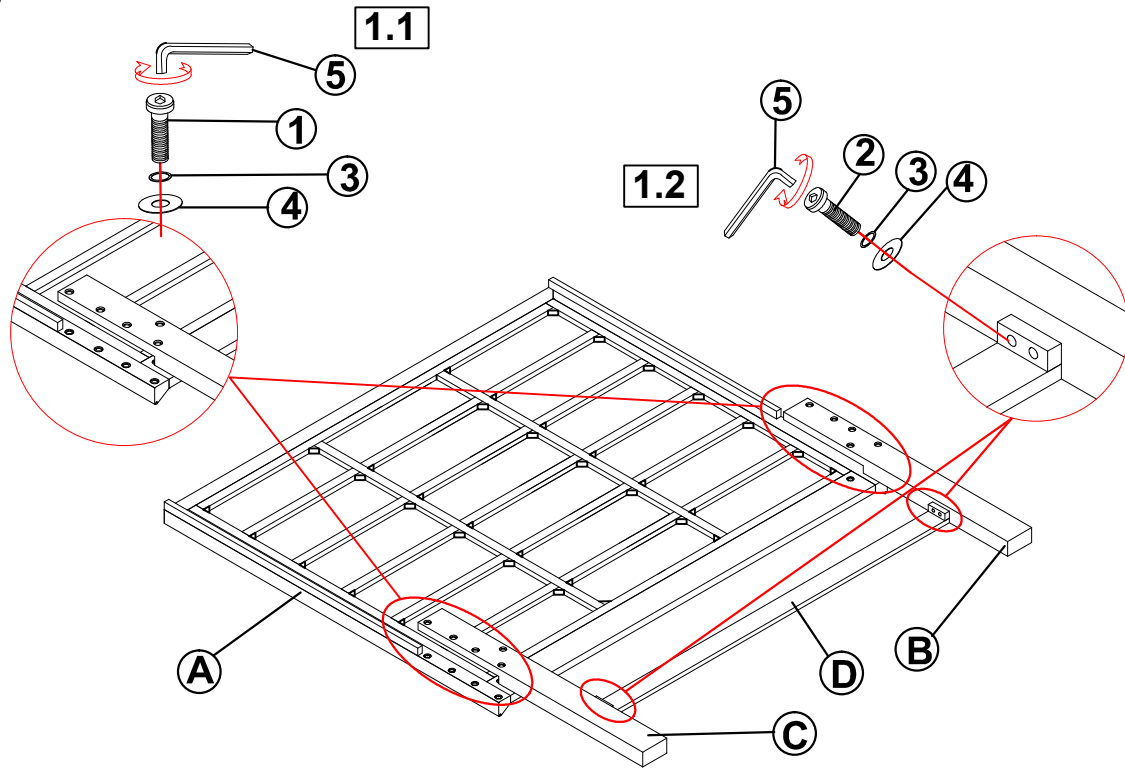
6	THREADED BOLT (5/16" x 75mm - BLK)		8PCS	11	L-BRACKET (15 x 15 x 1mm - BLK)		4 PCS
7	U-SQUARE WASHER (25 x 15 x 2mm - BLK)		8PCS	12	SHORT FLAT HEAD SCREW (3.5 x 15mm - BLK)		8PCS
8	HEX NUT (5/16" x 17mm - BLK)		8PCS				
9	WRENCH (13MM - BLK)		1PC				
10	LONG FLAT HEAD SCREW (4 x 32mm - BLK)		8PCS				

NOTE:

Phillips head screw driver is required in the assembly process; however, manufacturer does not provide this item.

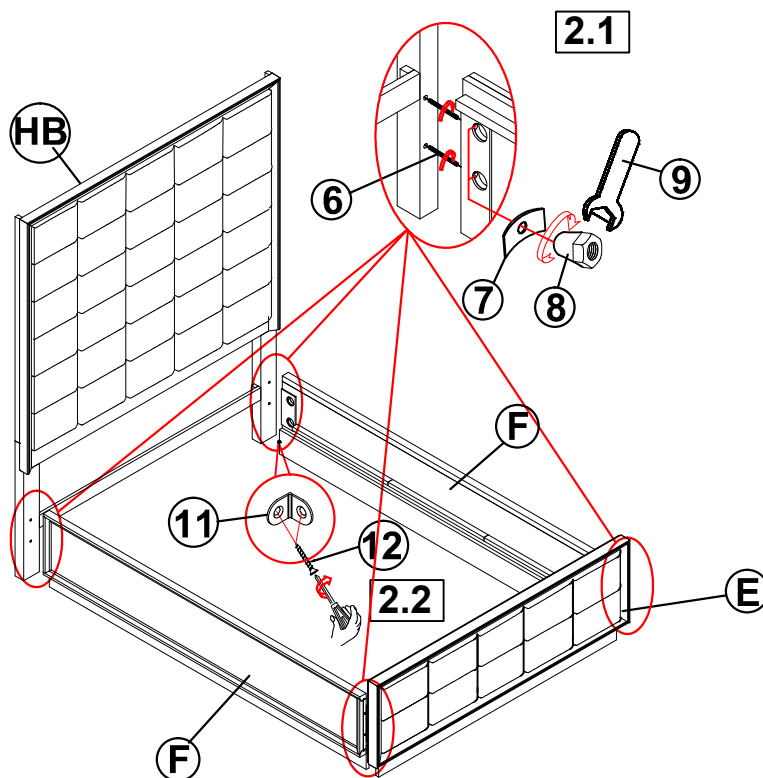
ASSEMBLY INSTRUCTIONS

STEP 1



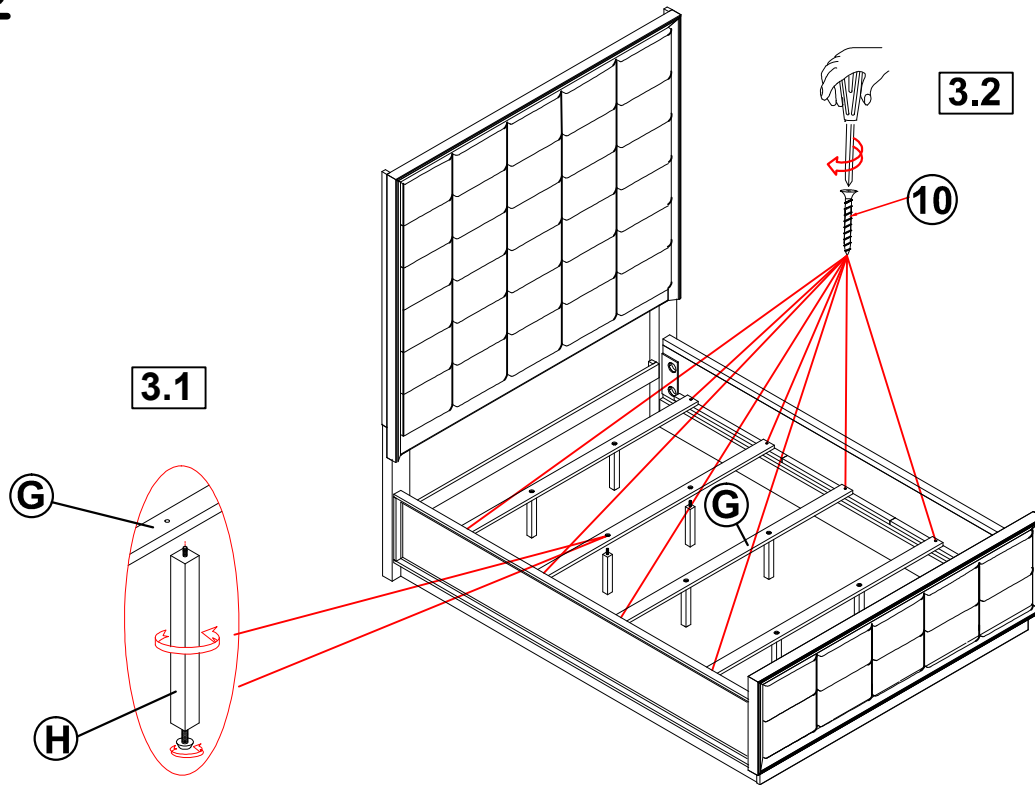
Back View

STEP 2

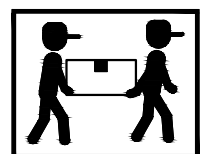
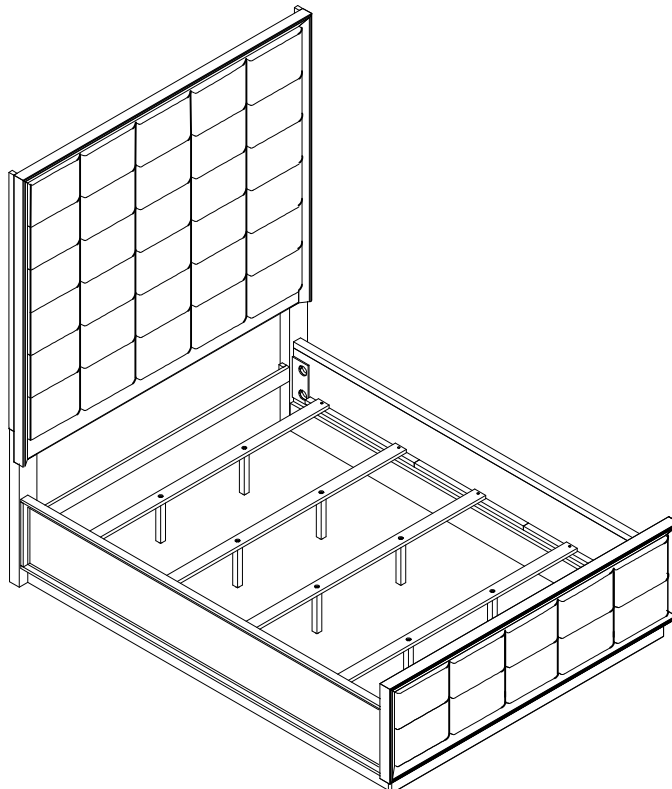


ASSEMBLY INSTRUCTIONS

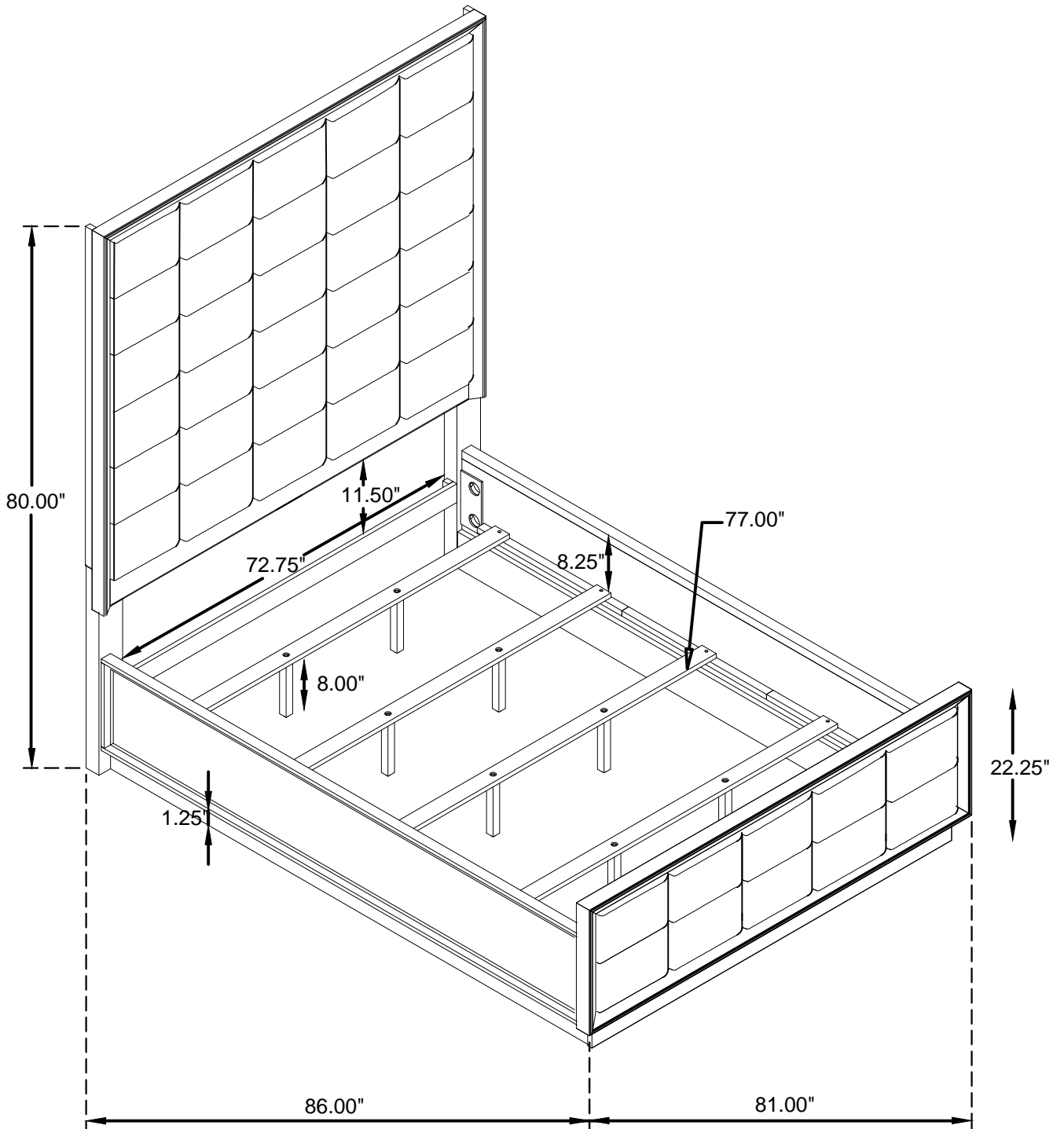
STEP 3



STEP 4 COMPLETE



Inner Size : 77.00"W x 81.50"D



Note : Dimension tolerance $\pm 5\%$