





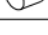



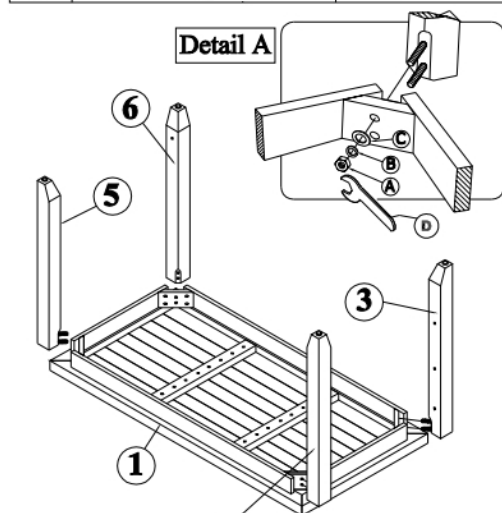
# ASSEMBLY INSTRUCTIONS & PARTS IDENTIFICATION

## PUB TABLE STORAGE

Thank you for purchasing this quality product. Be sure to check all packing material carefully for small parts that may have come loose inside the carton during shipment

Parts Key		
No	Qty	Description
1	1 pc	Table Top
2	1 pc	Storage Box
3	1 pc	Right Front Leg (with shelf holes)
4	1 pc	Left Front Leg (with shelf holes)
5	1 pc	Right Back Leg
6	1 pc	Left Back Leg
7	1 pc	Large Center Stretcher
8	1 pc	Small Side Stretcher
9	4 pcs	Floor Glide

Hardware kit			
No		Description	Q'Ty
A		Hexa Nut Ø8	8 pcs
B		Lock Washer Ø8.5	8 pcs
C		Flat Washer Ø8.5	8 pcs
D		Key Wrench	1 pcs
E		Short Bolt Ø8 x 50mm	6 pcs
F		Allen Key	1 pc
G		Screw Ø4 x 40mm	4 pcs
H		Dowel Nut	6 pcs

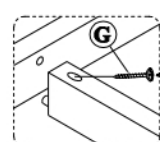


### STEP 1

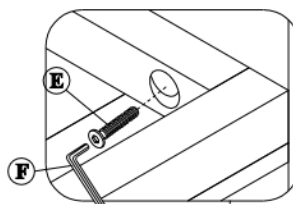
- Carefully lay Table top upside down on a smooth flat surface to prevent scratches.
- Attach each Leg to each corner of Table Top as shown in illustration. Insert a Flat Washer (C), Lock Washer (B) and Nut (A) on the bolts of each Leg. Do not fully tighten.

### STEP 2

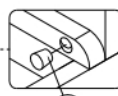
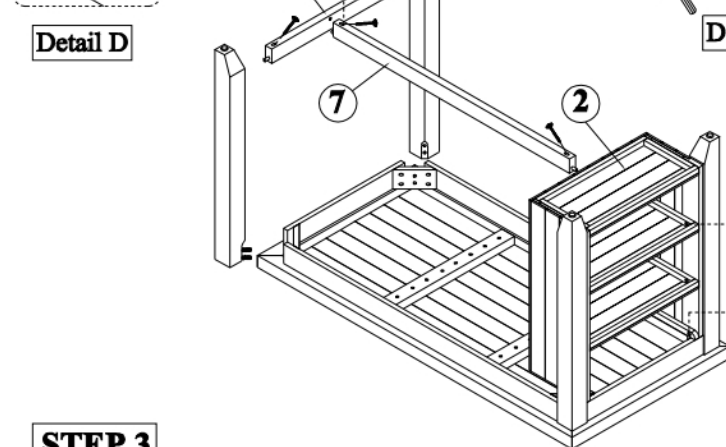
- Attach Storage box to Front Legs. Insert a Bolt (E) through holes in wood corner of Storage box. Fully tighten all bolts with Allen key (F). (See Detail B).
- Insert Dowel Nut(H) into holes of Storage box as shown illustration.(See Detail C)
- Fully tighten nuts in Front Legs by turning clockwise using provided Key Wrench until secure. (See Detail A)



Detail D



Detail B



Detail C

### STEP 3

- Insert Small Side Stretcher between Back Legs. Insert Large Center Stretcher between Storage box and Small Side Stretcher, fasten with Wood Screw using phillip-head screwdriver. (not provided). (See detail D).
- Fully tighten nuts in Back Legs using Key Wrench.
- Carefully turn Pub Table Storage upright.

