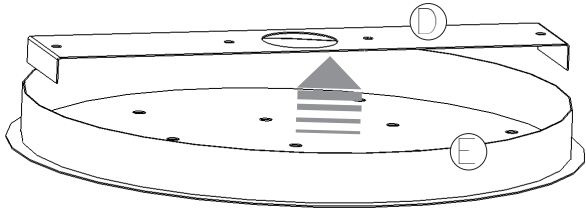


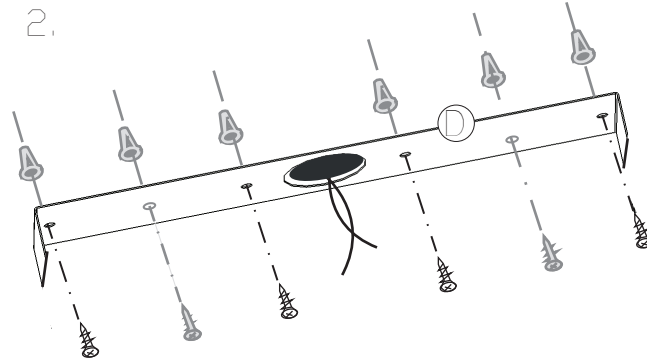
- ⓓ x1 Bridge
- ⓔ x1 Base
- ⓕ x2 Support Chains
- ⓖ x2 Button Head Screws
- ⓓ x1 Wire Toggle/Gripper
- ⓔ x13 Wrapped & Pre-Assembled Fiberglass Ball
- ⓙ x13 LED Bulbs

1.



Separate (D) from (E)

2.

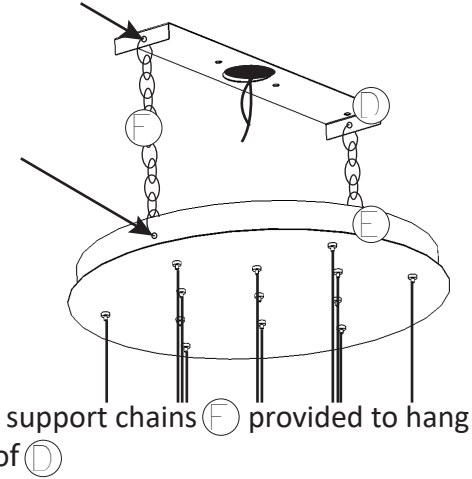


Mount (D) to the ceiling.

Note: When mounting be sure to locate and mount (D) to a joist/ceiling beam

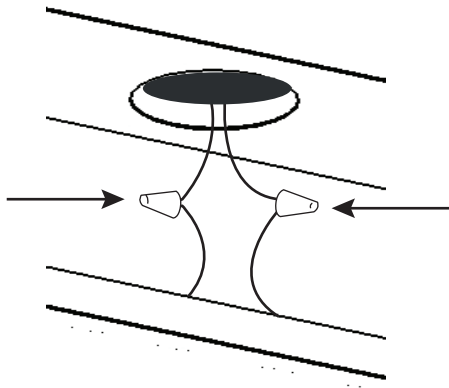
If you cannot do so, be sure to use drywall screws and anchors, drill additional holes for mounting for better support

3.



Use support chains (F) provided to hang (E) off of (D)

4.



Connect electrical wire to the power

5.

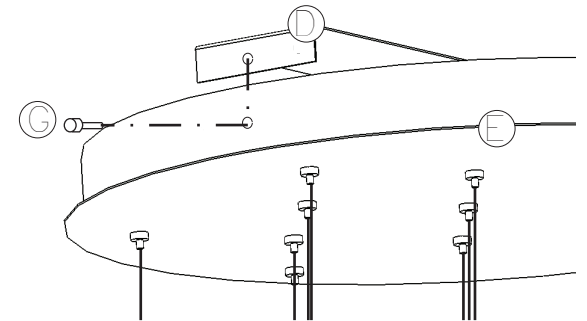
Test lights by turning on power



Make sure bulb is not touching the glass!

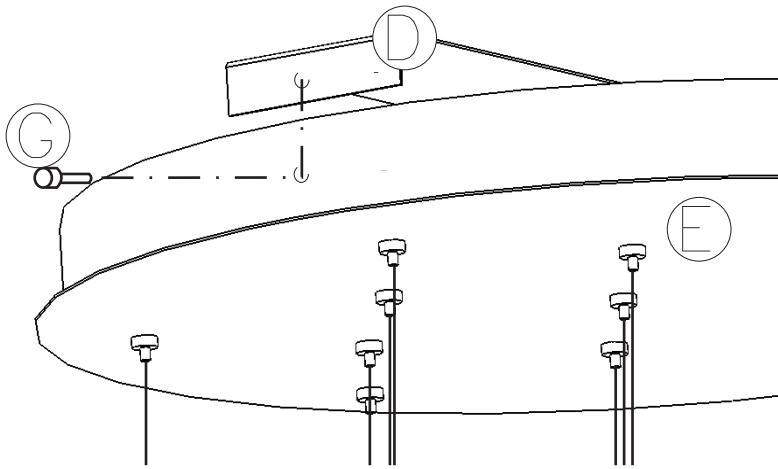
Turn off power after testing

6.



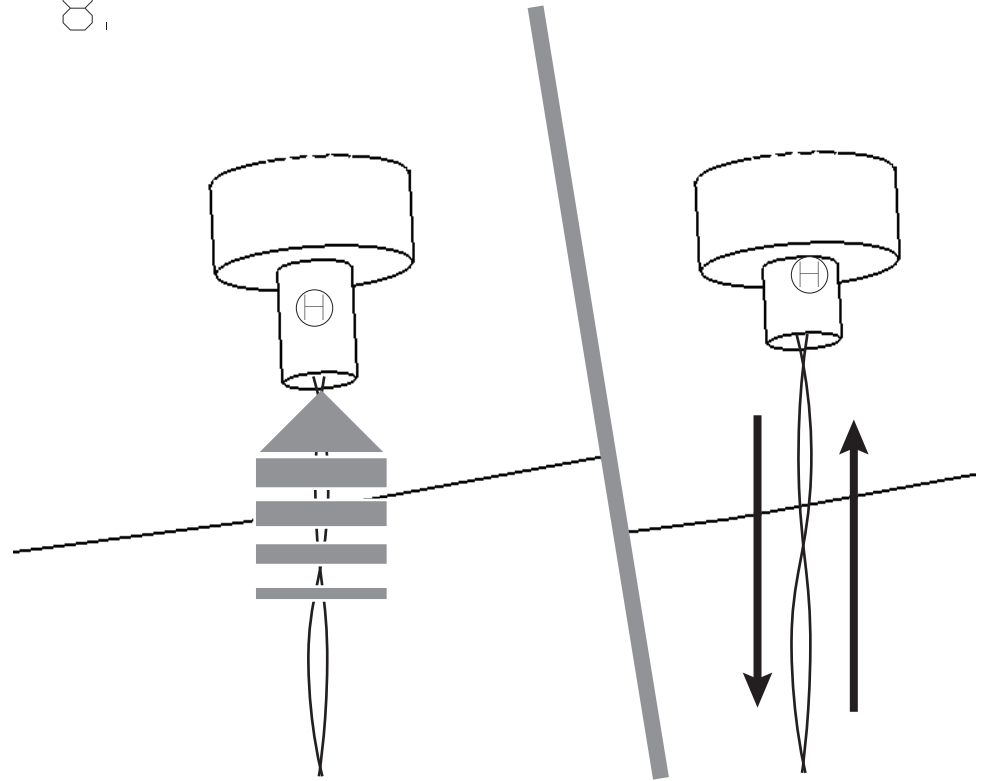
Remove chains from one side only, and attach (E) to (D) with the button head screws (G)

7.



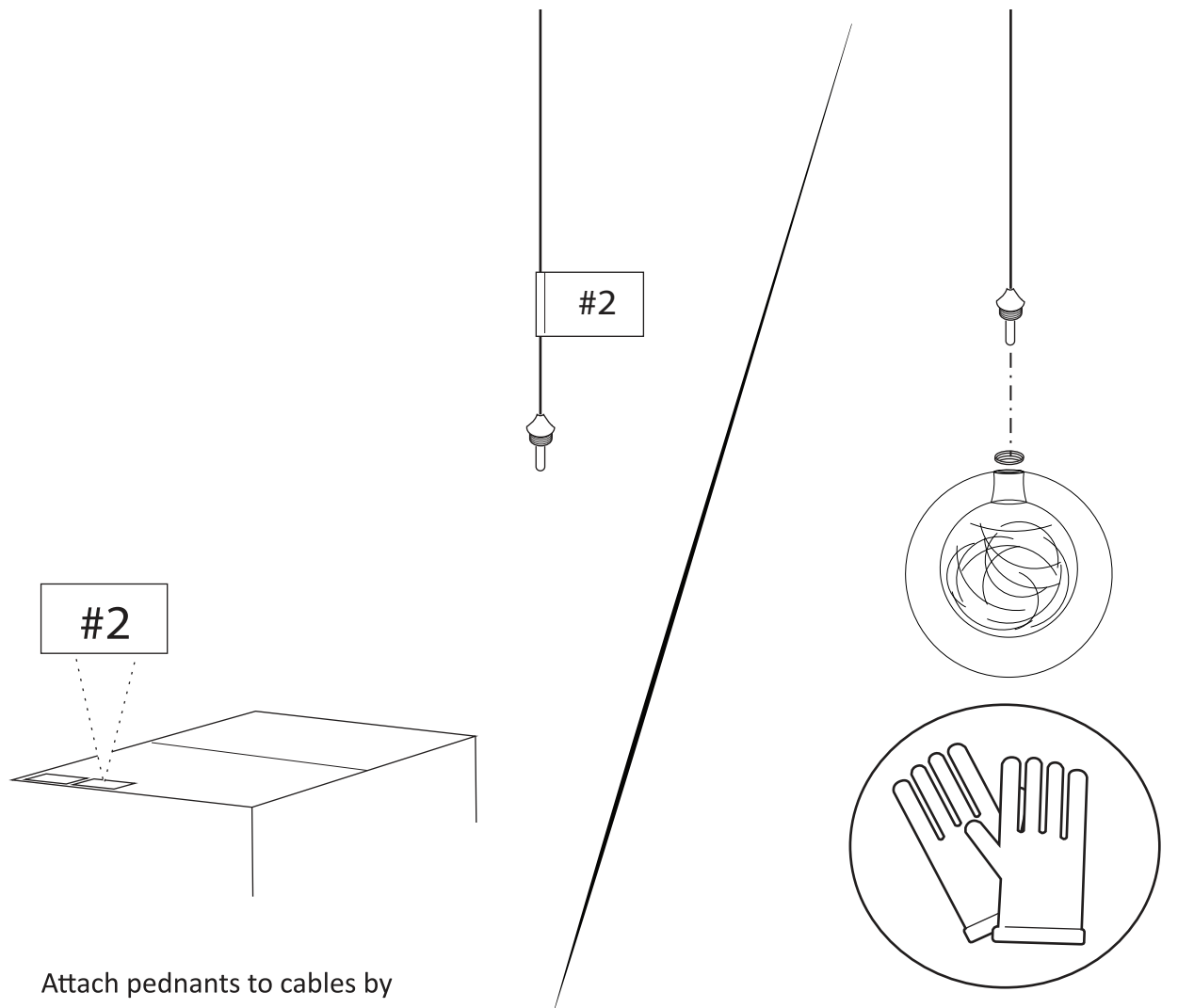
Remove remaining chains and attach **E** to **D** on other side with button head screws **G**

8.



Pendant Cable length may be adjusted up and down by pressing in wire toggle **H** and **gently** pushing /pulling cable

9.



Attach pednants to cables by matching thier stickers

Always use gloves when handling