

### Technology

- Frameless, 3/8-inch-thick Crystal Clear tempered glass.
- Innovative roller design simplifies installation and provides out-of-plumb adjustability while glass is installed.
- Cushioned center guide provides quiet sliding action.
- Vertical blade handles accentuate the contemporary style.
- CleanCoat® nanotechnology helps prevent bacteria, mildew and water stains on your glass, making it easy to clean and looking new.

### Installation

- Sliding shower door.
- Not for use in hospitality.
- For residential use only.

### Included Components

Additional Components:

Hardware kit



### Codes/Standards

CPSC 16CFR 1201

ANSI Z97.1

### KOHLER® One-Year Limited Warranty

See website for detailed warranty information.

### Available Colors/Finishes

*Color tiles intended for reference only.*

Color	Code	Description
-------	------	-------------

	SHP	
--	-----	--

	NX	
--	----	--

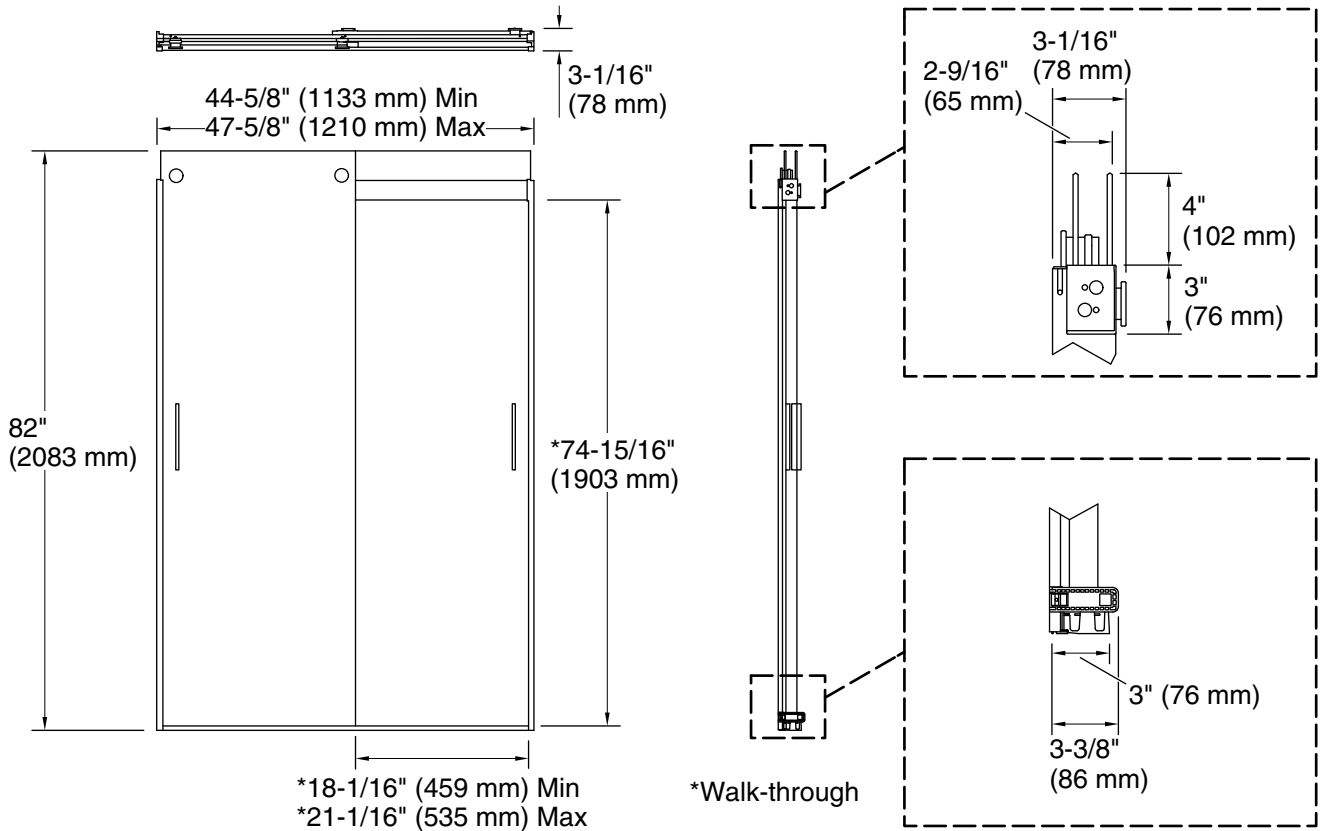
	ABV	
--	-----	--

	ABZ	
--	-----	--

### Available Glass Options

Code	Description
------	-------------

L	Crystal Clear
---	---------------



## Technical Information

All product dimensions are nominal.

Installation type: For shower base installation

Opening style: Sliding/Bypass

Opening Width - Min: 44-5/8" (1133 mm)

Opening Width - Max: 47-5/8" (1210 mm)

Walk-through - Min: 18-1/16" (459 mm)

Walk-through - Max: 21-1/16" (535 mm)

Glass thickness: 3/8" (10 mm)

Glass coating: CleanCoat®

## Notes

Install this product according to the installation guide.

If replacing a shower door, the narrow wall jamb design of this door may not cover the existing shower door holes.

The vertical opening should be a minimum of 84-1/2" (2146 mm) to allow for installation clearance.