

ASSEMBLY INSTRUCTION



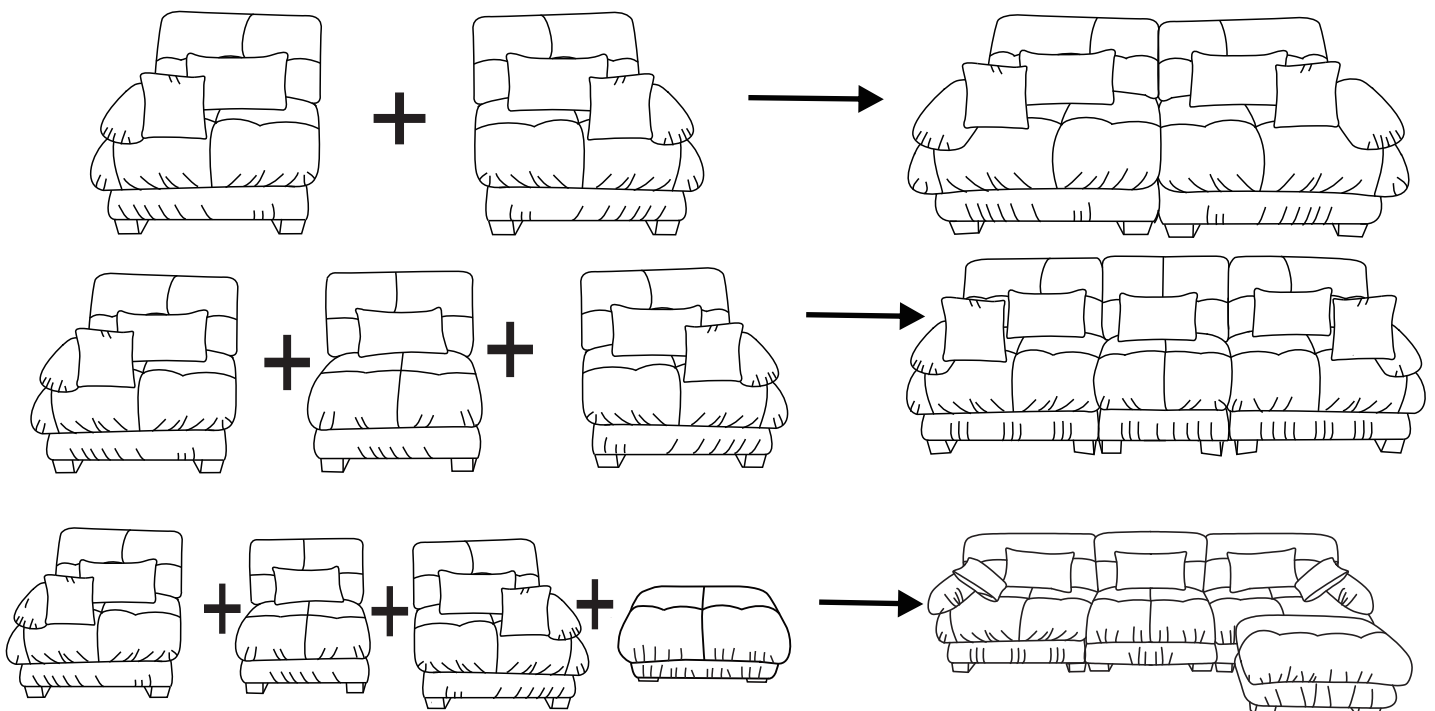
This instruction booklet contains important safety information. please read and keep for future reference.

This sofa collection works as modular sofa function, started as 2 seater sofa with left and right section, you can buy more components such as armless middle seat and ottoman to make it as 3 seater sofa, 4 seater sofa, L shape sectional, U shape sectional components to ensure all sofa section are well fit your living room area.

To ensure safe and satisfactory use of this product, please carefully read the below instructions before hand.

1. This sofa ships in several boxes, we recommend unpacking and starting assembly when several boxes are received.
2. Our cushions are vacuum packed for convenient shipping. Please allow 2-3 days for them to fully expand to their original shape and for any wrinkles to disappear.
3. In the event that a part is damaged or missing, no need to return the product, we will gladly help and ship your replacement parts free of charge.

Below are some guidelines for you how you can do mix and match.



Box A package: Place A + E + G + K + N + O + P4 + R4 + S4 + T1

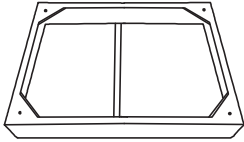
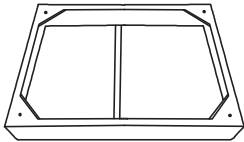
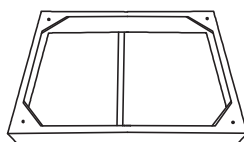
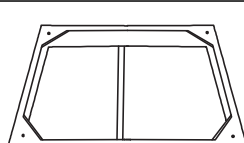
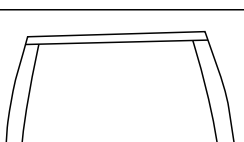
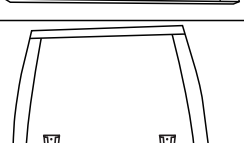
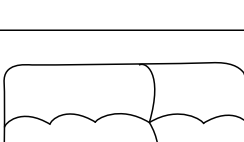
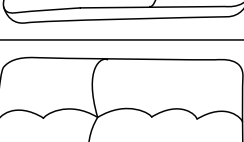

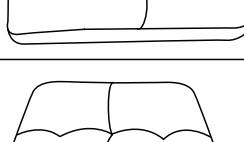
Box B package: Place B + E + H + L + N + O + P4 + R4 + S4 + T1

Box C package: Place C + F + I + N + J + P4 + R4 + S4 + T1

Box D package: Place D + M + P4 + R4 + S4 + T1

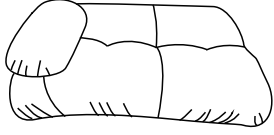
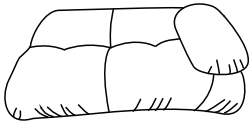
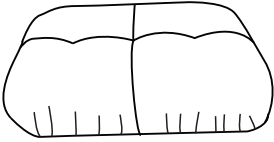
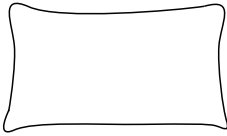
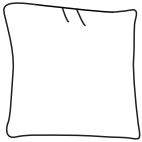
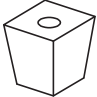
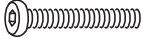


Assembly Instructions

Parts List

A		Left seat frame	1
B		Right seat frame	1
C		Middle seat frame	1
D		Seat frame	1
E		Big backrest	2
F		Small backrest	1
G		Left back cushion	1
H		Right back cushion	1
I		Middle back cushion	1
J		Middle seat cushion	1

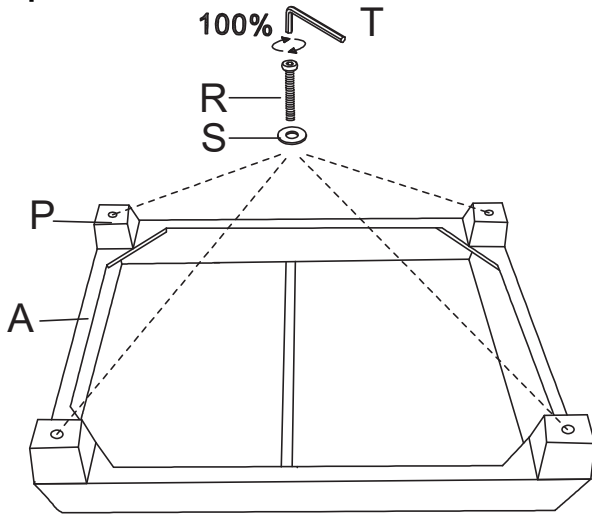
Assembly Instructions

Parts List

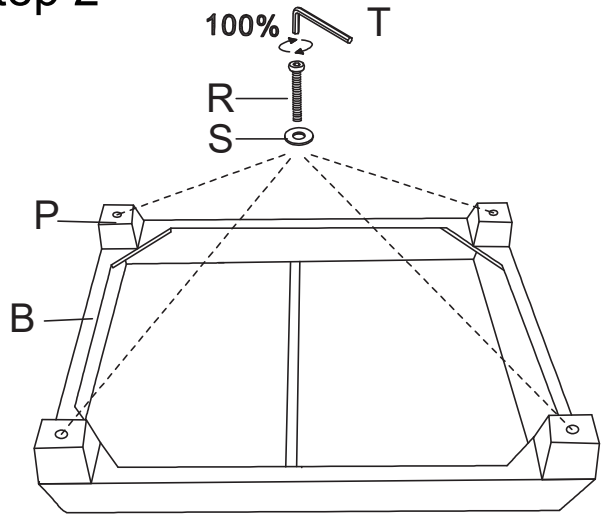
K		Left seat cushion	1
L		Right seat cushion	1
M		Seat cushion	1
N		Waist pillow	3
O		Pillow	2
P		Leg	16
R		Bolt	16
S		Nut	16
T		Allen key	4

Assembly Steps

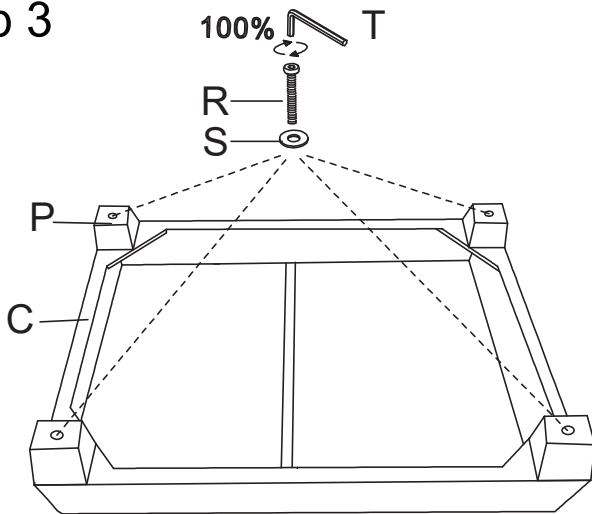
Step 1



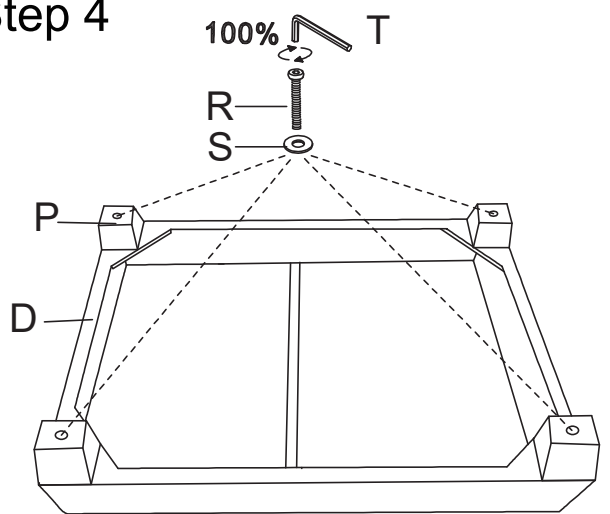
Step 2



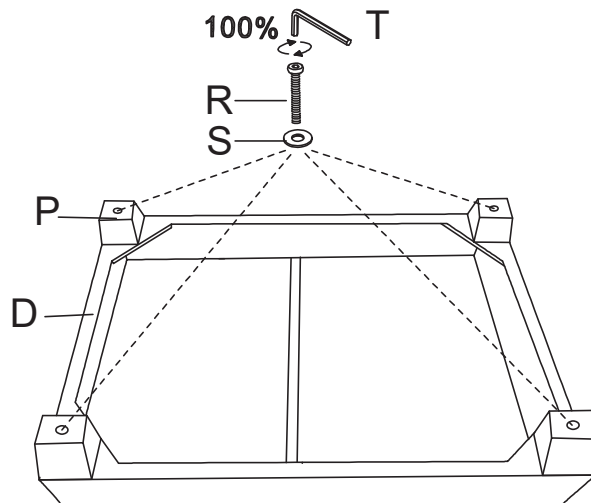
Step 3



Step 4

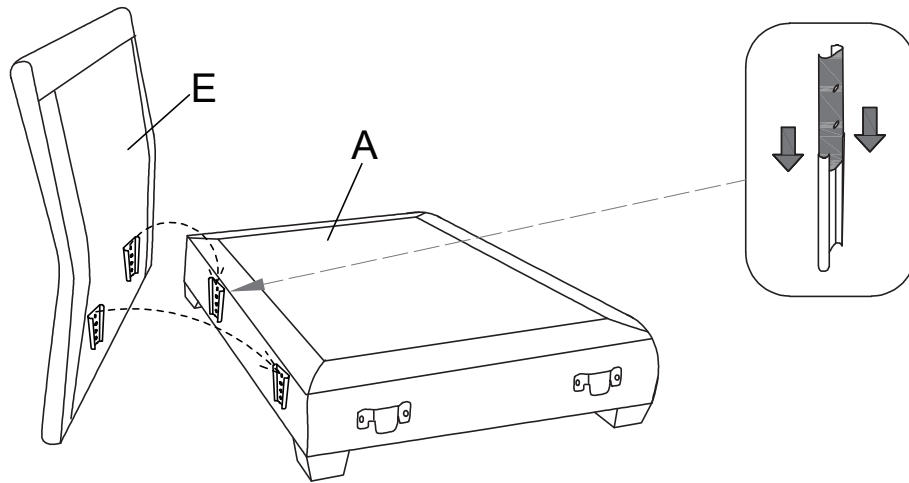


Step 5

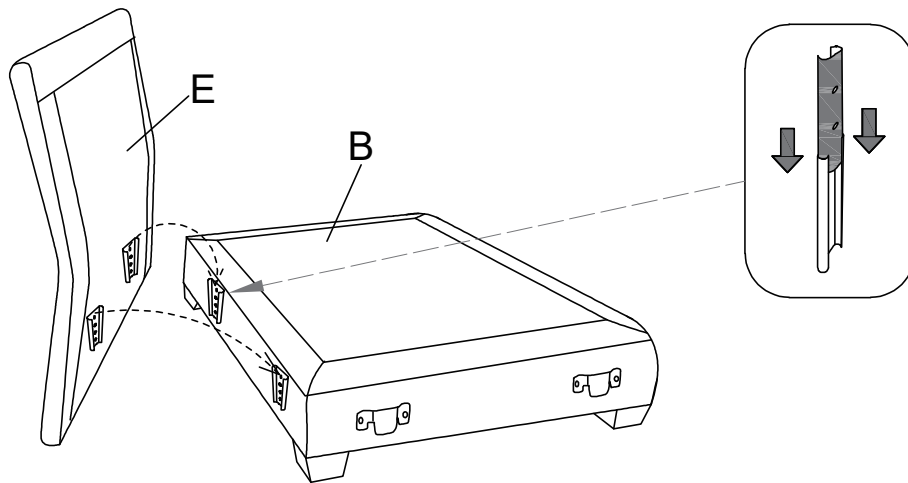


Assembly Steps

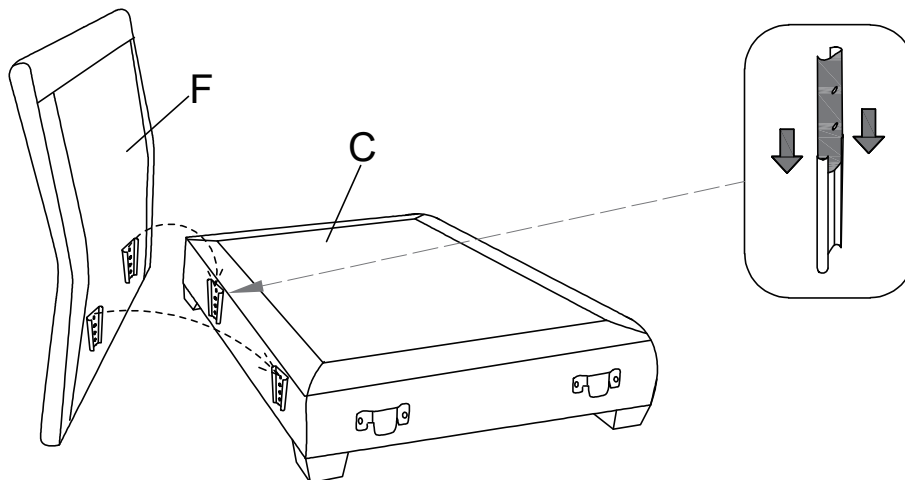
Step 6



Step 7

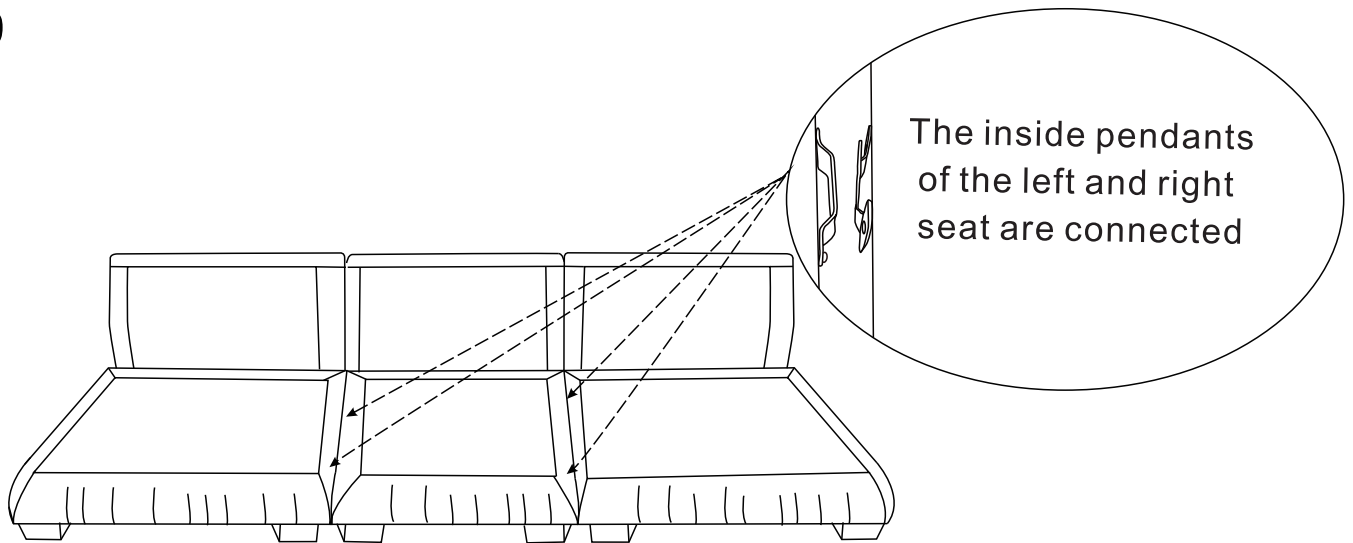


Step 8

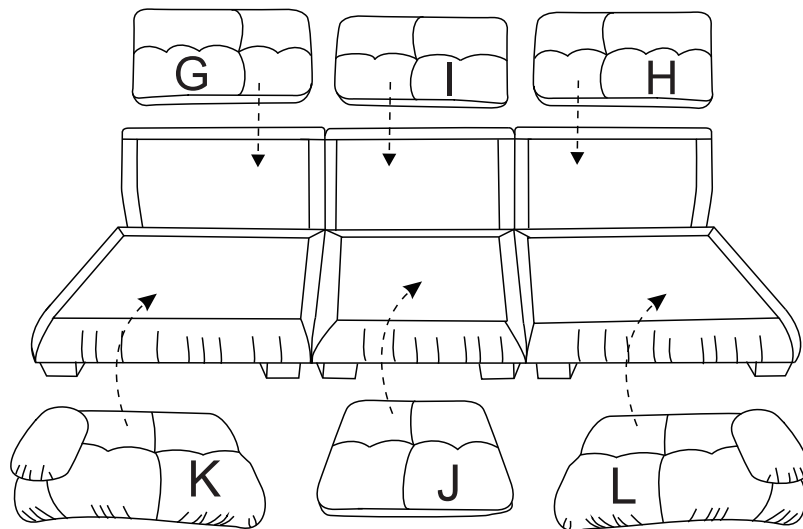


Assembly Steps

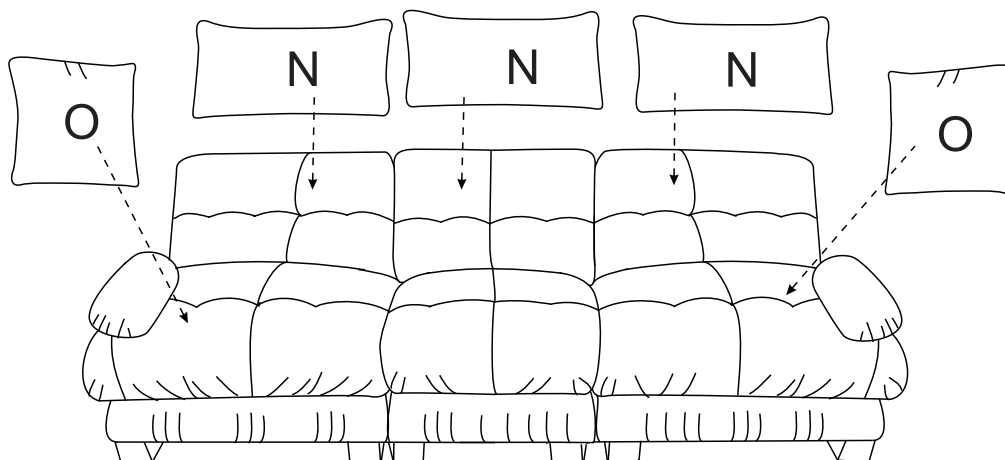
Step 9



Step 10

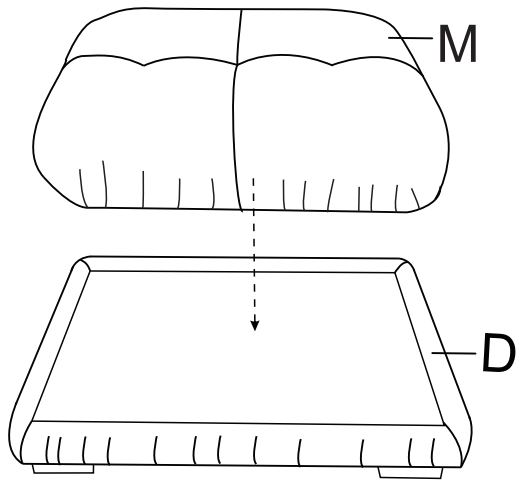


Step 11

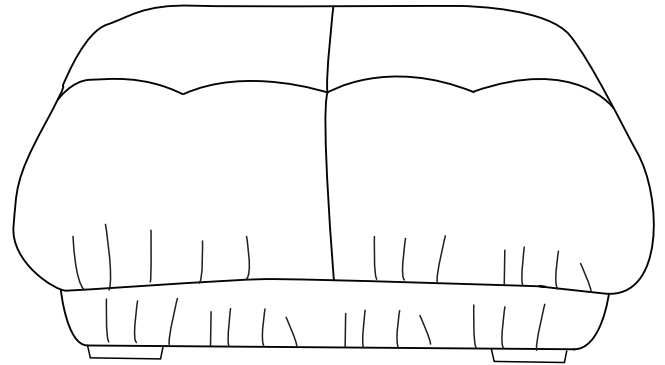


Assembly Steps

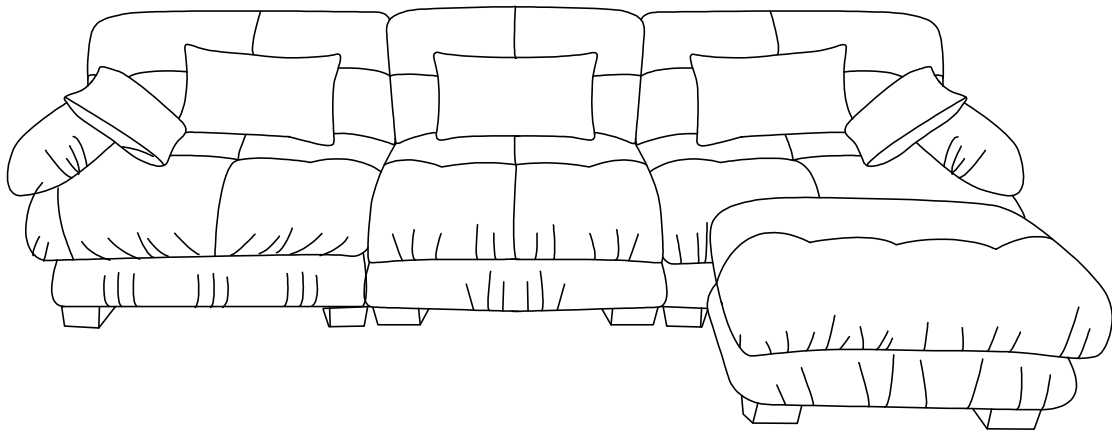
Step 12



Step 13



Step 14



Note: The seat cushion and backrest need to be left to rest for 24 hours to regain their elasticity, or gently tapped to restore their shape.