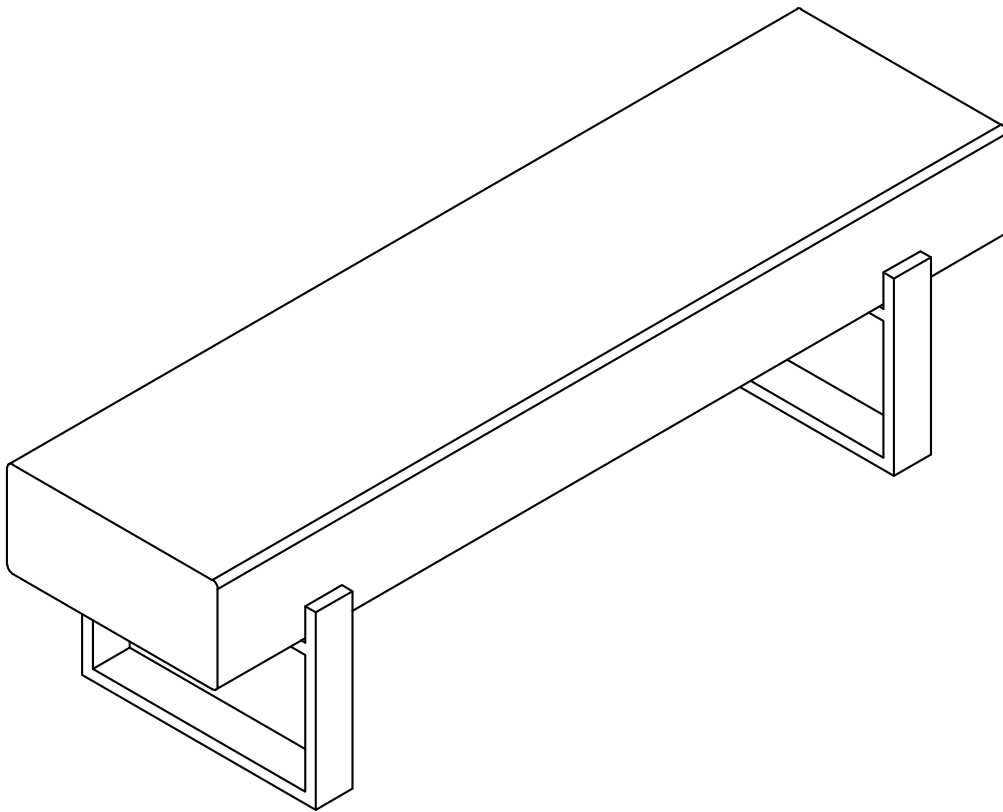


ASSEMBLY INSTRUCTIONS

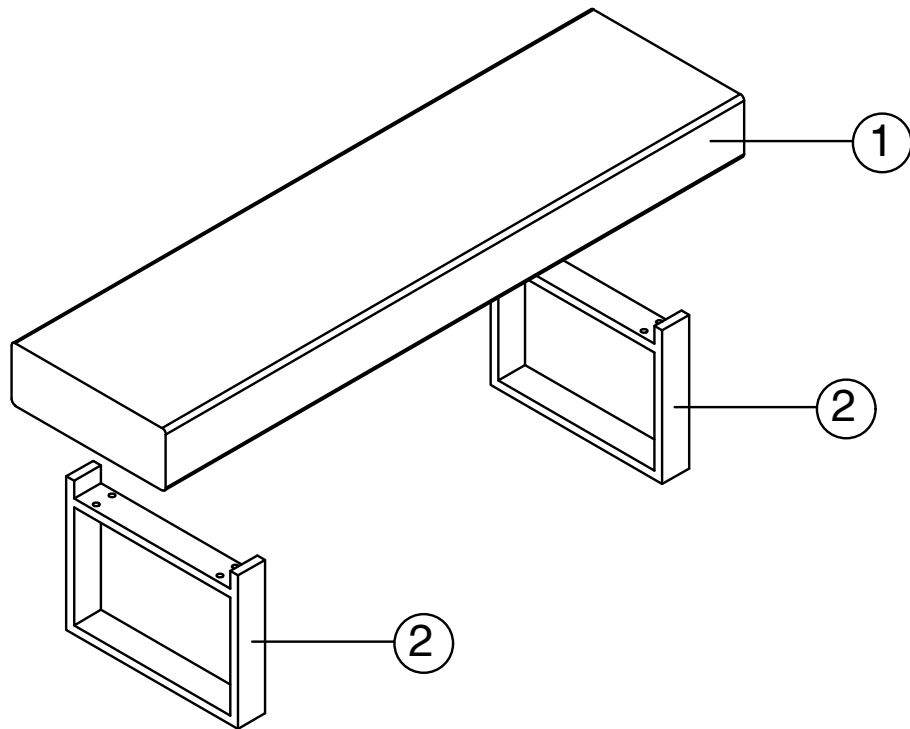
Bench



N752P293752

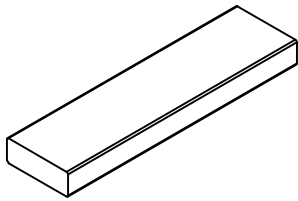
IMPORTANT NOTE:

1. Place all parts on a clean and smooth surface such as a rug or carpet to avoid the parts from being scratched.
2. Before you begin, kindly follow the assembly instructions step by step.
3. Do not tighten all screws and bolts until the bench is fully set-up.
4. Please do not return to store, contact the seller if you have any troubles with this product.

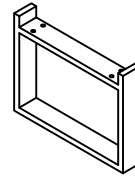


Part List

① x1



② x2



Hardware List

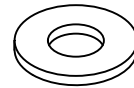
Ⓐ



M8x40

BOLT (8pcs)

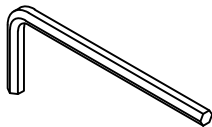
Ⓑ



8x16

LOCK WASHER (8pcs)

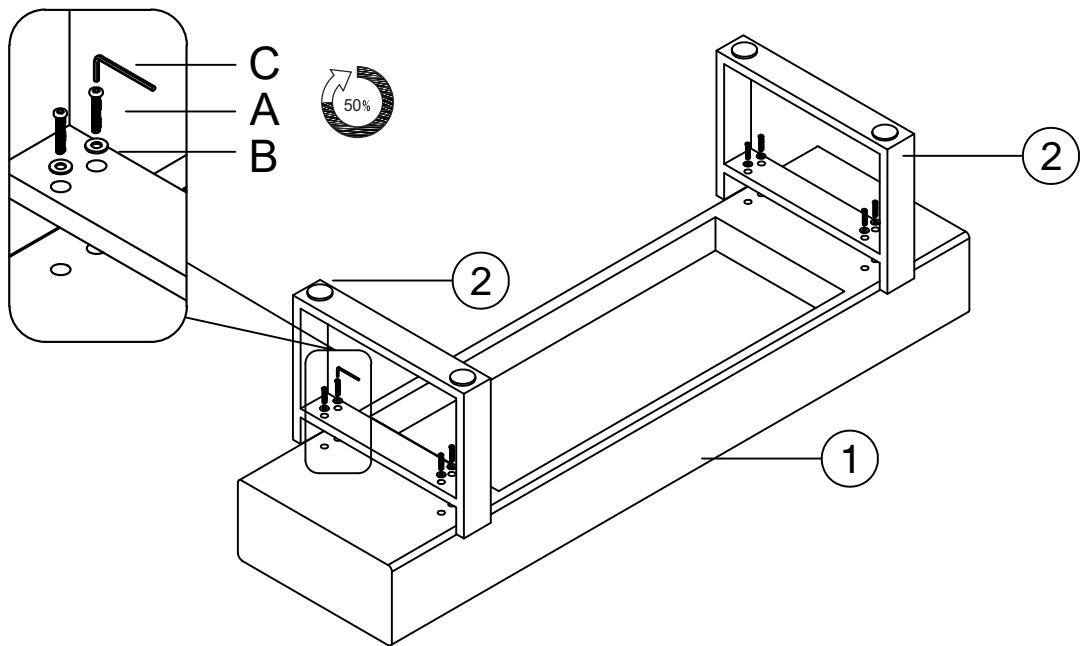
Ⓒ






M5

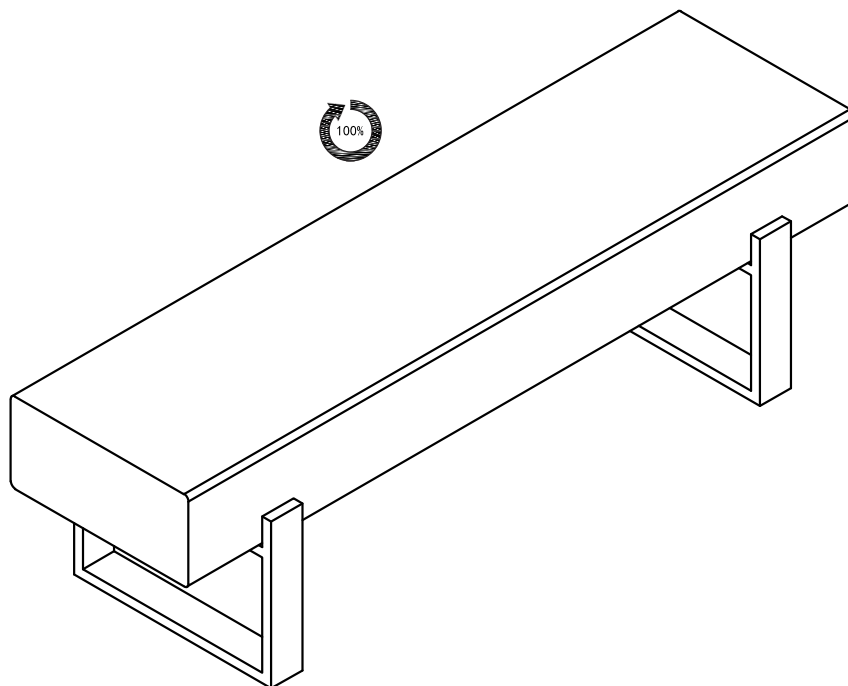
ALLEN KEY (1pc)

Step 1



A		8pcs	B		8pcs
C		1pc			

Step 2



Please Note: The foot pegs on the bench are adjustable.