

Sofa

NOTE:

The instruction booklet contains **IMPORTANT** safety information Please read and keep for future reference.



Estimated Time for Assembly

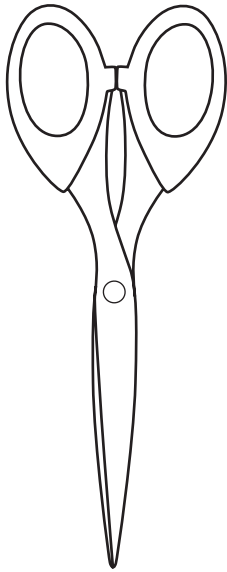
30 mins

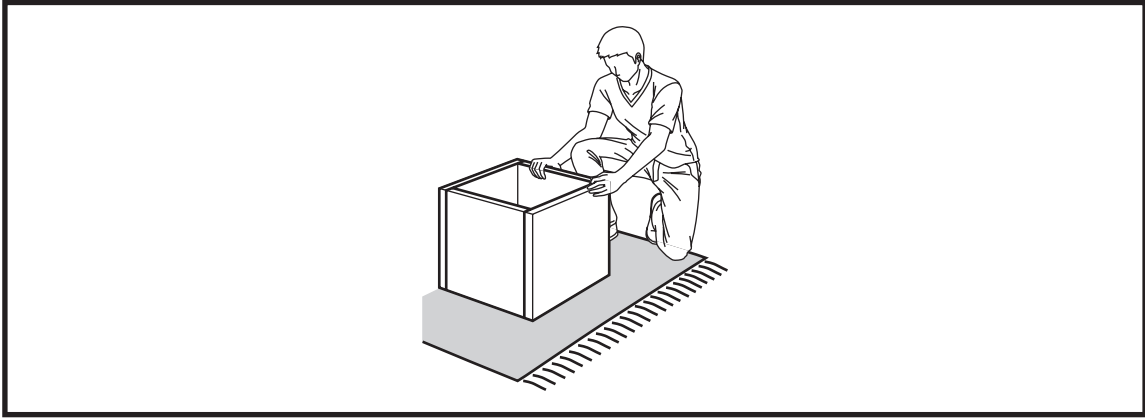


Weight Limitation

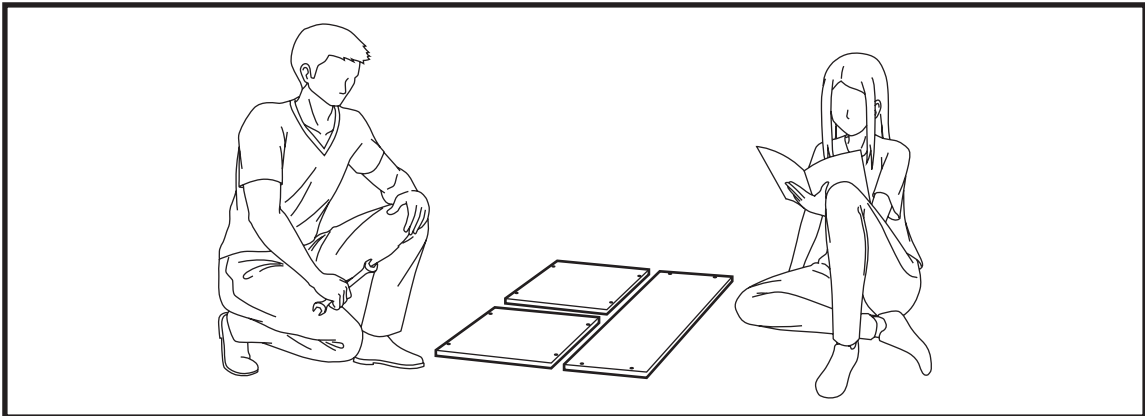
500 lb

Tools Needed (Not Included)





Assembly the furniture on empty carton, carpet, or rug to prevent scratches or damage.

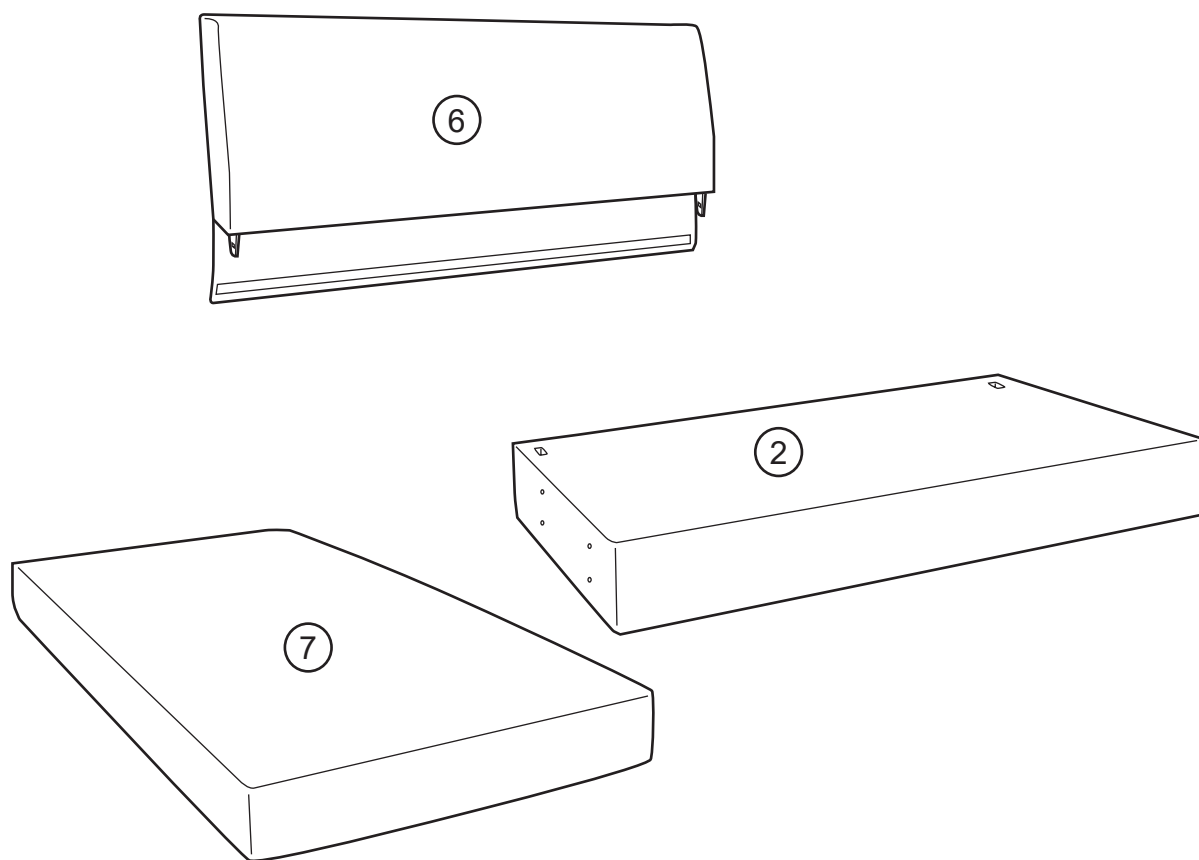


This furniture requires 2 people to assembly.

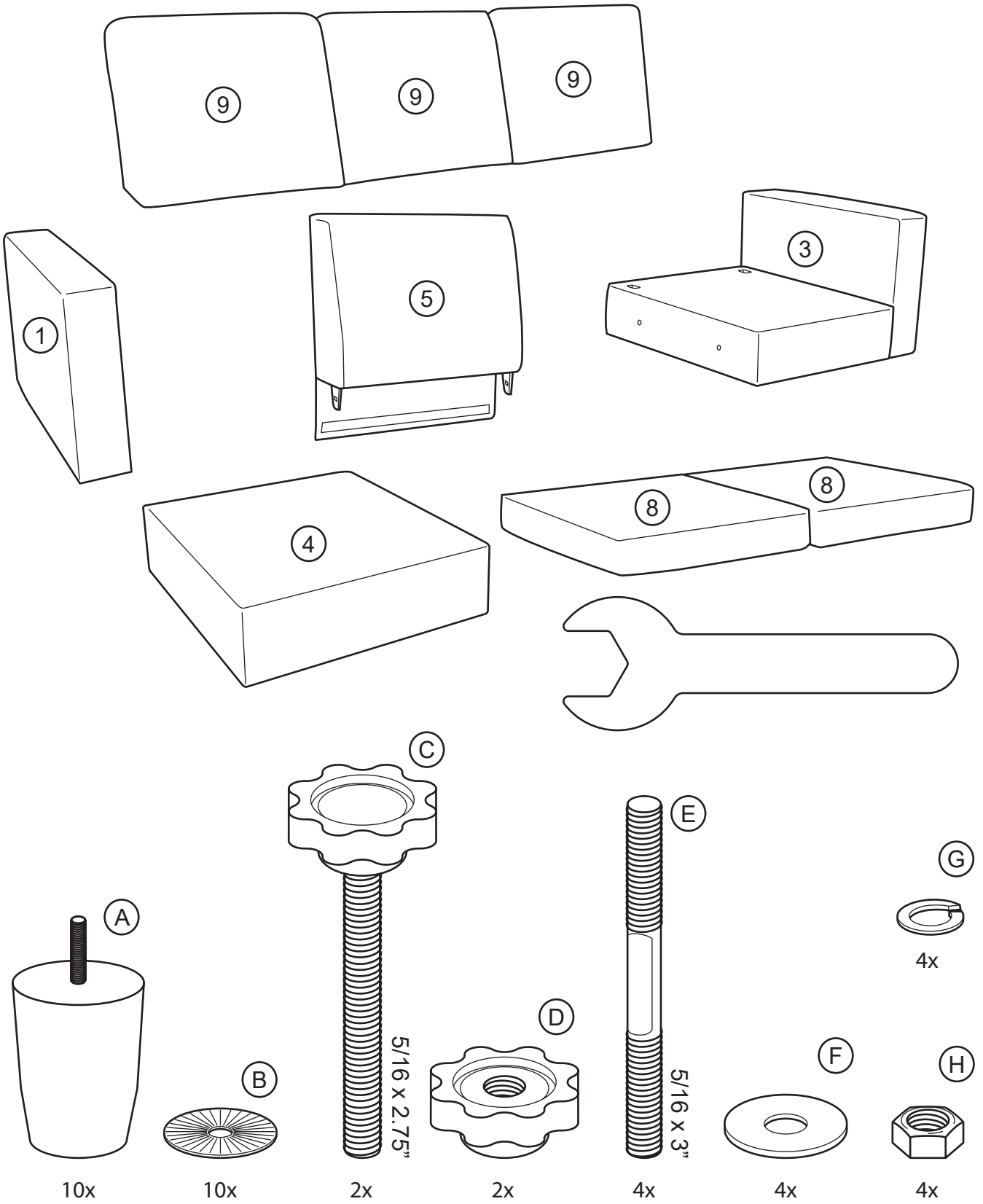
Make sure no parts are missing or damaged before assembly.

PACKAGE CONTENT

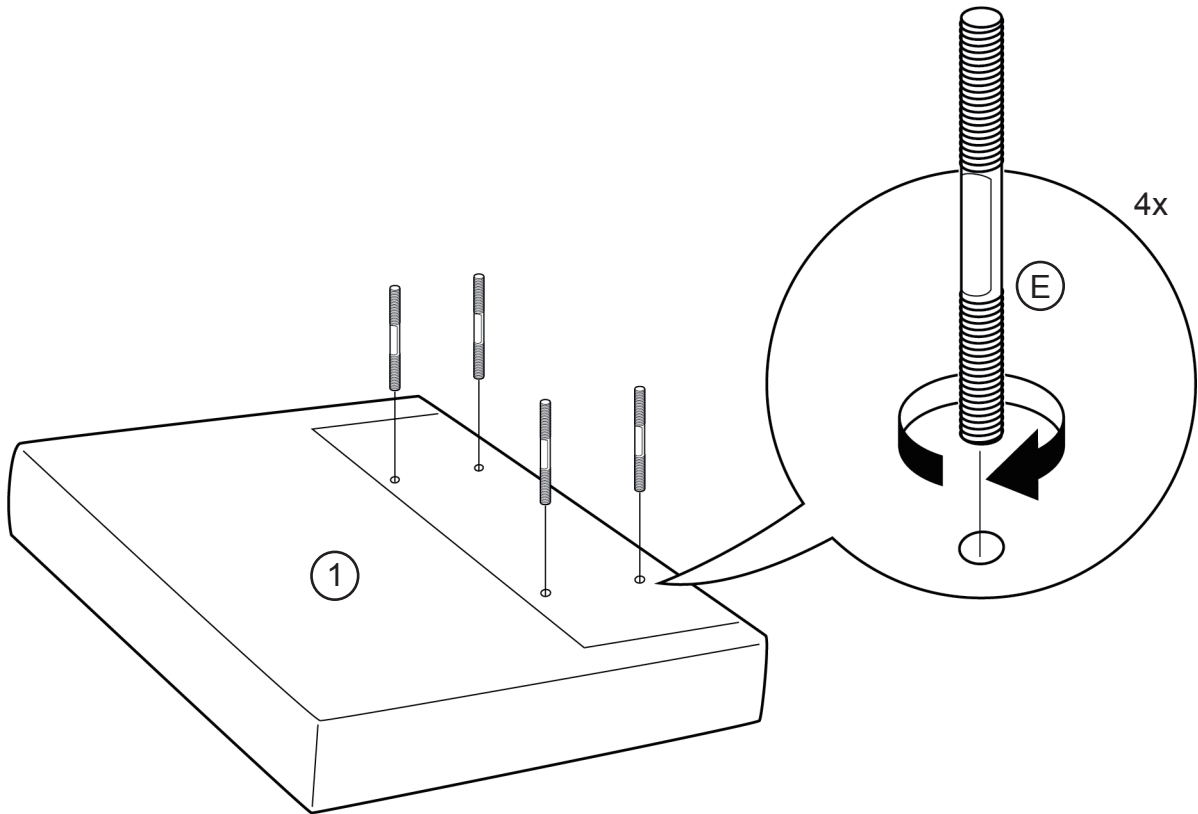
BOX A



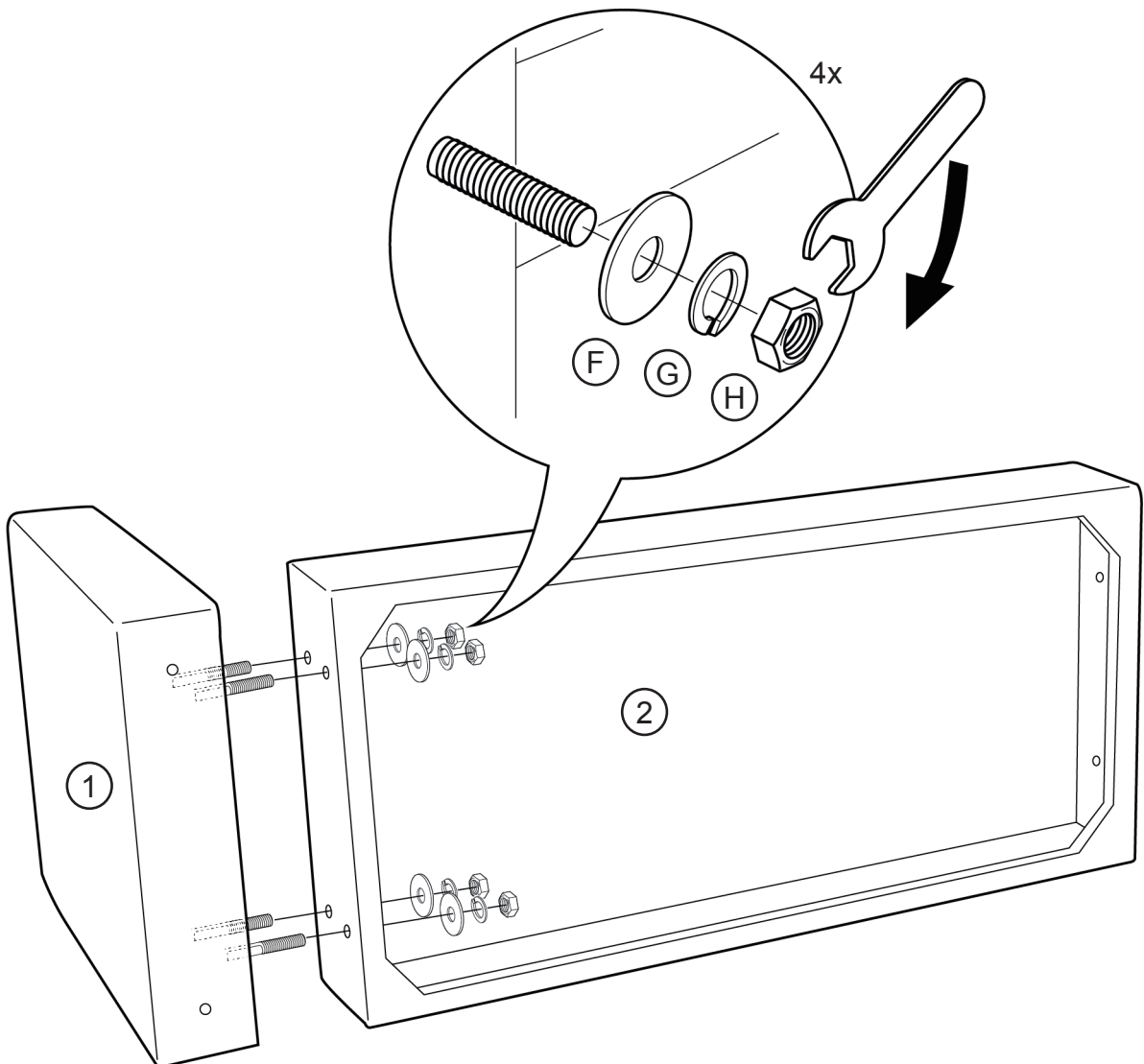
BOX B

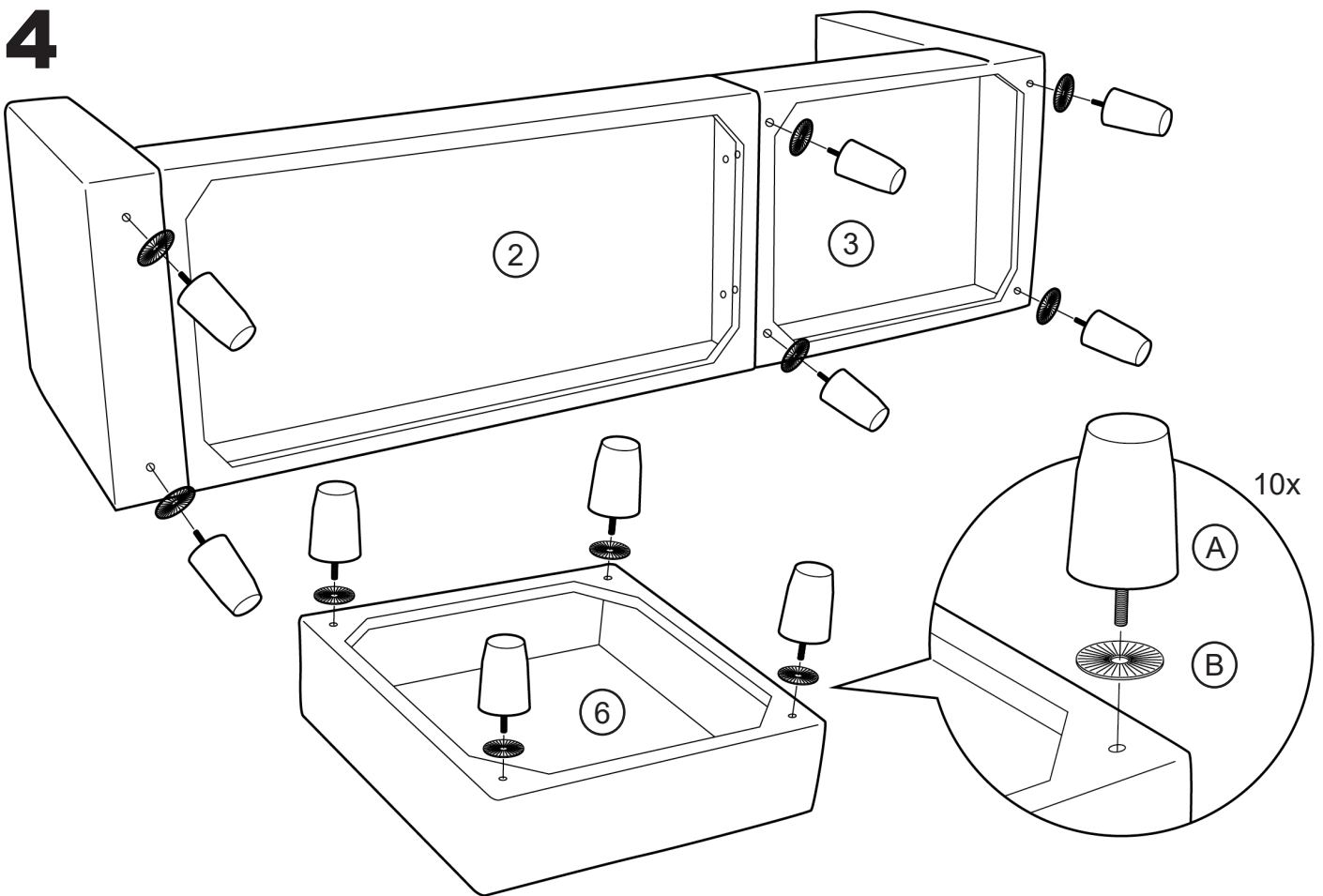
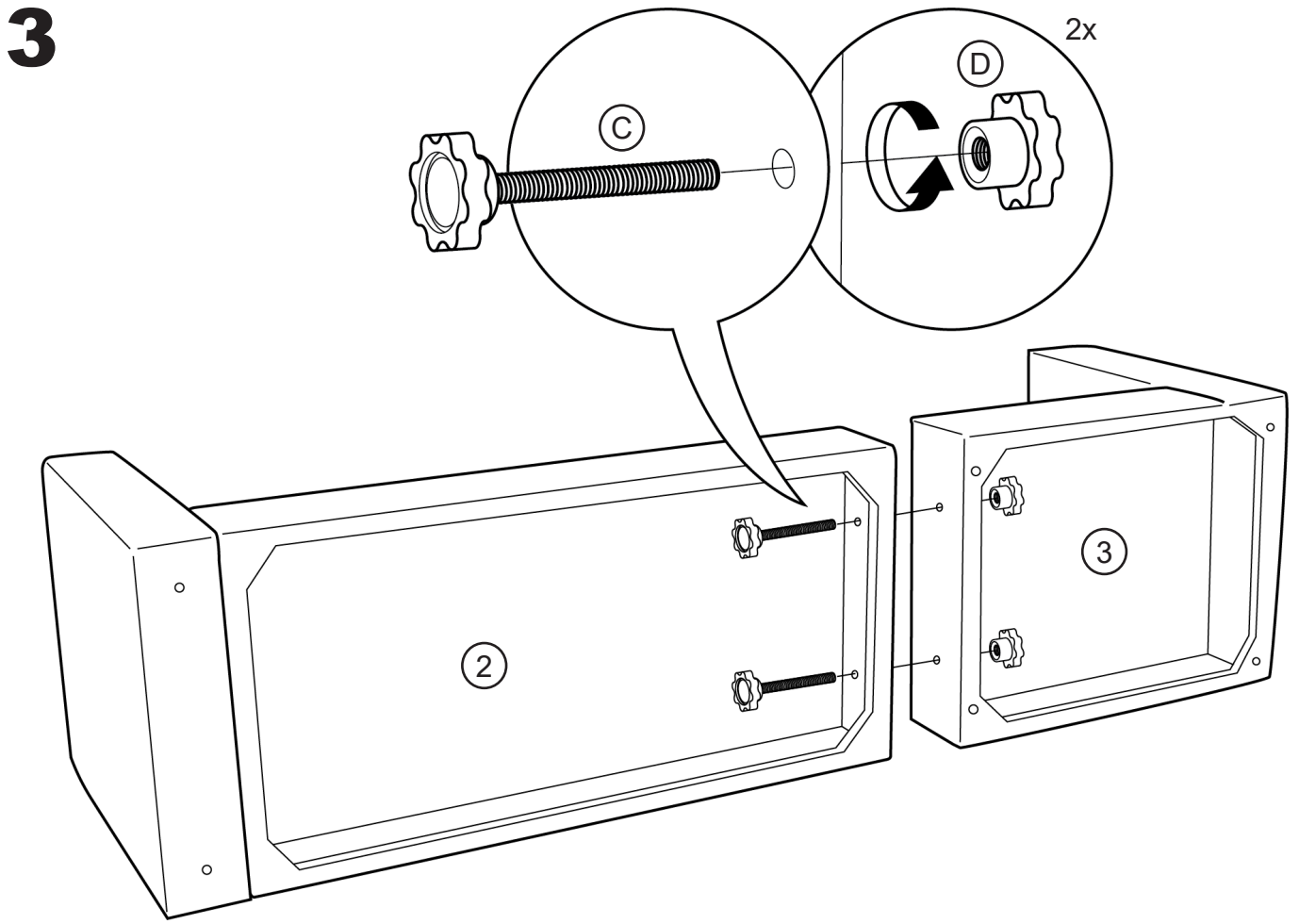


1



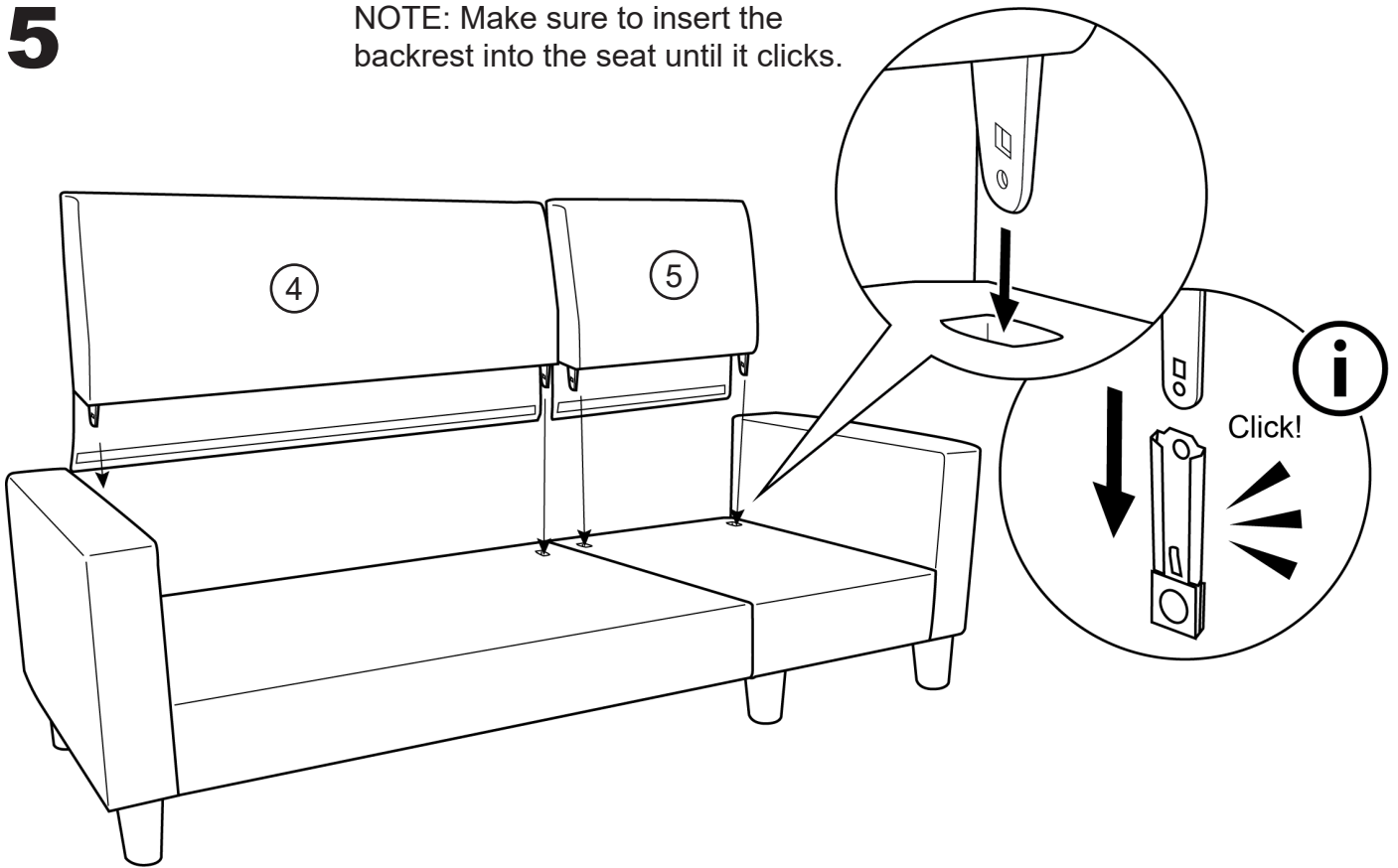
2



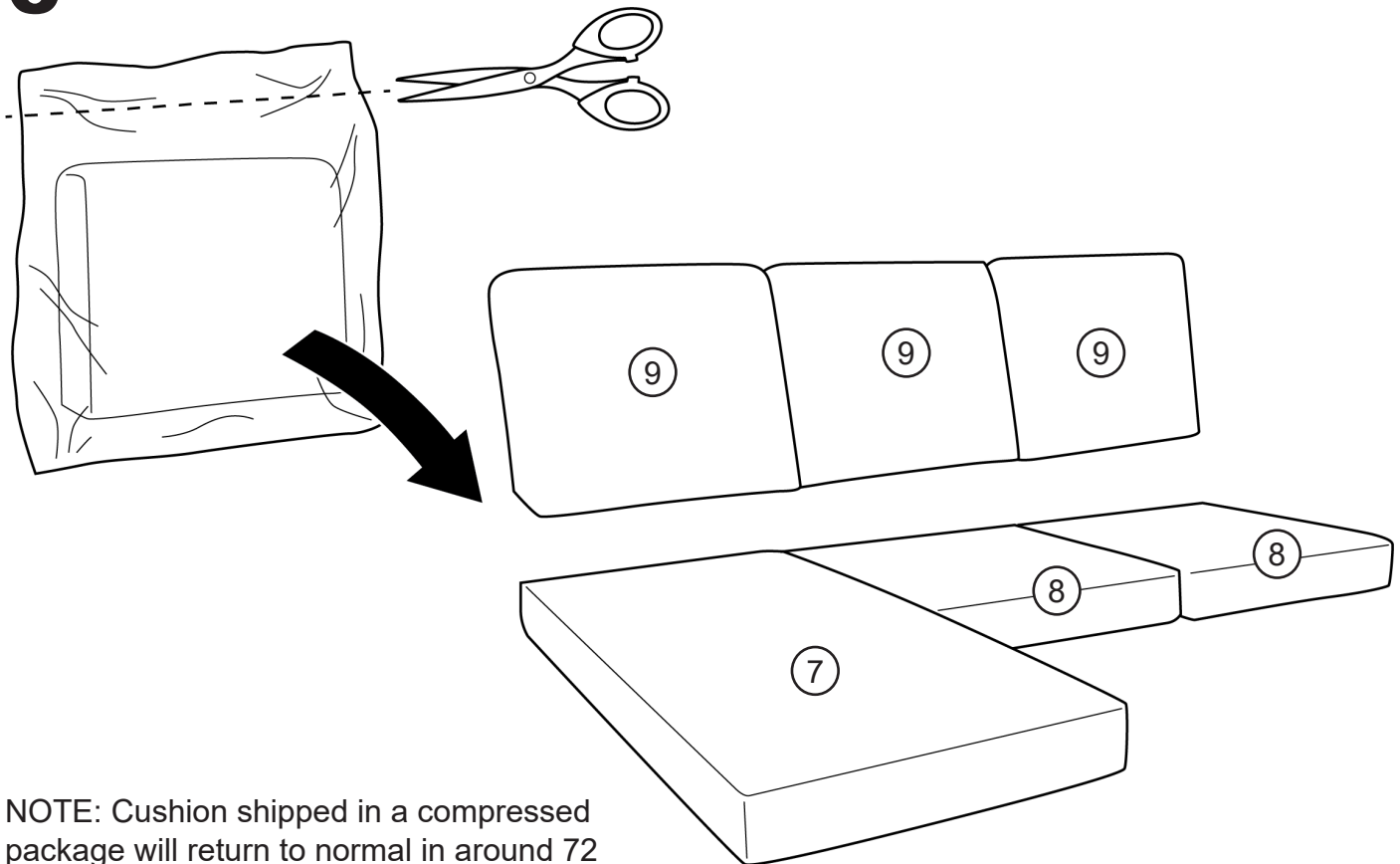


5

NOTE: Make sure to insert the backrest into the seat until it clicks.



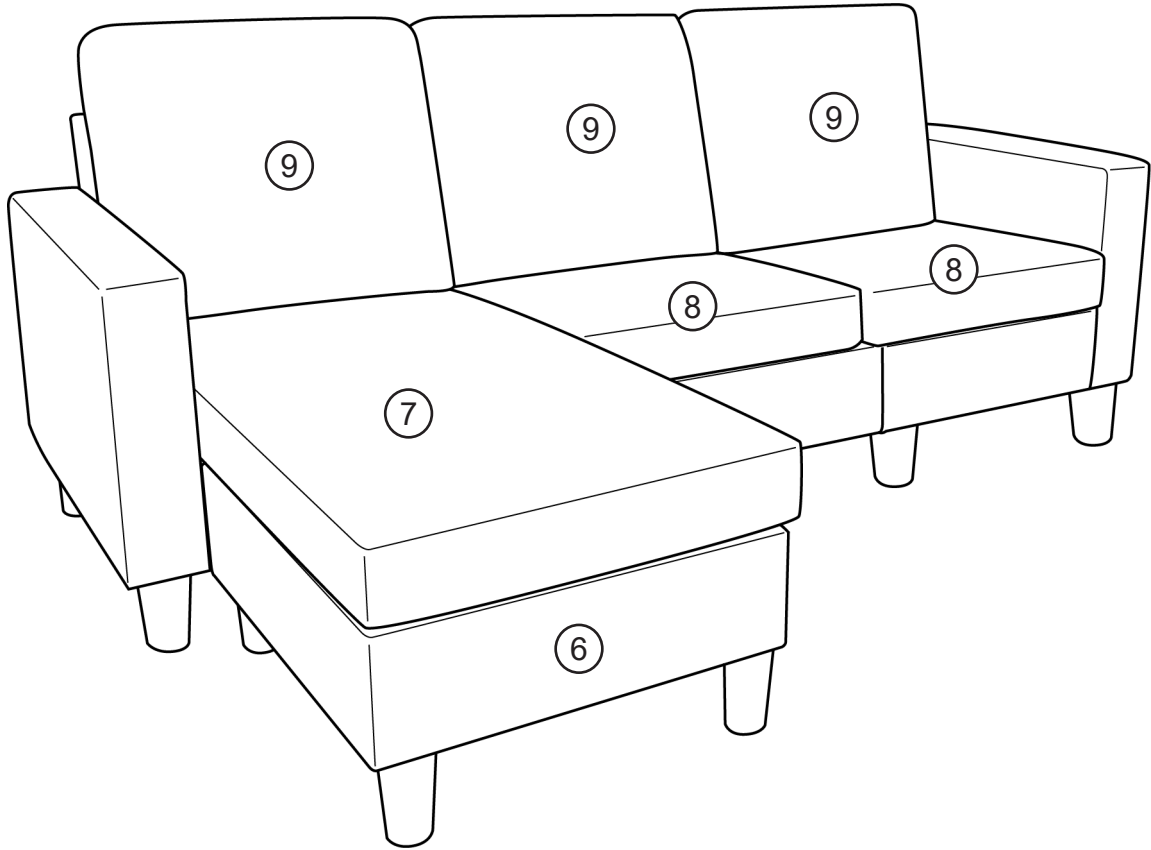
6



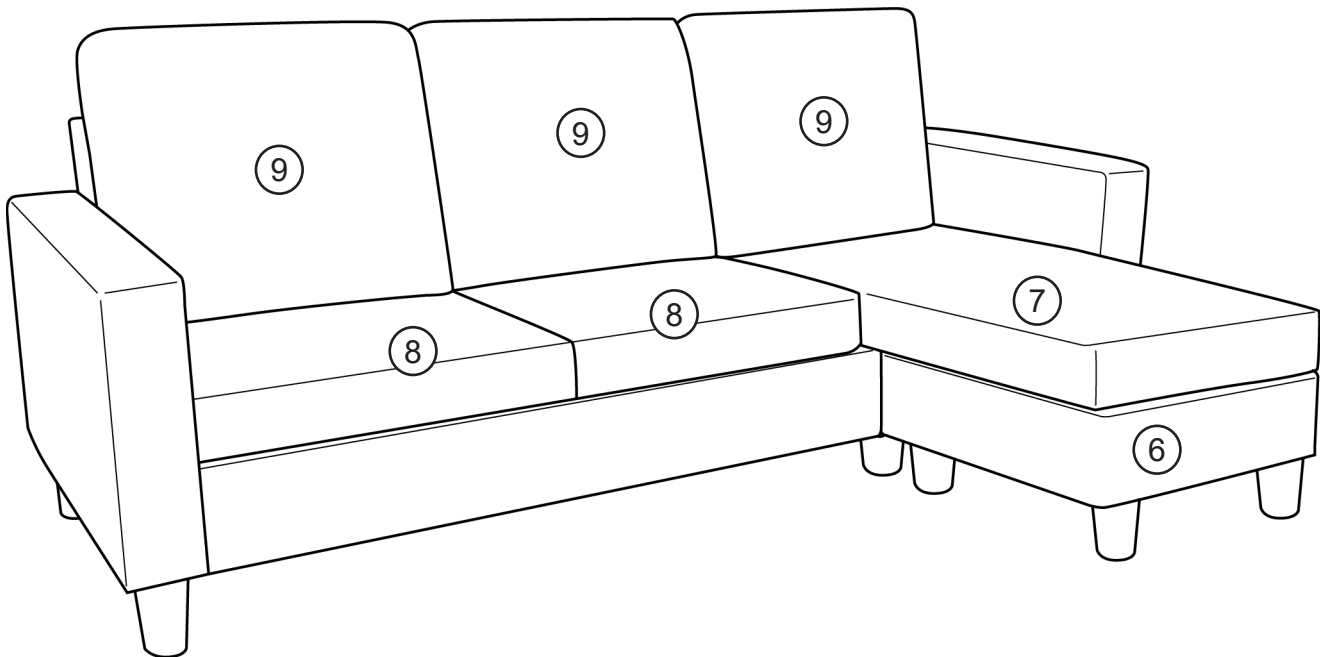
NOTE: Cushion shipped in a compressed package will return to normal in around 72 hours after opening.

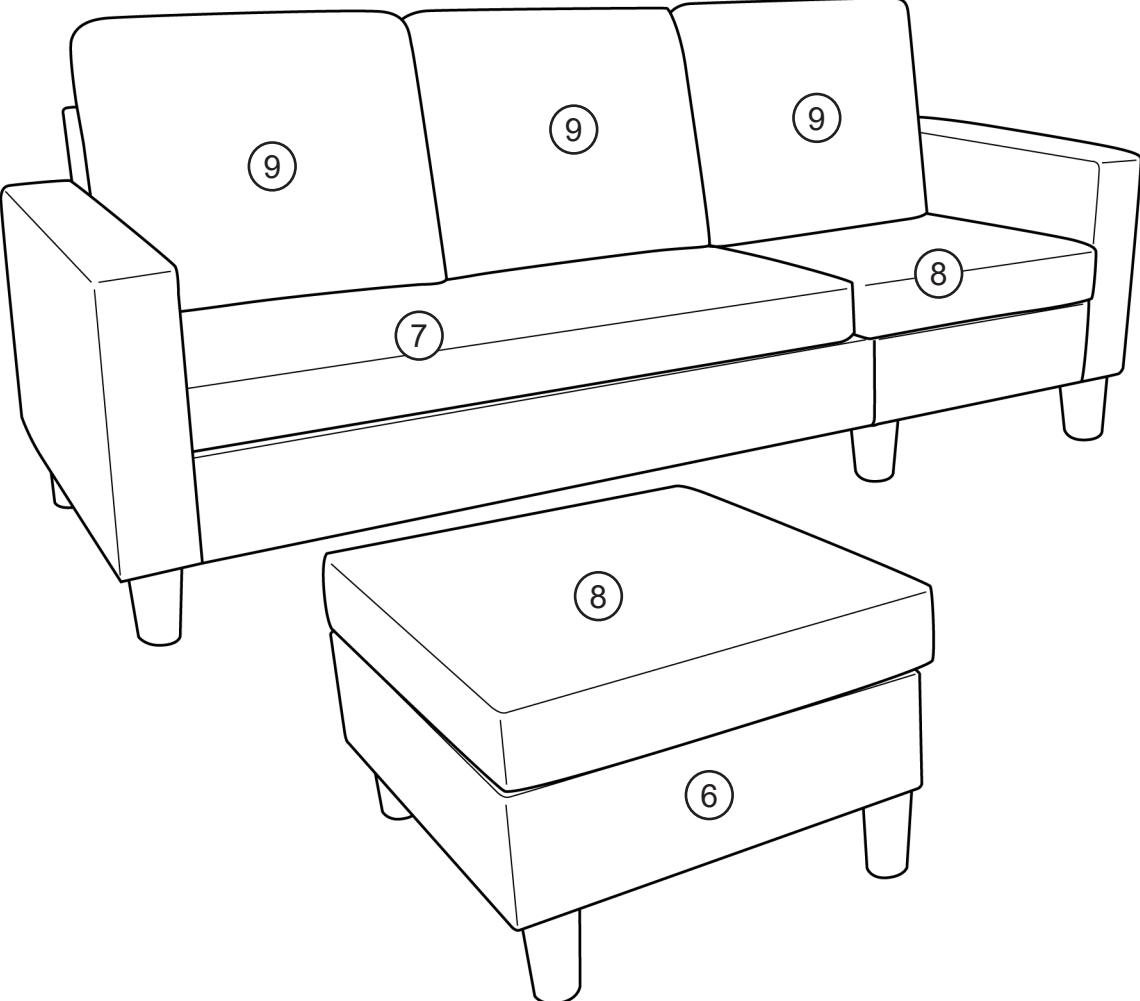
7

Option 1



Option 2





FINISHED!

FURNITURE CARE AND MAINTENANCE

Thank you for your purchase. We want your item to last as long as possible. To ensure the product gives you years of service, please refer to this care and maintenance guide.




MAINTENANCE

- Tighten all bolts and screws again within the first 2 weeks of assembly.
- Check the tightness of all bolts and/or parts every month, tighten them if necessary.



CLEANING

- Clean the furniture surface with a lightly dampened cloth or soft brush.
- Regularly clean the cloth surface with a vacuum cleaner.
- Dry the surface immediately after cleaning.

 DO NOT use bleach or alcohol detergent to clean the surface.

WARNING

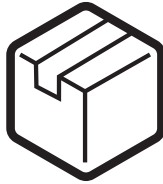
Manufacturer and seller expressly disclaim any and all liability for personal injury, property damage or loss, whether direct, indirect, or incidental, resulting from the incorrect attachment, improper use, inadequate maintenance, unapproved modification, or neglect of this product.

Warranty

Our products come with a 1 year warranty from the date of delivery. In any event that the product arrives damaged or missing parts, we are more than happy to provide you with replacement part(s). **Register your product on our website to enjoy extended warranty!!**



Contact Us



Replacement



You

You don't have to worry about re-packaging / schedule pick-up.