

INSTRUCTION MANUAL

ATTENTION

- You need a helper to finish the installation.
- DO NOT let children climb the furniture.
- To avoid suffocation danger, keep small parts and package materials away from children.
- Adult assembly required. Keep children away during the installation.
- You could use a 'corner guard' to protect children from injury caused by the product's edges.
- For detailed step-by-step guidance, please refer to the included instruction manual or visit the product page to view the complete assembly video.
- Carefully separate and identify all the parts included in your package. Confirm that you have all the components listed in the instruction manual. If any parts were missing, broken or delivered incorrectly

ASSEMBLY INSTRUCTIONS

Before beginning the assembly process, please read and save these instructions for reference.

Following these guidelines will ensure a smooth and successful assembly of your product.

- **Work Surface:** To prevent any scratches or damage to the product, assemble it on a soft mat or a similar protective surface. This will provide a cushioned area for the components and protect the surfaces from unwanted marks.
- **Step-by-Step Assembly:** Follow the assembly instructions provided, proceeding one step at a time. Take care to understand each step properly before proceeding to the next one. This sequential approach ensures that the assembly is done correctly and minimizes the chance of errors.
- **Proper Screw Seating:** When attaching screws and nuts, it is essential not to fully tighten them until all screws are correctly seated. By partially tightening each screw and nut initially, you can ensure that they are aligned properly and fit securely before final tightening.
- **Avoid Over-Tightening:** While each screw and nut should be tightened correctly, it is crucial not to over-tighten them. Over-tightening can cause damage to the product or compromise its structural integrity. Use the appropriate amount of force to secure the components without excessive tightening.

FORMALDEHYDE EMISSION COMPLIANCE

This product complies with the formaldehyde emission standards set forth in the Toxic Substances Control Act (TSCA) Title VI. The composite wood products used in this product meet the U.S. Environmental Protection Agency (EPA) requirements for formaldehyde emissions.

The following materials used in this product comply with the TSCA Title VI formaldehyde emission limits:

- Medium Density Fiberboard (MDF)
- Particleboard

For more information about TSCA Title VI regulations, please visit the official EPA website at www.epa.gov.

WARNING: RISK OF TIP-OVER/CUSTOMER



Children have died from furniture tipover. To reduce the risk of furniture tipover:

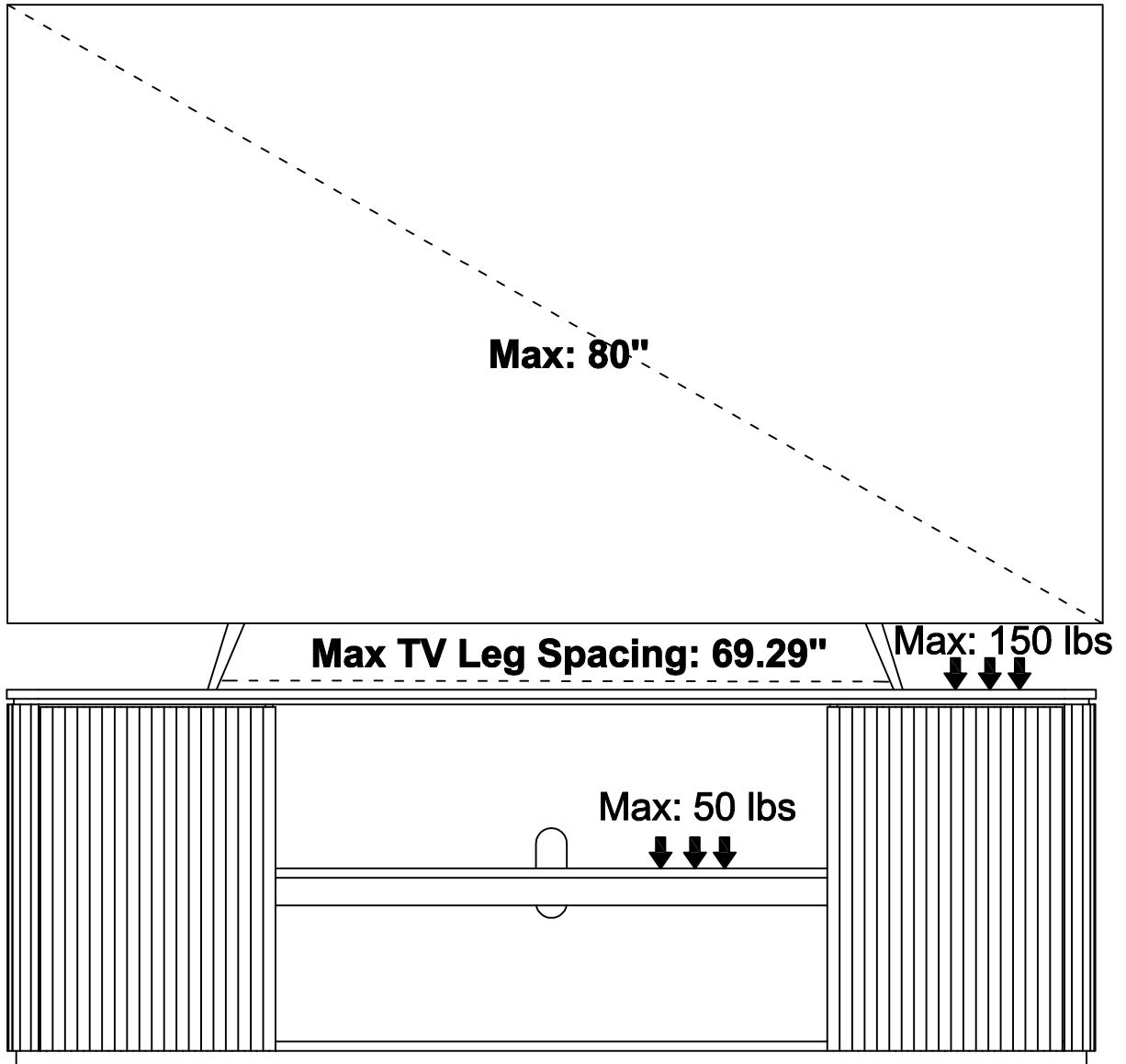
- ALWAYS install tipover restraint provided.
- NEVER exceed the maximum size and weight of the TV shown in the instructions.
- NEVER allow children to stand, climb or hang on drawers, doors, or shelves.
- Place the heaviest items at the bottom.

CUSTOMER SERVICE

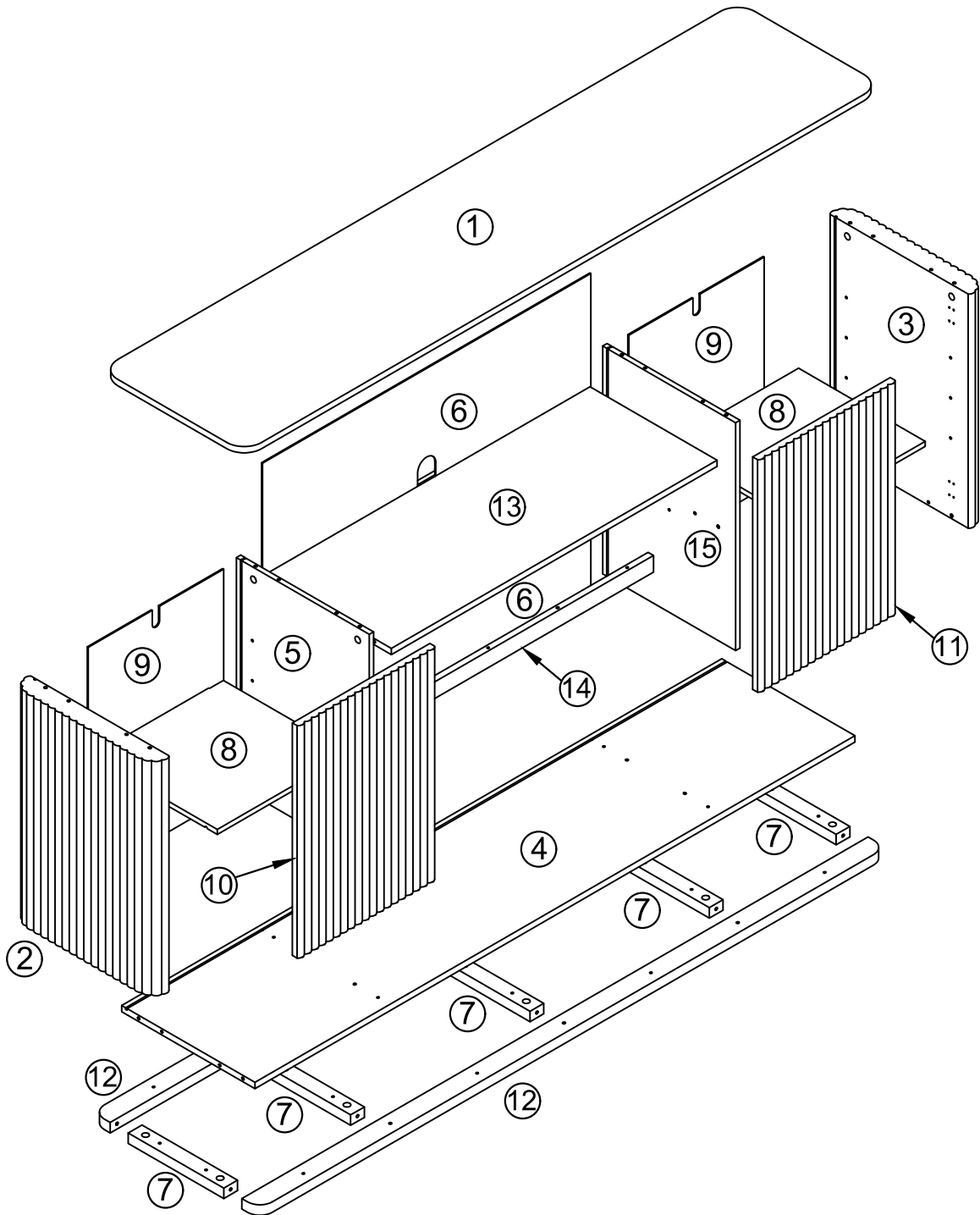
If you encounter any questions or problems during the assembly process, please do not hesitate to contact us.

We strive to provide excellent customer support and will respond to your inquiries within 24 hours. Our team will offer you a suitable solution to address any concerns you may have.

TV SIZE & WEIGHT LIMITS



PARTS LIST

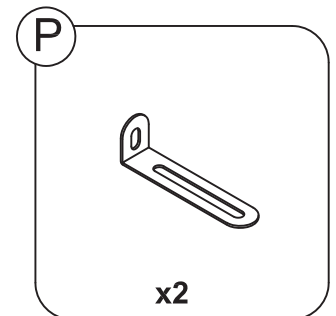
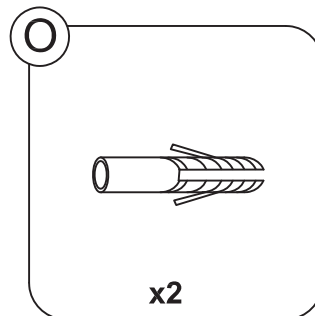
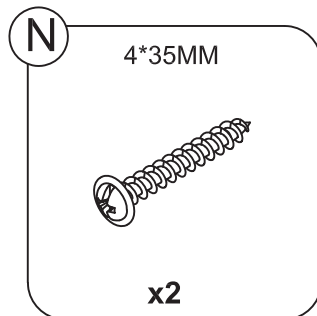
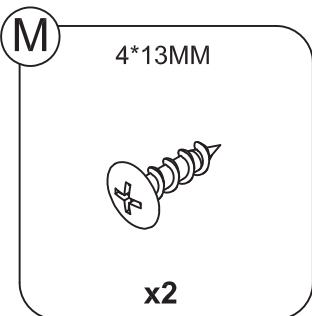
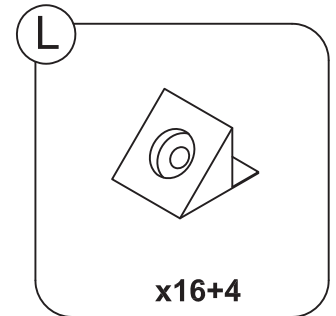
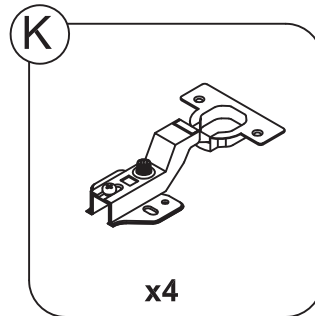
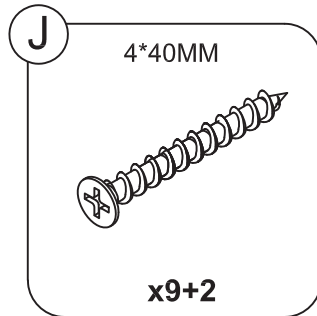
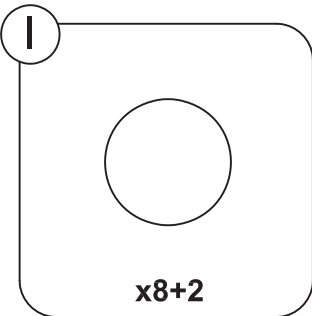
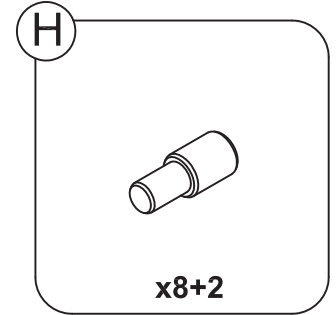
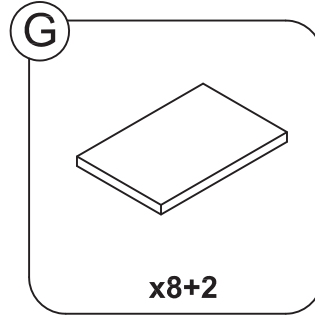
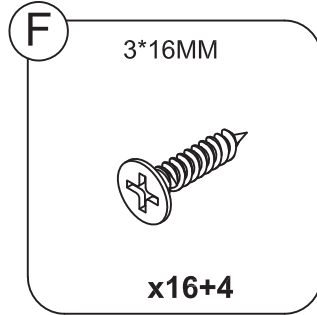
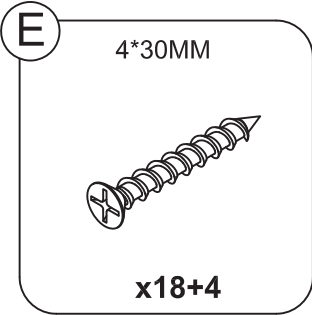
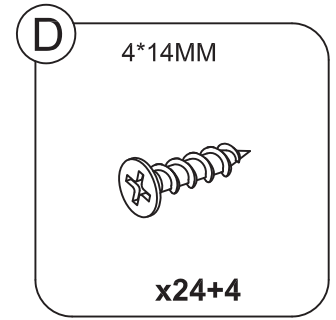
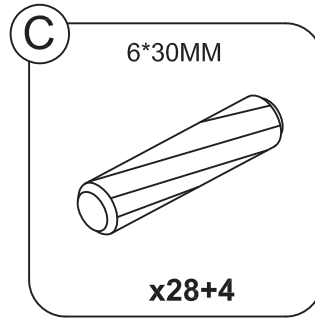
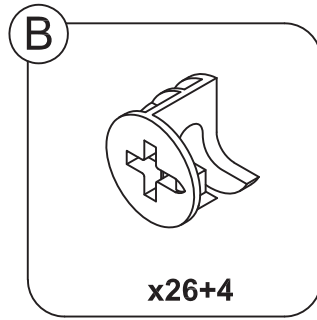
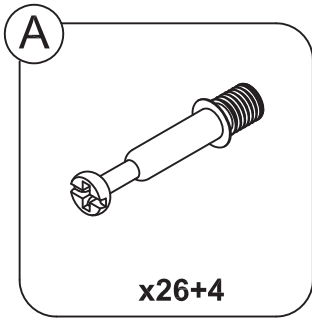


TOOLS
REQUIRED



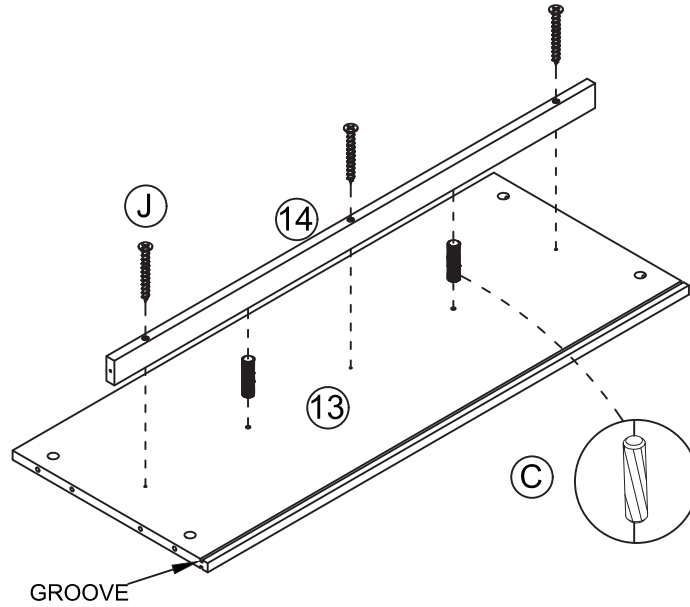
2 PERSON
ASSEMBLY

HARDWARE

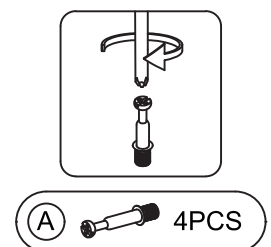
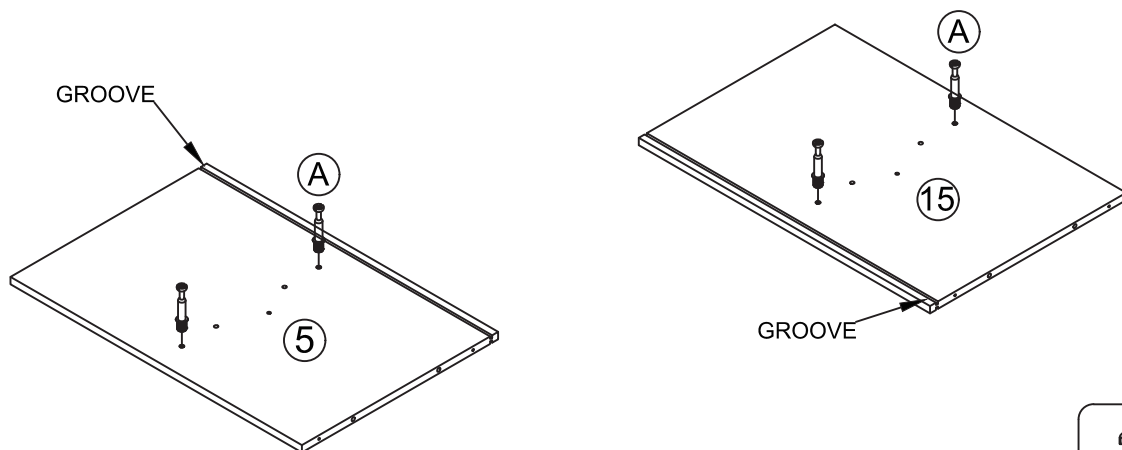


INSTALLATION STEPS

Step 1

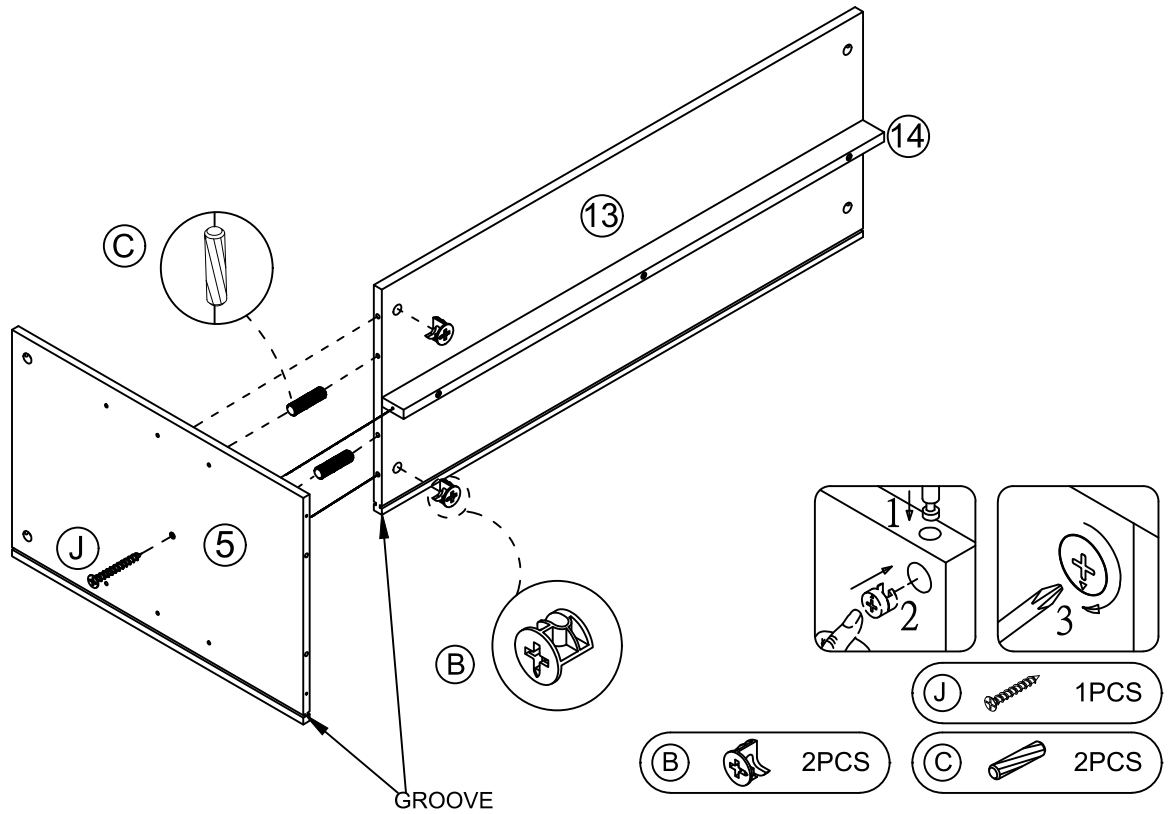


Step 2

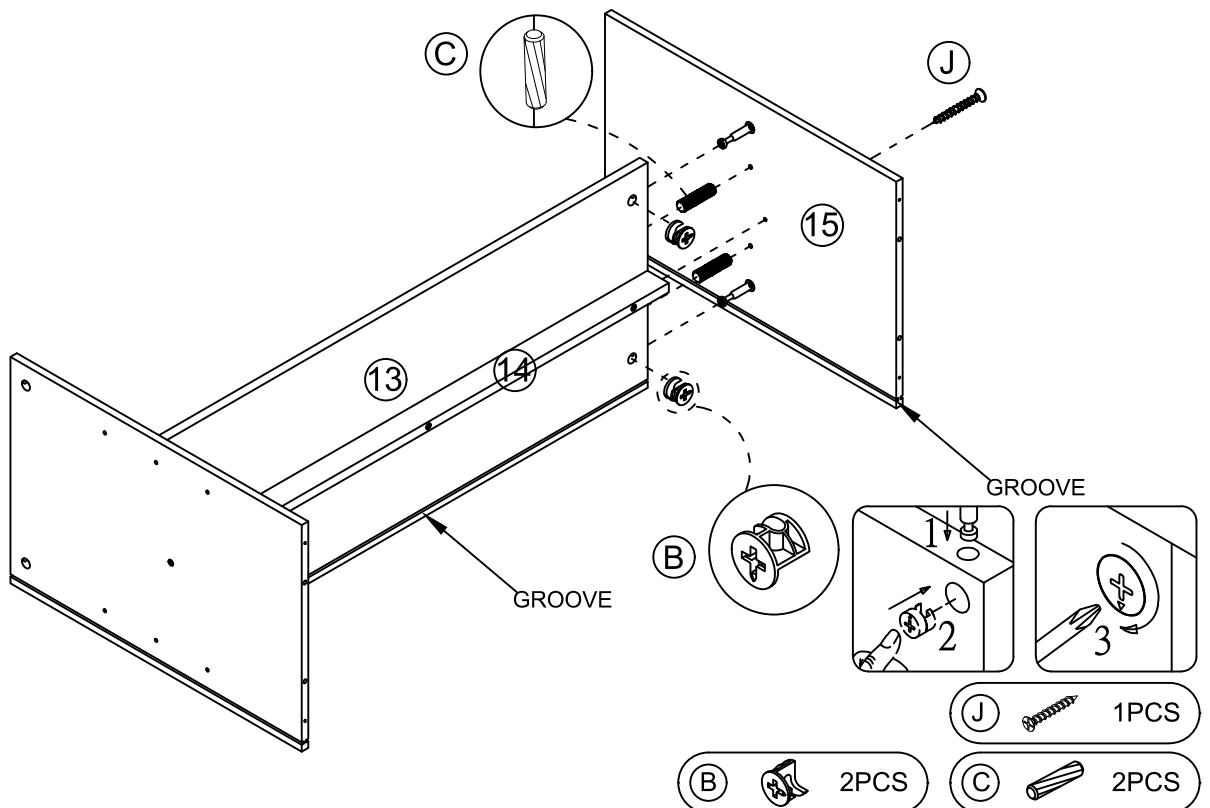


INSTALLATION STEPS

Step 3

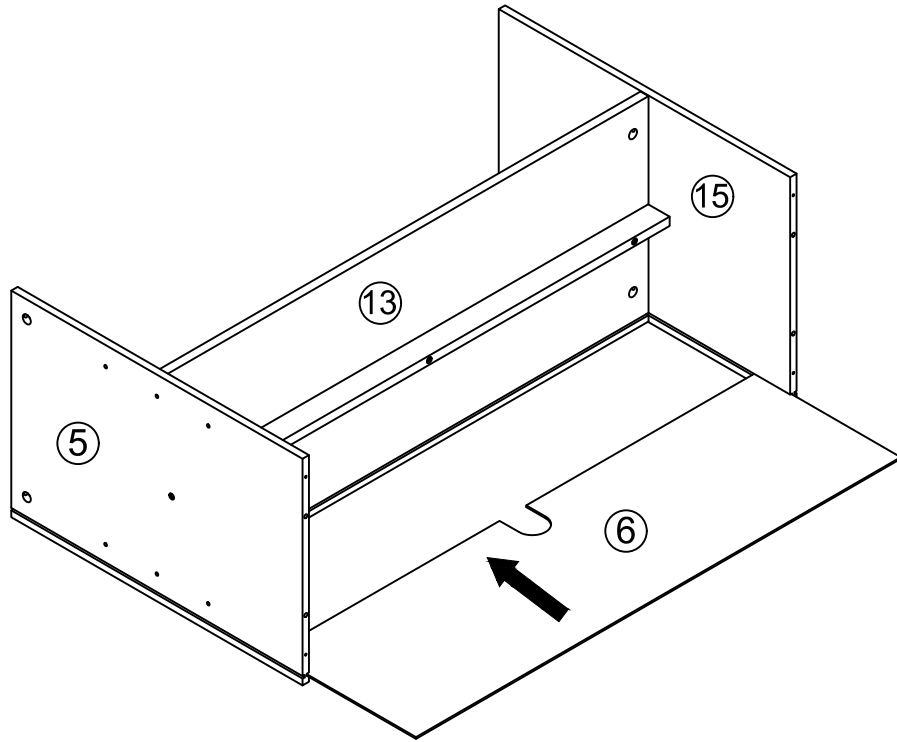


Step 4

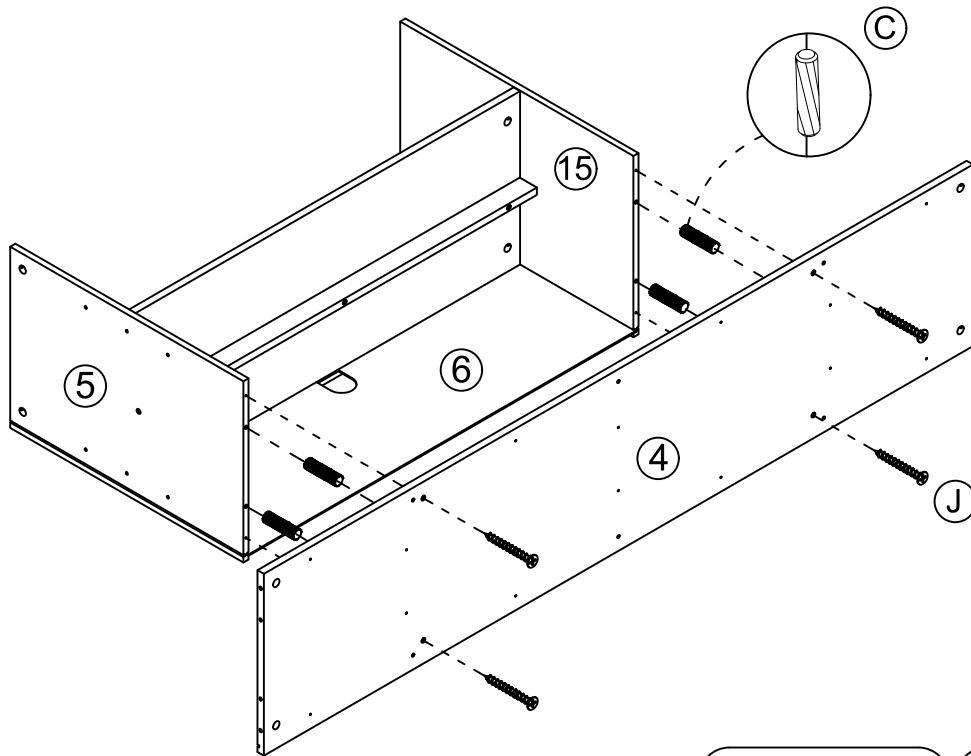


INSTALLATION STEPS

Step 5

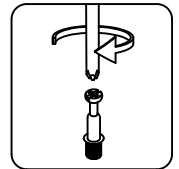
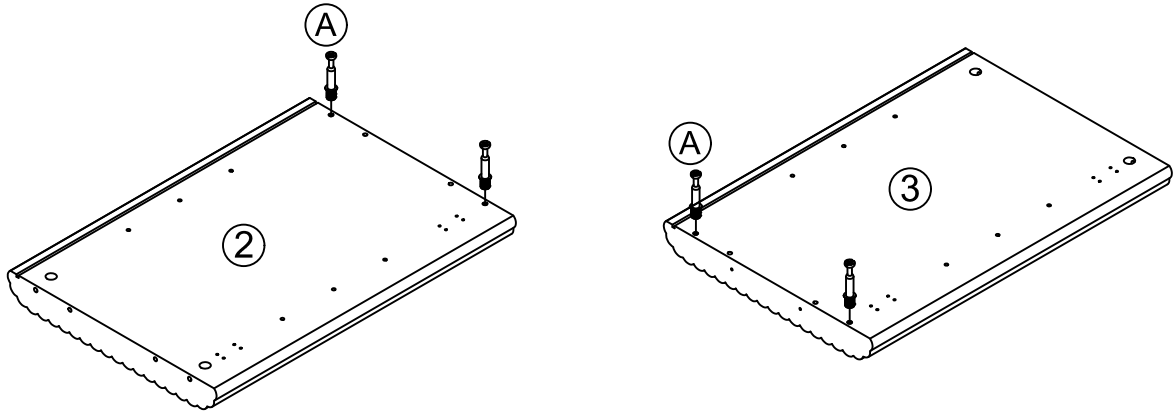


Step 6



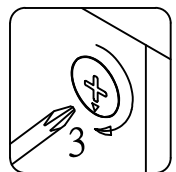
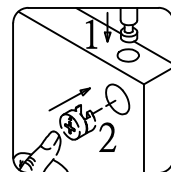
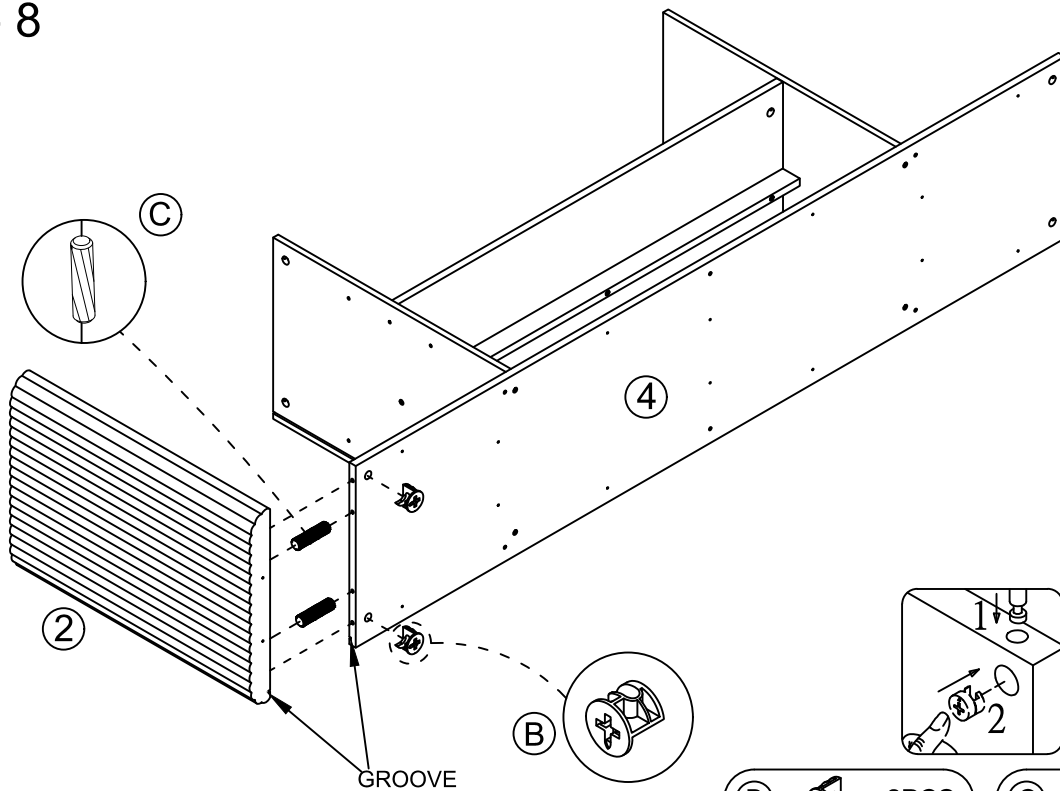
INSTALLATION STEPS

Step 7



(A) 4PCS

Step 8

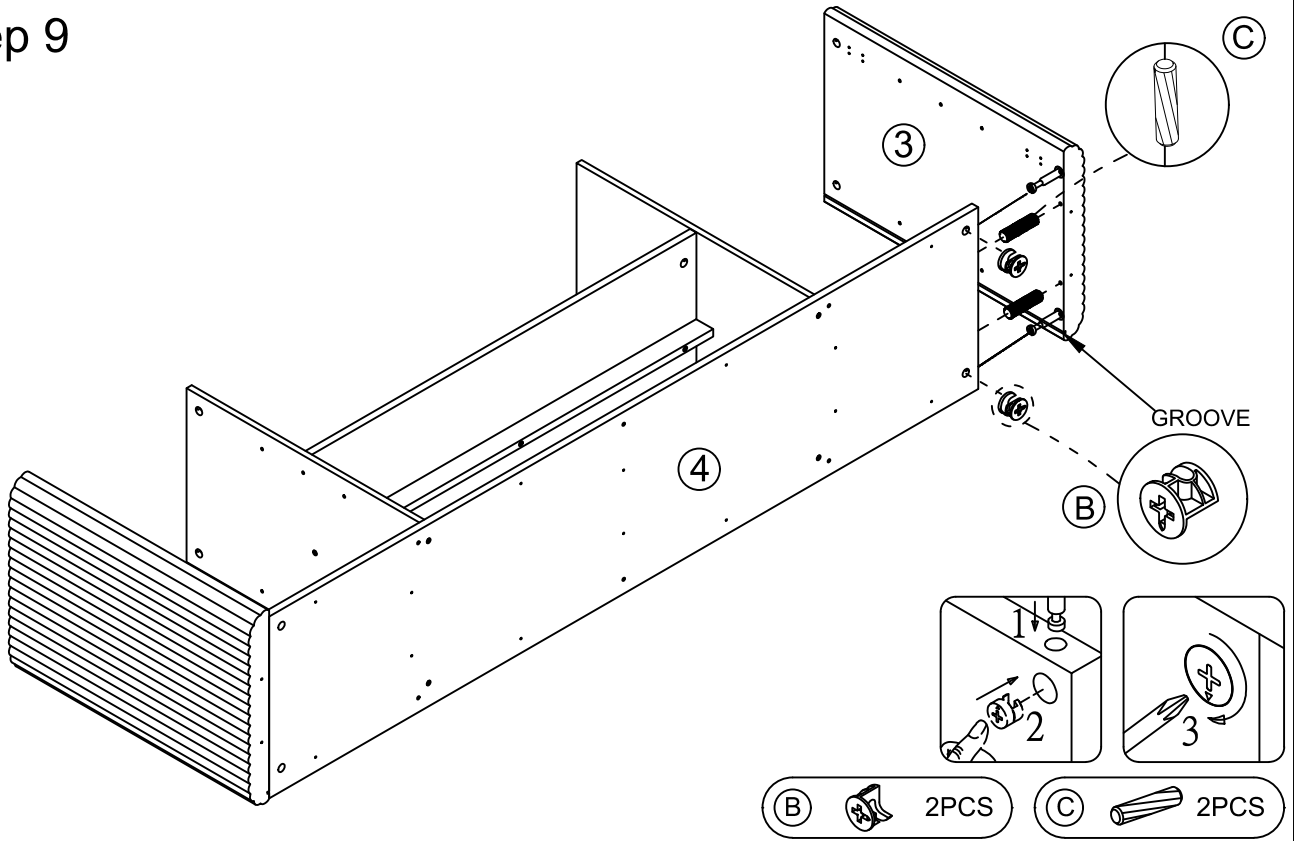


(B) 2PCS

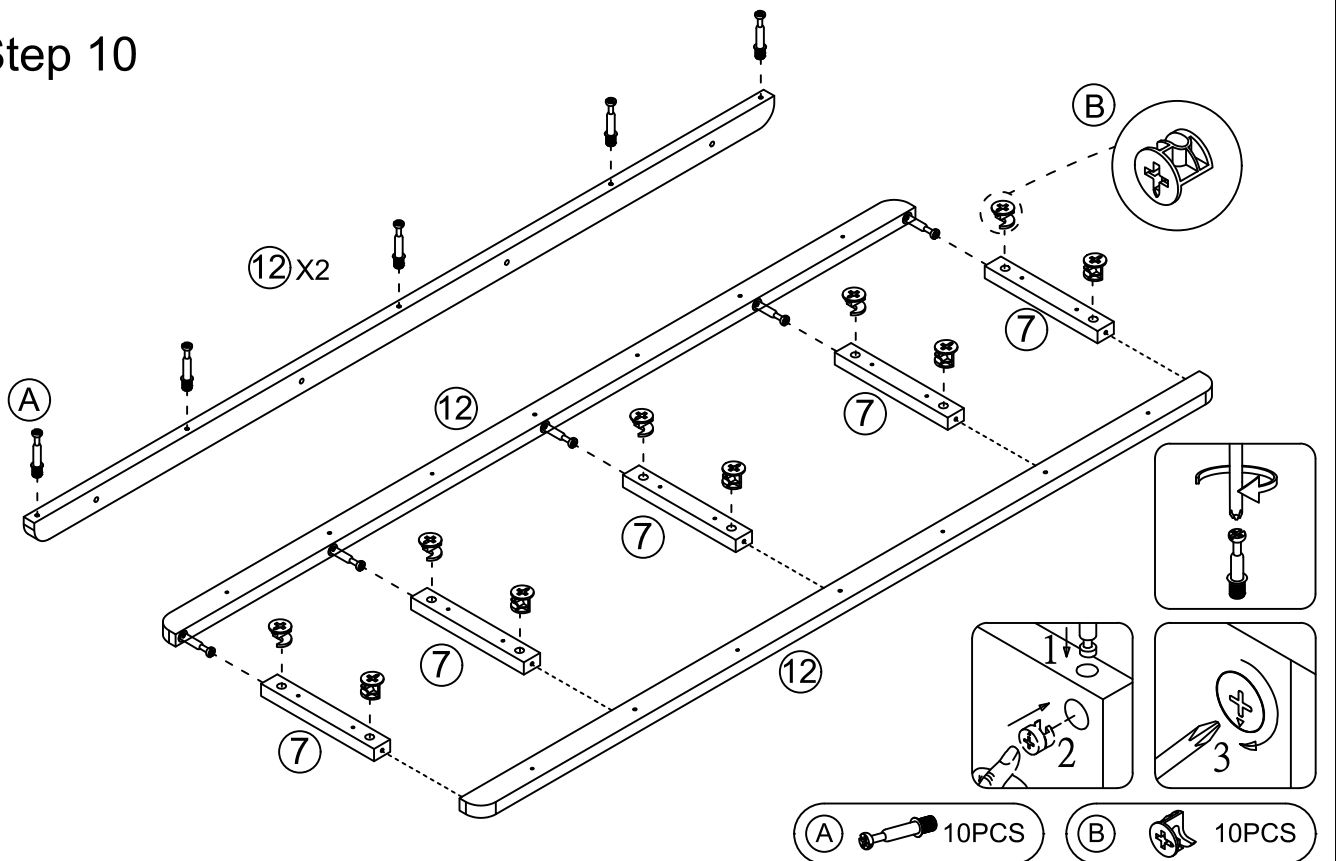
(C) 2PCS

INSTALLATION STEPS

Step 9



Step 10

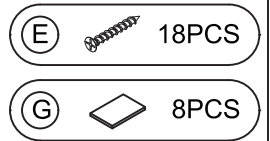
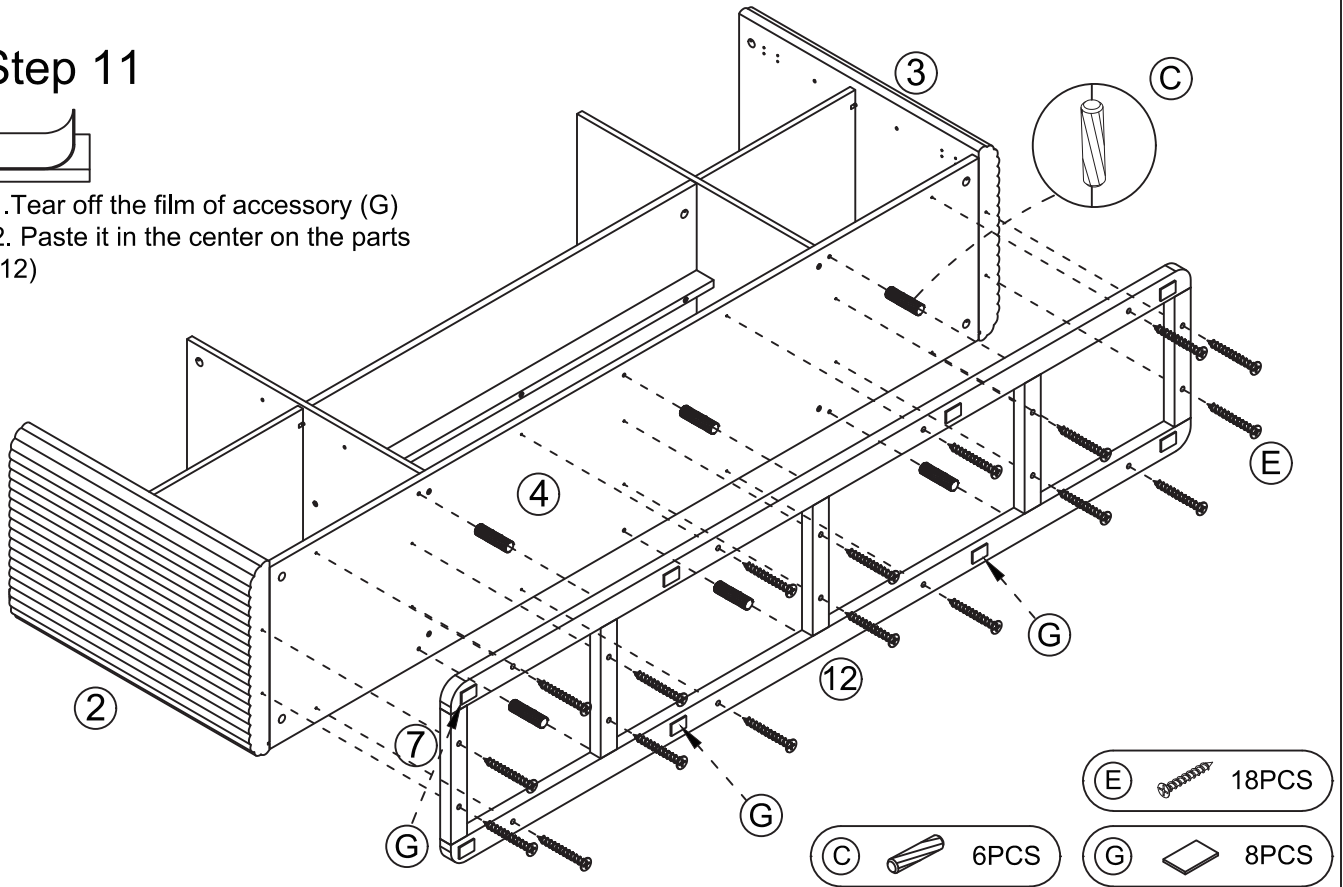


INSTALLATION STEPS

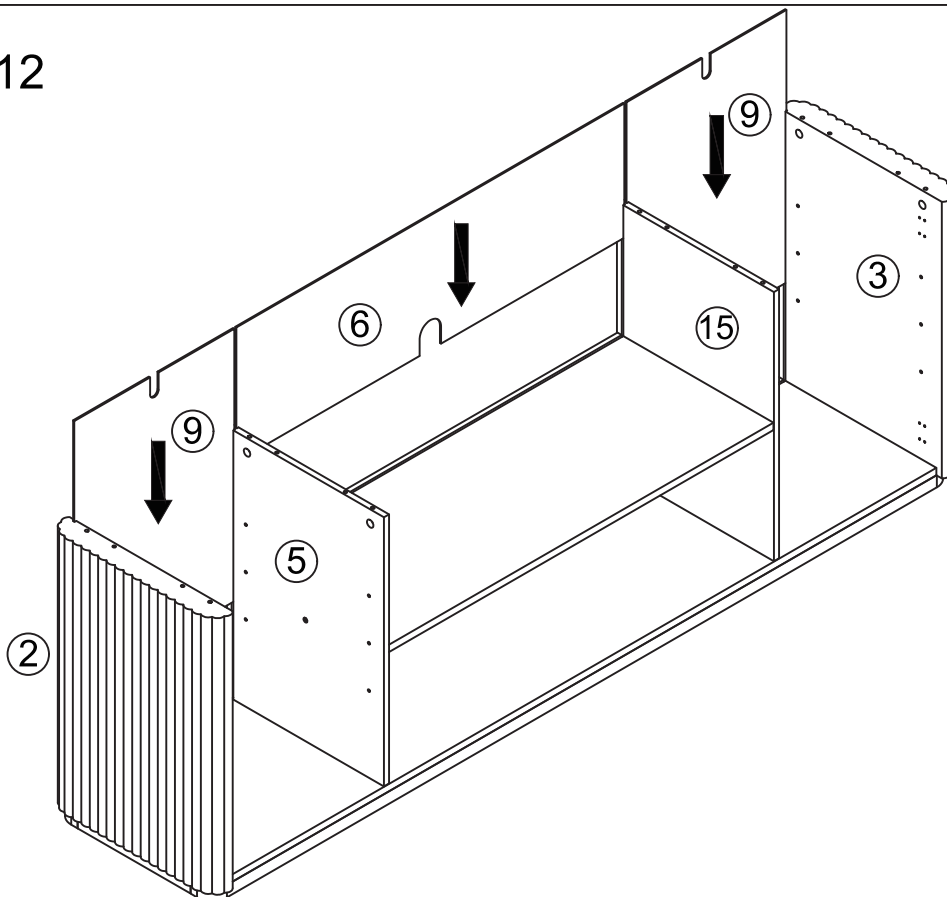
Step 11



1. Tear off the film of accessory (G)
2. Paste it in the center on the parts (12)

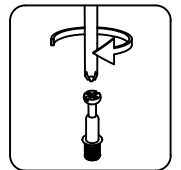
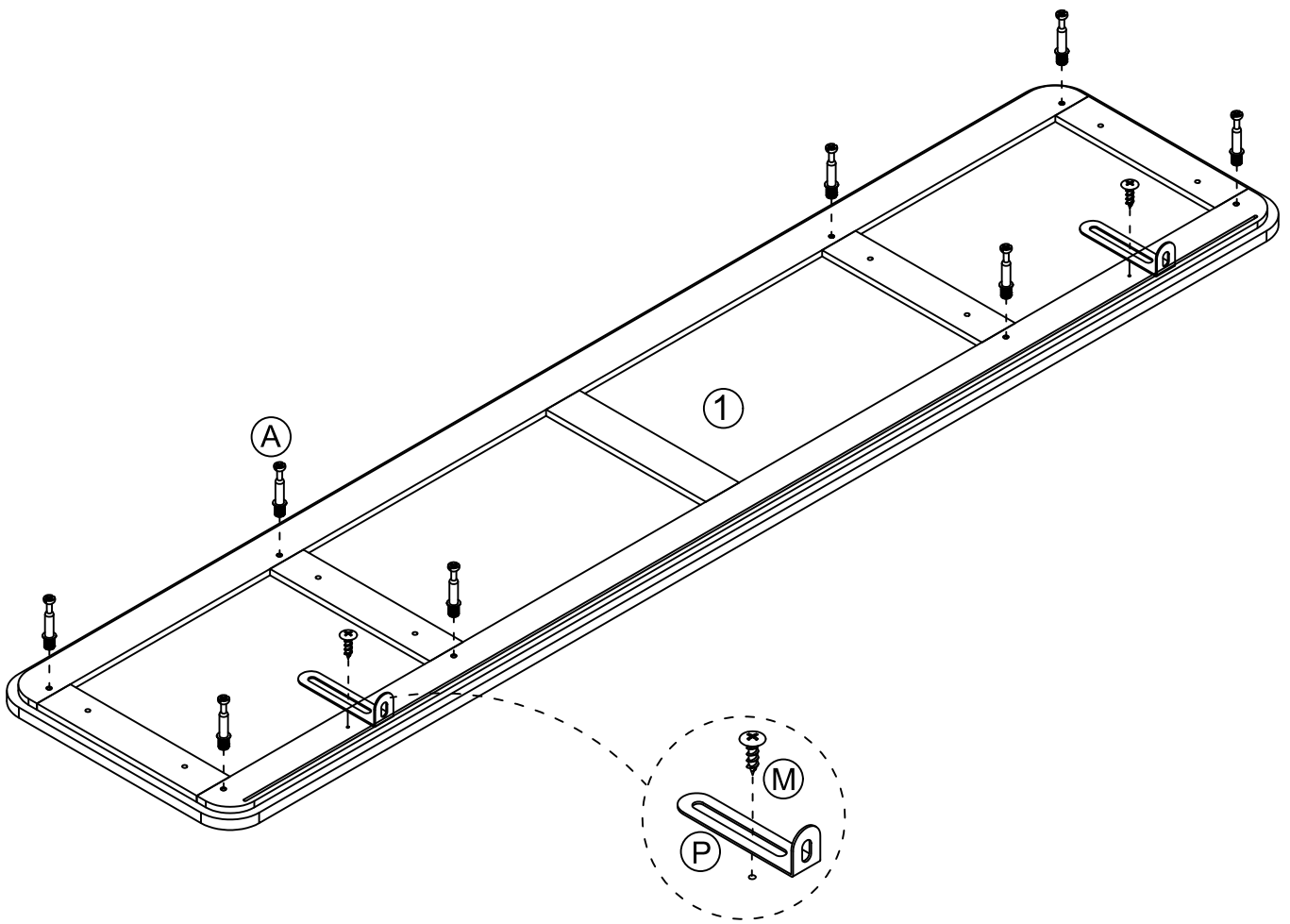


Step 12



INSTALLATION STEPS

Step 13



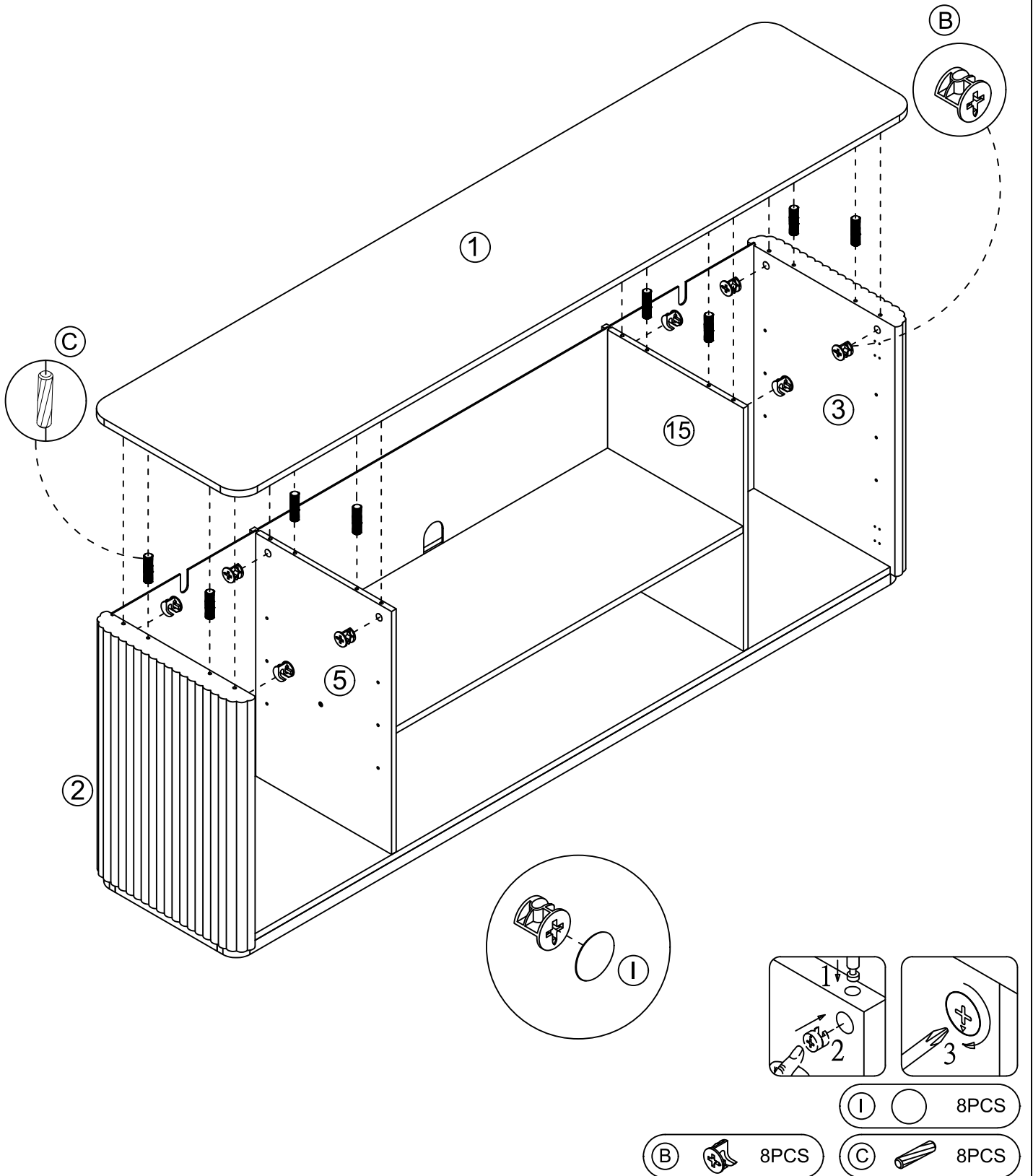
(A) 8PCS

(M) 2PCS

(P) 2PCS

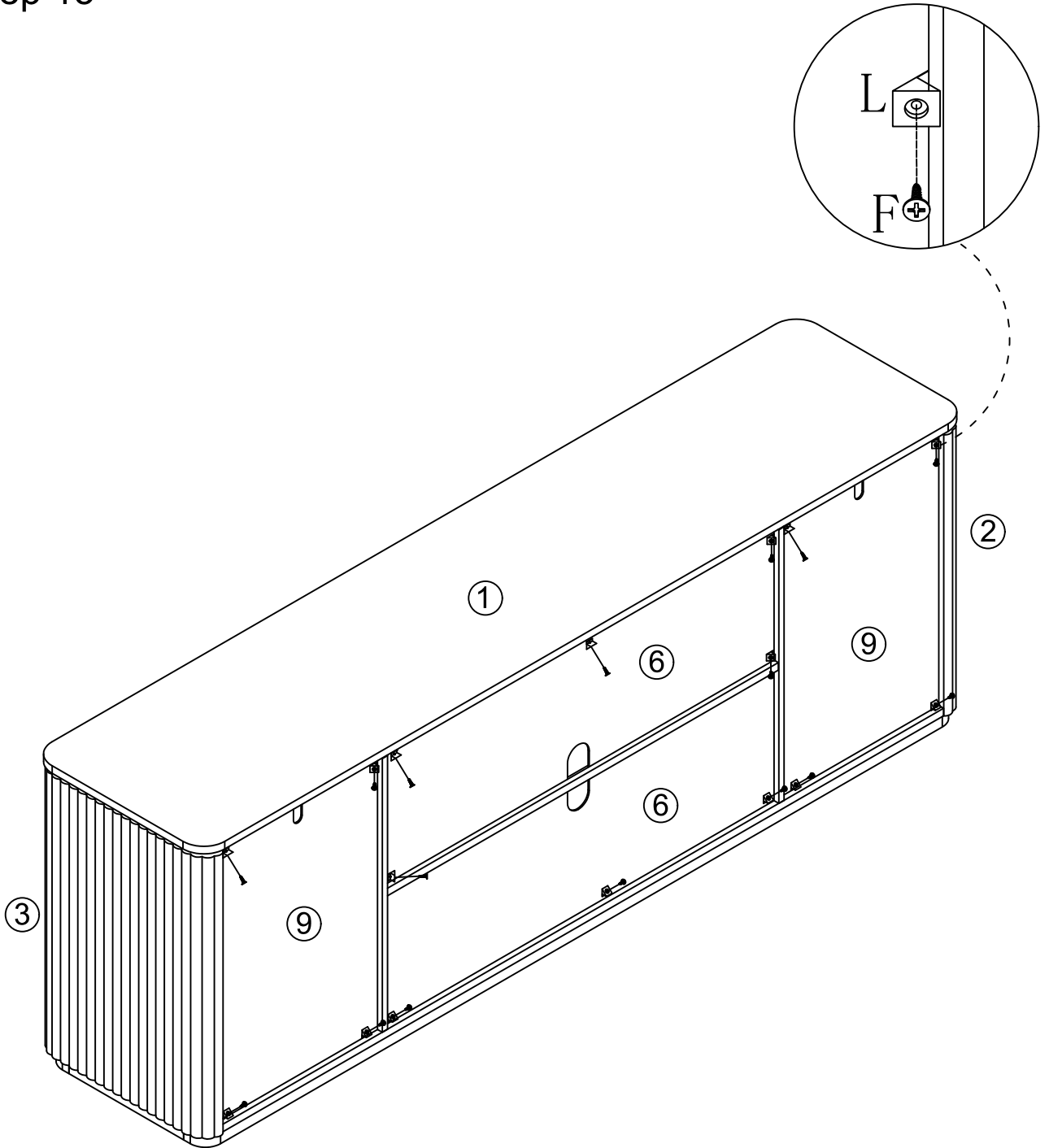
INSTALLATION STEPS

Step 14



INSTALLATION STEPS

Step 15

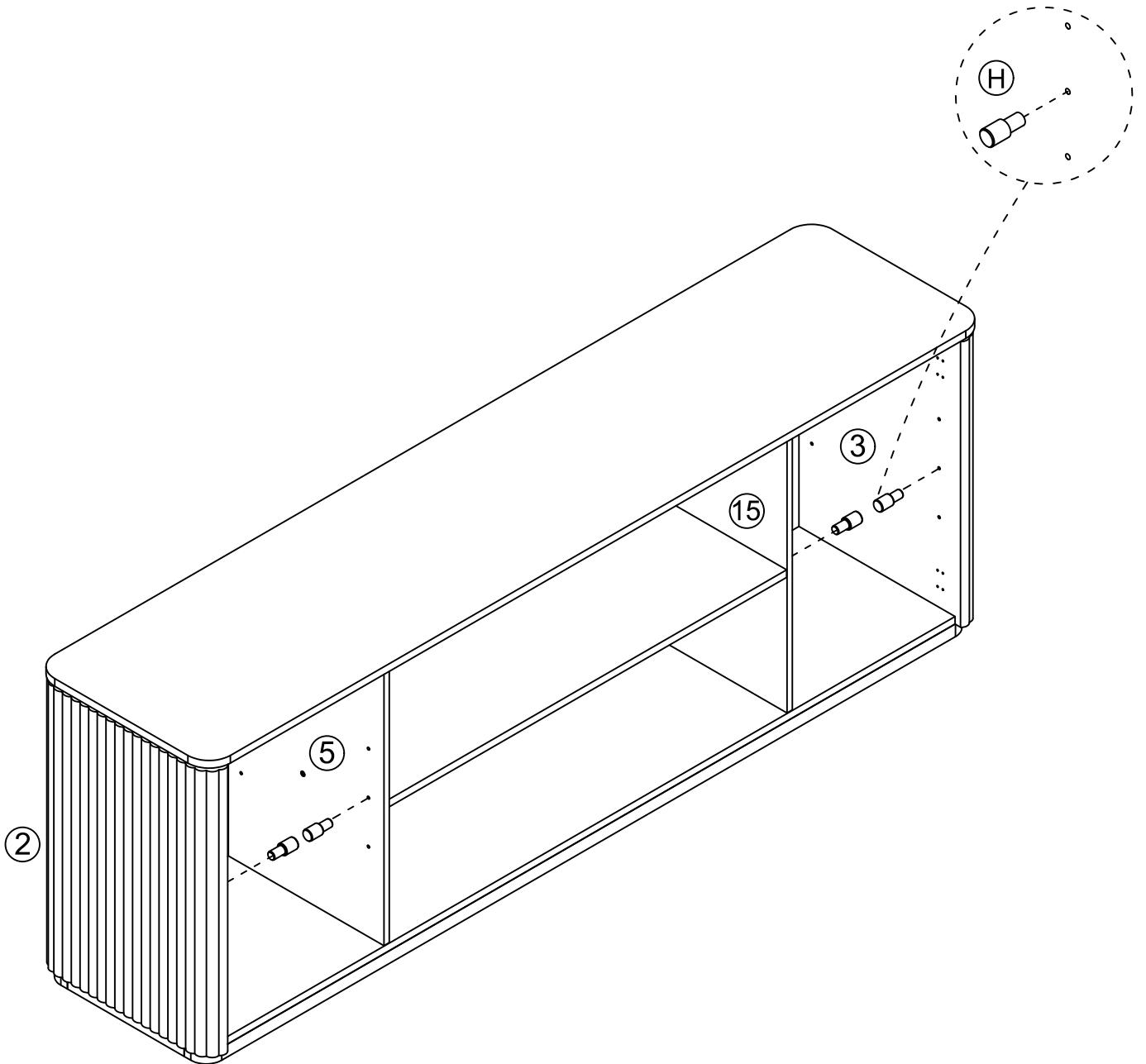


(F)  16PCS

(L)  16PCS

INSTALLATION STEPS

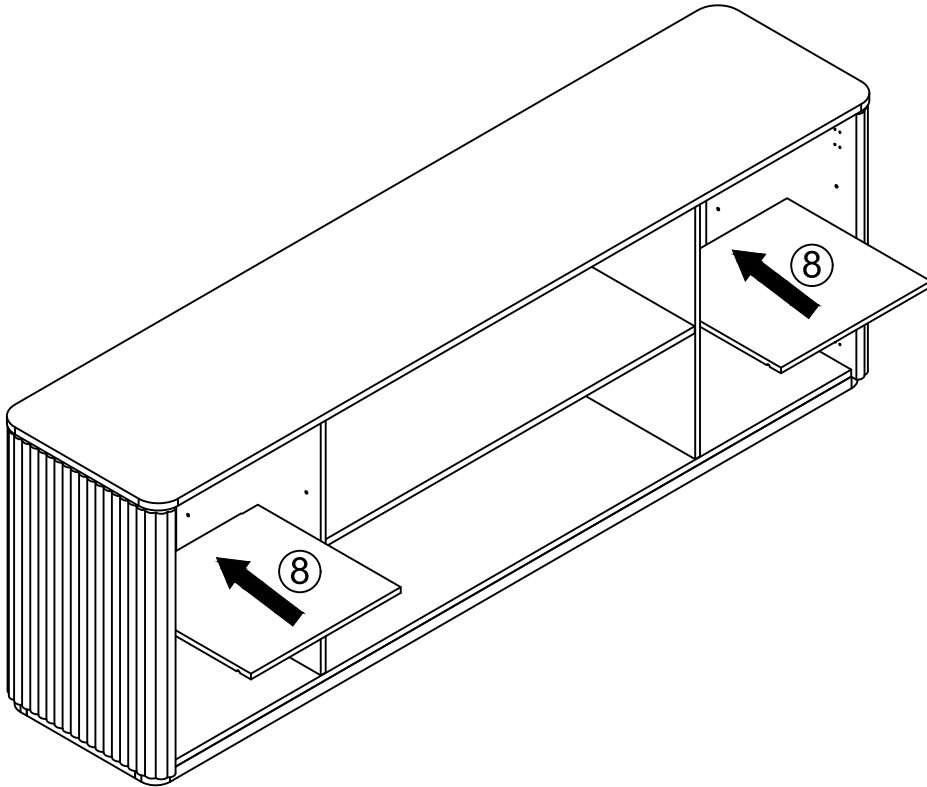
Step 16



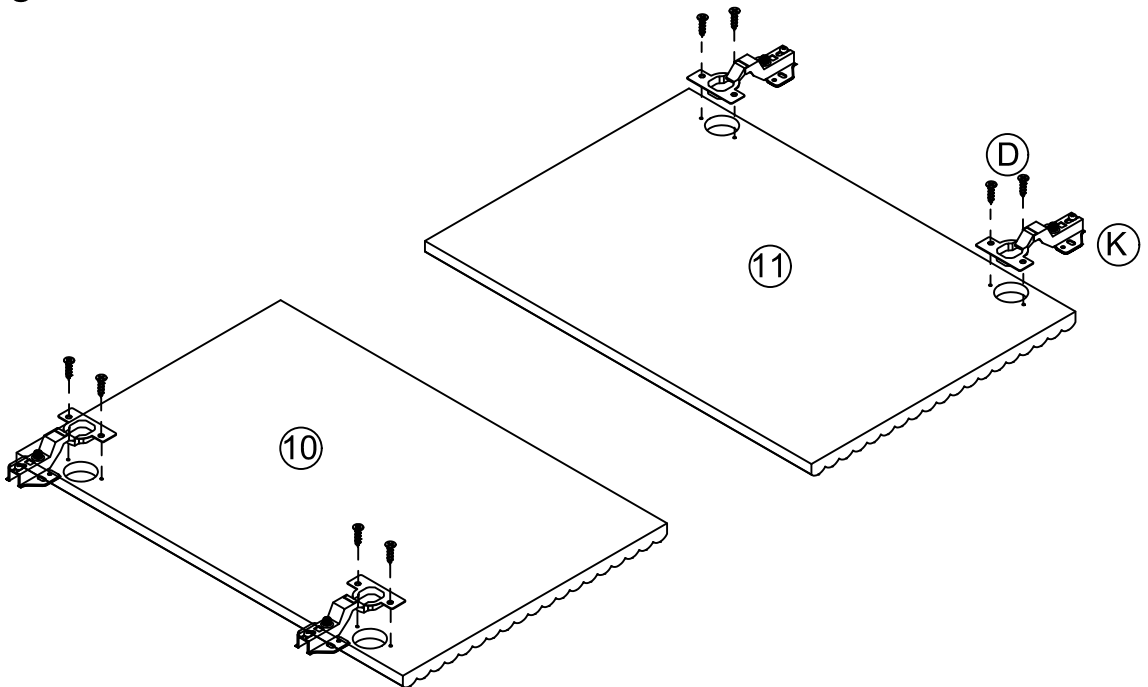
(H) 8PCS

INSTALLATION STEPS

Step 17

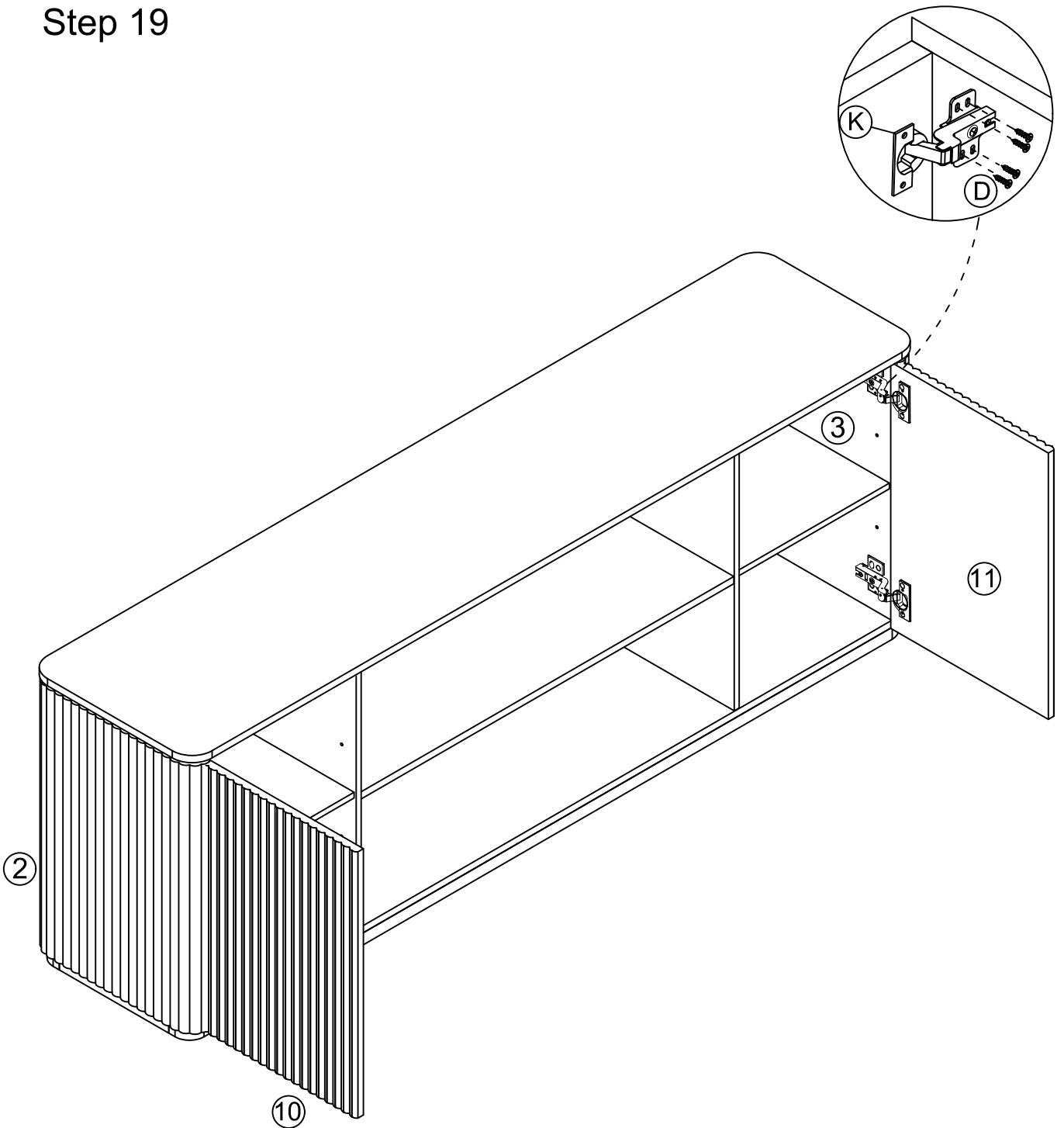


Step 18



INSTALLATION STEPS

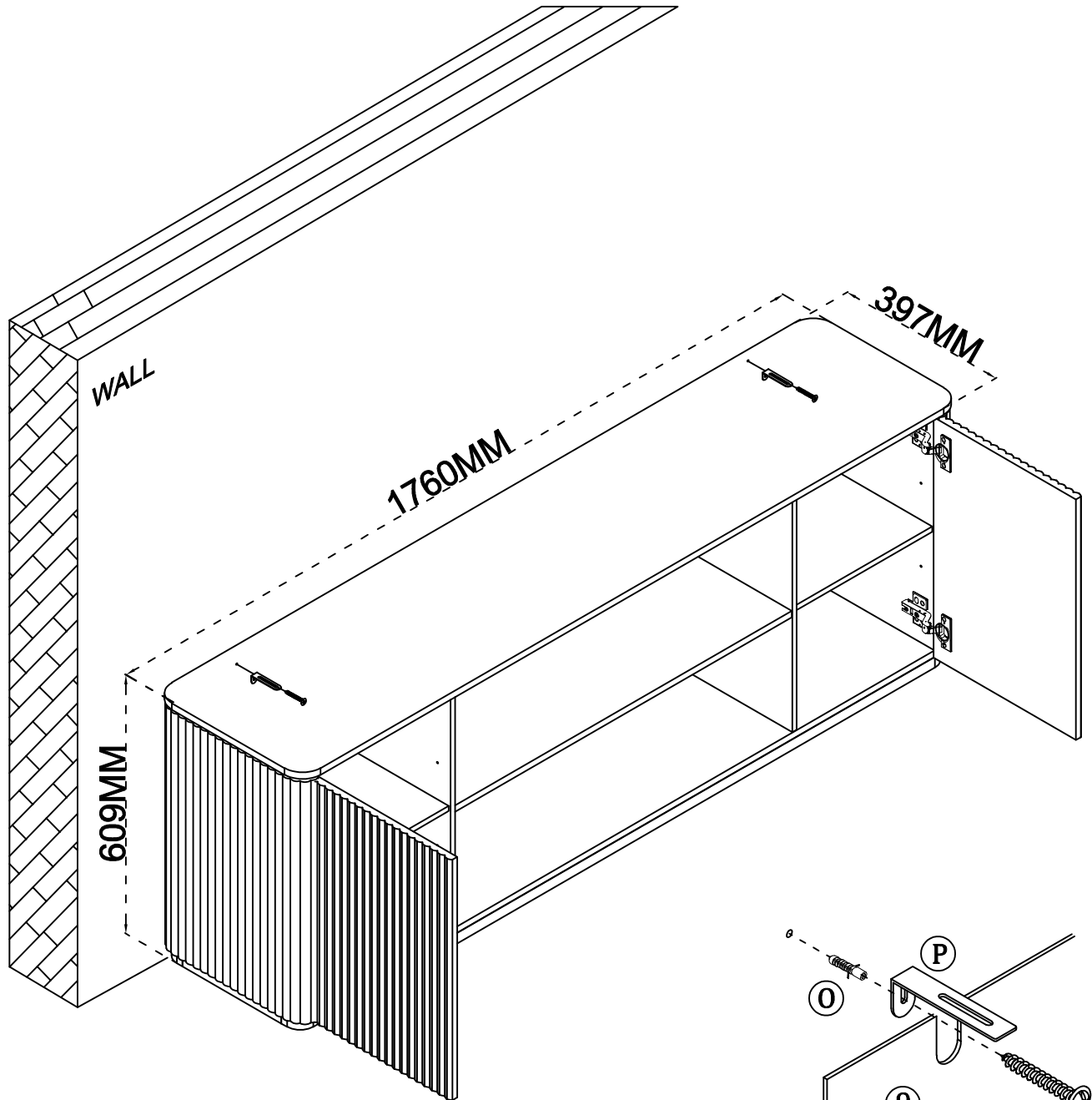
Step 19




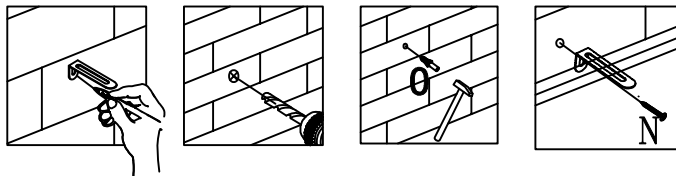
(D)  16PCS

INSTALLATION STEPS

Step 20

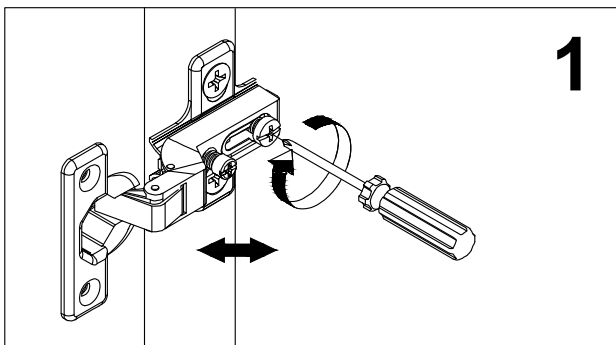
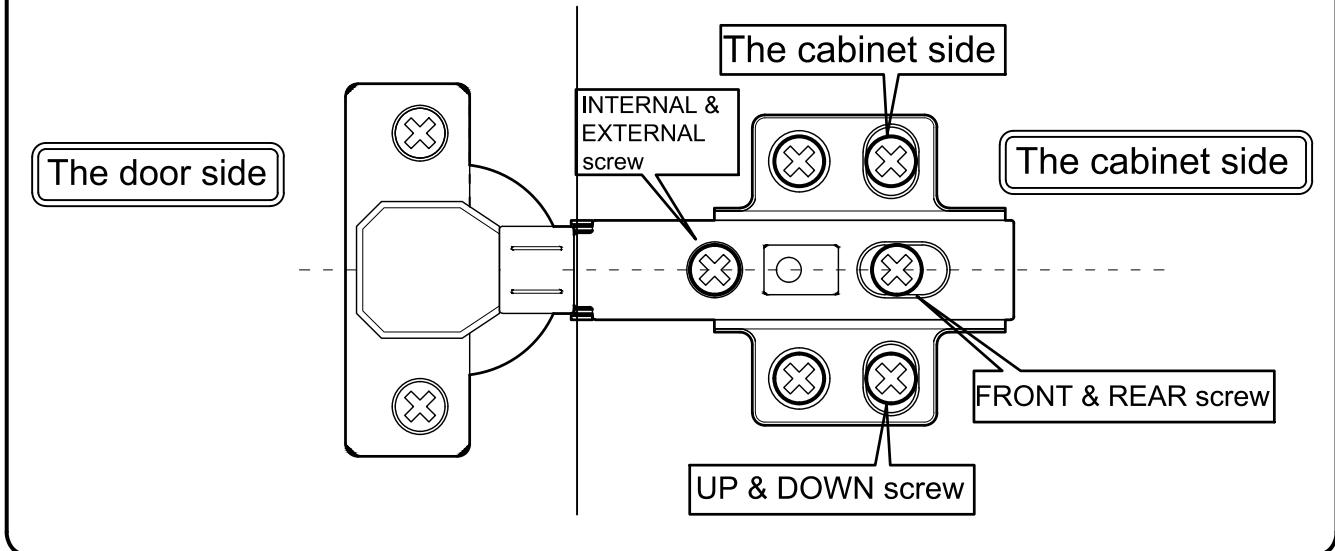


 To prevent tip-over, this product must be securely attached to the wall using the included anti-tip kit.



INSTALLATION STEPS

Components Name



Doors may need to be adjusted after the initial shipping of the cabinet . The cabinet doors have a three-way adjustment fea-ture. Height, side to side, level and depth can be adjusted. With the hinge slightly closed you can access the middle screw for up / down adjustment. With the hinge fully extended you can access the front and back screws. These screws will move the door side to side and in and out.

