

Assembly & Installation Instructions

CAUTION: Read instructions carefully and turn electricity off at main circuit breaker panel before beginning installation.

WARNING - If any Special Control Devices are used with this Fixture, Follow the instructions Carefully to assure full compliance with N.E.C. requirements. If there are any questions, contact a Qualified Electrical Contractor.

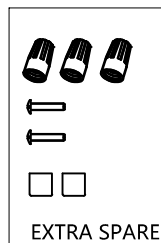
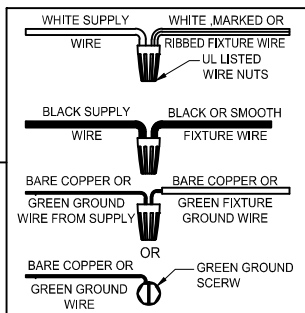
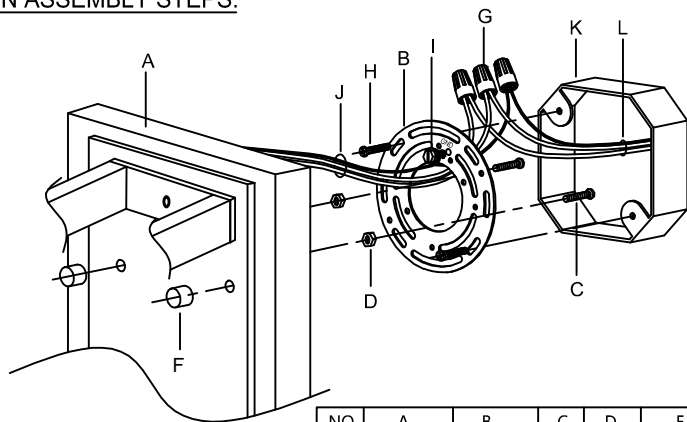
WARNING - This product contains chemicals known to the State of California to cause cancer, birth defects and /or other reproductive harm. Thoroughly wash hands after installing, handling, cleaning, or otherwise touching this product

CAUTION - All glass is fragile, use care when handling Glass component(s) and or Lamp(S).

CANOPY MOUNTING & WIRE CONNECTION ASSEMBLY STEPS:

1. C.I → B
2. D → C
3. B.H → K
4. J.L → G
5. A.F → C

K.L (Wire and Mounting Box Not Included)



| NO | A | B | C | D | E | F | G | H |
|-----------|---|---|---|---|---|---|---|---|
| Part list | | | | | | | | |
| QTY | 1 | 1 | 2 | 2 | 1 | 2 | 3 | 2 |

FIXTURE ASSEMBLY STEPS :

1. M → A
2. E → A

M (Bulb Not Included)

