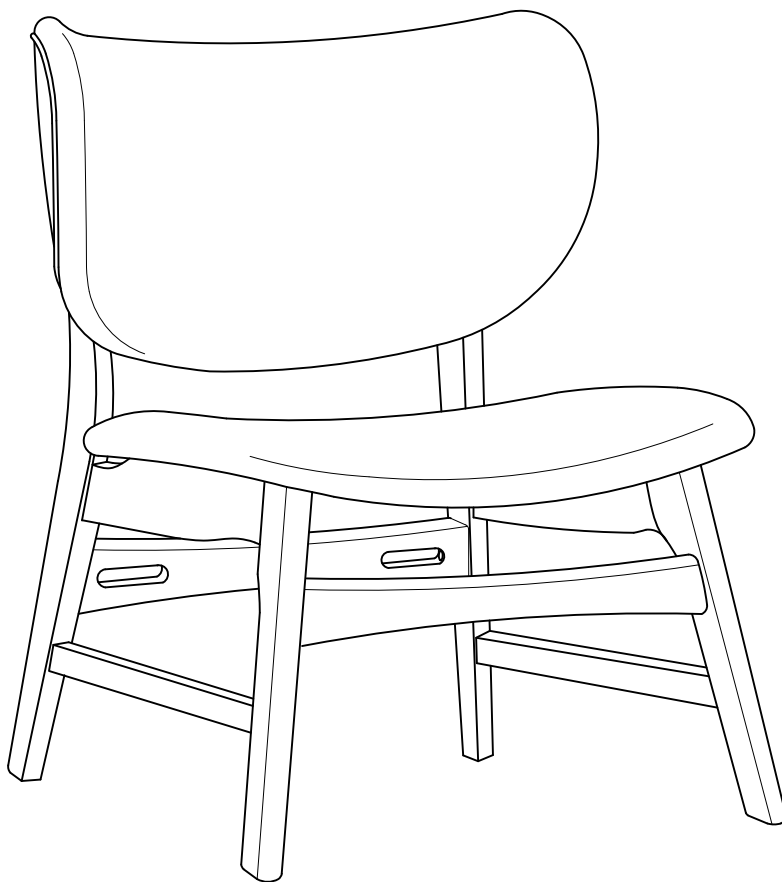


ASSEMBLY INSTRUCTIONS



TOOLS REQUIRED



Screwdriver
(Not included)



Allen Wrench
(Included)



2 - People

ASSEMBLY RATING



EASY → DIFFICULT

The Assembly Rating is a 5-point system showing the level of the effort needed to assemble a specific product.



CHECK BEFORE STARTING

Are you missing anything?

Double-check all parts, hardware and accessories listed are all accounted for.

Check out our Quick Tips!

We recommend reviewing the pre-assembly handouts. Even experts need a refresher now and then!

Should we send any replacements?

Are there any irregularities or flaws in the parts? We can send replacements!

Prep Time!

Please review the assembly instructions and all diagrams prior to assembling.

PRE ASSEMBLY INSTRUCTION

We understand building ready-to-assemble furniture can be a challenging experience for some. To help avoid confusion, we have provided some helpful tips that may speed up the process.



Teamwork

ALWAYS have at least two people to help with transporting and assembling the product to avoid potential injury and/or damage.



Suitable Location

Assembling near the area of the intended location is highly recommended.



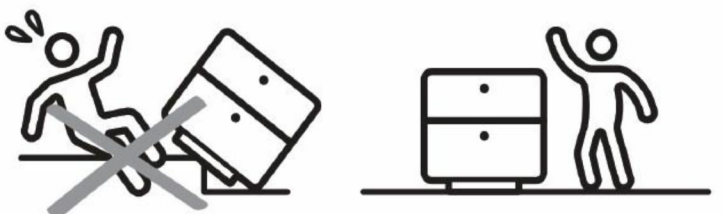
Sufficient Space

Make sure you have enough space to move around during the assembly.



Avoid Scratches

Use cardboard, blankets or a carpeted area while assembling furniture to prevent scratches and damages.



Flat Surface

Make sure the furniture rests on a flat and level surface with each leg evenly touching the floor.

ASSEMBLY AND CARE ADVICE



FAILURE TO FOLLOW THE GUIDELINES BELOW MAY RESULT IN INJURY AND/OR PROPERTY DAMAGE.



Position each part correctly, and insert screws or bolts into their respective holes.



Turn clockwise to tighten and only tighten when step is completed or when instructed to do so.



Use the appropriate handtools or power tools for assembly. Select steps, such as tightening screws and/or bolts, may require handtools to avoid causing damage during assembly.



Save the instruction and store any supplied tools for later maintenance.



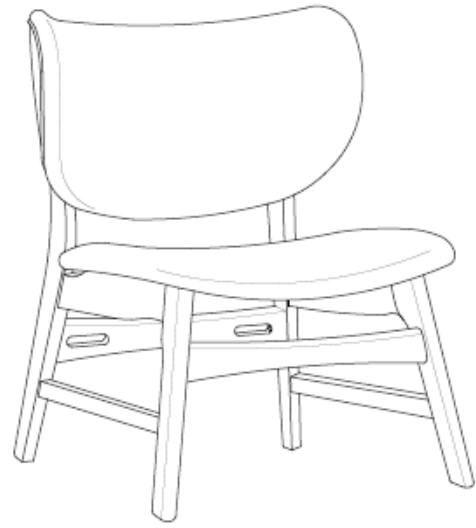
After two weeks, check and tighten any loose hardware and repeat again every six months thereafter.

IT IS THE USER'S RESPONSIBILITY MAINTAIN THE FURNITURE. THE HARDWARE MAY LOOSEN OVER TIME AND MAY CAUSE THE FURNITURE TO WOOLLY AND UNABLE TO SUPPORT ITS INTENDED WEIGHT CAPACITY. THIS MAY LEAD TO COLLAPSE AND MAY USE SERIOUS INJURY.

ACCENT CHAIR

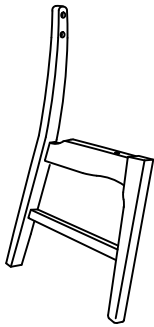


- Please keep instructions for future reference.
- Check the quantity and irregularity of parts and hardware before you start.



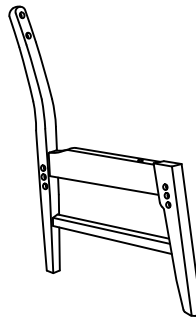
PARTS

1



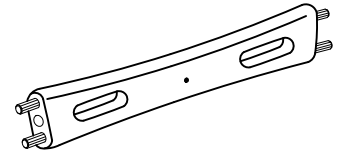
SIDE FRAME (LEFT)
1pc.

2



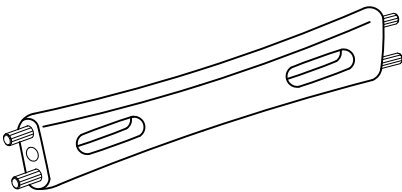
SIDE FRAME (RIGHT)
1pc.

3



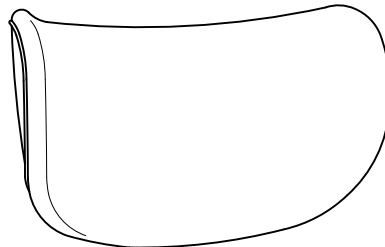
FRONT STRETCHER
1pc.

4



BACK STRETCHER
1pc.

5



TOP REST
1pc.

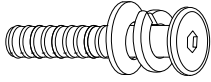
6



CUSHION SEAT
1pc.

HARDWARE

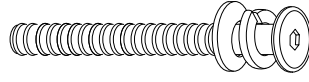
A



JCBC M6 x 30mm + S/W M6
+ F/W M6 x 13mm

4pcs.

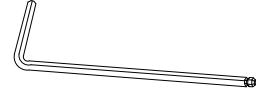
B



JCBC M6 x 50mm + S/W M6
+ F/W M6 x 13mm

4pcs.

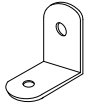
C



ALLEN KEY M4
(BALL SHAPE)

1pc.

D



L BRACKET

4pcs.

E



PH SCREW M4 x 12mm

8pcs.

F

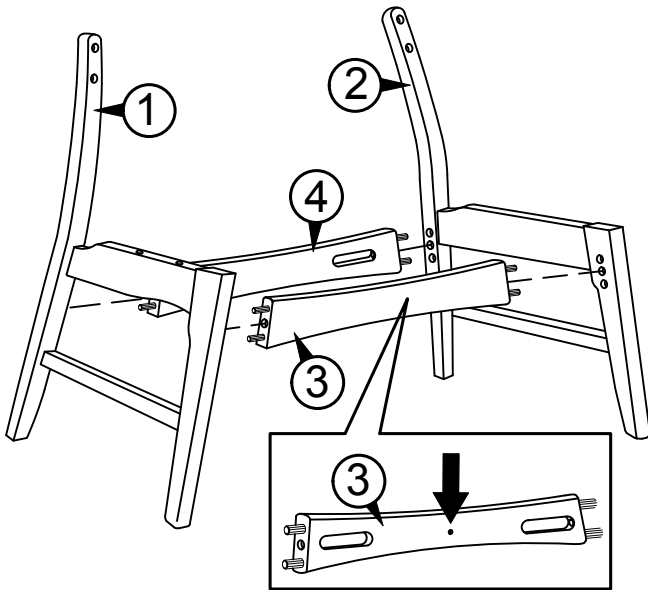


WOOD DOWEL M8 x 25mm

2pcs.

ASSEMBLY INSTRUCTIONS

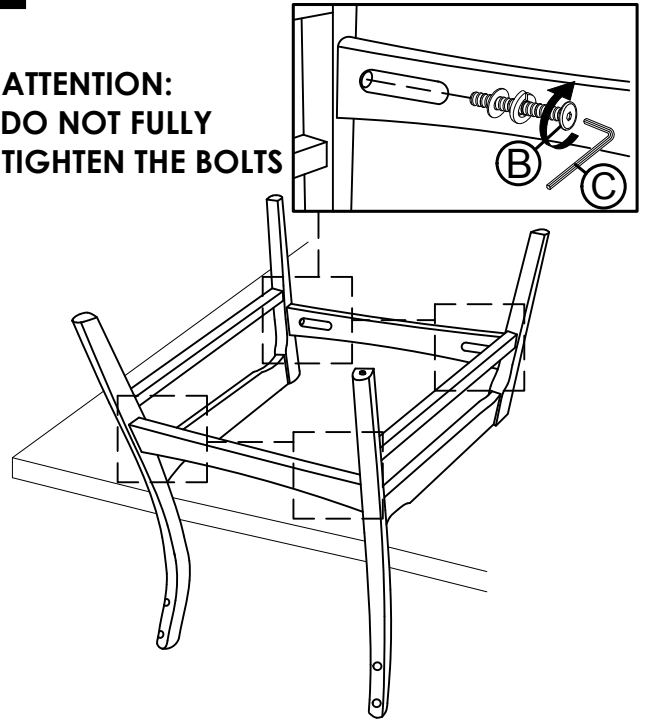
1



Front Stretcher (3) has a small hole for identification.

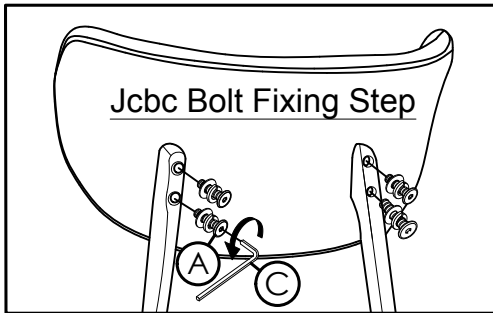
2

**ATTENTION:
DO NOT FULLY
TIGHTEN THE BOLTS**

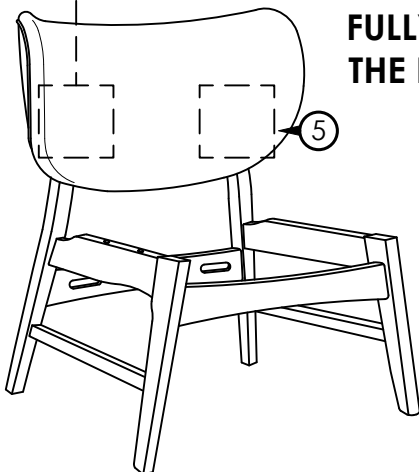


**ATTENTION:
DO NOT FULLY
TIGHTEN THE BOLTS**

3

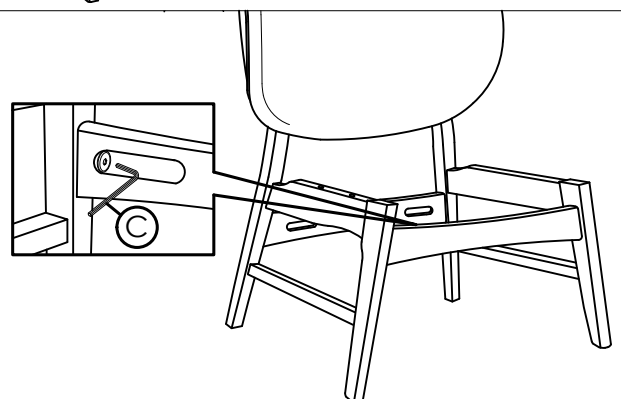
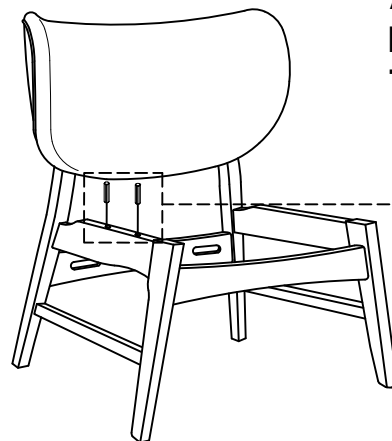


**ATTENTION:
FULLY TIGHTEN
THE BOLTS**



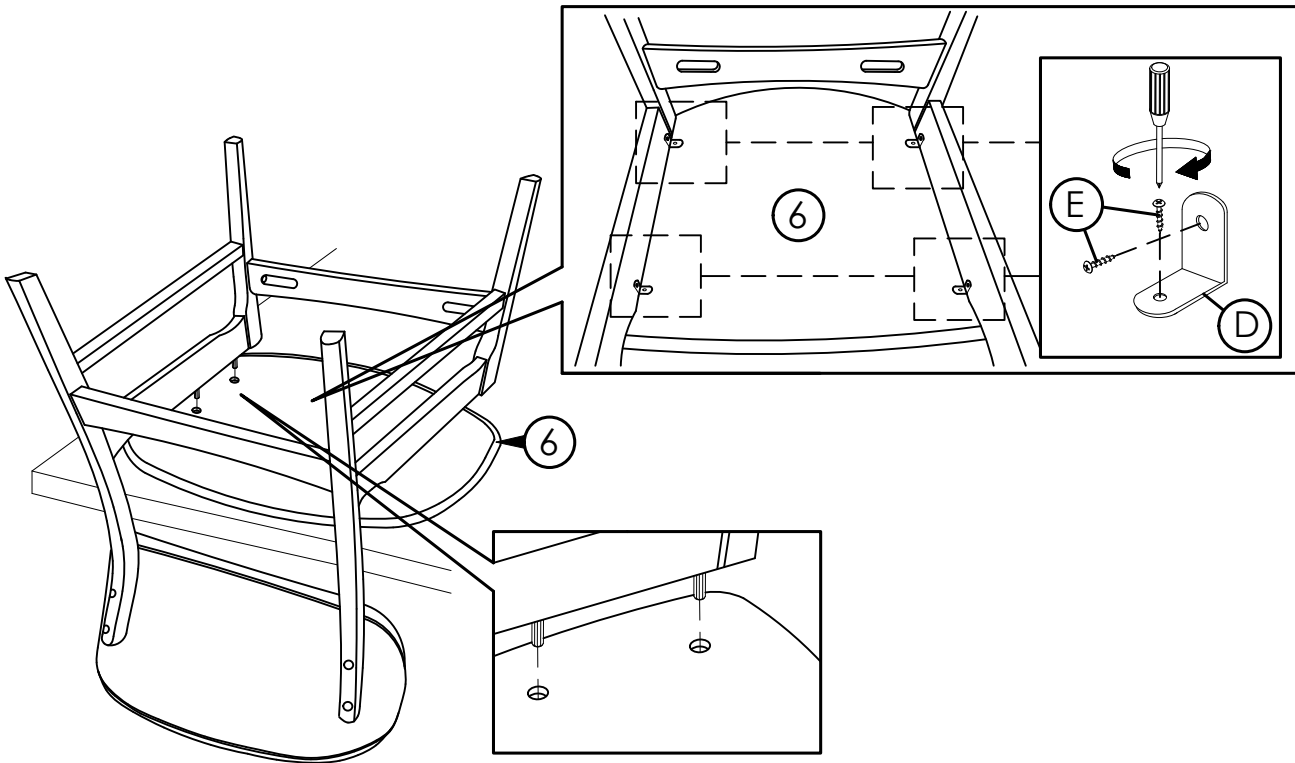
4

**ATTENTION:
PLEASE FULLY
TIGHTEN THE BOLTS**

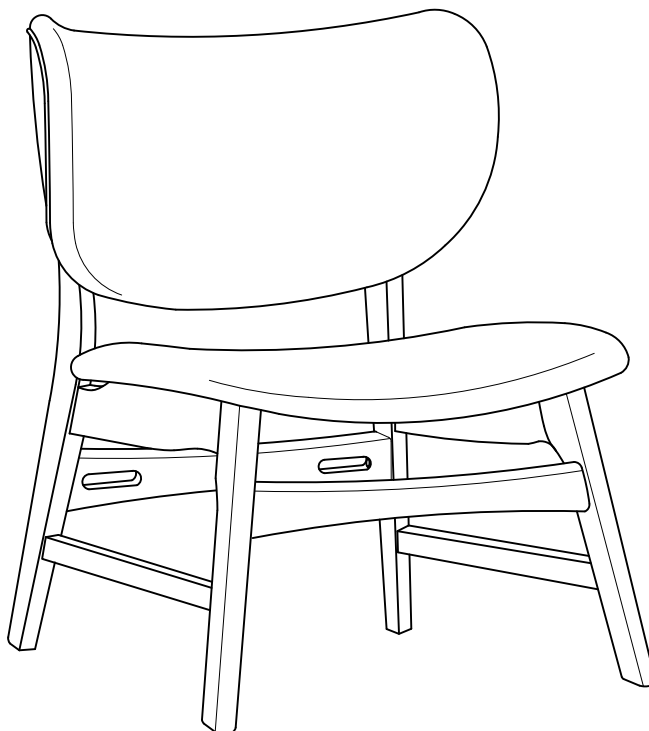


ASSEMBLY INSTRUCTIONS

5



6



ASSEMBLY COMPLETED

Please ensure the furniture rests on an even and flat surface. If the product wobbles or feels loose, double-check all bolts and/or screws are properly tightened and secured.



✓ Keep this handy!

Please retain this instruction manual and any order-related information for future reference.



✓ Lift, don't drag!

To avoid damage to product please always LIFT the product when transporting or adjusting the placement.

This product is intended for RESIDENTIAL USE ONLY and not for commercial use.