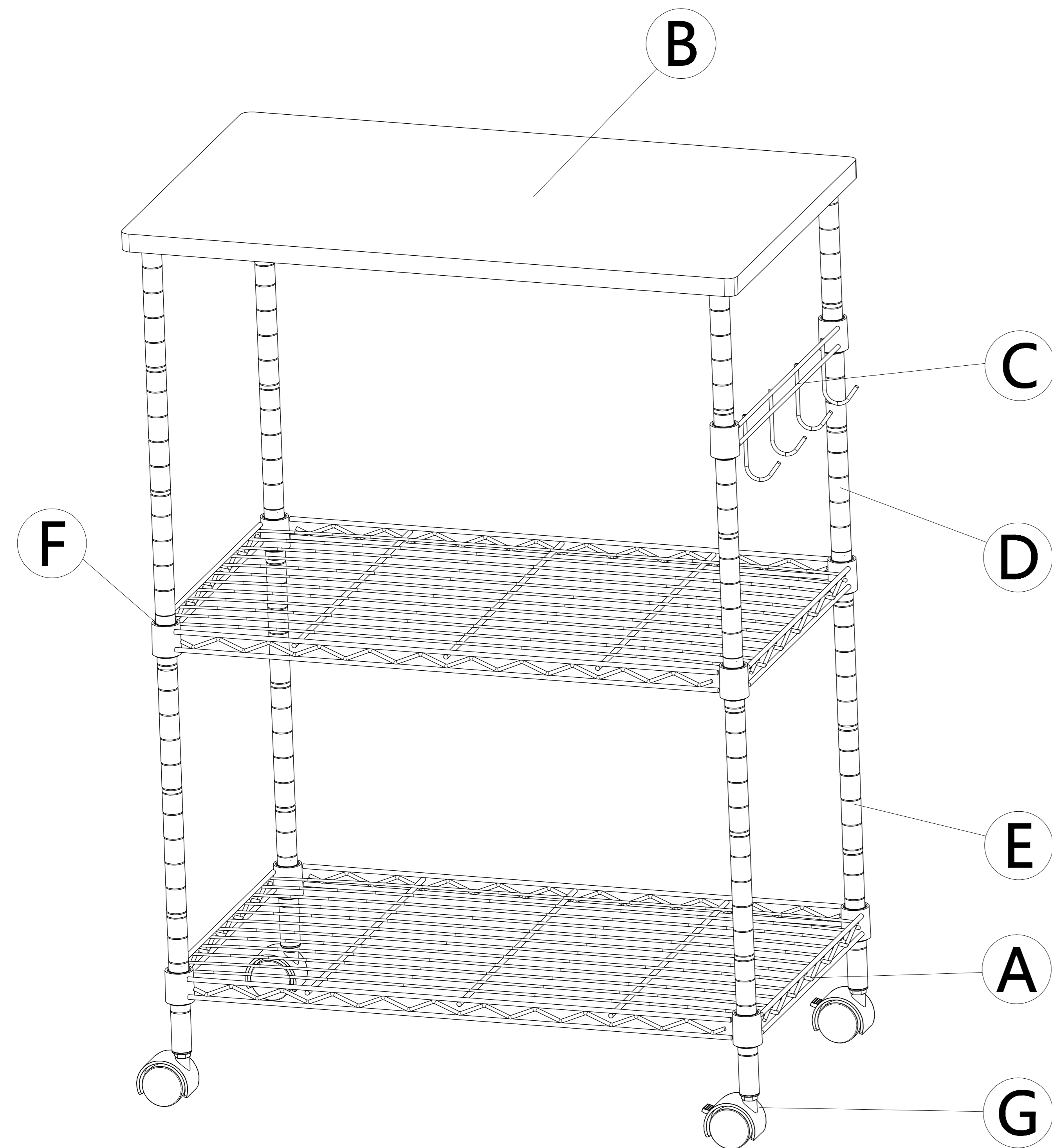
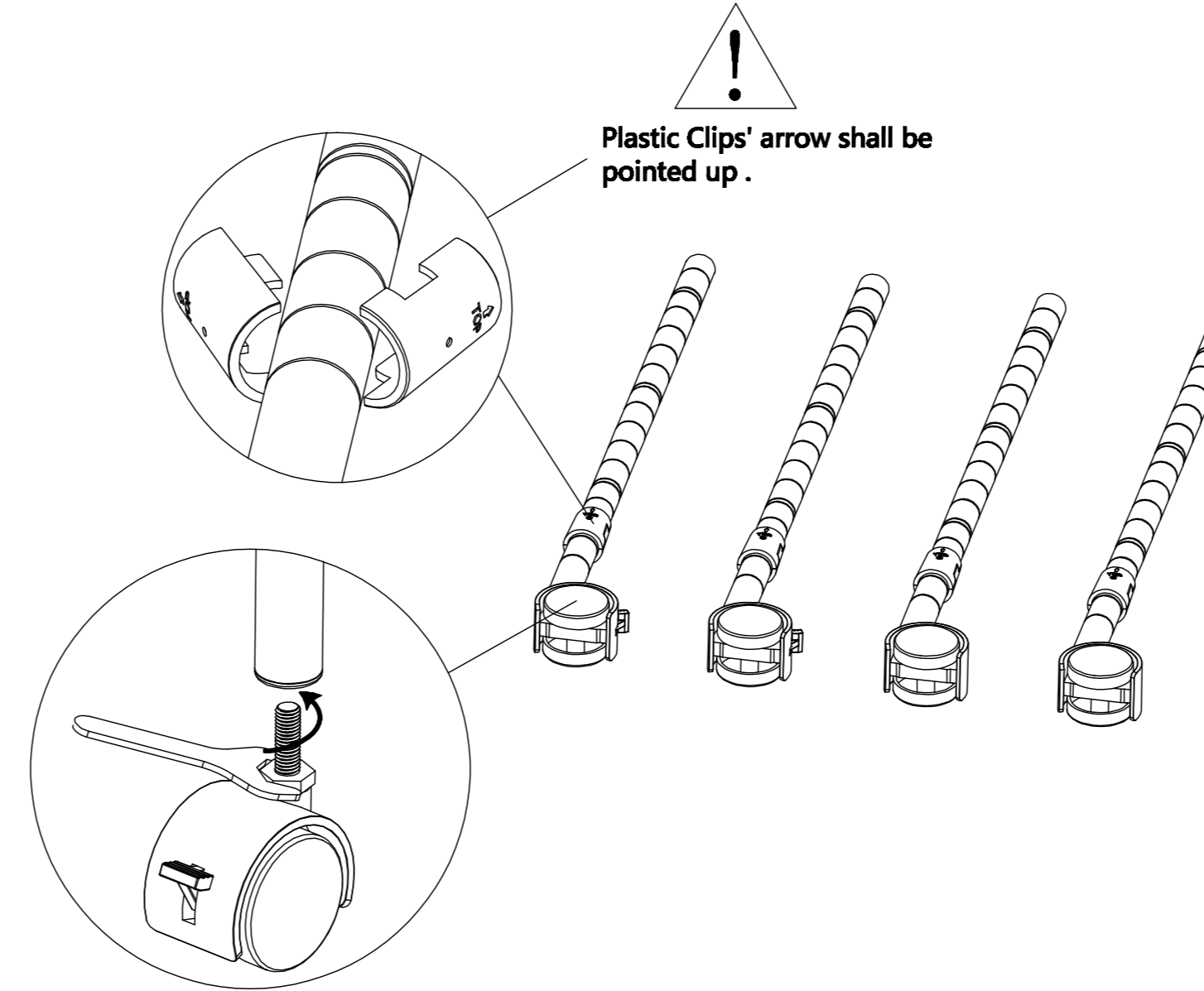


3 TIER KITCHEN CART

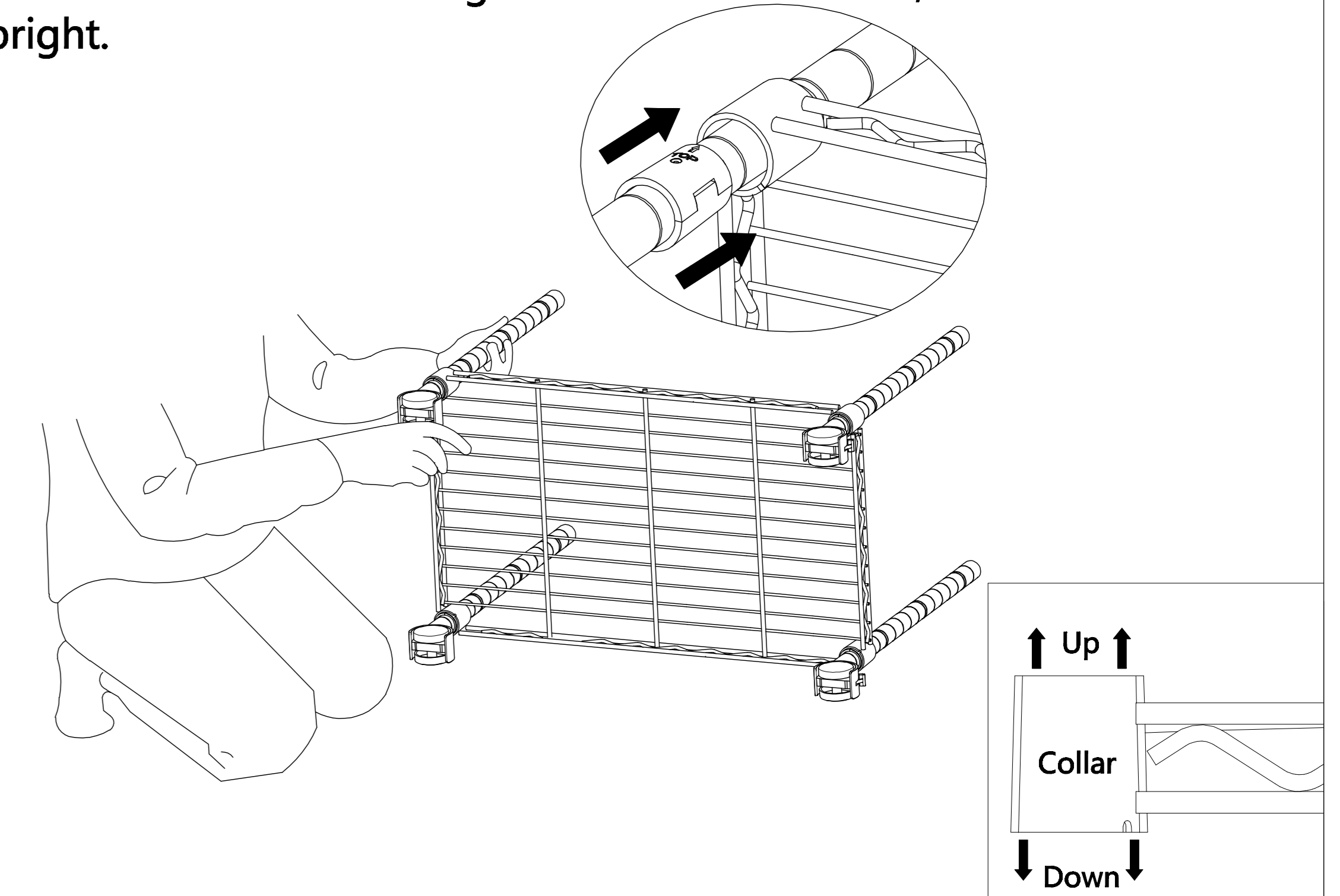
Assembly Steps:



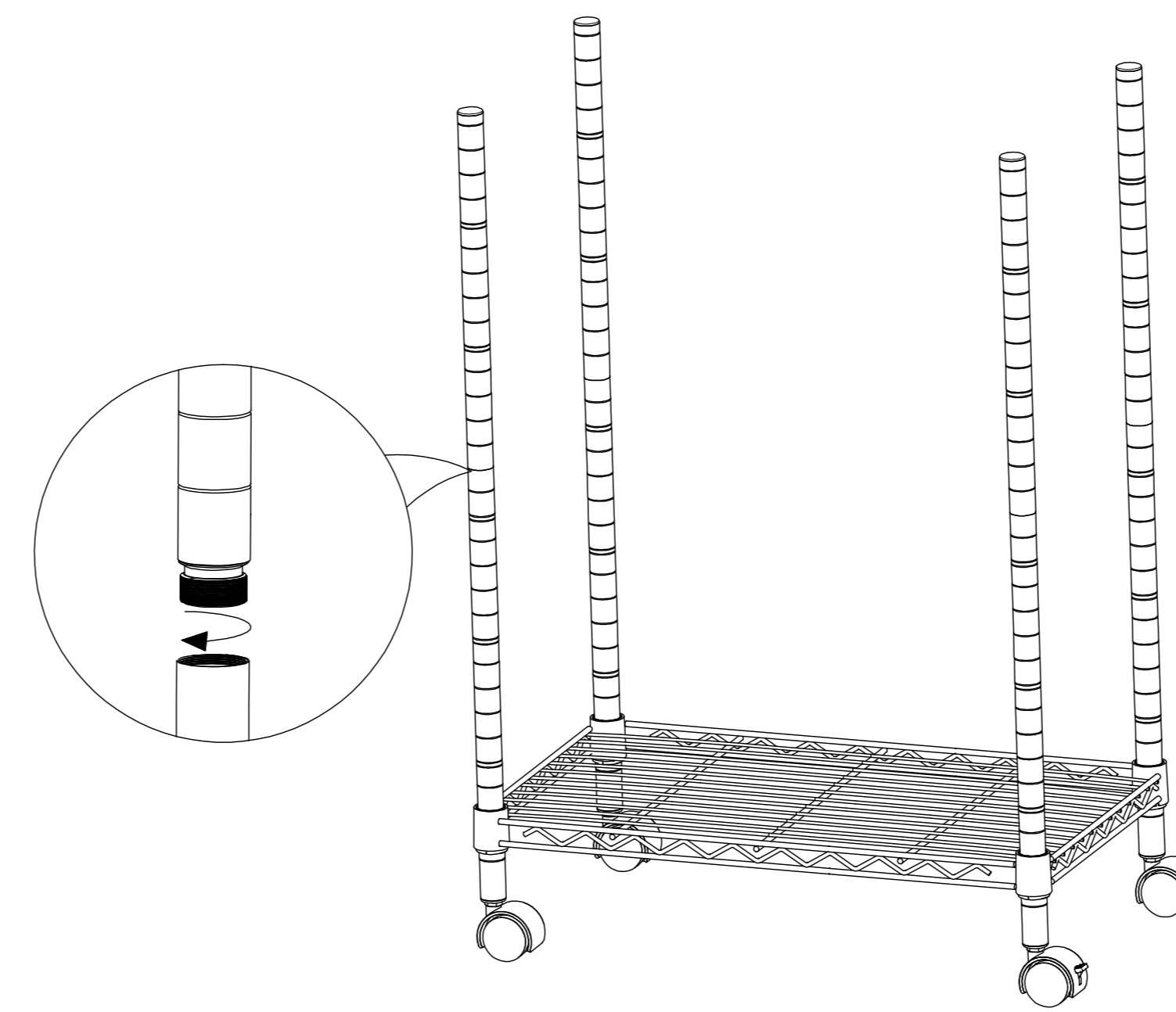
① Screw the Nylon Caster (G) into the bottom of four Lower Poles (E) By Wrench. Then snap the Plastic Clips (F) into the lower poles at the same position. And make sure that all plastic clips' arrow shall be pointed up.



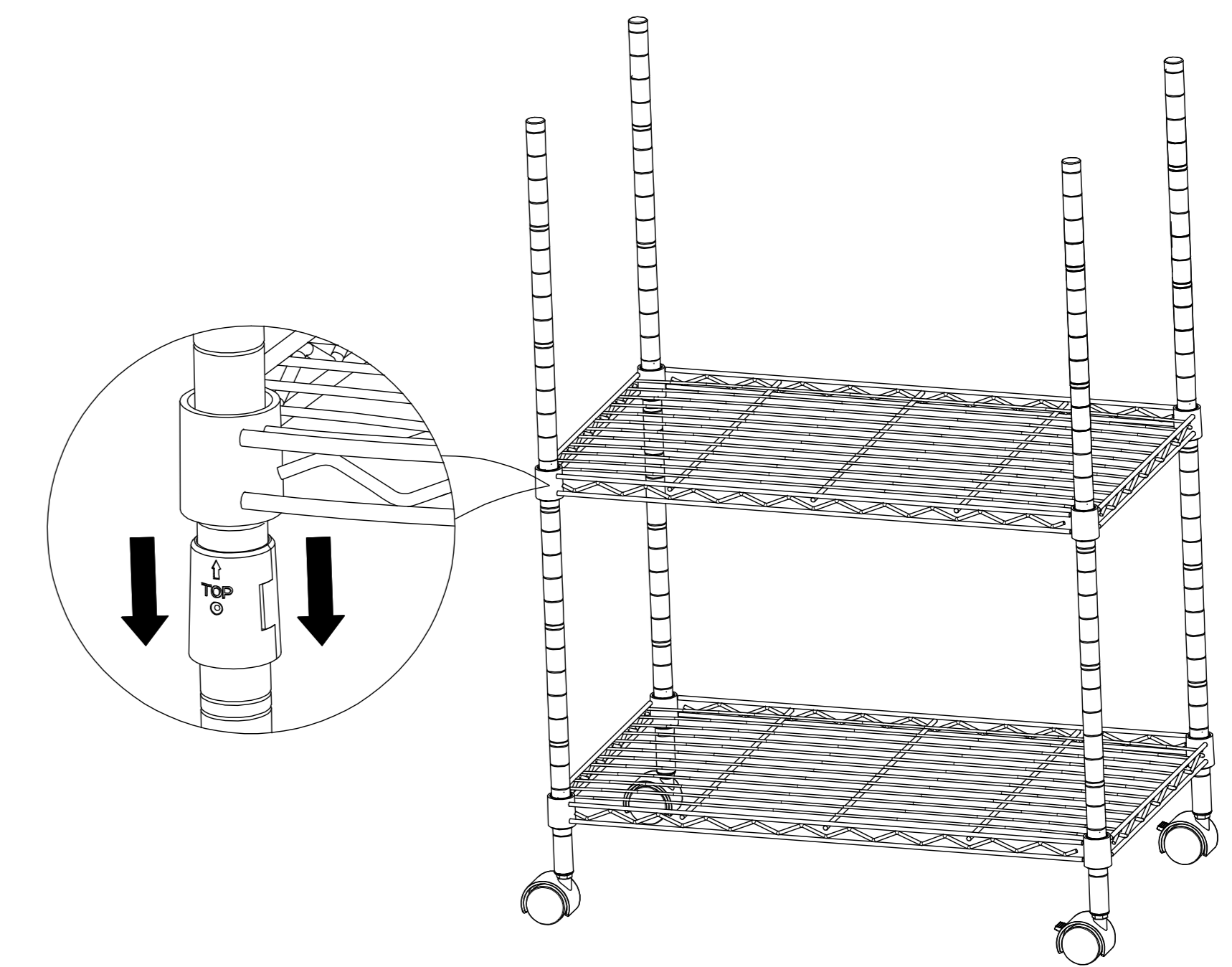
② Please make sure that you have the wire shelf (A) the correct way up. Hold the shelf on its side and slide the top of four lower poles through the bottom of each shelf at its corners until there is snug fit. After four poles have been slid through the shelf collar holes, set the shelf upright.



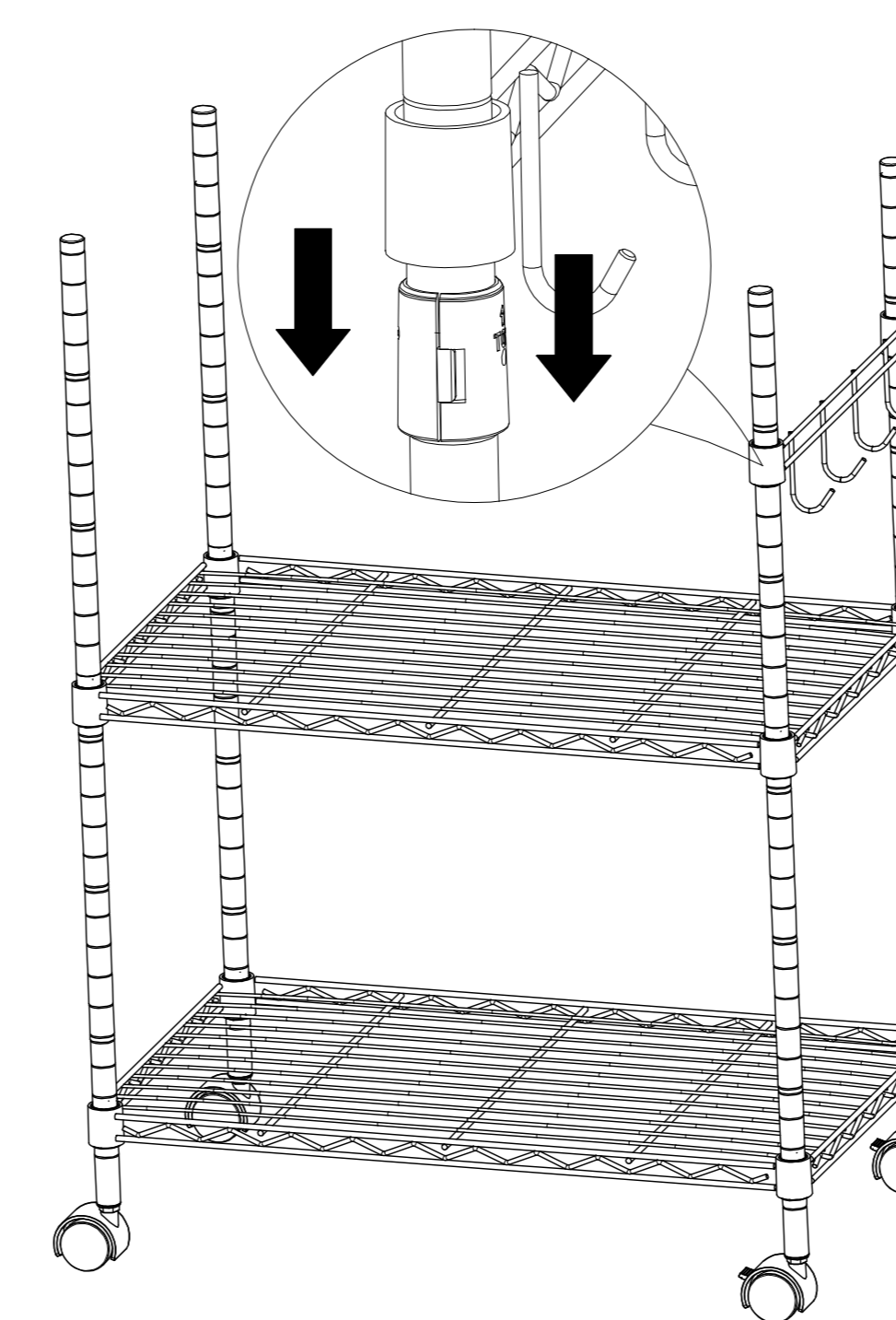
③ Screw Upper Poles (D) into lower poles by screw connectors which is already assembled on the upper poles.



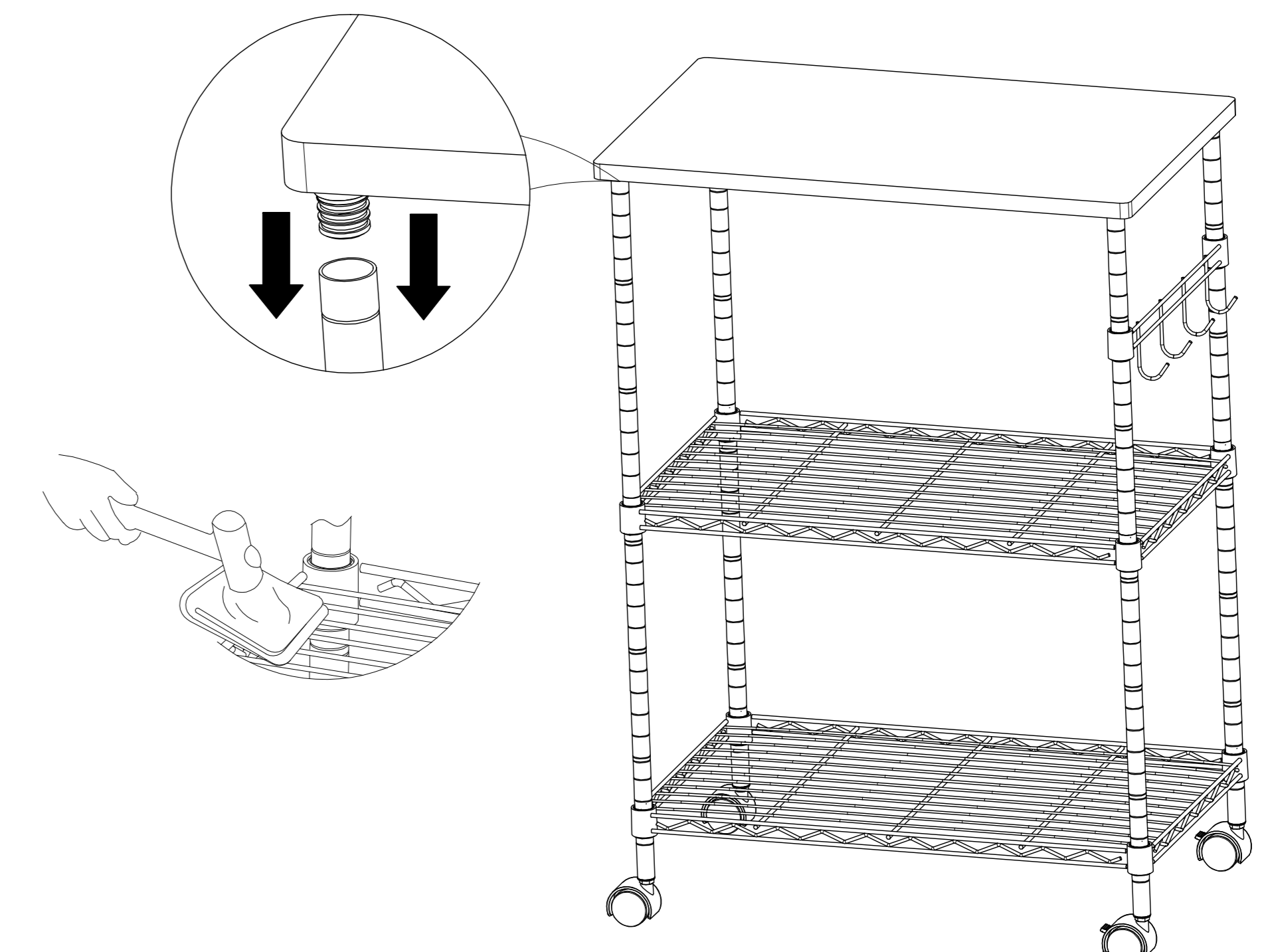
④ Repeat the step 2 to assemble the middle layer of shelf.



⑤ After snapping the plastic at your desired position of poles, Then through the Support Rail With Hooks (C) into the poles same as the photo.



⑥ Repeat step 2 and 4 to assemble the top layer MDF Wooden Board (B). Once all is finished. Pushing firmly down on every shelf at corners by rubber mallet to ensure the shelf in a place over the plastic clips.



No.	A	B	C	D	E	F	G
Name	Wire Shelf	MDF Wooden Board	Support Rail with Hooks	Upper Pole	Lower Pole	Plastic Clip	Nylon Caster
Parts							
Quantity	2PCS	1PC	1PC	4PCS	4PCS	20PCS	4PCS