

COMMIX Exposed Roller

Shower Door
5/16" glass (8mm)

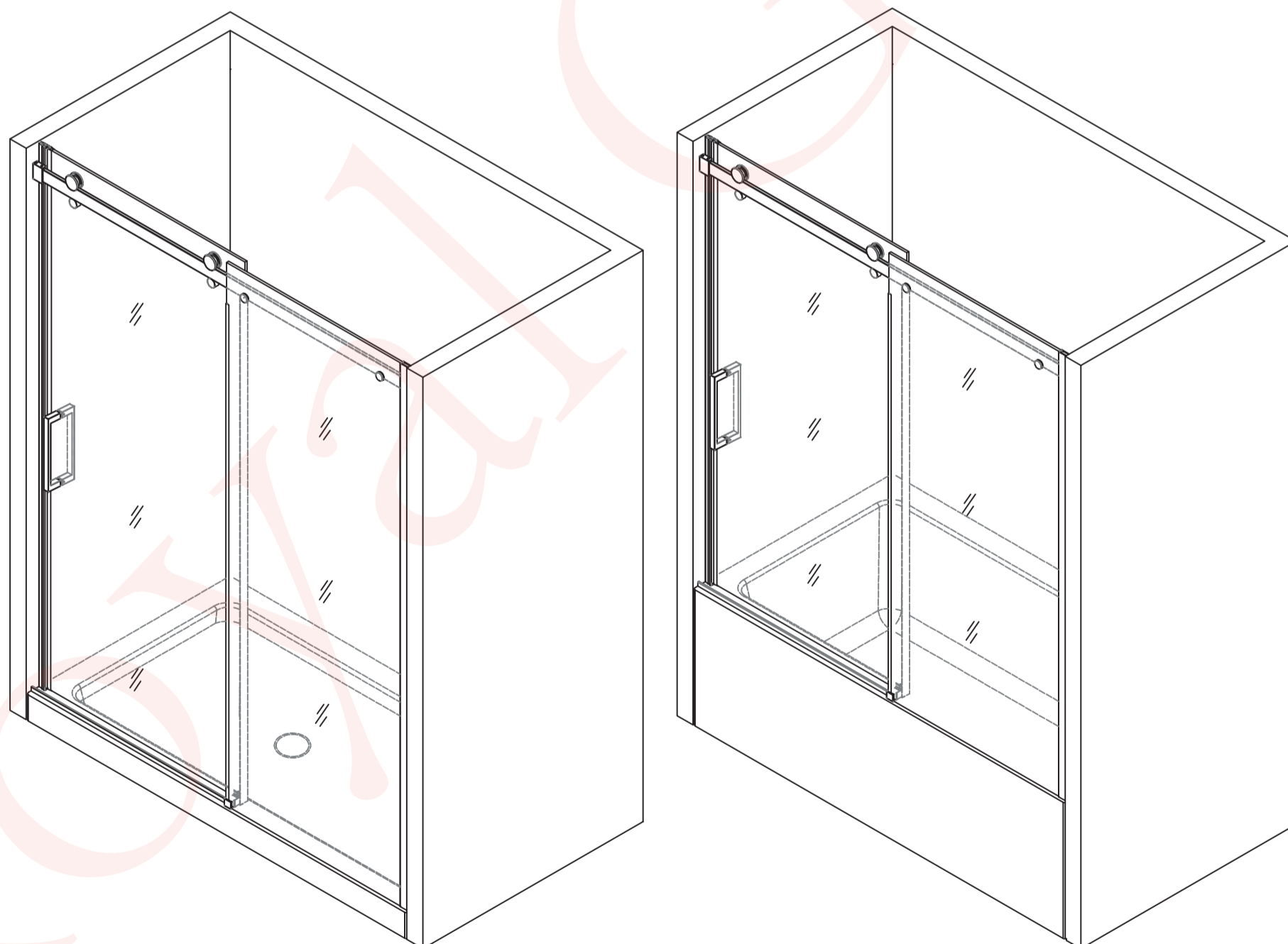
INSTALLATION GUIDE

CAUTION: To reduce the risk of breakage, keep corner protectors on glass while installing. Keep corner protectors for use in case future adjustments are needed. Consult your local plumbing codes prior to installation.

Recommended Clearance Heights for Installation:
74 inches (188 cm)

Recommended Width for Installation:
60-inch enclosure:
56 - 60 3/8 inches (142.2- 153.4 cm)

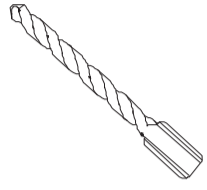
MODEL:
02266074MB08N
02266074CH08N
02266058MB08N
02266058CH08N



60-inch Enclosure

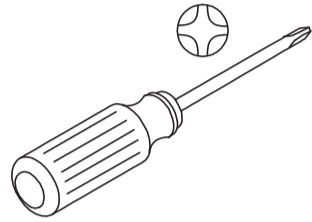
TOOLS REQUIRED

Drill Bits

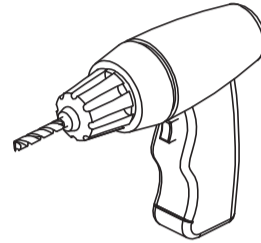


Ø1/4" (6mm) & Ø1/8" (3mm) dia.
HSS

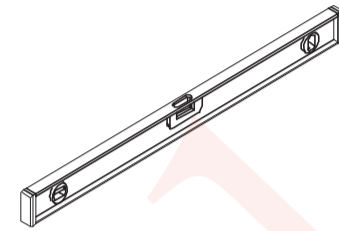
Screw Driver



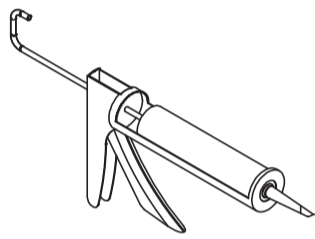
Drill



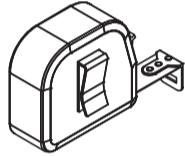
Level



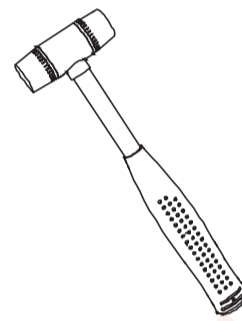
Silicone



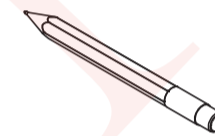
Measuring Tape



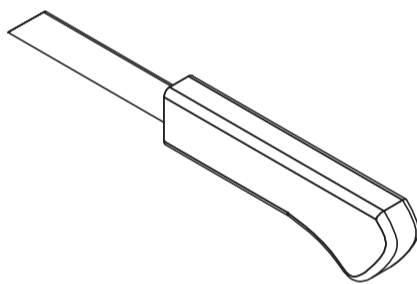
Soft Head Hammer



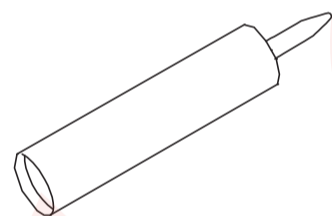
Pencil



Knife



Sealant



MASONRY DRILL BIT FOR TILE Ø6mm



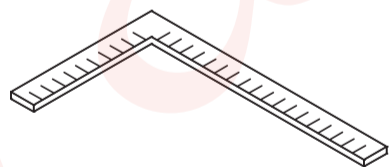
Safety Glasses



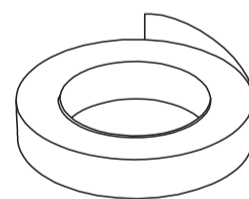
Glove



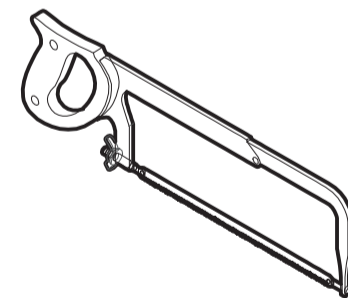
Carpenter's Squarer



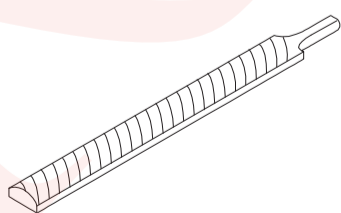
Masking or painter's tape



Hack Saw



Metal File



CAUTION: When cutting or drilling metal components or when handling glass, to reduce the risk of personal injury, protective eye wear, gloves, and closed-toe shoes are required.

SAFETY INFORMATION

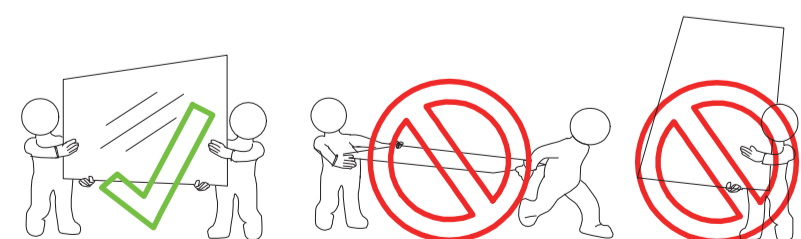
CAUTION

Please carefully read the following important safety information before handling or installing this shower. There is a risk of serious injury while handling this product.

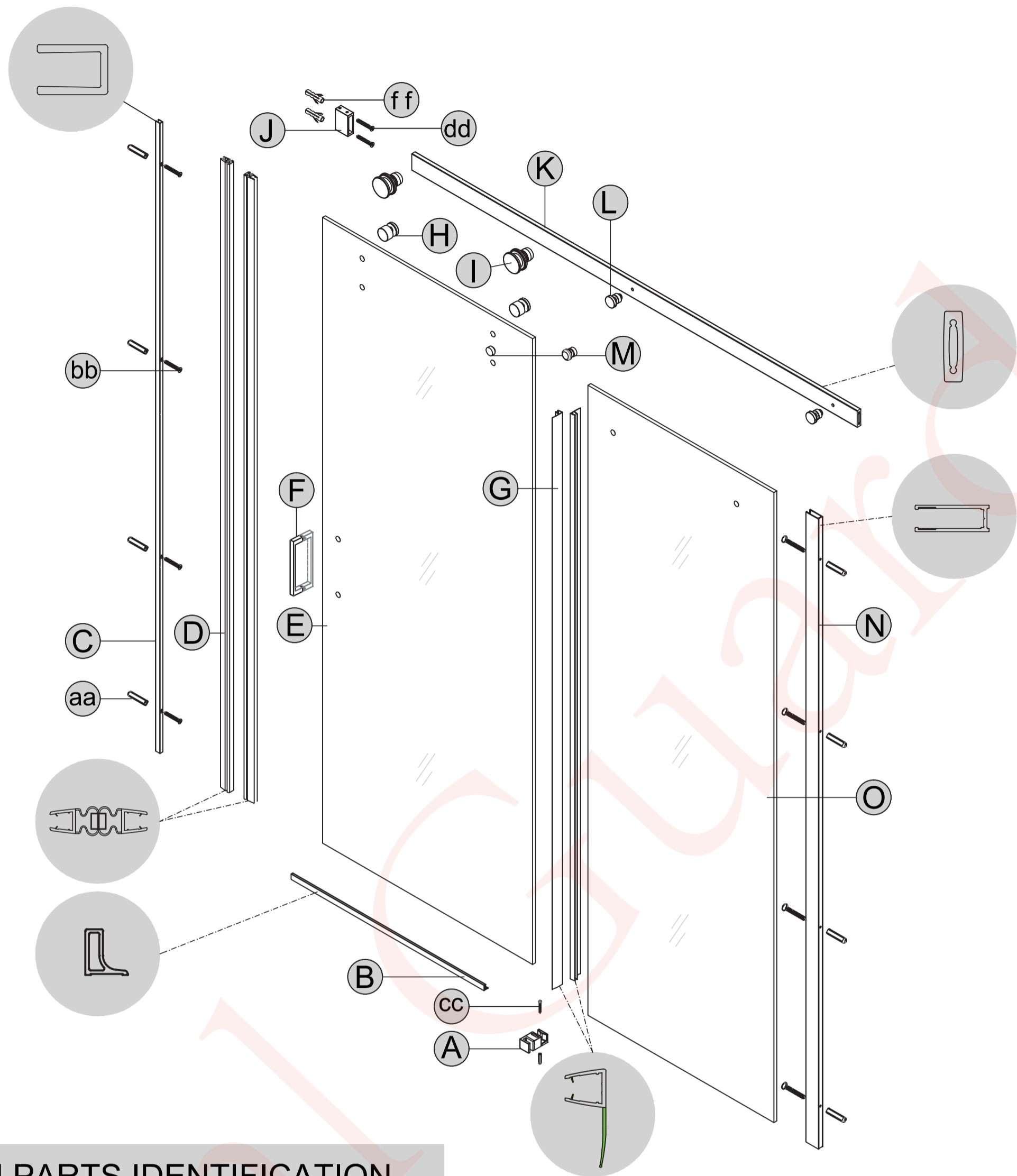
To minimize these risks, please note:

- Always wear safety glasses and gloves while handling.
- Always follow the installation instructions.
- Inspect glass for damage before installation.
- Extreme caution should be taken while handling the glass during installation as the tempered glass may shatter if in contact with a hard surface.
- Do not cut or modify the tempered glass as it will shatter if cut.
- Carefully remove product from packaging and keep packaging until installation is complete.
- Inspect all parts for damage or missing; if there is damage or part missing to the unit prior to installation, please contact customer service at the number provided in this guide.
- Cover the drain with tape to prevent the loss of small parts.
- The shower base and finished walls should be installed before beginning the shower door installation.
- During the installation, protect the shower floor with a drop cloth to avoid damage.
- This product should be installed by two people who are familiar with construction requirements. Professional installation is recommended!
- Keep this installation manual for future reference.

NOTE: Two people should perform this installation.



DOOR ASSEMBLY



CARTON PARTS IDENTIFICATION

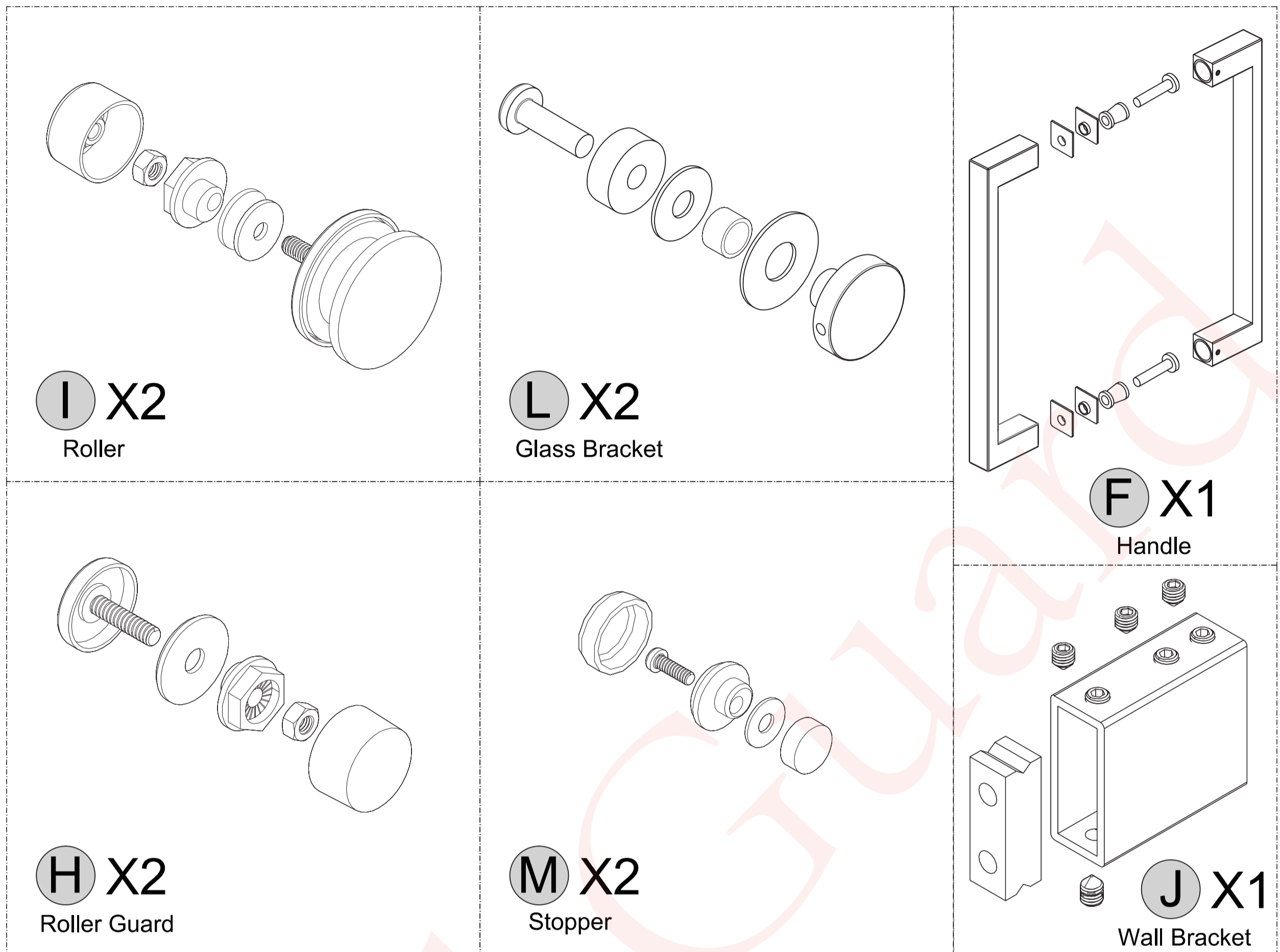
See following pages for detailed component diagrams

PART#	DESCRIPTION	QTY
A	Guide Block	1
B	Alu. Threshold	1
C	U Channel	1
D	Magnetic Strip	2
E	Glass Door	1
F	Handle	1
G	Anti-Water Strip	2
H	Roller Guard	2

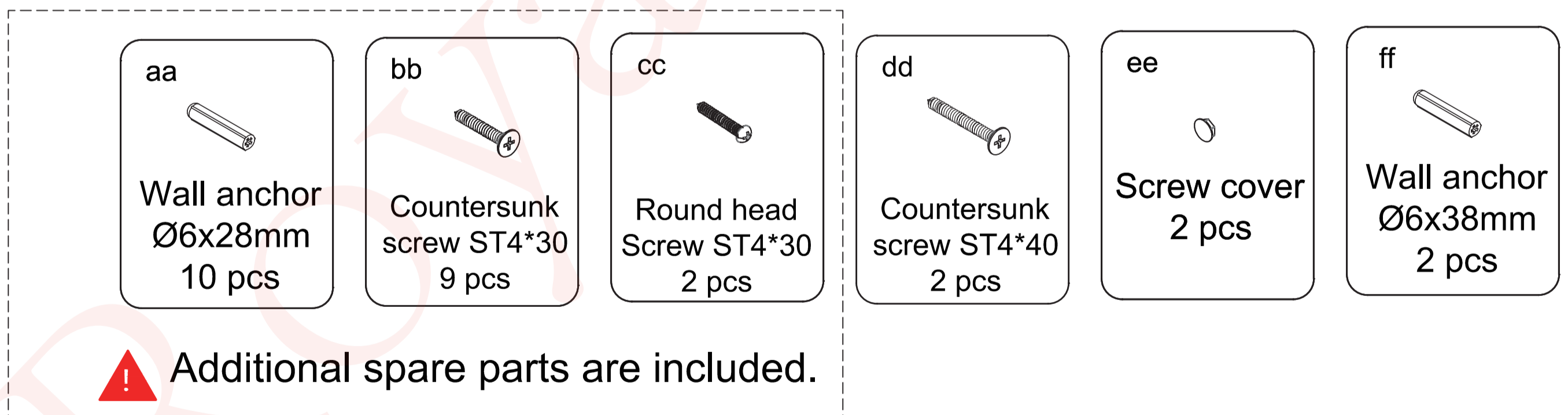
PART#	DESCRIPTION	QTY
I	Roller	2
J	Wall Bracket	1
K	Upper Guide Rail	1
L	Glass Bracket	2
M	Stopper	1
N	Wall Jamb	1
O	Stationary Glass	1

CARTON PARTS IDENTIFICATION

See following pages for detailed component diagrams



HARDWARE CONTENT



**NOTE: Inspect all parts for missing prior to installation!
Contact us for any part missing.**



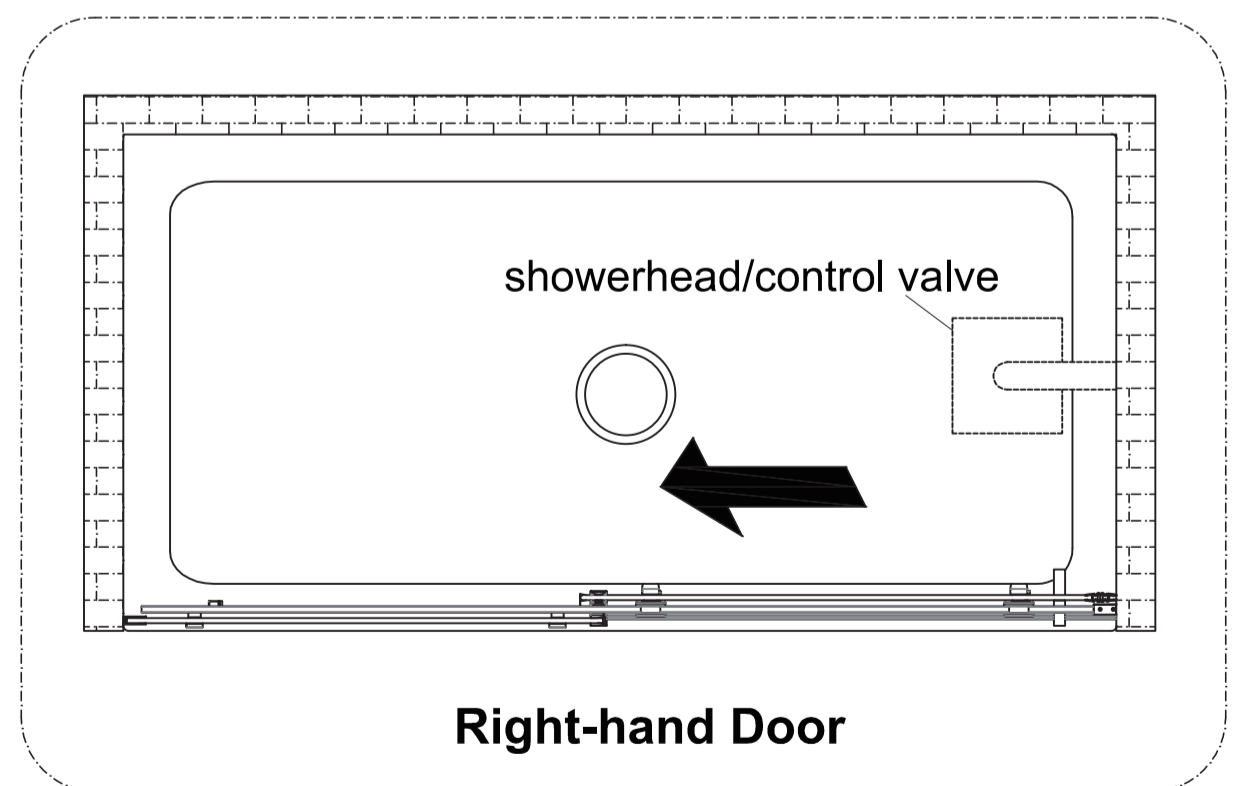
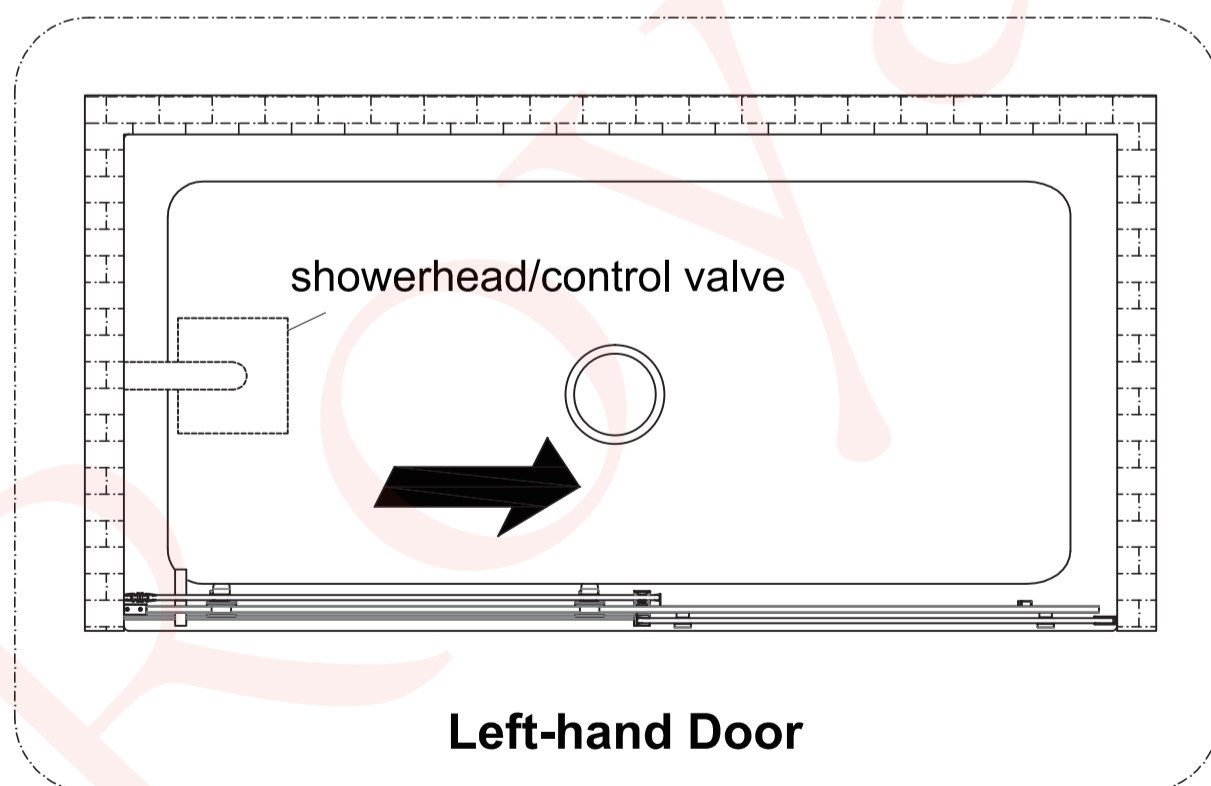
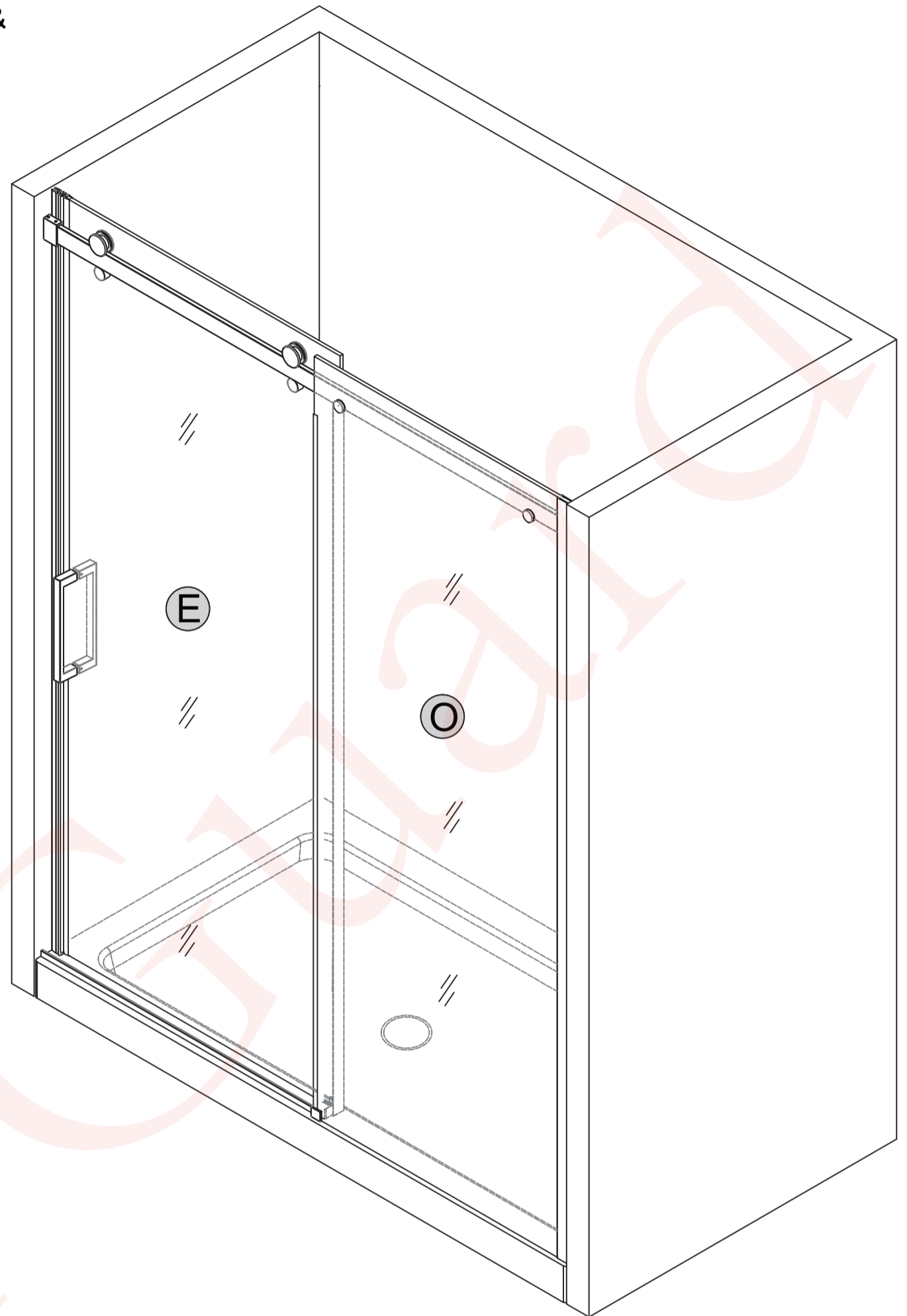
CAUTION: To avoid personal injury or property damage, identify components and read all instructions before installing.

NOTE: Door height is 58"(147.3cm)&74" (188 cm).
Recommended Clearance Height for installation 60"(152.4cm)&
is 76" (193 cm.)

This Commix Exposed Roller Shower Door can be installed to open from either side of your enclosure depending on showerhead/control valve location.

The Glass Door should be installed on the same side as showerhead/control valve for optimal water retention.

NOTE: For the purposes of these instructions, the installation will be shown with the Glass Door (E) to the left of the enclosure.



1 Measure the finished opening width.

IMPORTANT: Incorrect measurement may prevent proper door closure. Double-check measurement.

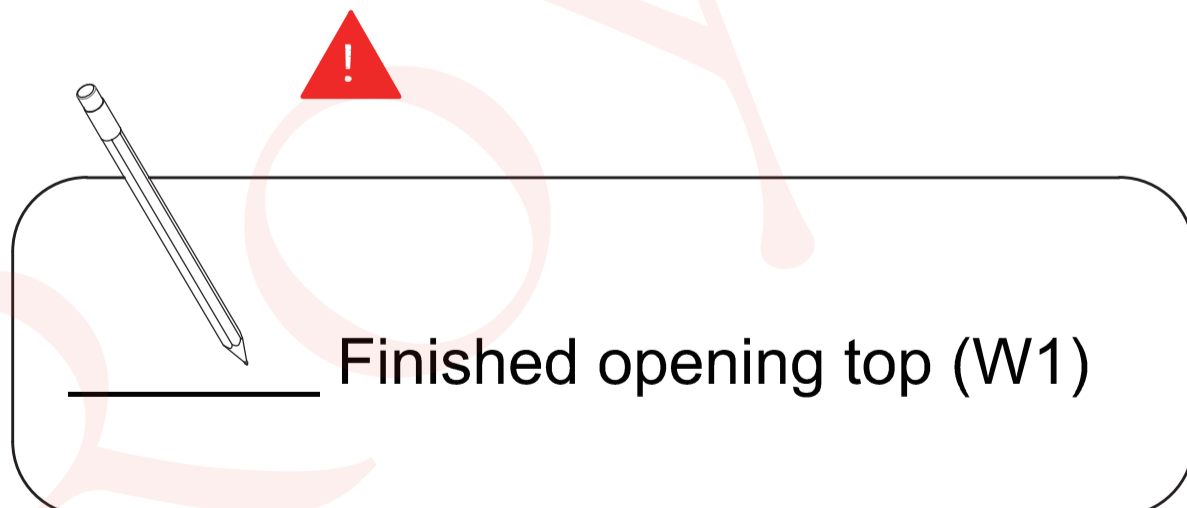
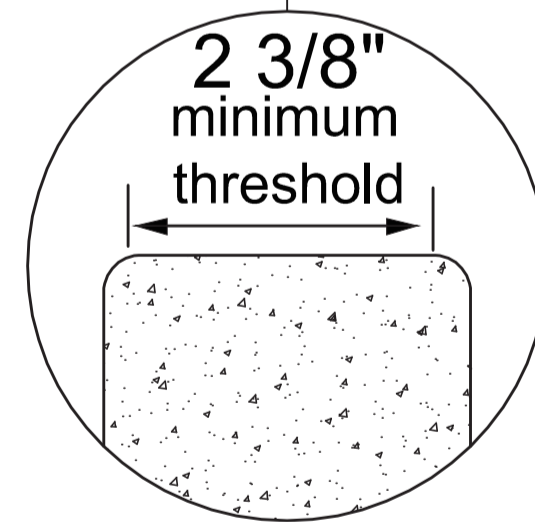
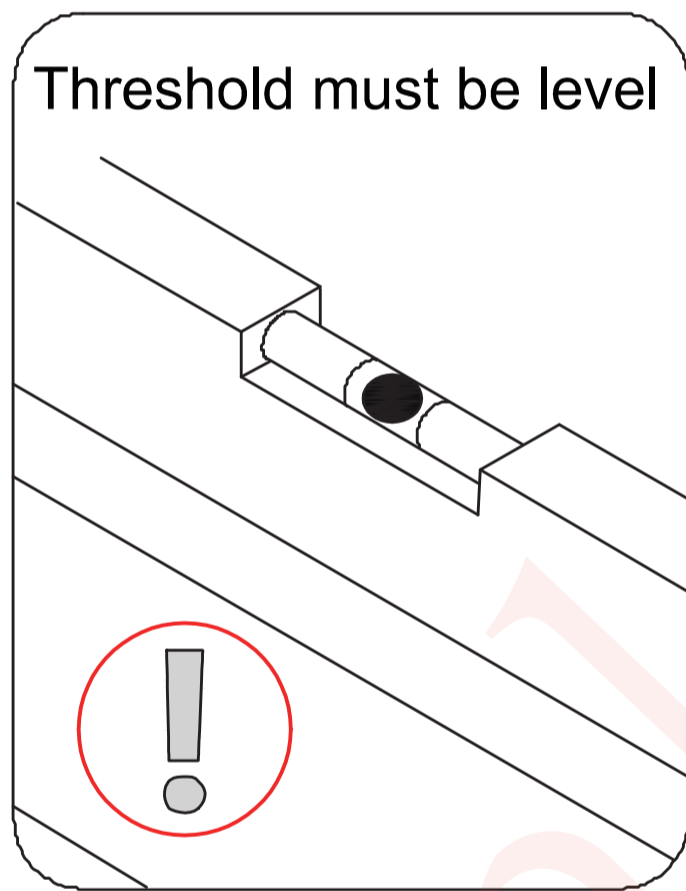
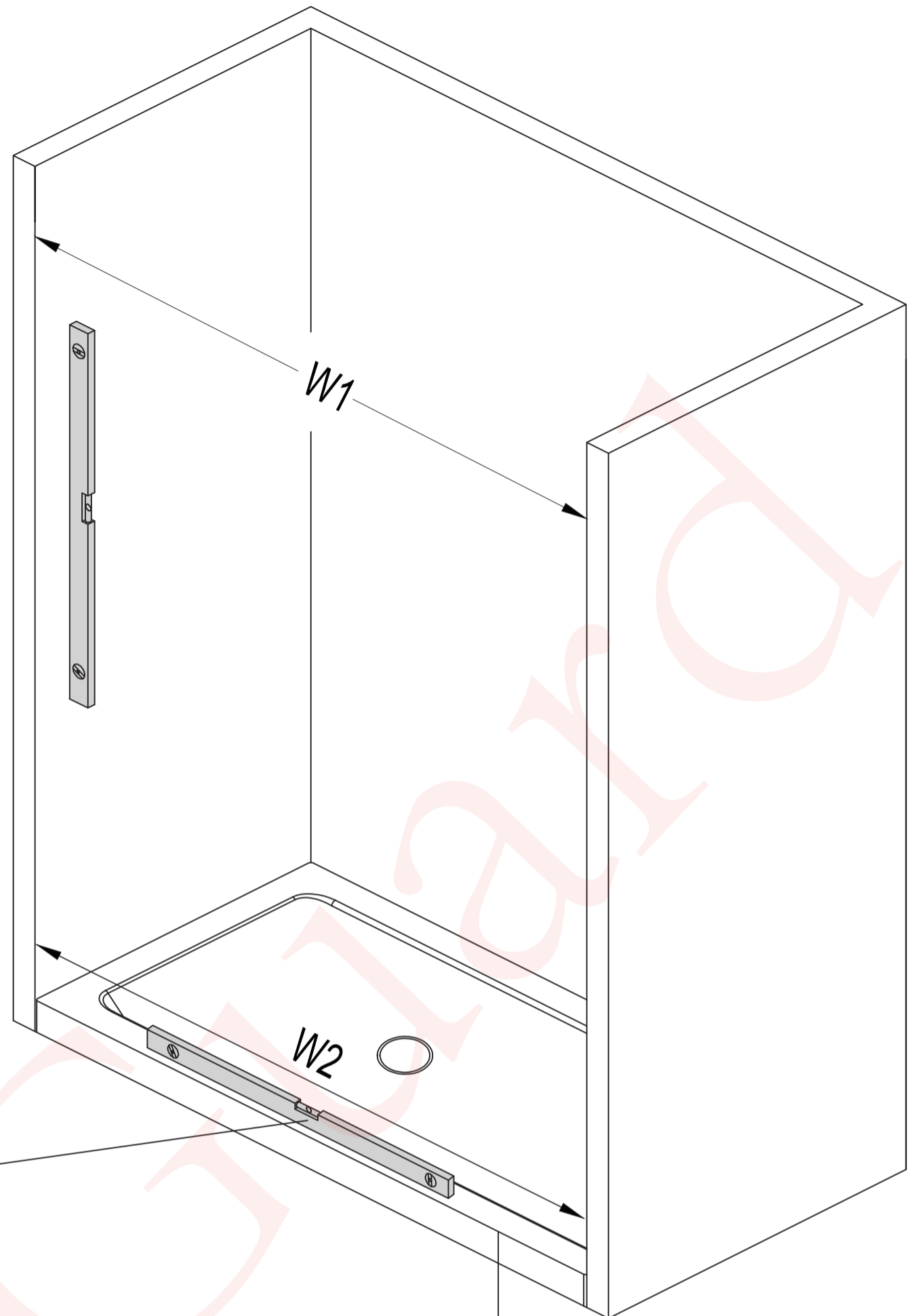
Before beginning installation, verify the door assembly will fit within the horizontal opening of the shower enclosure.

For the 60 3/8" door, the opening must be between 56" - 60 3/8".

Measure distance "W1" of upper shower enclosure opening and distance "W2" of lower shower enclosure opening.

Both measurements should be within the dimensions listed above for required opening widths.

W1 = Upper Enclosure Width
W2 = Lower Enclosure Width



- 2 Cut the **Upper Guide Rail (K)** to fit your finished opening using either a miter saw or a hacksaw

⚠ Using a pencil or another marking tool, mark distance on the **Upper Guide Rail (K)** from the edge of the **Upper Guide Rail (K)** as shown in Fig.a.

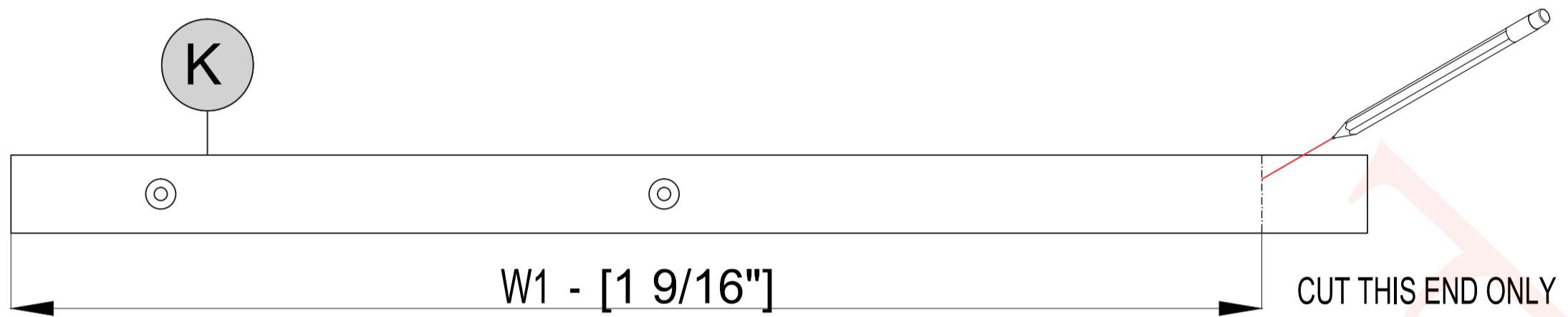
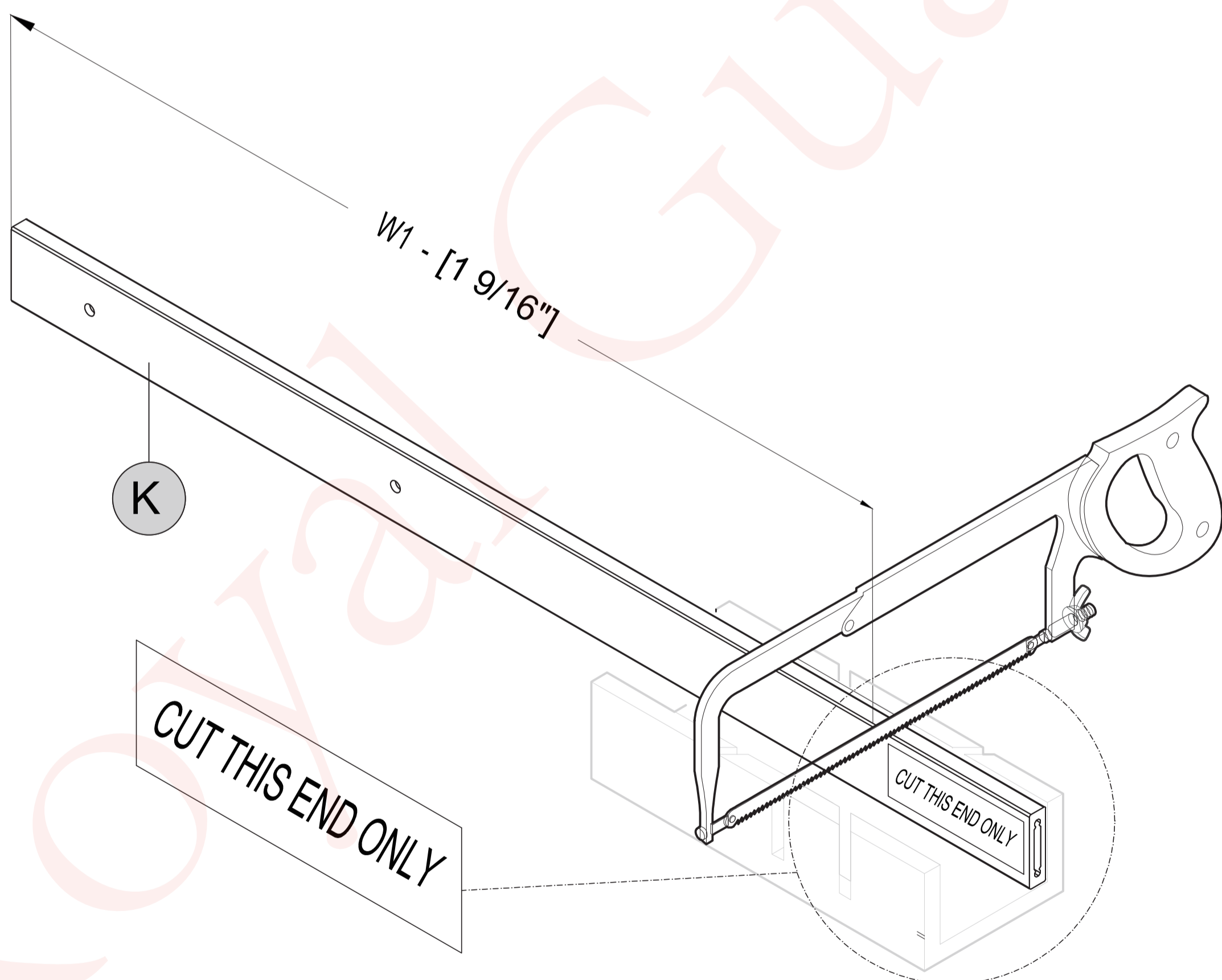


Fig.a

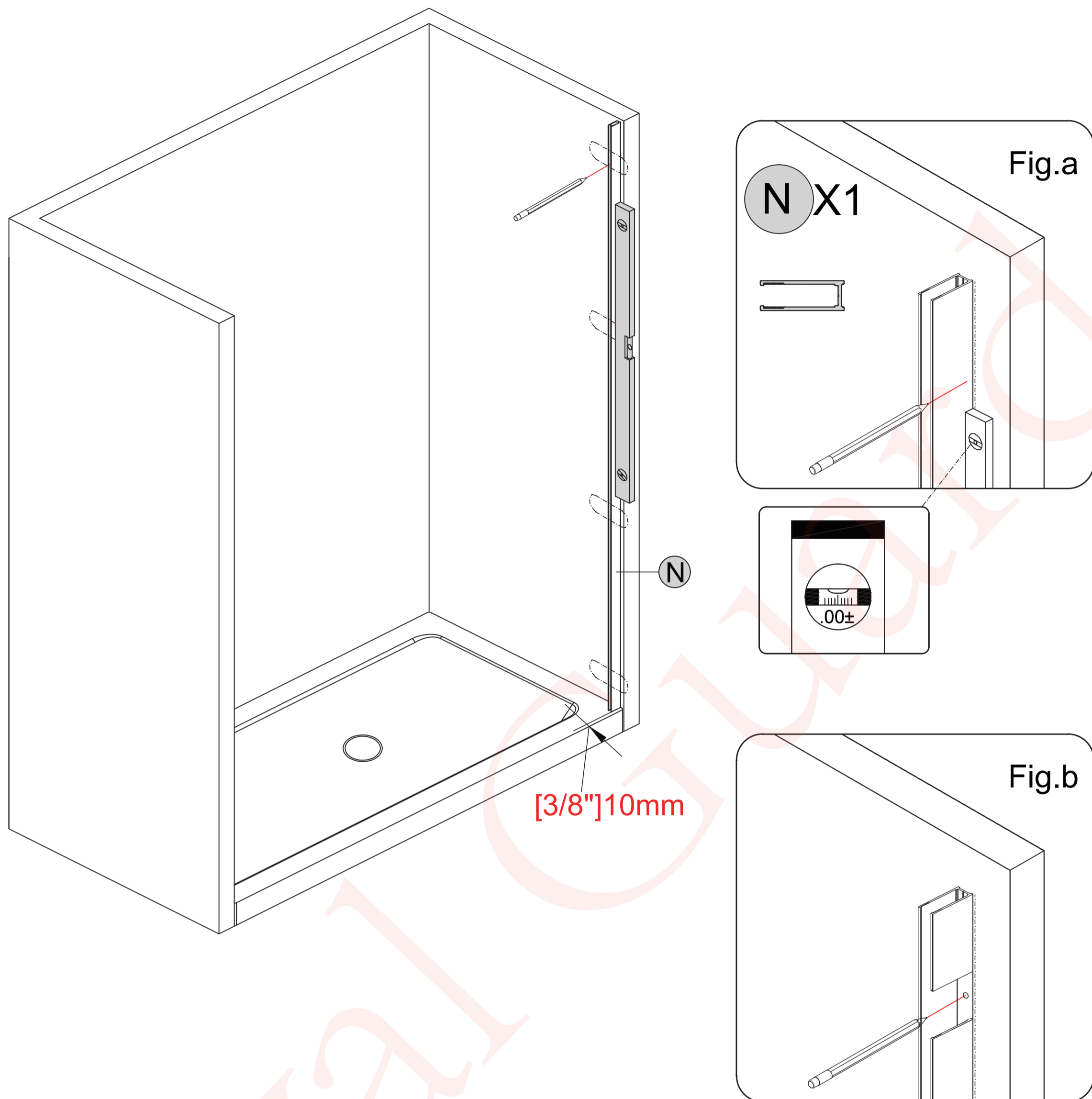
⚠ Cut the **Upper Guide Rail (K)** from the labeled end only!

Cut the **Upper Guide Rail (K)** to: "W1" (top) dimension - 1 9/16"



⚠ Wear safety glasses and cut-resistant, non-slip gloves when drilling or cutting to avoid risk of injury.

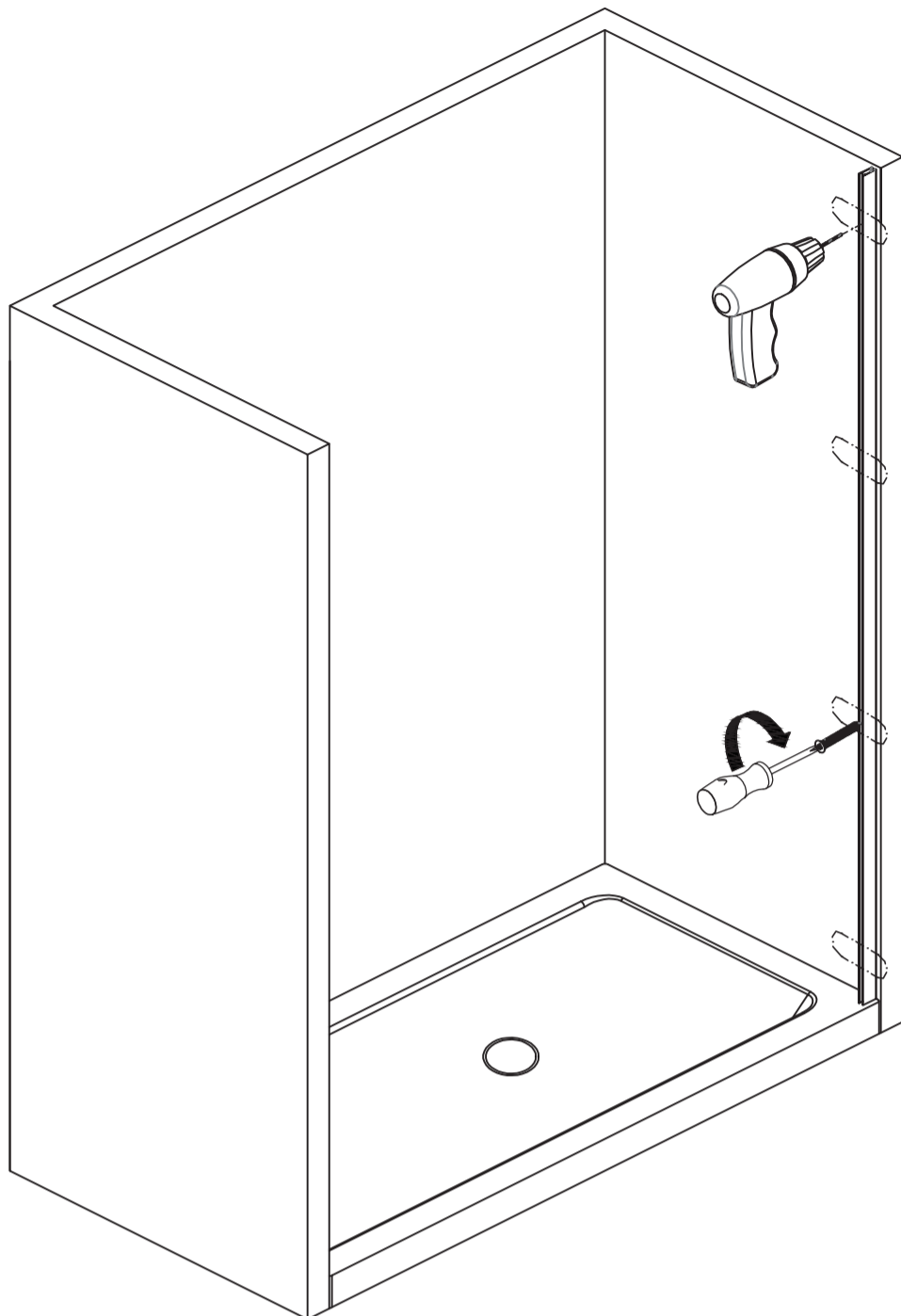
3-1 Wall Jamb (N) Installation



1. Measure in 3/8" from the outside of the bathtub and make a mark and also check **Wall Jamb(N)** for plumb as Fig.a;

2. Position the outside edge of the **Wall Jamb(N)** on the mark(3/8") of the bathtub. Mark the location of the holes as Fig.b;

3-2 Wall Jamb (N) Installation



CAUTION: When cutting or drilling metal components or when handling glass, to reduce the risk of personal injury, protective eye wear, gloves, and closed-toe shoes are required.

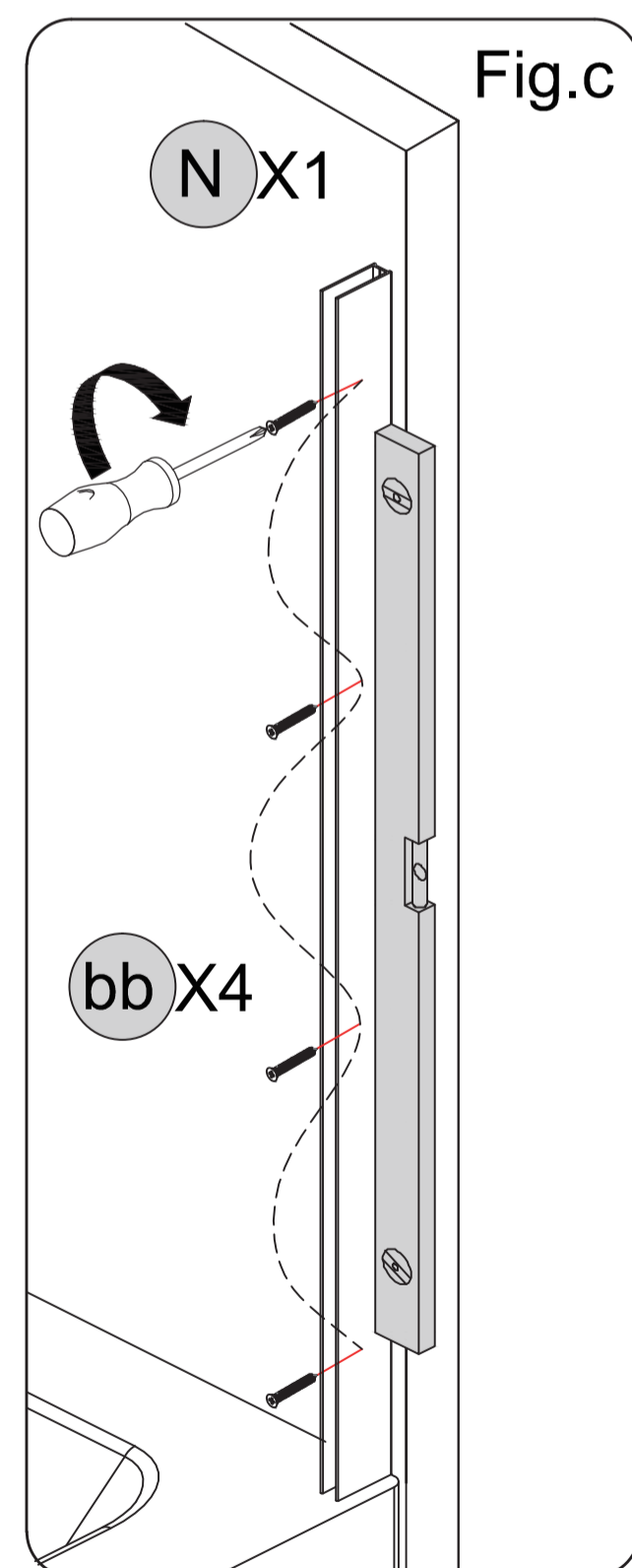
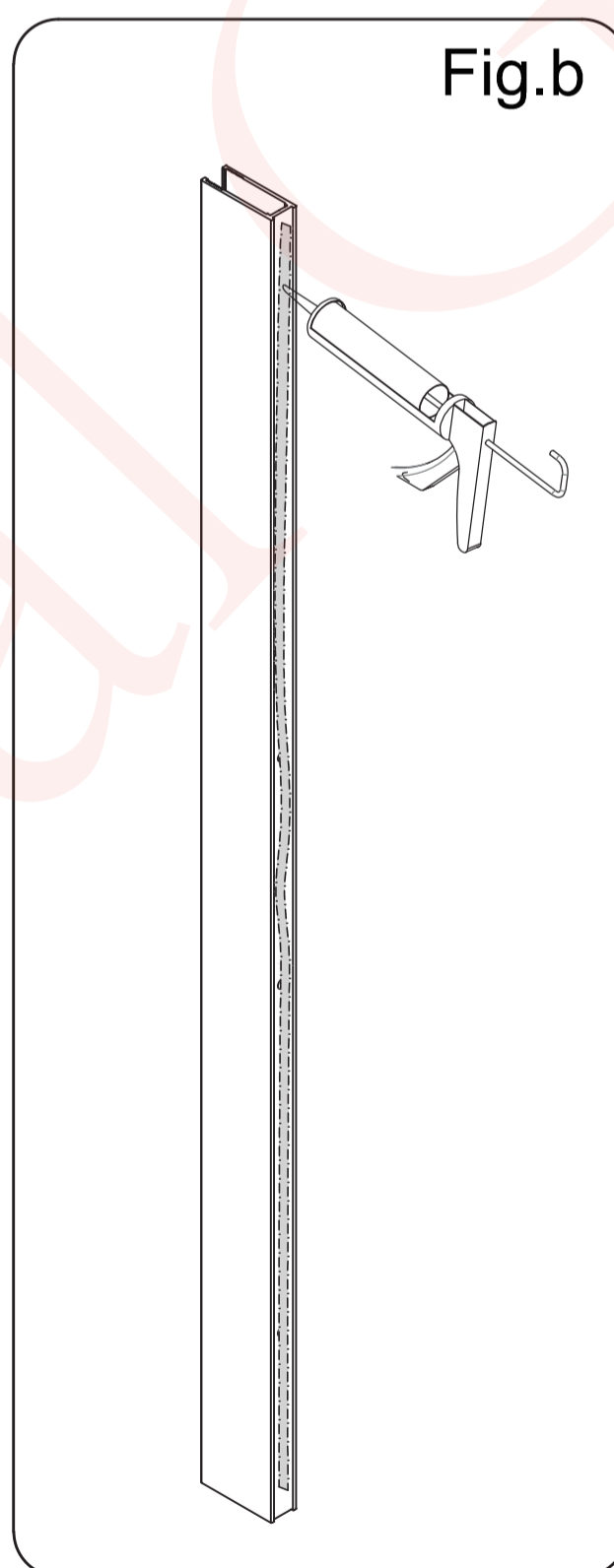
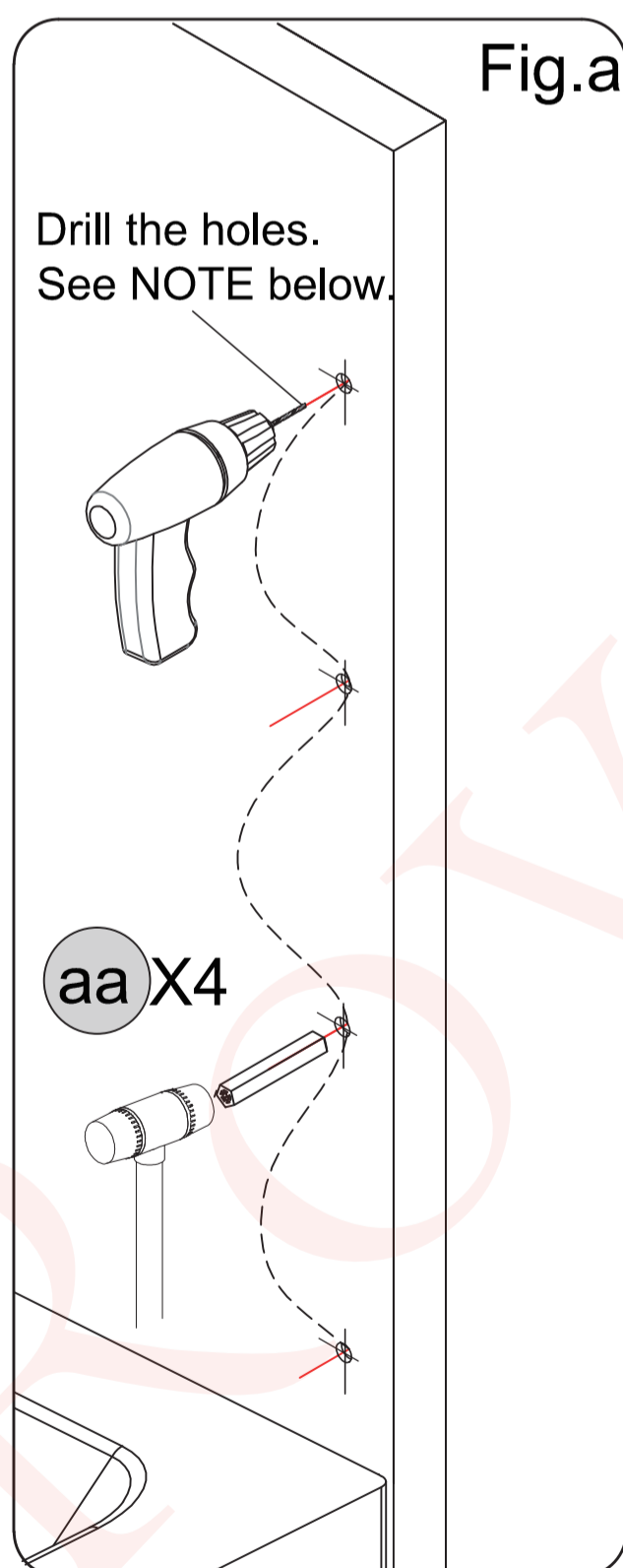


- If a stud is presented behind the wall: drill a $\text{Ø}1/8''$ (3mm) pilot hole into the stud and use the ST4.0 x 30mm **Screws (bb)**
- OR
- If no stud is presented behind the wall: drill a $\text{Ø}1/4''$ (6mm) hole and insert the **Wall Anchors (aa)** and use the ST4.0 x 30mm **Screws (bb)**.

1. Remove **Wall Jamb (N)** and Drill the holes as Fig.a;

2. Apply silicone into the groove along the entire length of the **Wall Jamb(N)** as Fig b;

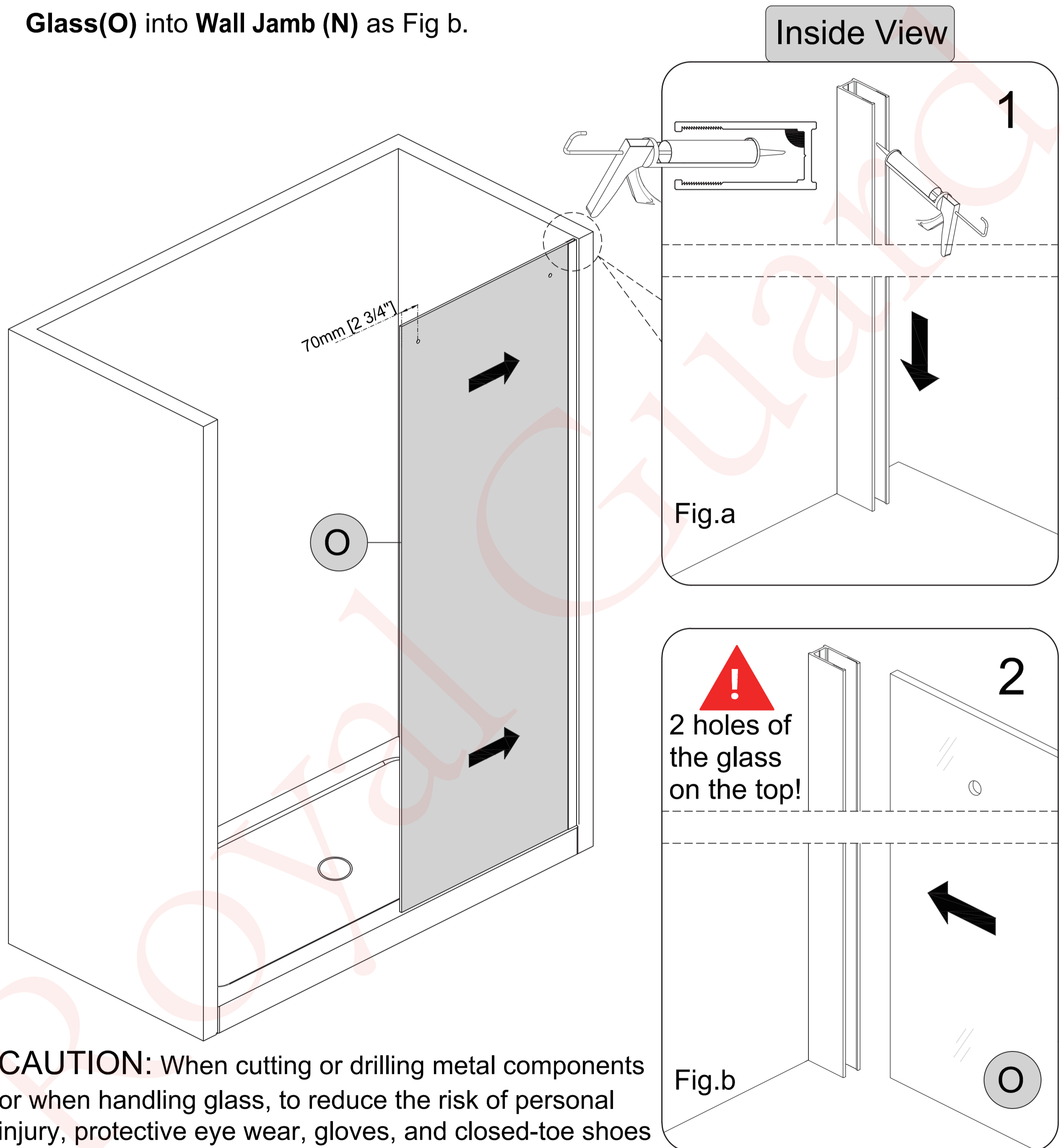
3. Attach the **Wall Jamb(N)** to the wall as Fig c.



4 Stationary Glass(O) Installation

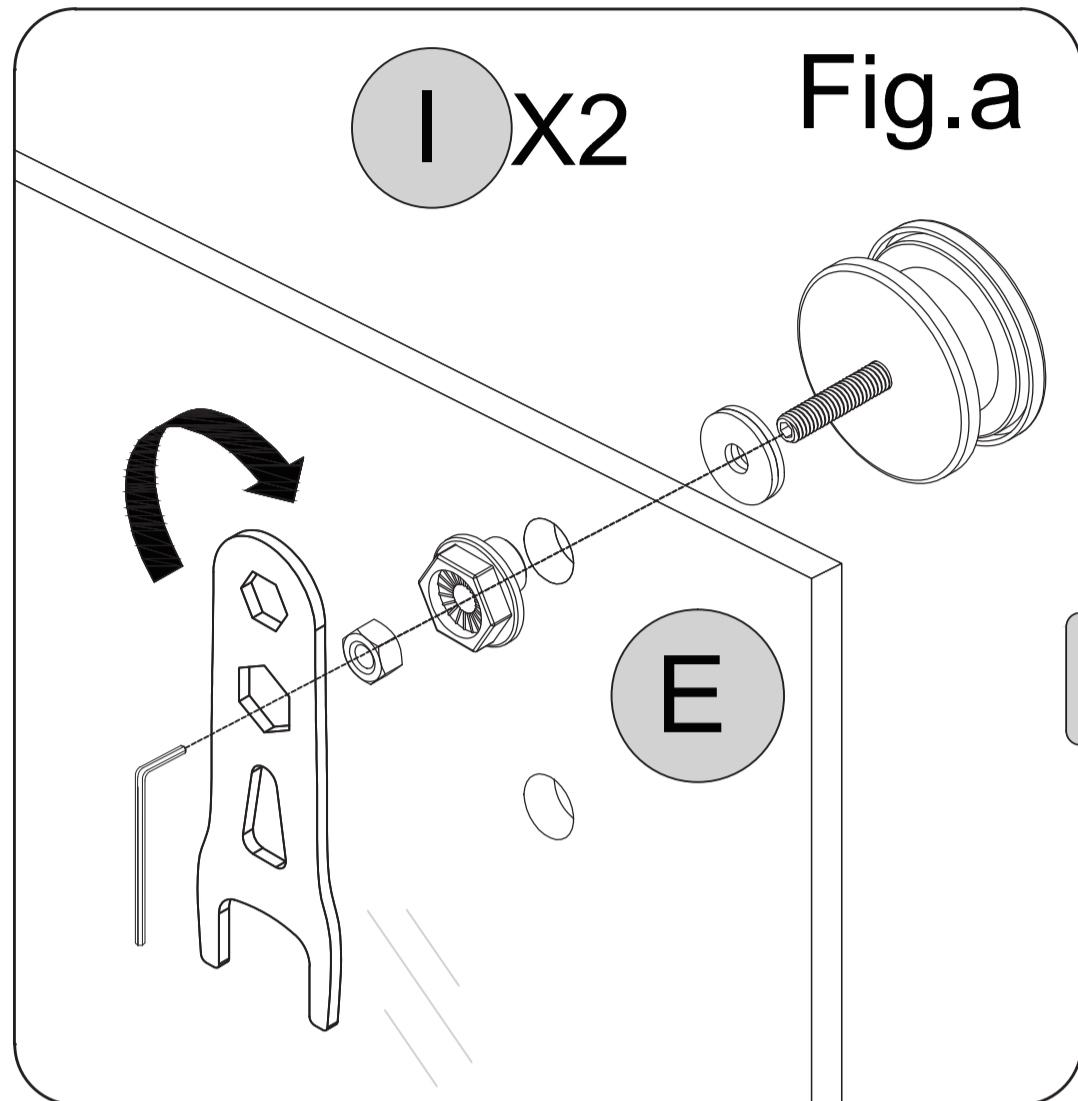
Carefully lay your glass panels flat on a soft, padded surface to inspect the glass.

1. Apply silicone into the groove along the entire full length of inside of back inner corner of the **Wall Jamb (N)** as Fig a;
2. Carefully, and with assistance from another capable person, Insert the **Stationary Glass(O)** into **Wall Jamb (N)** as Fig b.



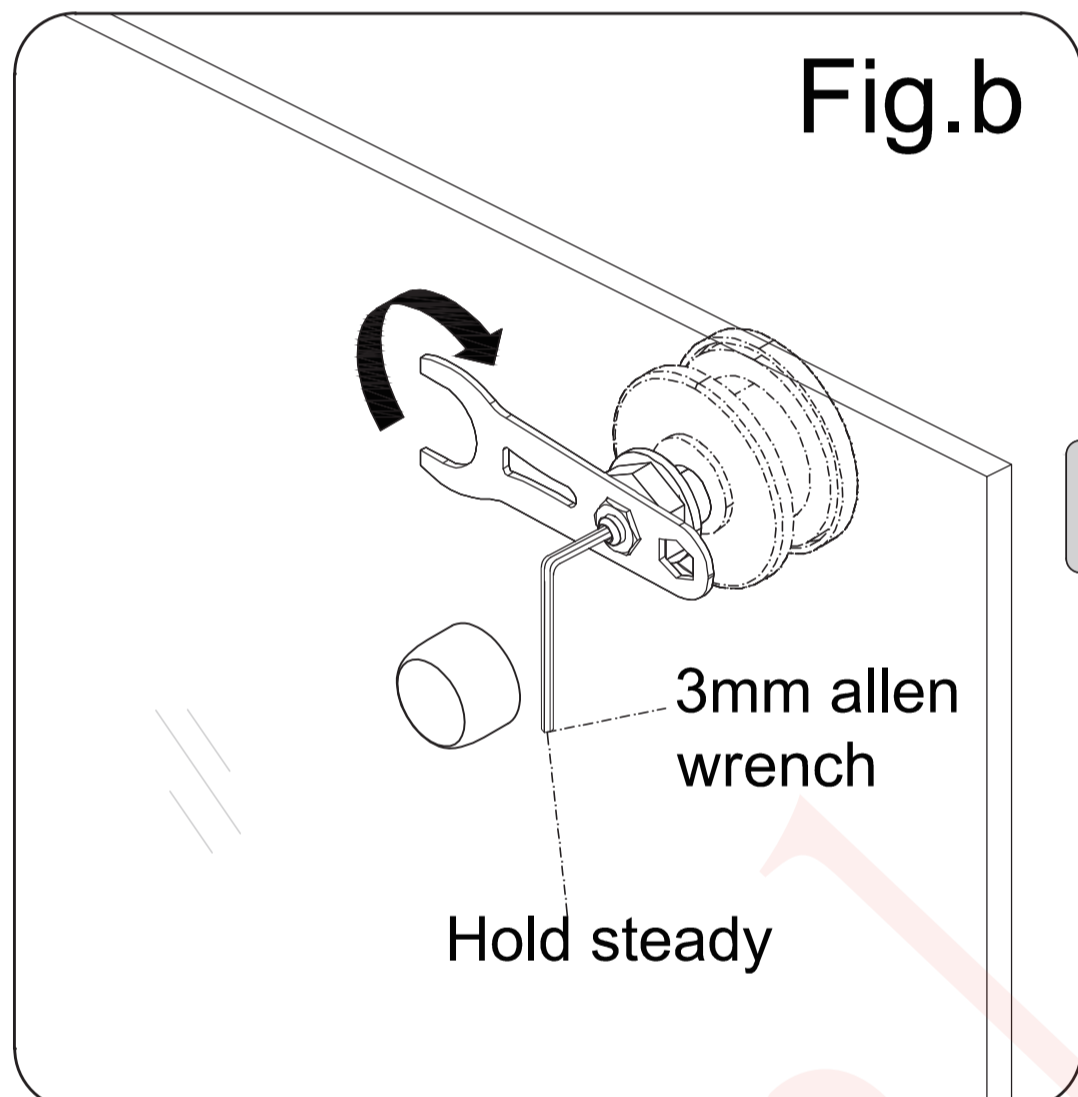
CAUTION: When cutting or drilling metal components or when handling glass, to reduce the risk of personal injury, protective eye wear, gloves, and closed-toe shoes are required.

5 Roller(I)& Stopper(M) Installation

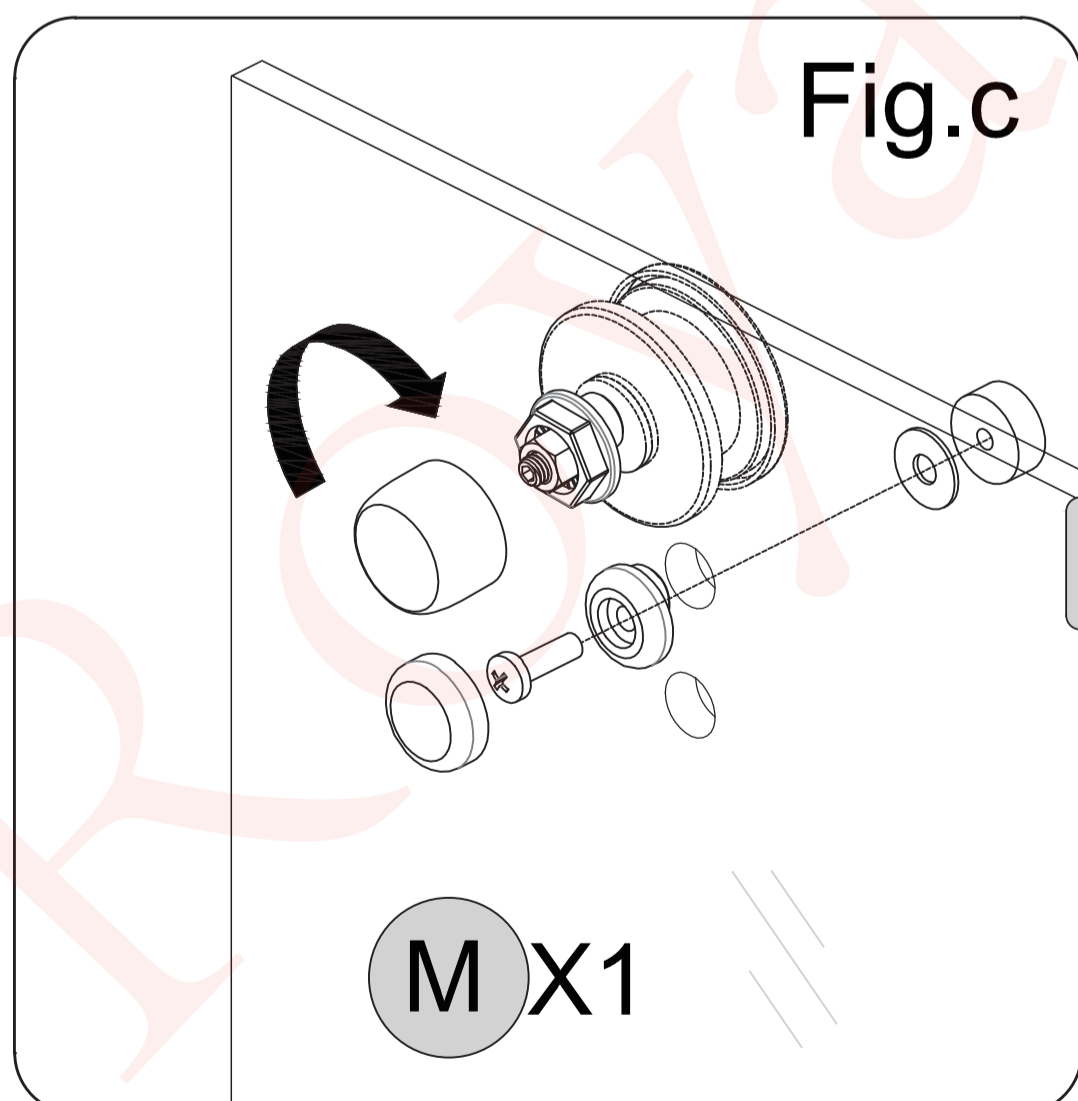


- 1、 Install the **Roller(I)** on the **Glass Door(E)** and faces outside as Fig.a and Fig.b;
- 2、 Install the **Stopper(M)** on **Glass Door(E)** as Fig.c .

Inside View



Inside View



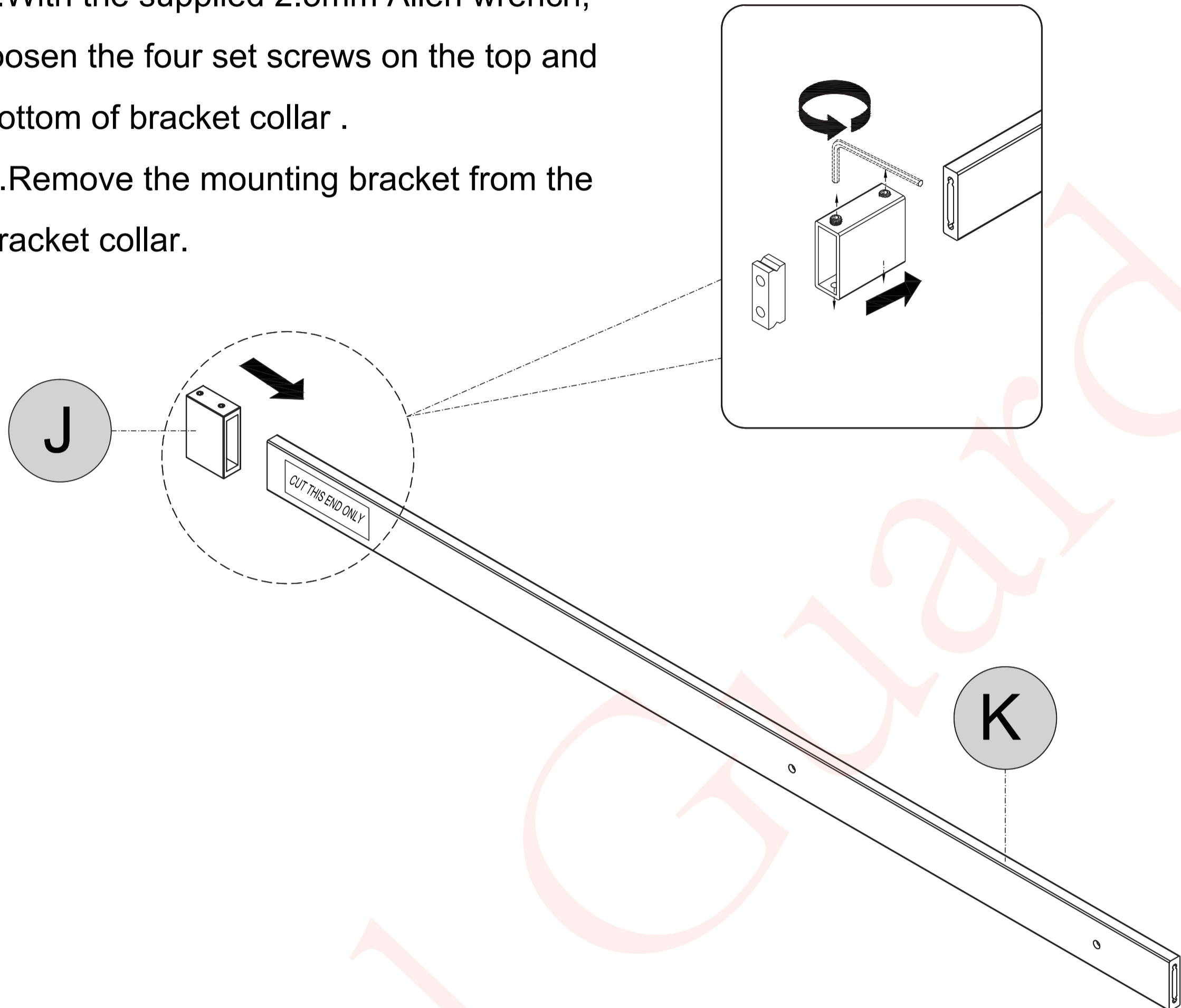
Inside View

CAUTION: When cutting or drilling metal components or when handling glass, to reduce the risk of personal injury, protective eye wear, gloves, and closed-toe shoes are required.

6 Insert **Wall Bracket (J)** to **Upper Guide Rail (K)**

1. With the supplied 2.5mm Allen wrench, loosen the four set screws on the top and bottom of bracket collar .

2. Remove the mounting bracket from the bracket collar.

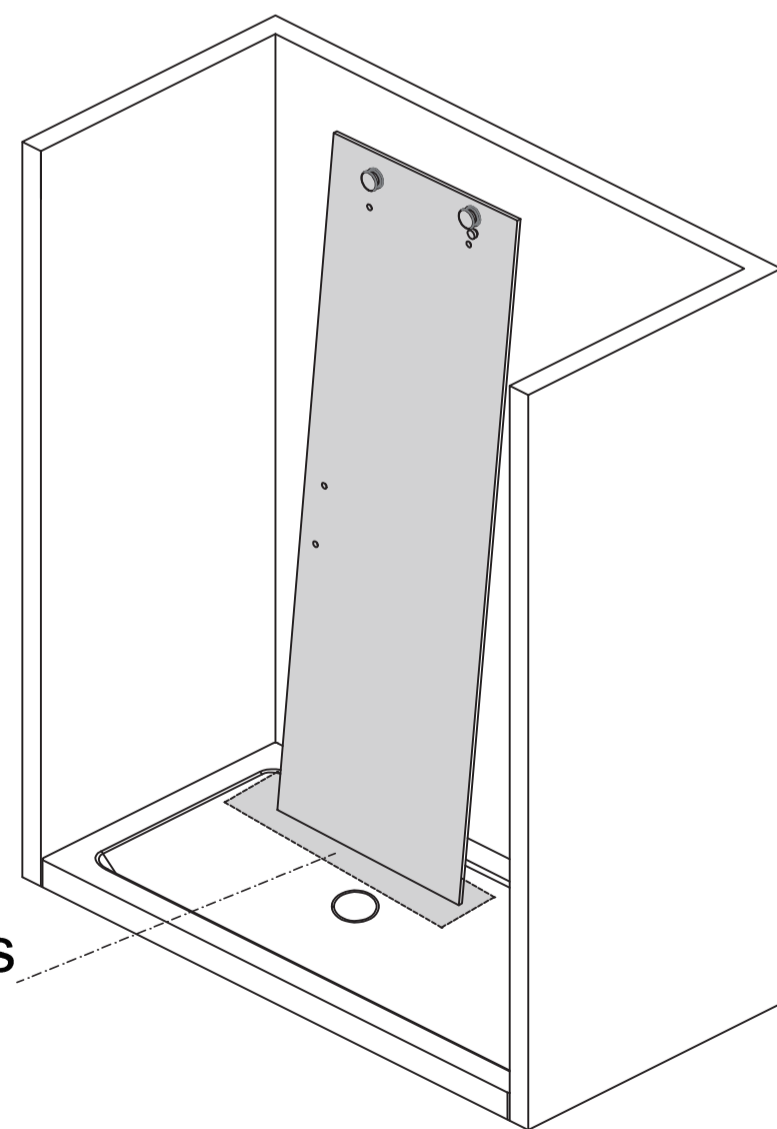


7

Carefully, and with assistance from another capable person, place **Glass Door (E)** into enclosure against rear wall, and the Roller faces outside.

CAUTION: When cutting or drilling metal components or when handling glass, to reduce the risk of personal injury, protective eye wear, gloves, and closed-toe shoes are required.

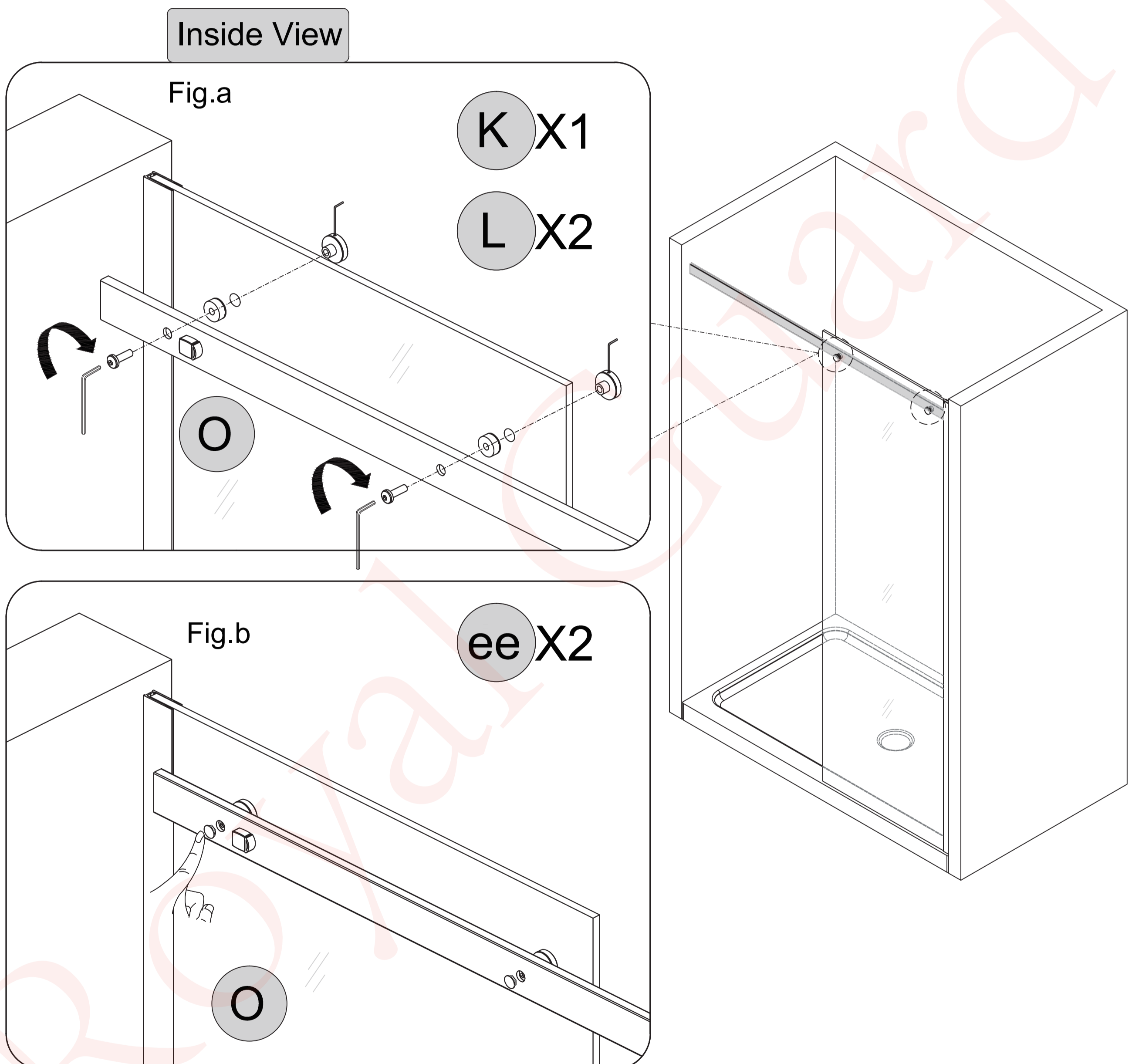
IMPORTANT: Lay the glass on a soft padded surface!



8 Upper Guide Rail(K) & Glass Bracket (L) Installation

Attach the **Upper Guide Rail (K)** to the inside of the **Stationary Glass(O)** with the **Glass Bracket (L)** as shown in Fig.a ;
Use provided Allen wrench to hand tighten.

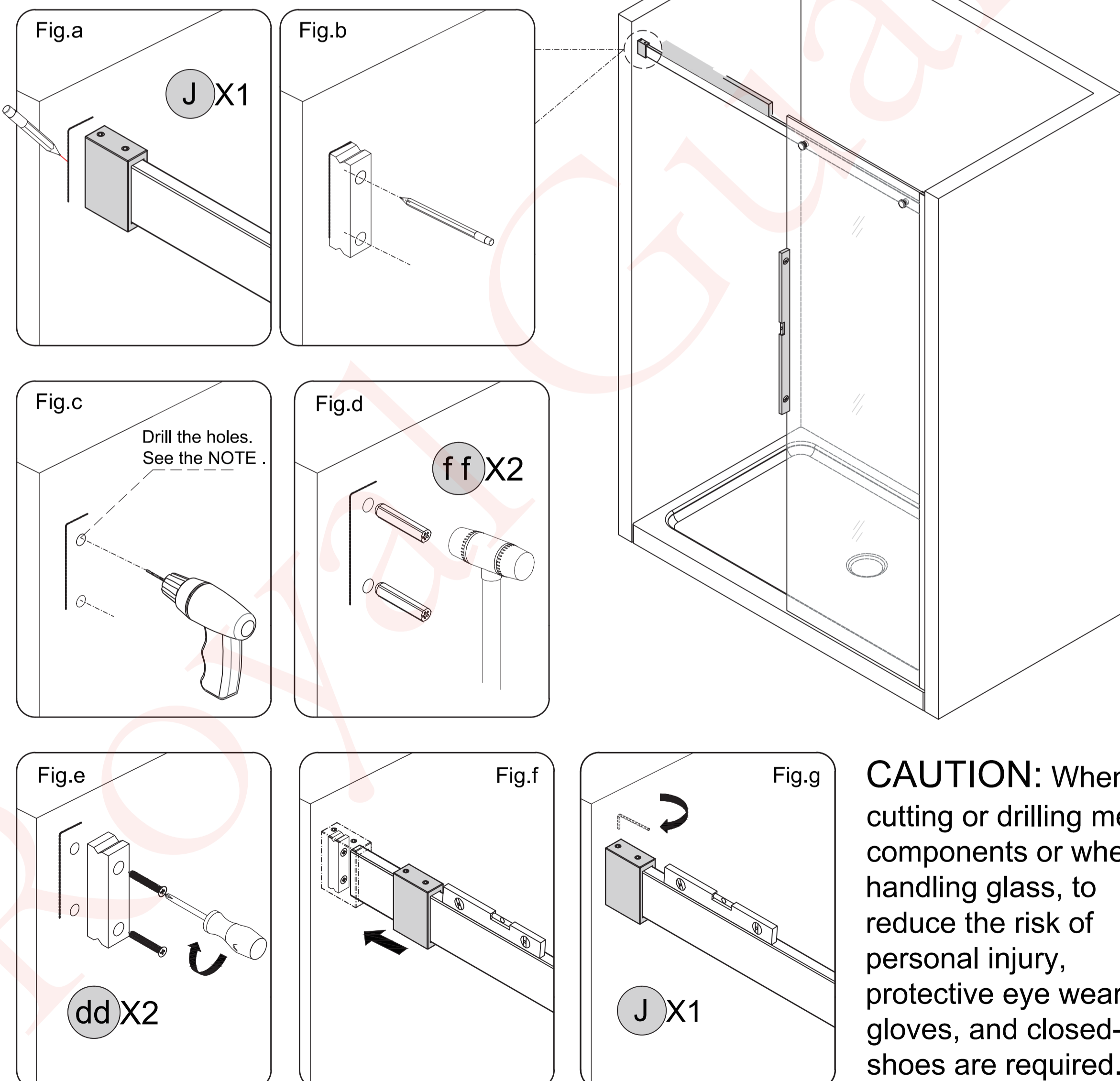
IMPORTANT: Ensure all washers and bushings are installed as shown.



9 Wall Bracket (J) Installation

- 1.Ensure **Upper Guide Rail(K)** is level. Using a pencil or other marking tool, mark the projection of the **Wall Bracket (J)** location on the door wall Fig.a and Fig.b;
- 2.According to the note, drill two holes. Attach the mounting bracket using **ST4 x 40 Screws (dd)** as Fig.c、 Fig.d and Fig.e;
- 3.Move bracket back a little bit;Align the **Upper Guide Rail(K)** with the bracket and Slide bracket outward (toward wall) over mounting bracket as Fig.f;
- 4.Tighten all four Allen screws by hand until secure as Fig.g .

- If a stud is presented behind the wall:
drill a $\text{Ø}1/8$ "(3mm) pilot hole into the stud and use the ST4.0 x 40mm **Screws (dd)**
OR
- If no stud is presented behind the wall:
drill a $\text{Ø}1/4$ "(6mm) hole and insert the **Wall Anchors (aa)** and use the ST4.0 x 40mm **Screws (dd)**.

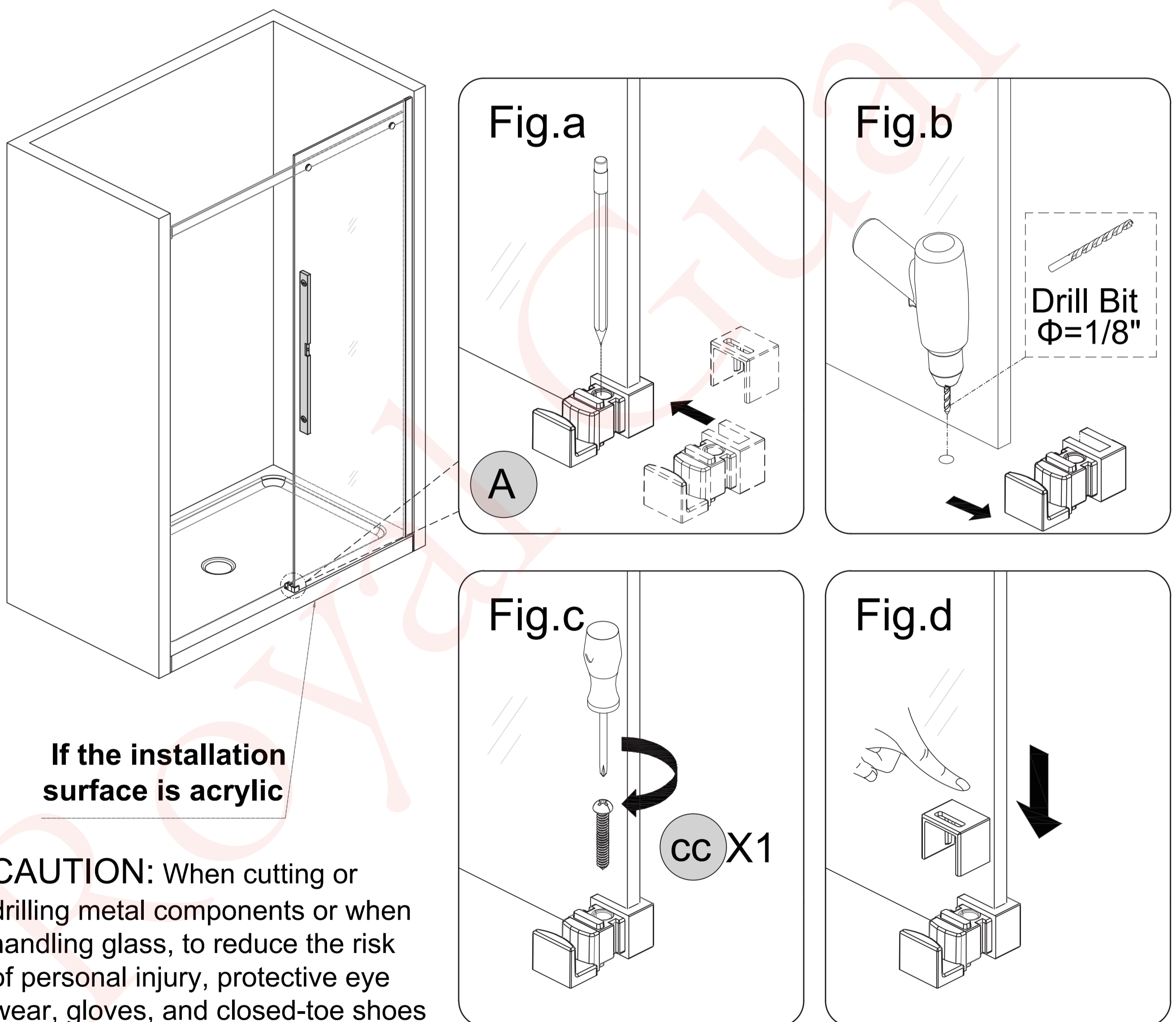


CAUTION: When cutting or drilling metal components or when handling glass, to reduce the risk of personal injury, protective eye wear, gloves, and closed-toe shoes are required.

10 **Guide Block (A)** can be installed on acrylic bathtub or stone bathtub. Please choose the installation method according to the bathtub type.

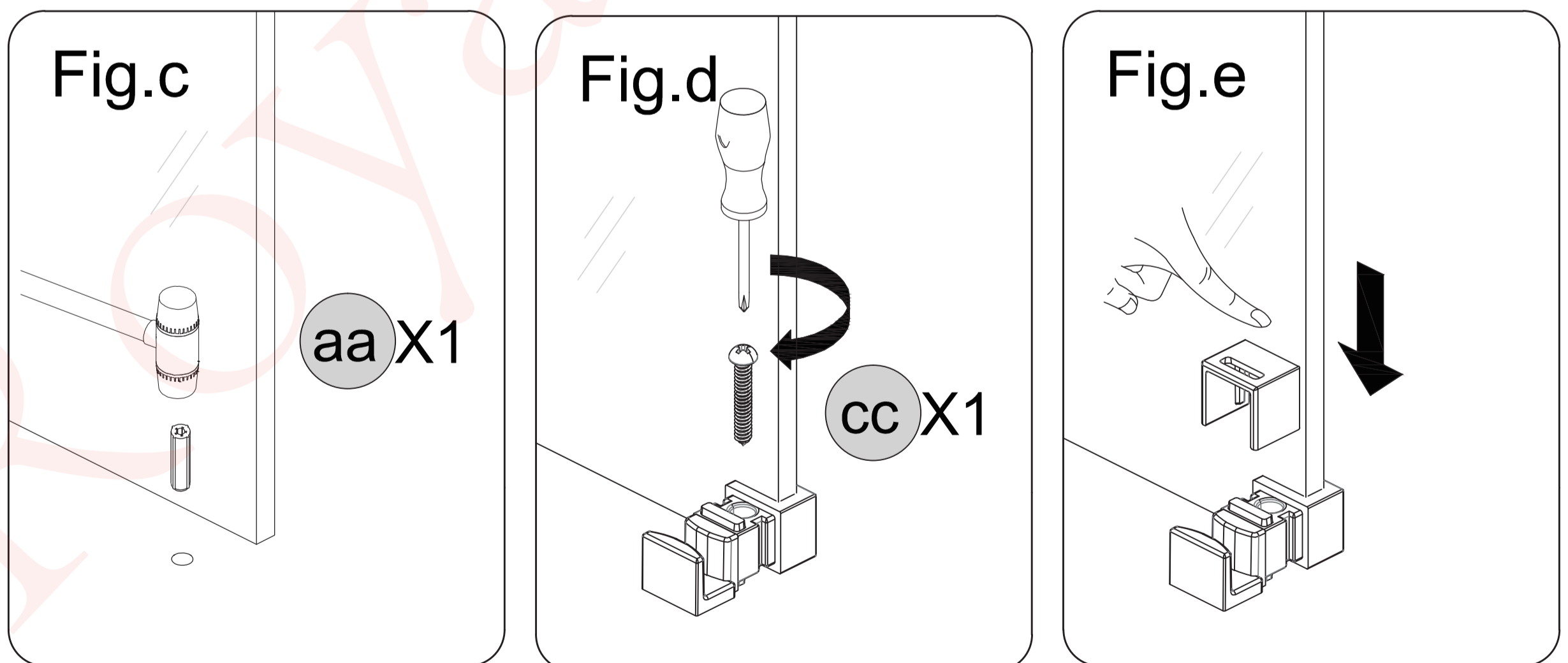
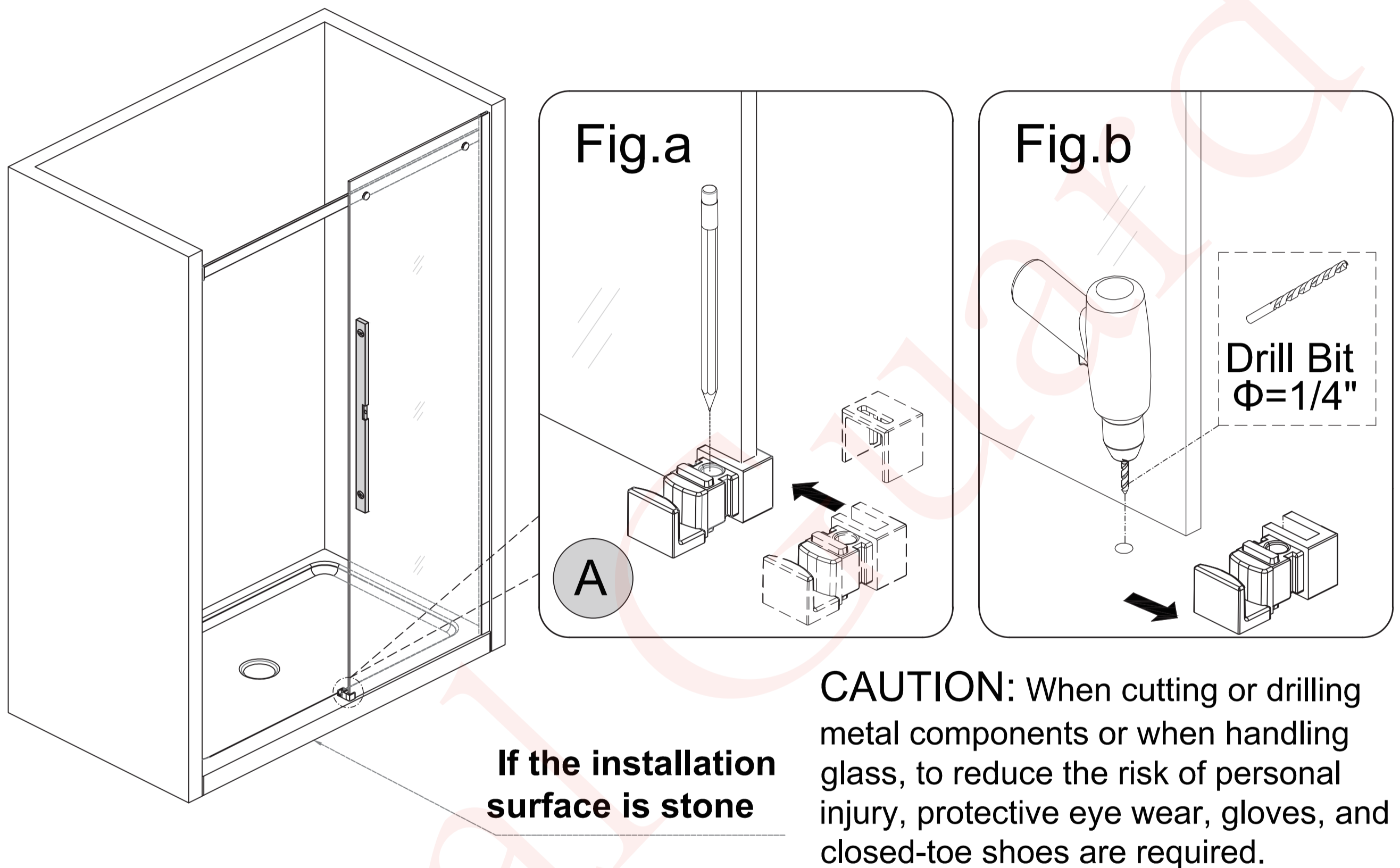
10-1 **Guide Block (A)** installed on Acrylic bathtub

1. Remove the cap from the **Guide Block(A)**.
2. Ensure the **Stationary Glass(O)** is plumb. Using a pencil or other marking tool, mark the hole as Fig.a
3. Drill one $\text{\O}1/8''$ (3.2mm) hole. Attach the **Guide Block(A)** using **ST4 x 30 Screws (cc)** as Fig.b、 Fig.c.
4. Put the cap on the **Guide Block(A)** as Fig.e.



10-2 Guide Block (A) installed on stone bathtub

1. Remove the cap from the **Guide Block(A)**.
2. Ensure the **Stationary Glass(O)** is plumb. Using a pencil or other marking tool, mark the holes as Fig.a
3. Drill one $\text{\O}1/4"$ (6mm) hole and insert the **Wall Anchor (dd)**. Attach the **Guide Block(A)** using **ST4 x 30 Screws (cc)** as Fig.b、 Fig.c、 Fig.d.
4. Put the cap on the **Guide Block(A)** as Fig.e.



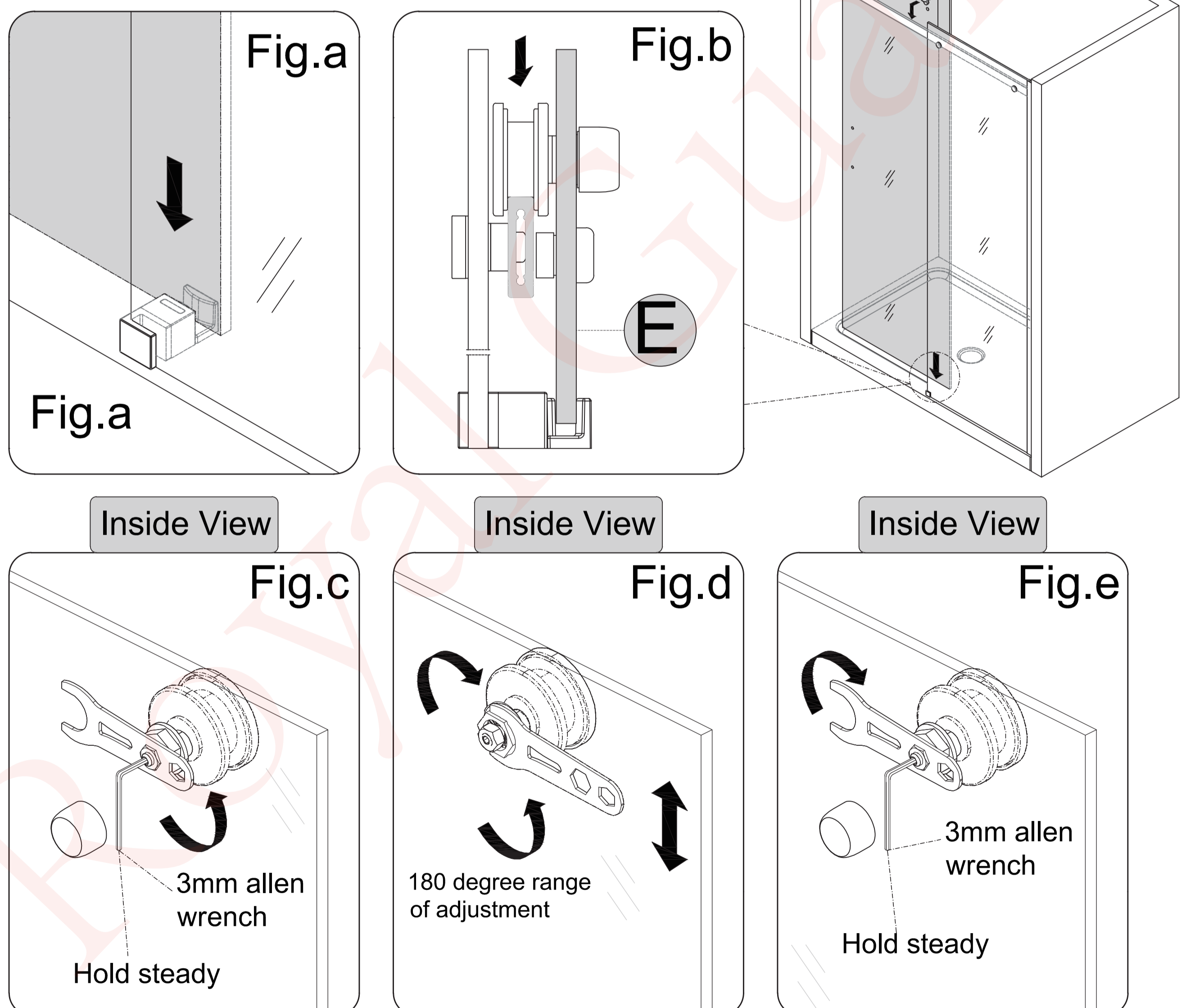
11 Glass Door (E) Installation

DO NOT install the towel bars on the glass until instructed.

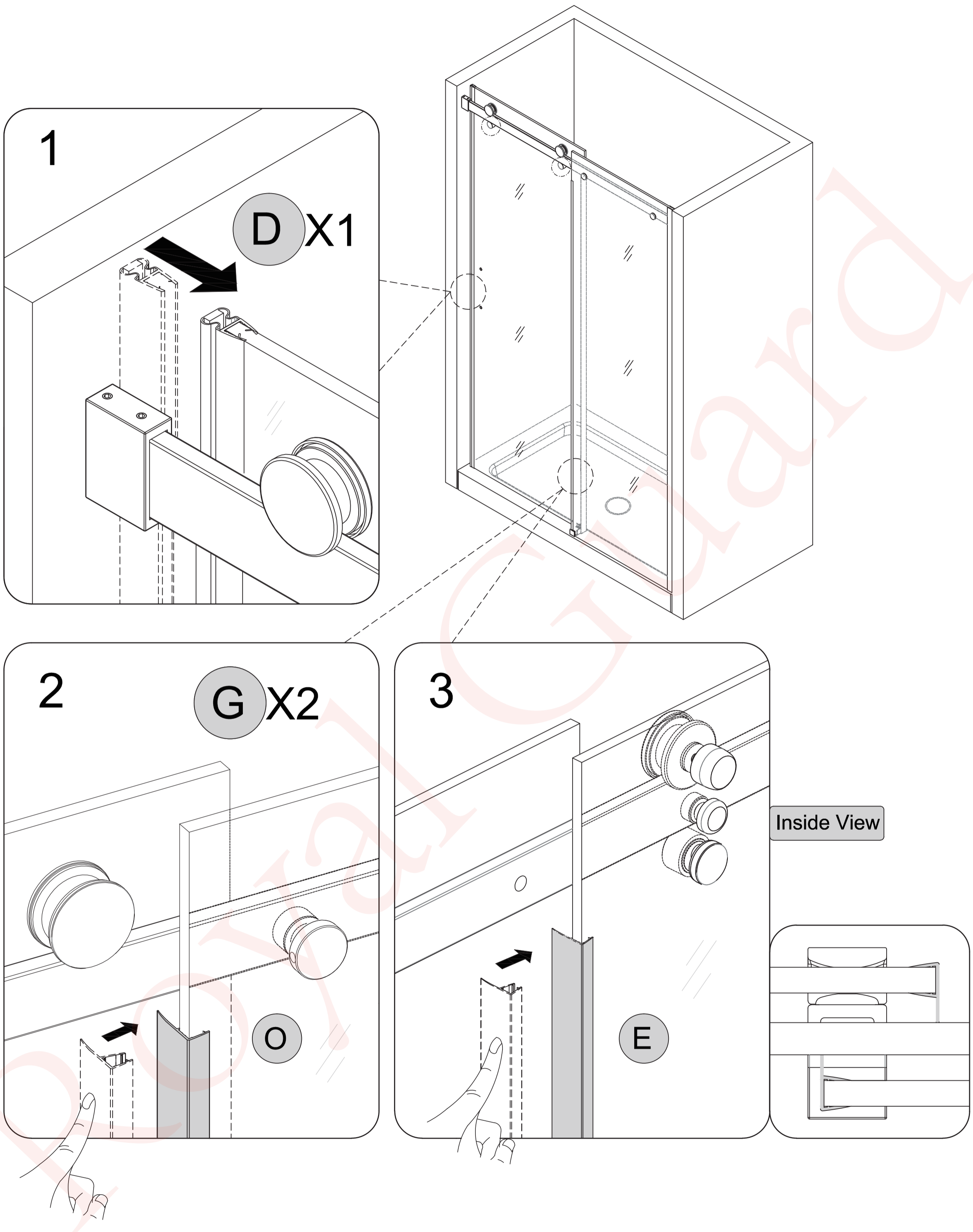
DO NOT lift the glass using the handle;

1. Insert the **Glass Door(E)** into the **Guide Block(A)** as Fig.a;
2. From inside of enclosure, carefully, and with assistance from another capable person, hang sliding **Glass Door(E)** and **Roller (I)** onto **Upper Guide Rail(K)**. as Fig.b ;
3. If the **Glass Door (E)** is not aligned with the wall, the door height at each roller can be individually adjusted from inside the shower enclosure using the adjustment wrench. Using larger hex slot on provided adjustment wrench, carefully loosen nut but do not remove. Using large wrench on provided adjustment wrench, rotate large plastic nut as Fig.c , Fig.d and Fig.e. This will raise or lower the door panel at this location.
4. Repeat step 3 until the **Glass Door (E)** aligns with the Wall.

CAUTION: When cutting or drilling metal components or when handling glass, to reduce the risk of personal injury, protective eye wear, gloves, and closed-toe shoes are required.

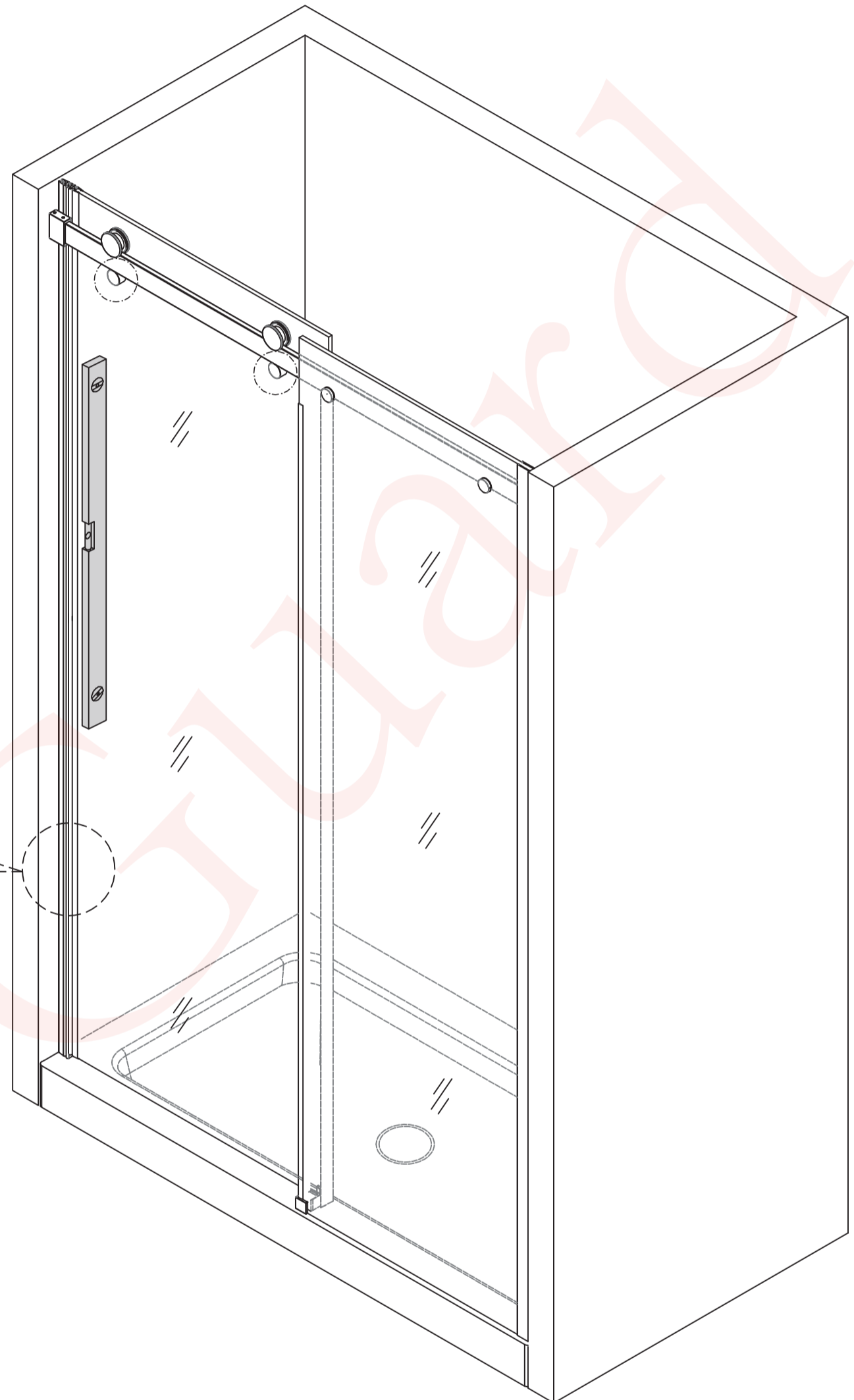
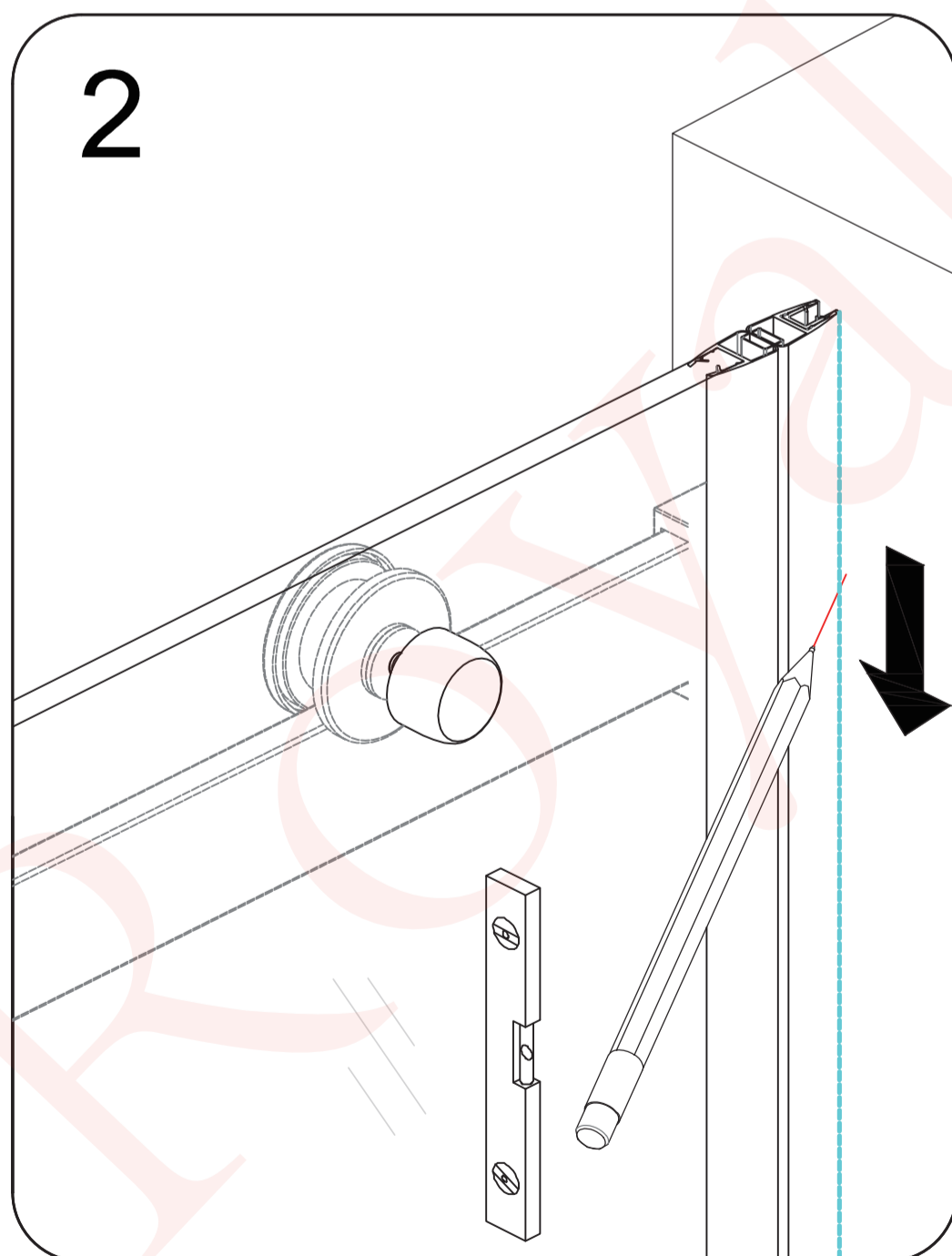
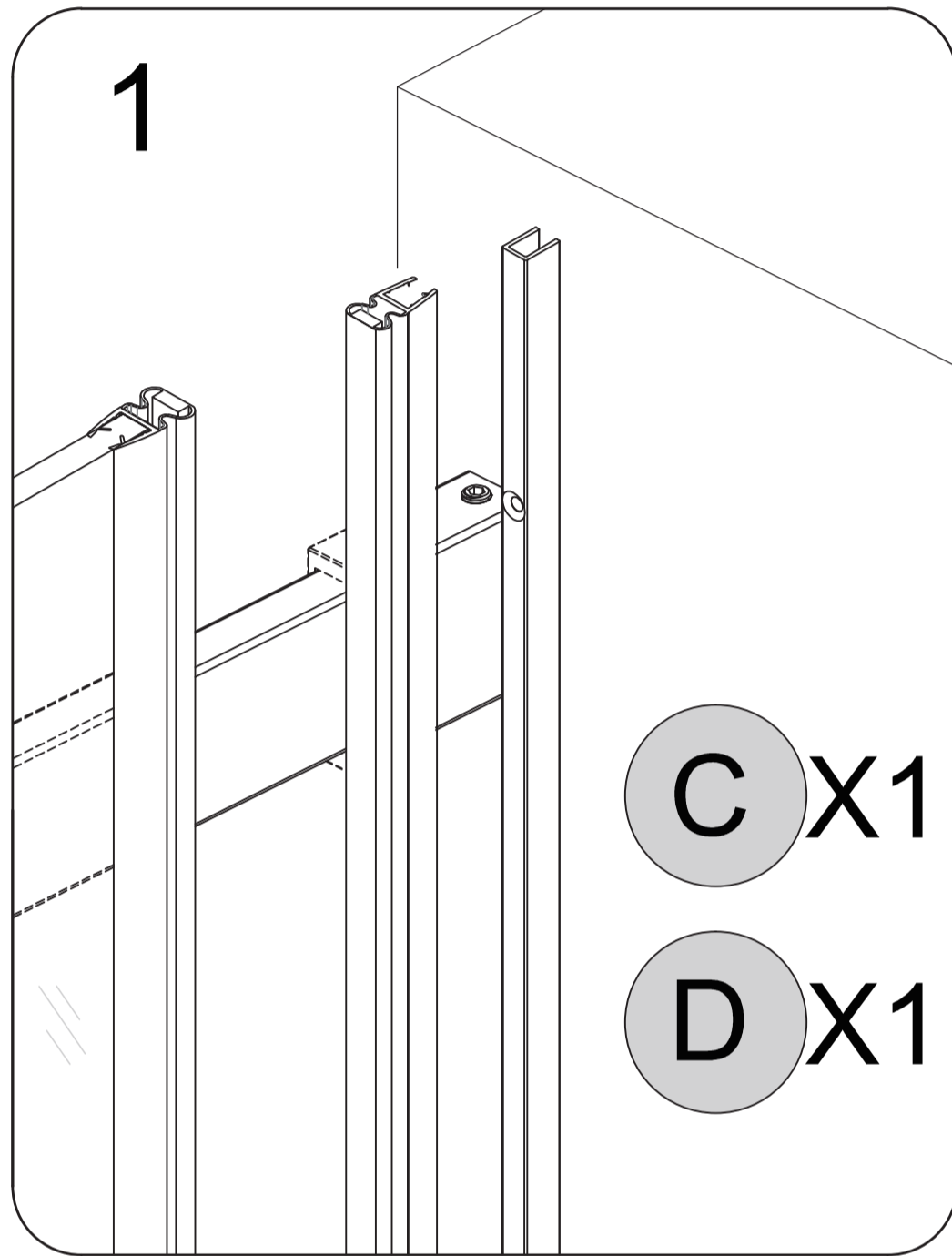


12 Magnetic Strip (D) and Anti-Water Strip (G) Installation

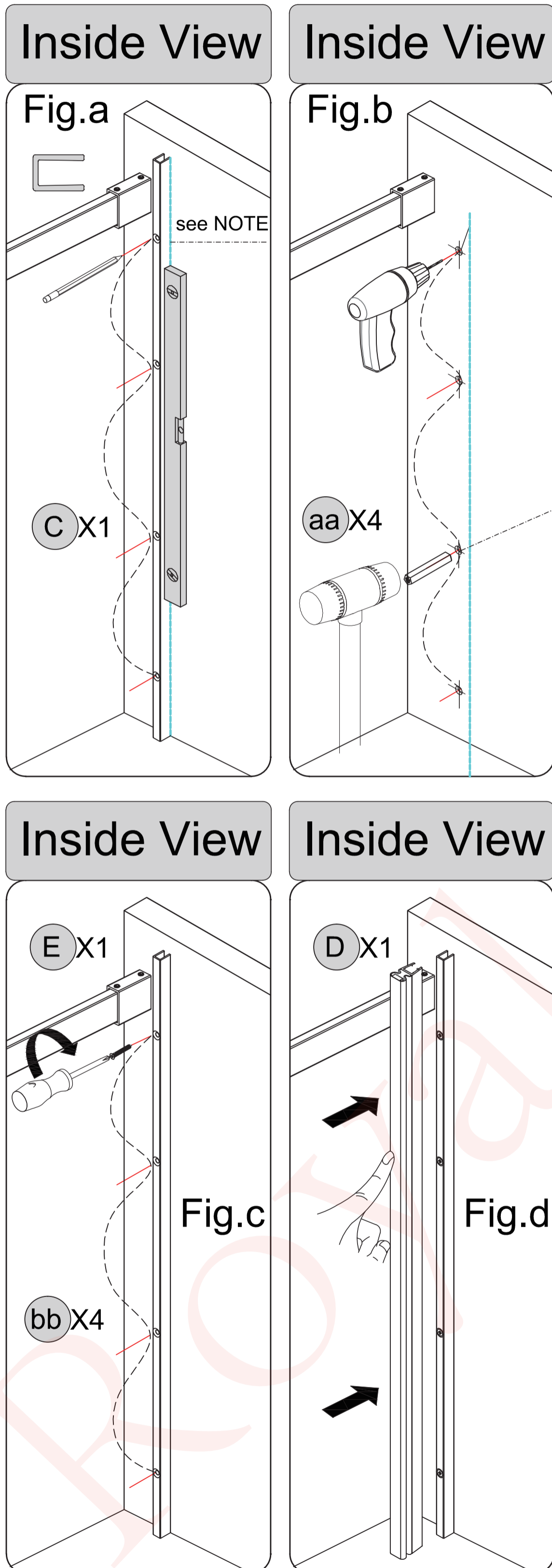


12-1 U Channel(C) & Magnetic Strip(D) Installation

1. Check the threshold for level and the **Glass Door(E)** for plumb.
2. Check the **Glass Door(E)** to make sure it moves smoothly.
3. Using a pencil or other marking tool, mark the projection of the **U Channel(C)** on the door wall .



12-2 U Channel(C) & Magnetic strip(D) Installation



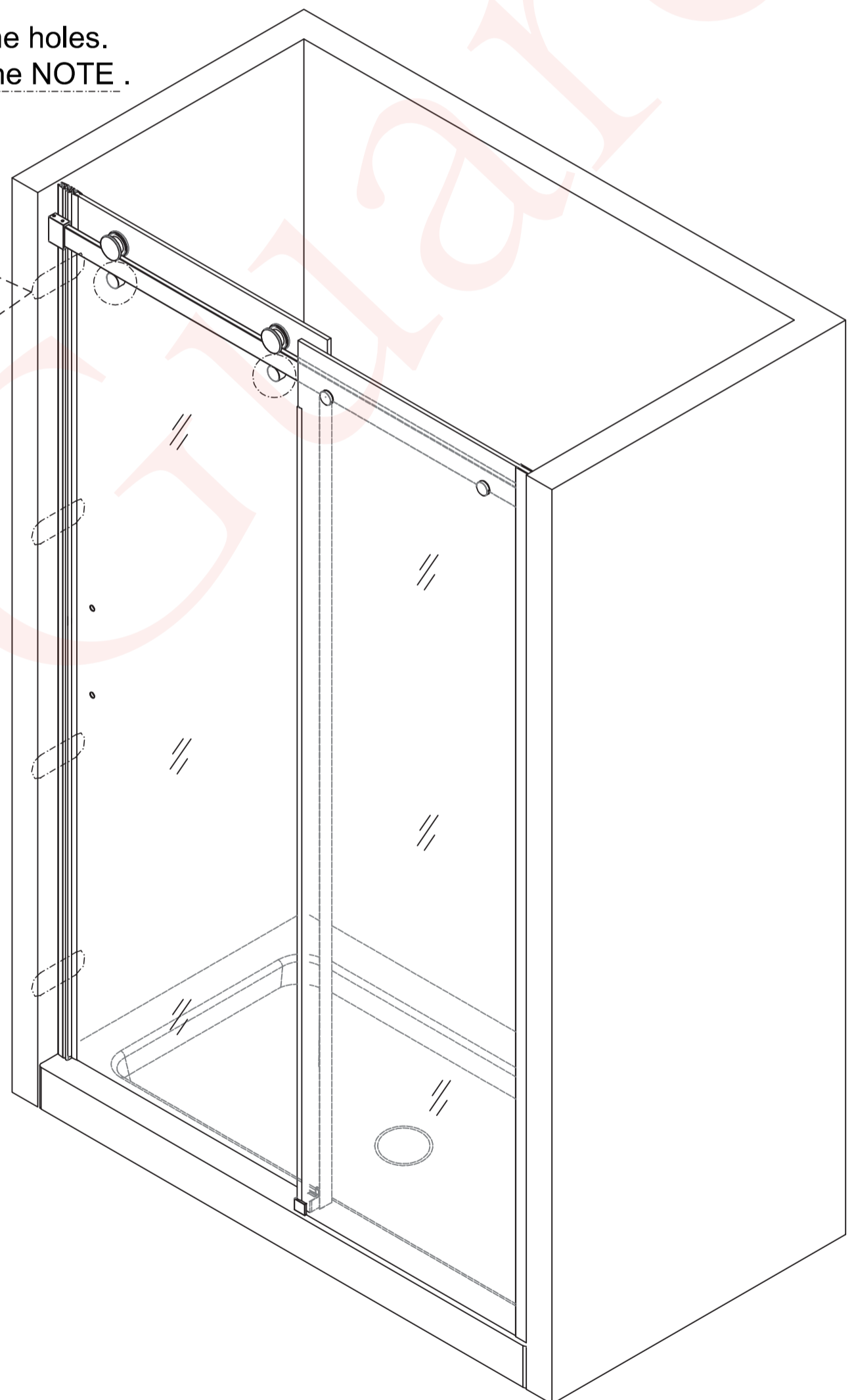
- If a stud is presented behind the wall: drill a $\text{Ø}1/8"$ (3mm) pilot hole into the stud and use the ST4.0 x 30mm **Screws (bb)**

OR

- If no stud is presented behind the wall: drill a $\text{Ø}1/4"$ (6mm) hole and insert the **Wall Anchors (aa)** and use the ST4.0 x 30mm **Screws (bb)**.

1. Ensure the **U channel(C)** is plumb. Using a pencil or other marking tool, mark the holes as Fig.a
2. Drill four $\text{Ø}1/4"$ (6mm) holes and insert the **Wall Anchor (dd)**. Attach the **U channel(C)** using **ST4 x 30 Screws (bb)** as Fig.b, Fig.c.
3. Insert the **Magnetic Strip(E)** into the **U Channel(C)** as Fig.d.

Drill the holes.
See the NOTE.

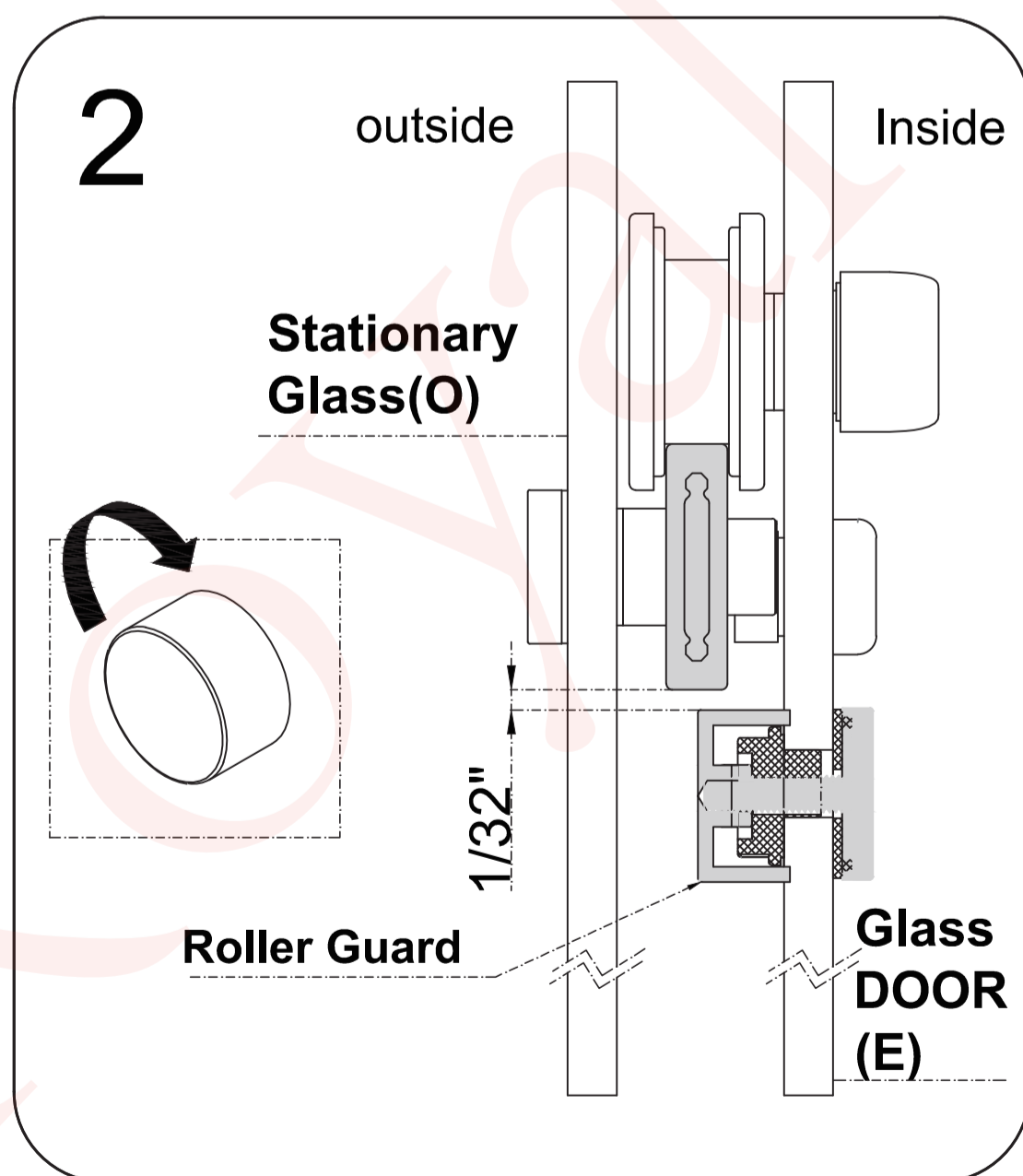
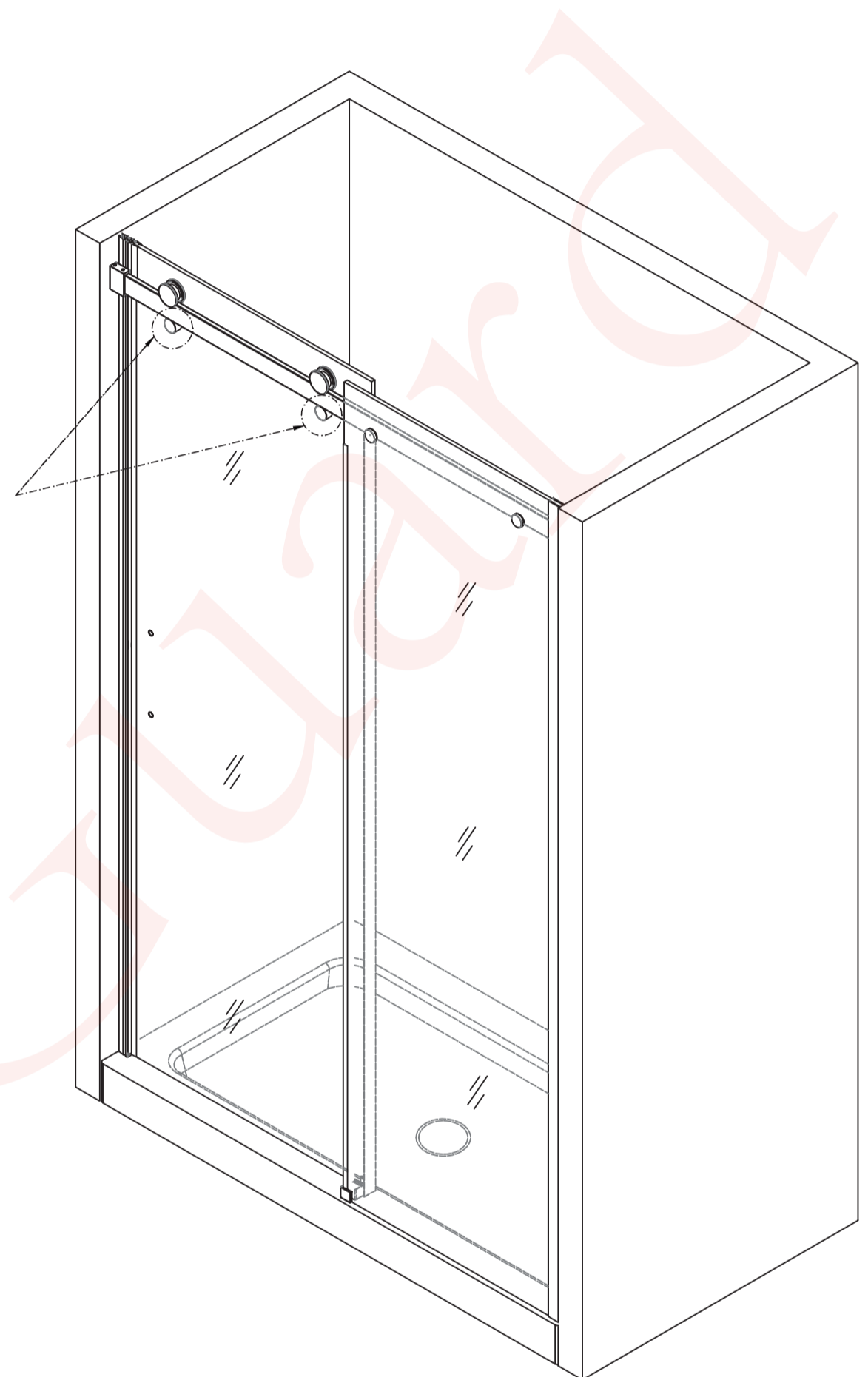
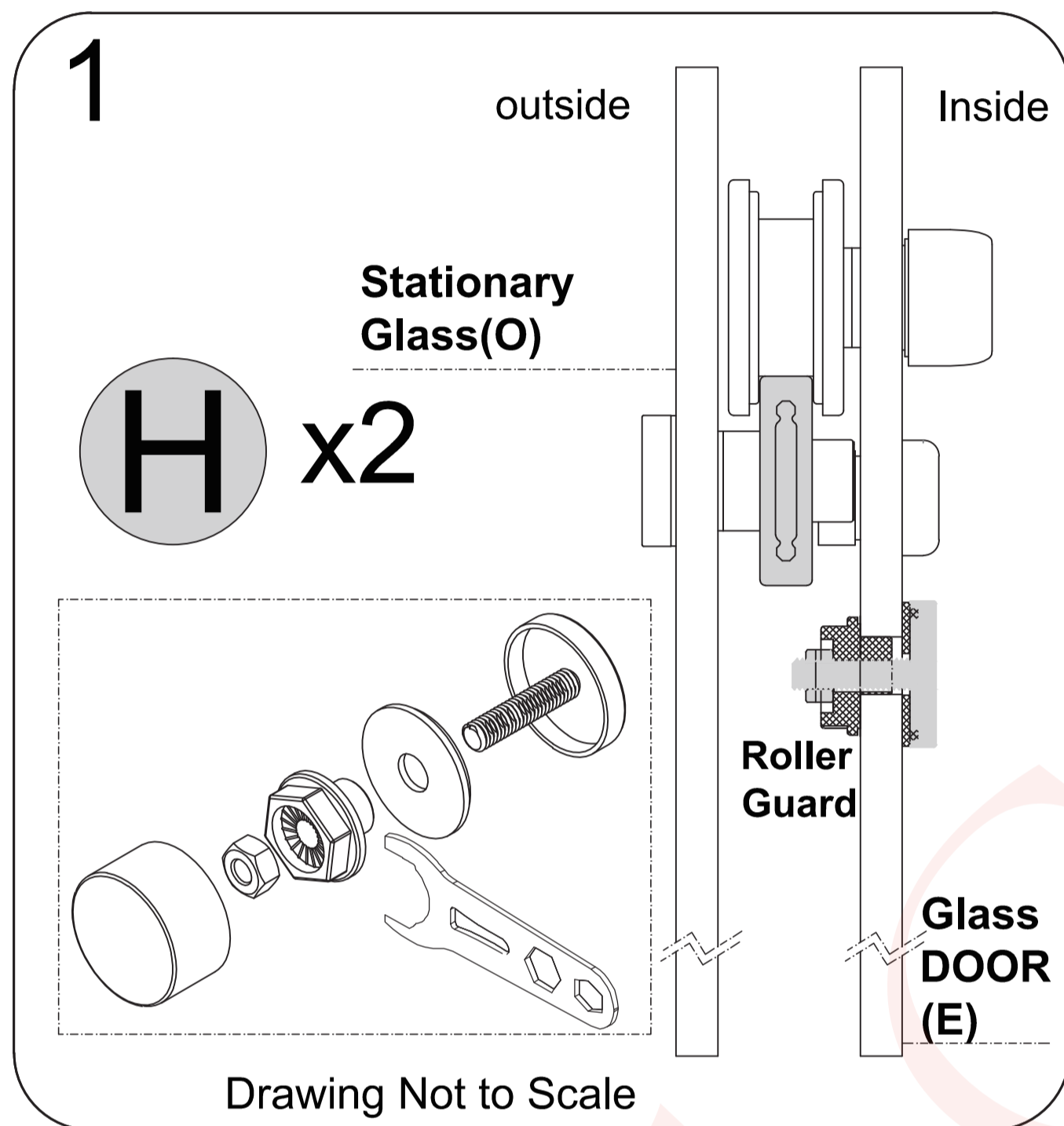


CAUTION: When cutting or drilling metal components or when handling glass, to reduce the risk of personal injury, protective eye wear, gloves, and closed-toe shoes are required.

13 Roller Guard(H) Installation

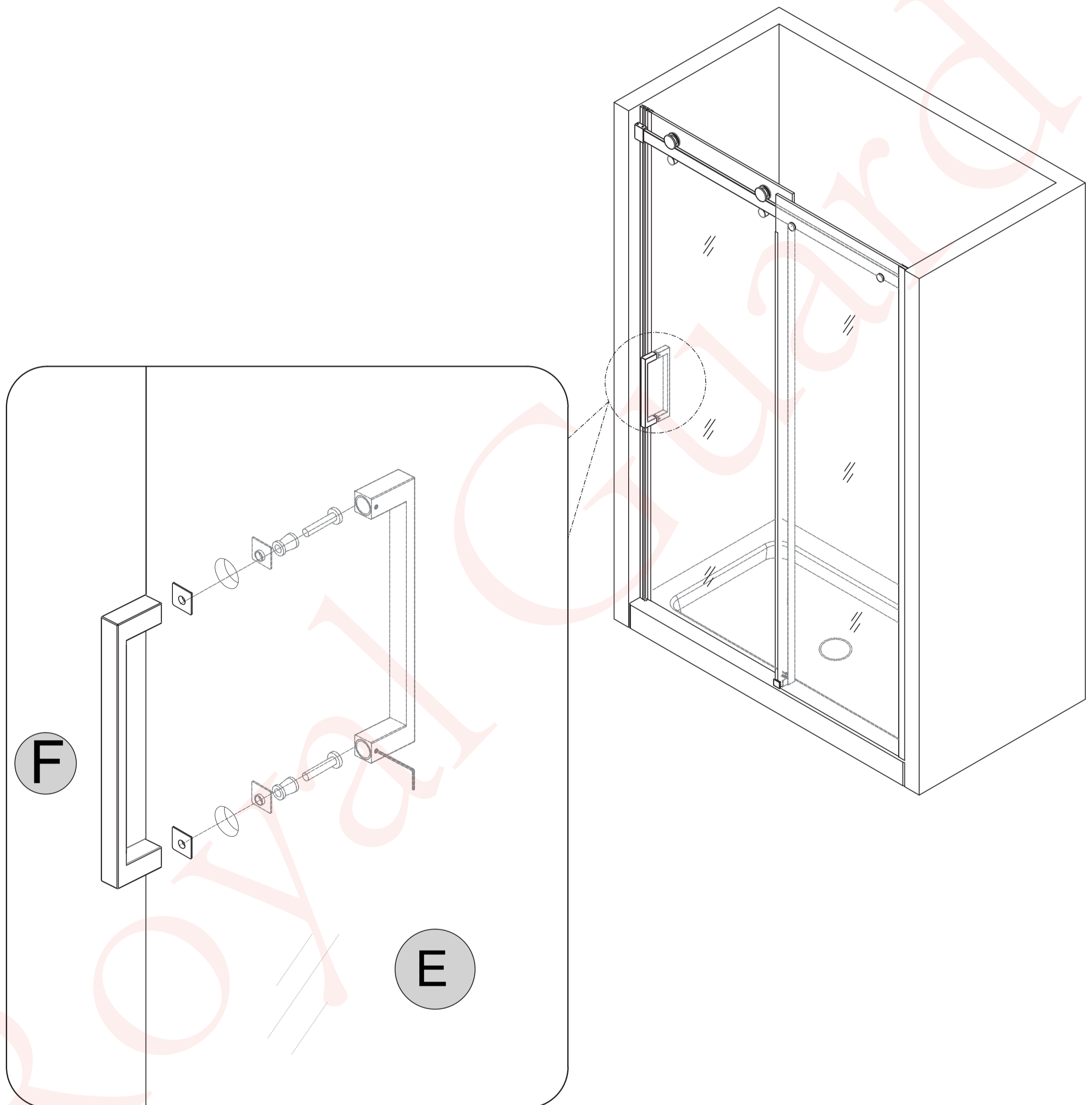
Attach the **Roller Guard (H)** to the **Glass Door(E)** to prevent the door glass from being lifted off of the **Upper Guide Rail (K)**.

Adjust the **Roller Guard (H)** to within $1/32$ " beneath the **Upper Guide Rail (K)**.



14 Handle(F) Installation

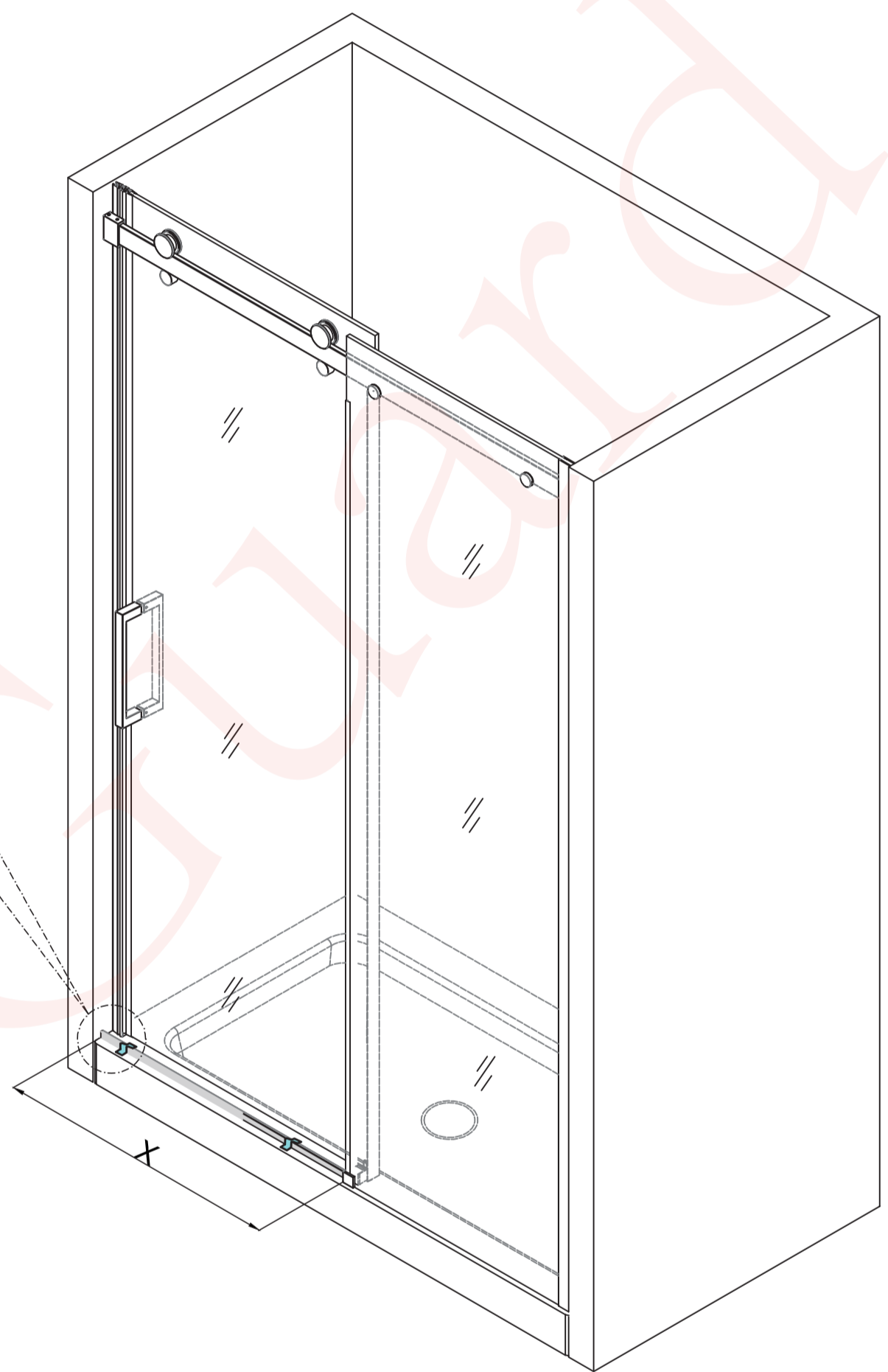
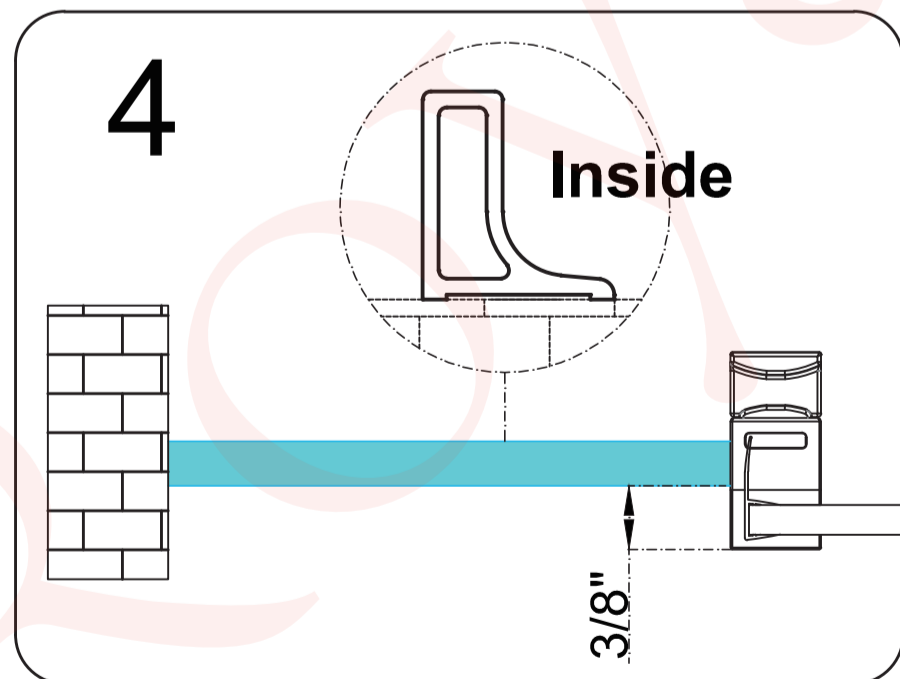
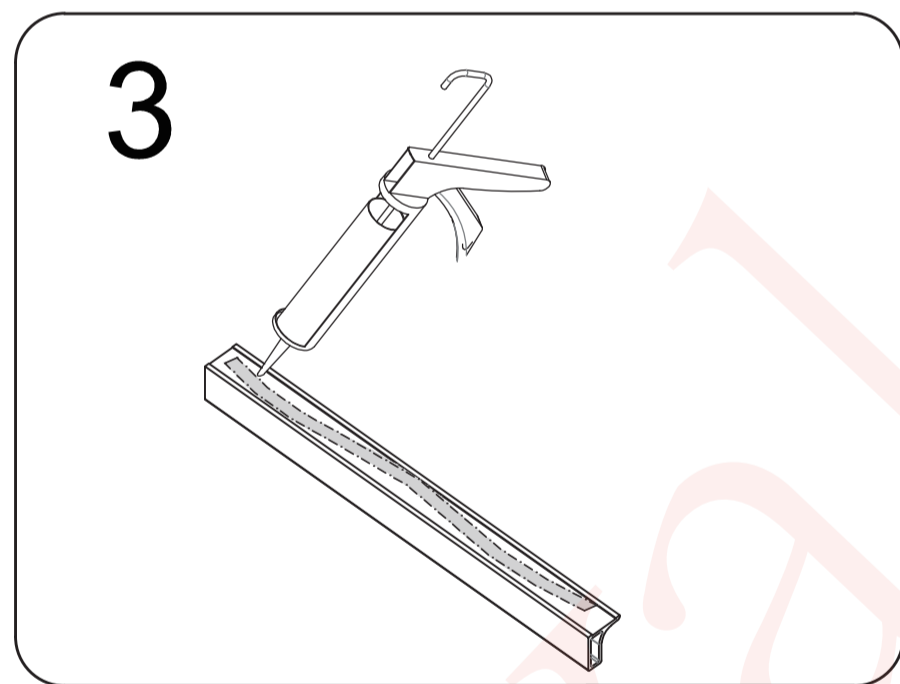
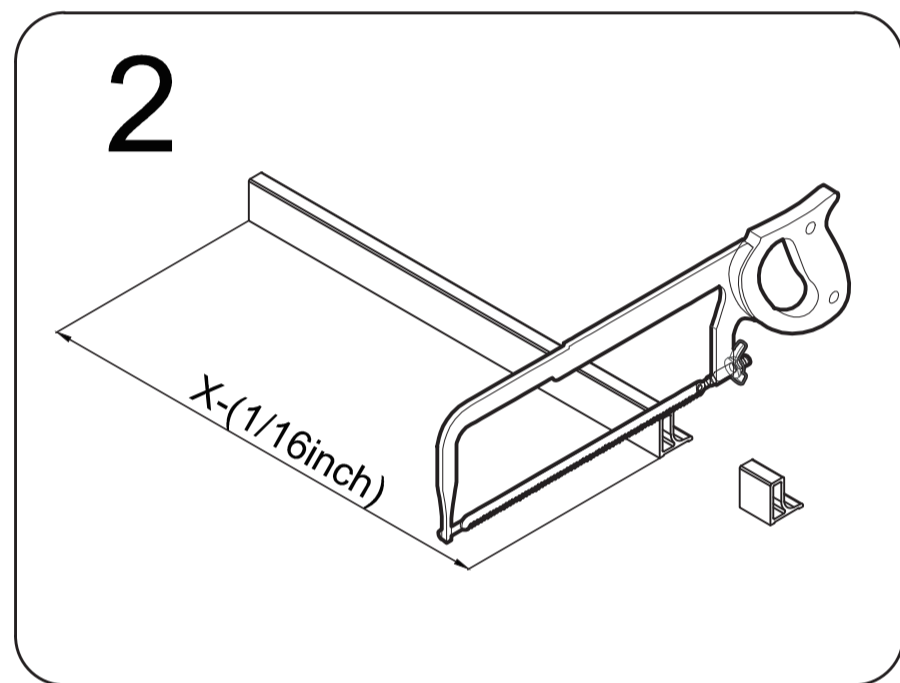
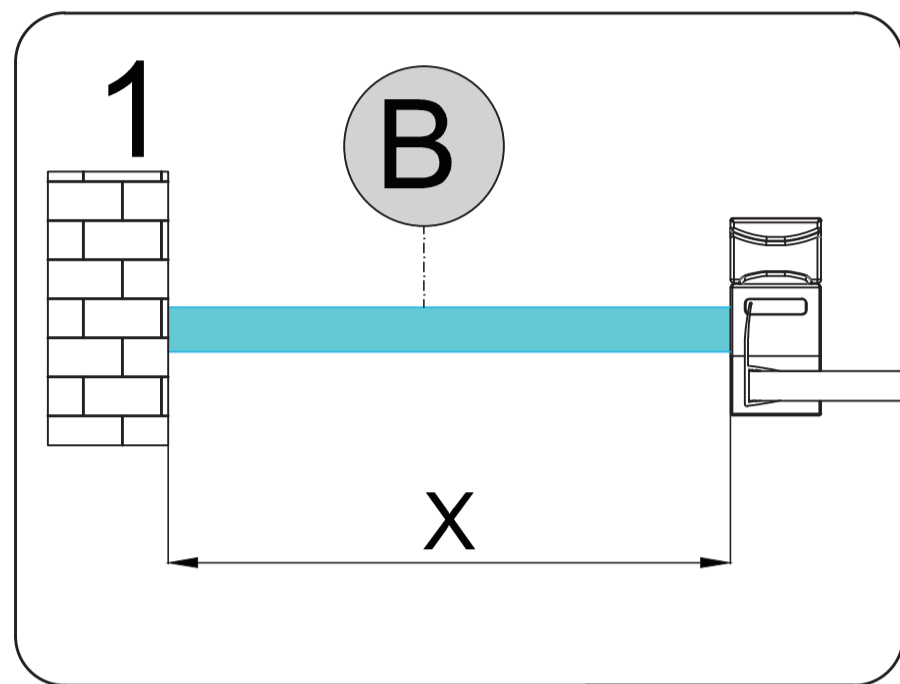
Attach the **Handle (F)** to the **Glass Door (E)** . Be sure to use all of the supplied rubber gaskets to protect the glass.



15 Alu. Threshold(B) Installation


Measure "X" and cut the **Alu. Threshold (B)** same length as "(X-1/16inch)".

"X" wall to **Guide Block(A)**.



Use Painter's Tape to hold the Water seal tight in position while the silicone cures.

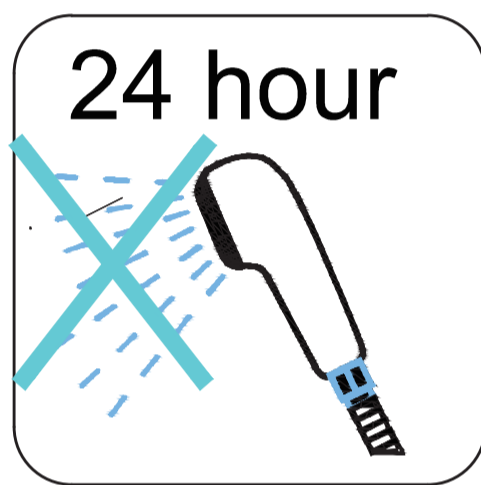
16 SEALING


 The surfaces need to be clean and free of debris before applying silicone.

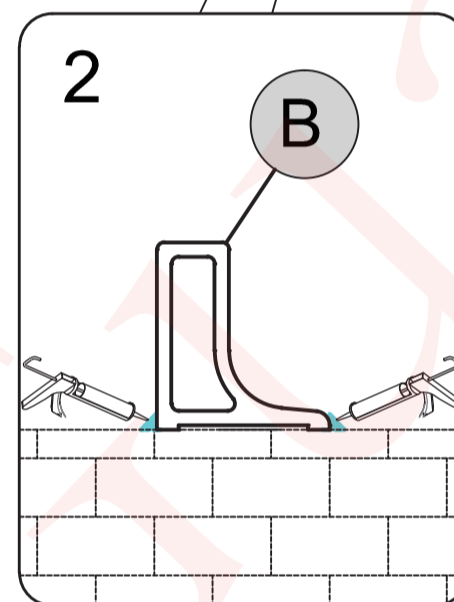
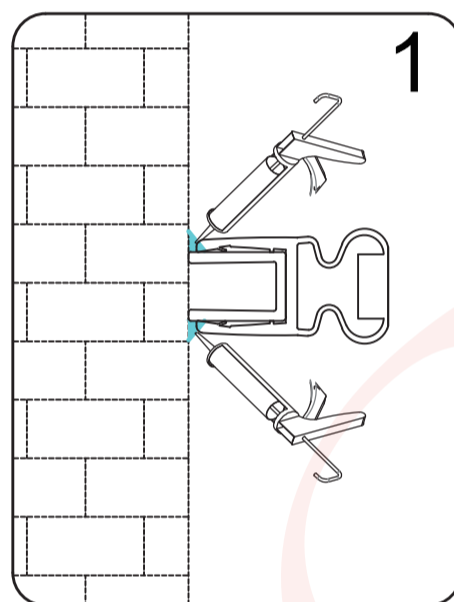
Ensure that the Shower door closes tightly and opens smoothly.

Apply a good quality silicone sealant along the U channel(C) and Guide Block (A) and bottom of Stationary Glass(O) and Wall Jamb(N).

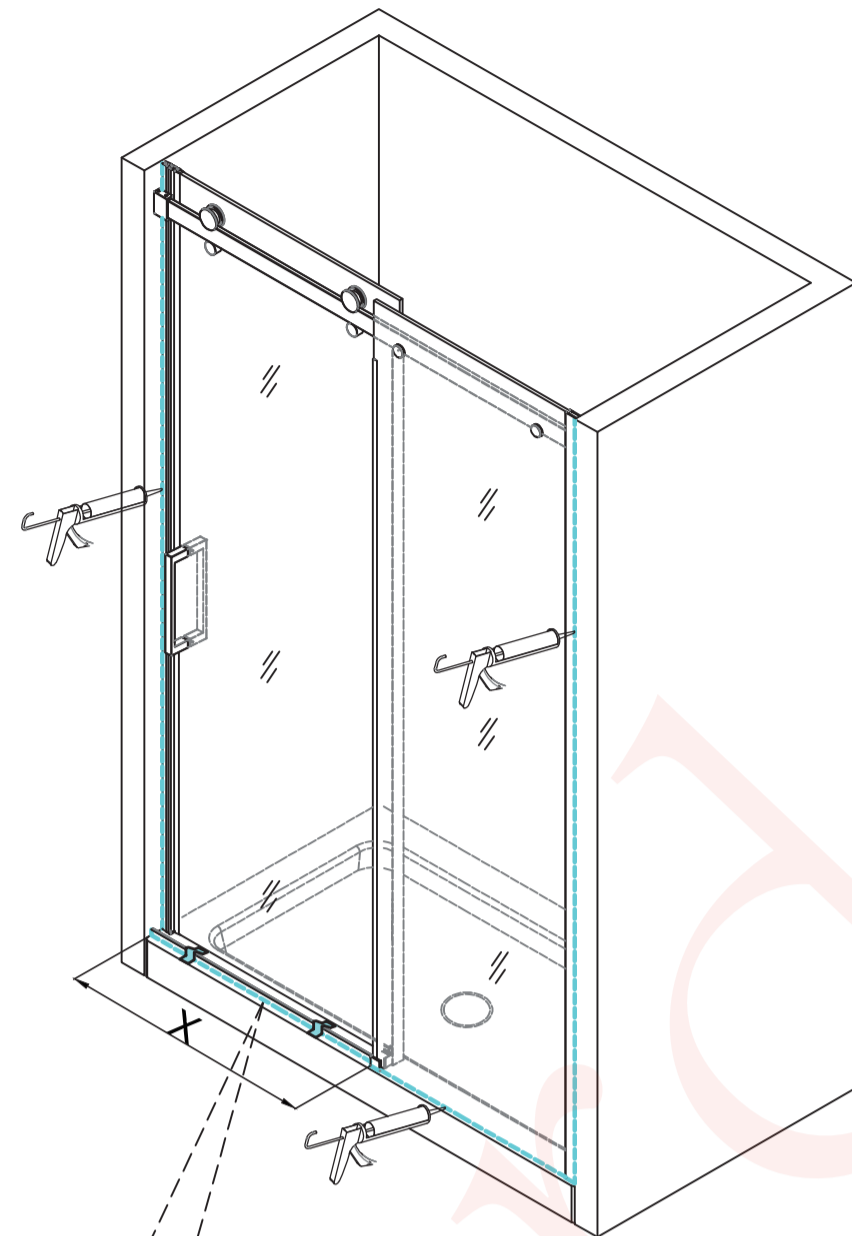
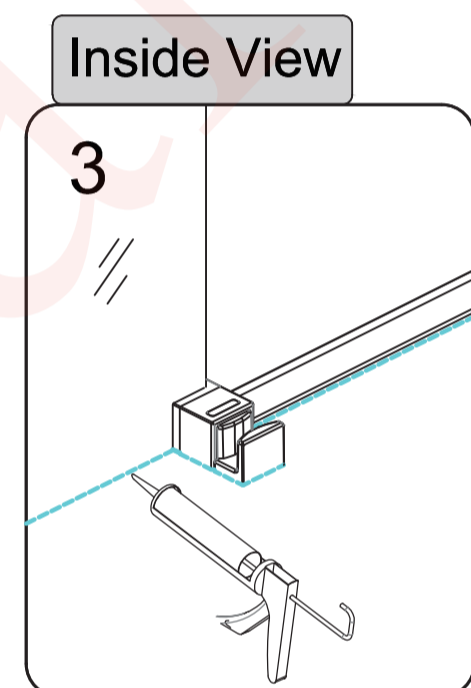
 **Allow 24 hours for the silicone to cure before using the shower.**



 Apply Silicone Sealant, (not supplied).



Apply silicone around the **Alu. Threshold(B)**.



17 Complete.

