

KM-17

Assemble Instructions

Hardware Identification



Ⓐ M6*10x12PCS



Ⓑ M6x1PC

Part Identification

①x4PCS



②x1PC



③x1PC



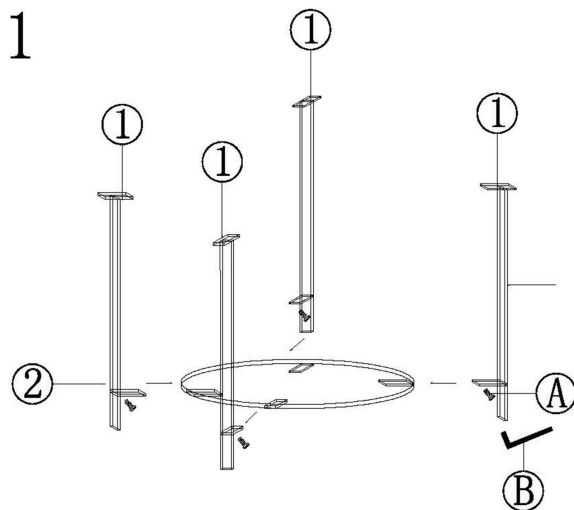
④x1PC



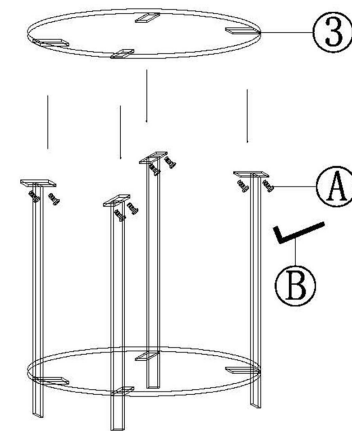
⑤x1PC



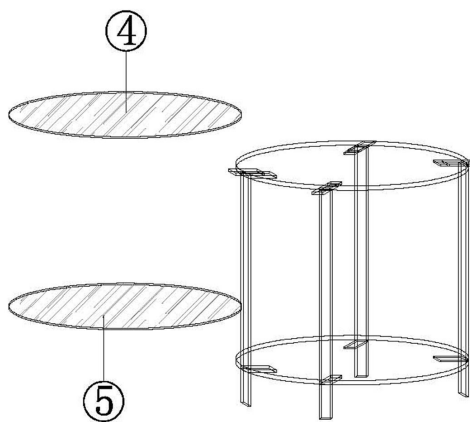
1



2



3



4

