

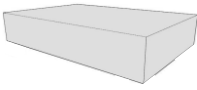

## CARE AND MAINTENANCE

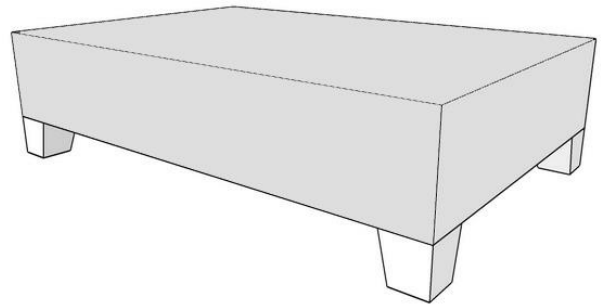
See care label

## NOTICE

- \* Please make sure that you have all parts indicated before you begin assembly of this item
- \* This item should be assembled on a soft surface to prevent scratching the finish during assembly
- \* This item may require periodic tightening

## Part List and Hardware List

NO.	DESCRIPTION	PICTURE	QTY
1	Top		1
2	Legs		4



**WARNING : DO NOT STAND ON TABLE**

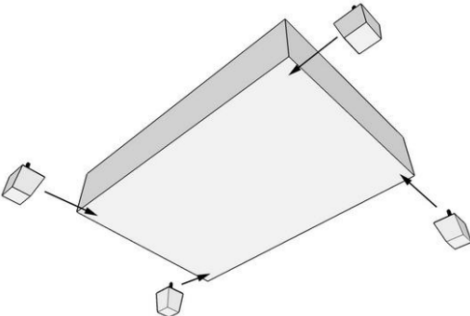
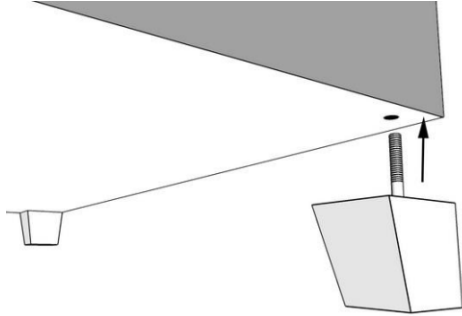
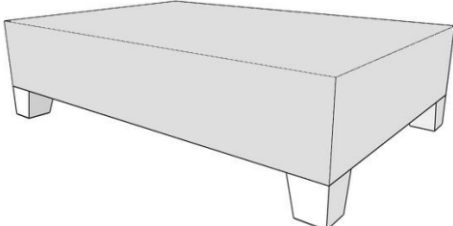


**Hardware is located inside the box. You can find them placed near the sign 'HARDWARE INCLUDED'**

## PREPARATION

Before beginning assembly of product, make sure all parts are presents. Compare parts with package contents list and hardware contents list. If any part is missing or damaged, do not attempt to assemble the product.

Estimated Assembly Time : 5 minutes.

		
<b>Step 1 :</b> Put the legs on top of its base. Follow the arrow head and signs to place it correctly. Align its holes so bolts can be placed properly.	<b>Step 2 :</b> Insert bolts in each hole. Tighten legs	<b>Step 3 :</b> Your table is ready.

**Hardware is located inside the box. You can find them placed near the sign 'HARDWARE INCLUDED'**