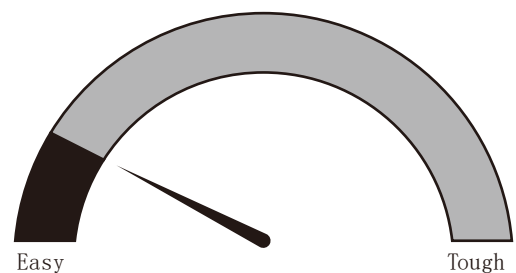


THIS INSTRUCTION BOOKLET CONTAINS IMPORTANT SAFETY INFORMATION. PLEASE READ AND KEEP FOR FUTURE REFERENCE.



WARNING

- Unit can tip over causing severe injury or death.
- Anchor unit to stud in wall (if instructed to).
- Do Not allow children to climb on unit.
- Put heavy items on lower shelves or drawers.



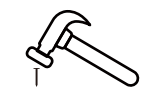
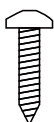
Assembly Difficulty Meter

Helpful Hints

PEOPLE NEEDED FOR ASSEMBLY: 1 - 2

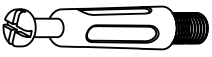

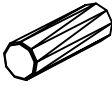
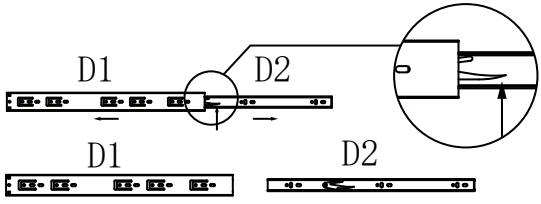


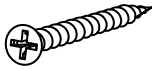
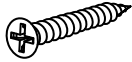
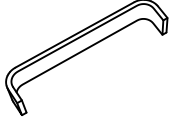
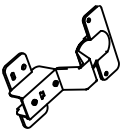
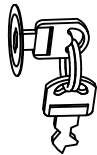
ESTIMATED ASSEMBLY TIME: 1 HOUR

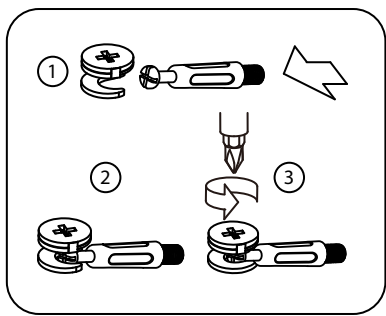
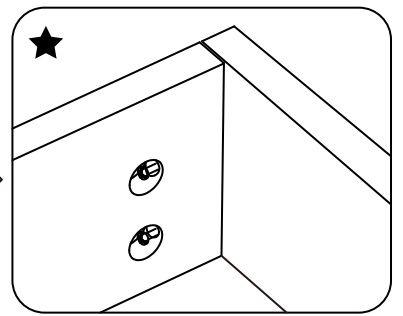
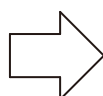
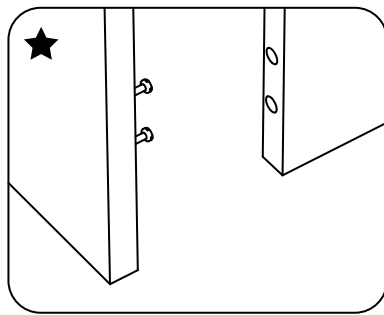
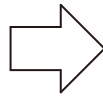
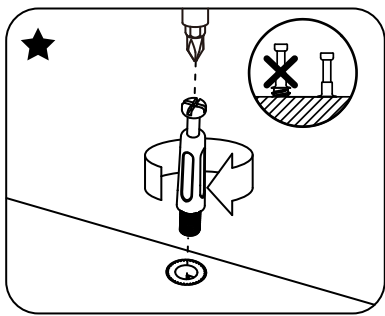
- Identify, sort and count the parts before attempting assembly.
- Compression dowels are lightly tapped in with a hammer.
- Slides are labeled with a R (right) and L (left) for proper placement.
- Make sure to always face the point on the top of the Cam Lock towards the outer edge.
- Use all the nails provided for the back panel and spread them out equally.
- Back panel must be used to make sure your unit is sturdy.
- Do NOT use harsh chemicals or abrasive cleaners on this item.
- Never push, pull, or drag your furniture.
- Open your item in the area you plan to keep it to avoid excessive heavy lifting.



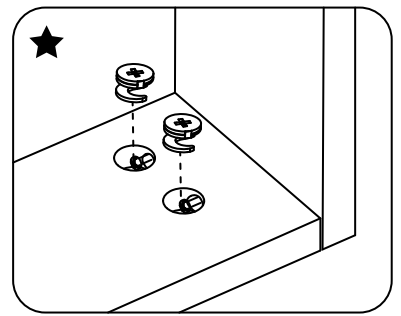
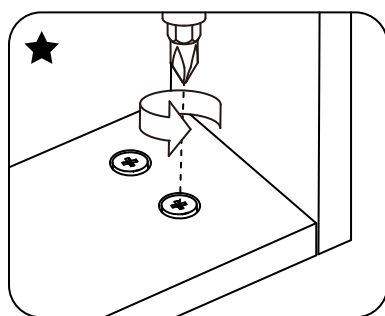
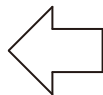
Before You Start

- ✓ — Installation is very difficult, please two people to install
- ✓ — Read through each step carefully and follow the proper order
- ✓ — Separate and count all your parts and hardware
- ✓ — Give yourself enough room for the assembly process
- ✓ — Have the following tools: Hammer
- ✓ — Caution: If using a power drill or power screwdriver for screwing, please be aware to slow down and stop when screw is tight.
Failure to do so may result in stripping the screw.

<p>A</p>  <p>3.5*40mm×94</p>	<p>B</p>  <p>15*11.5mm×94</p>	<p>C</p>  <p>3.5*40 mm×46</p>	<p>D</p>  <p>Drawer rails ×5</p>	
<p>E</p>  <p>×1</p>	<p>F</p>  <p>4 * 18mm ×4</p>	<p>G1</p>  <p>F2:3.5*14 mm ×26</p>	<p>G2</p>  <p>F2:3.5*40 mm ×10</p>	<p>H</p>  <p>×2</p>
<p>I</p>  <p>×2</p>	<p>J</p>  <p>×2</p>			



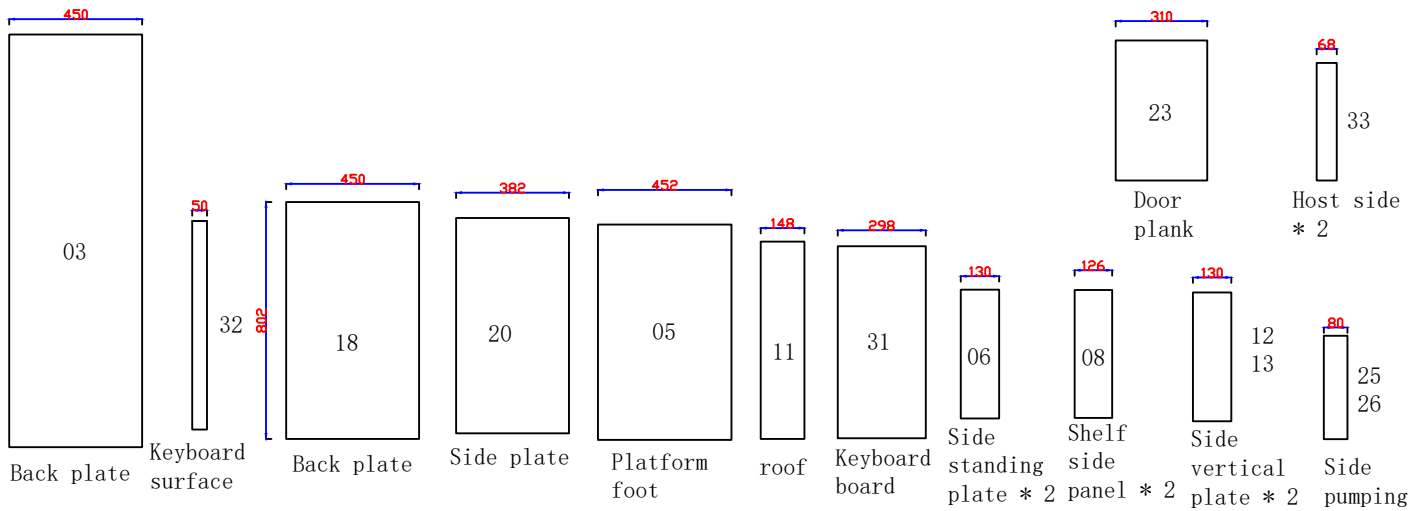
Parts assembly diagram



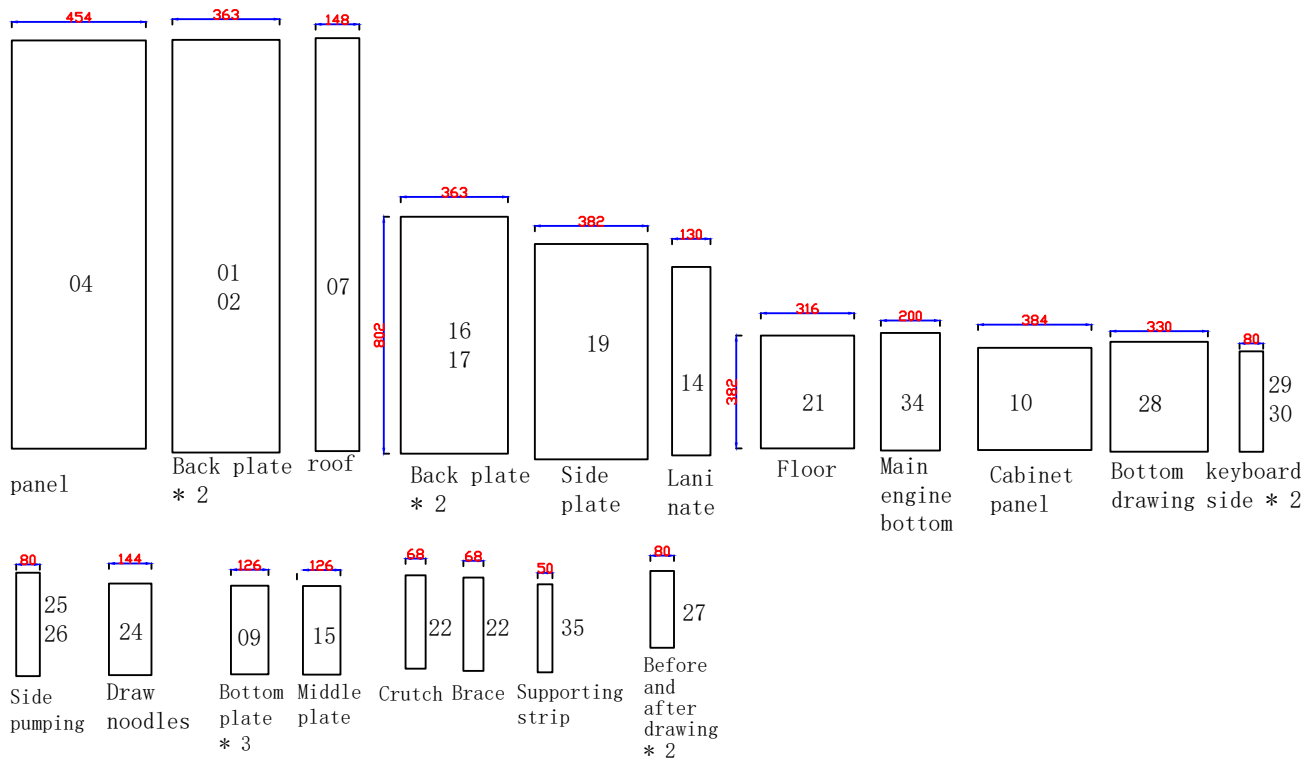
★ All asterisks follow the installation process above

Plate splitting diagram

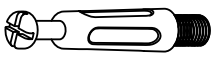

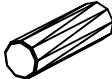



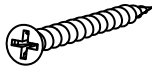
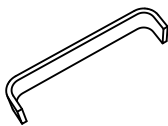
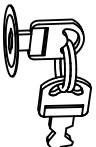
(package a) plate

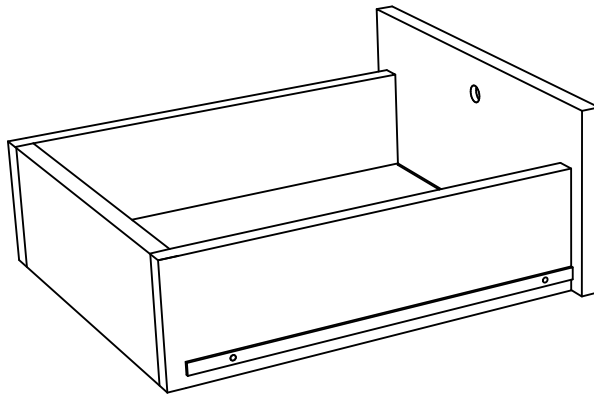


(package b) plate

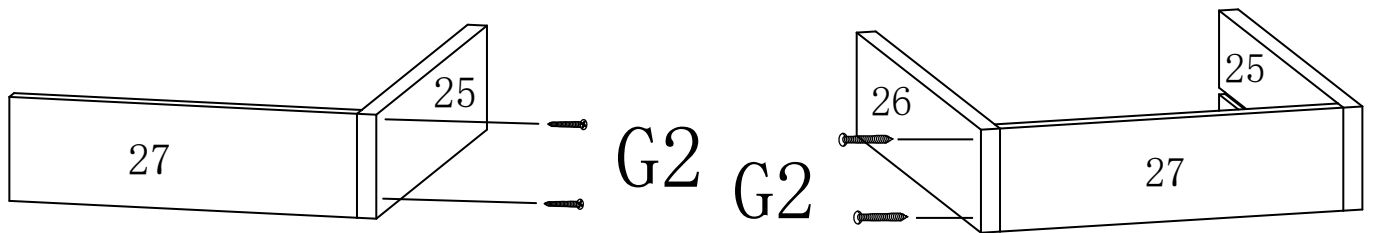


installation drawing 1

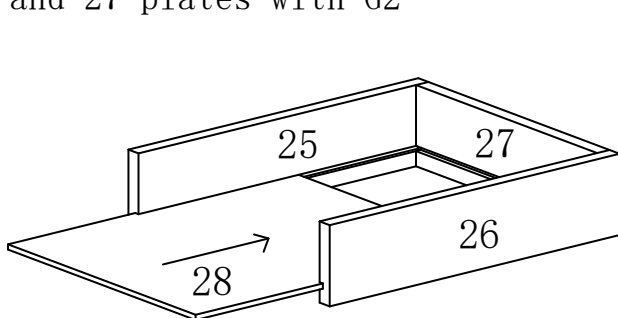
<p>A</p>  <p>3.5*40mm ×4</p>	<p>B</p>  <p>15*11.5mm ×4</p>	<p>C</p>  <p>×2</p>	<p>D</p>  <p>D2 ×2</p>
<p>F</p>  <p>4*18mm ×2</p>	<p>G1</p>  <p>G1:3.5*14*4</p>	<p>G2</p>  <p>F2:3.5*40mm ×8</p>	<p>H</p>  <p>×1</p>
<p>J</p>  <p>×1</p>			



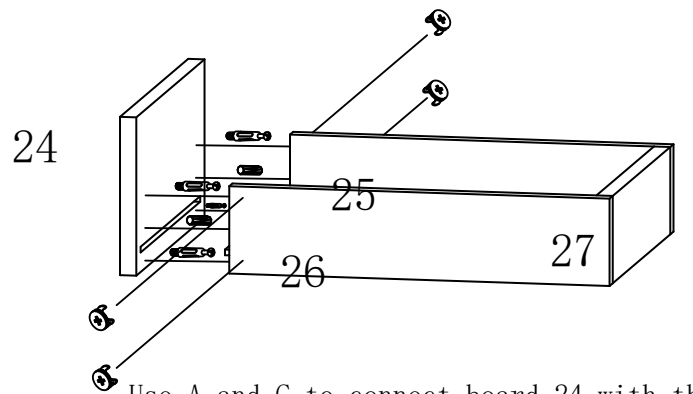
First install the drawer .



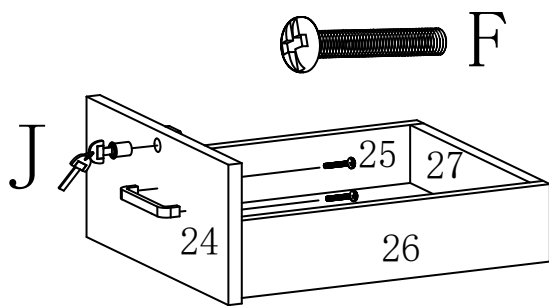
Connect and fix the 25 and 27 plates with G2



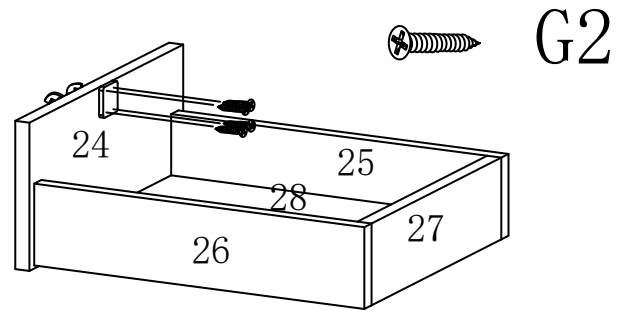
Push plate 28 into the slot of plate 25 and plate 26



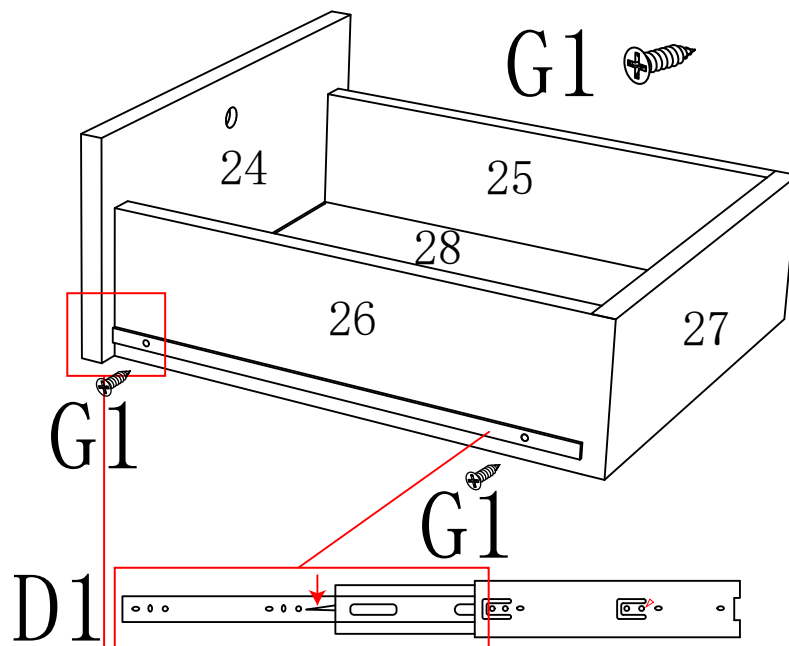
Use A and C to connect board 24 with the board installed in the previous step
Use B to lock A and fix it



Fix H to plate 24 with F
Put J into the hole of plate 21

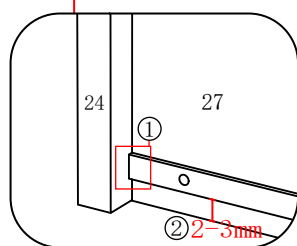


Fix J with G1



Front section of part D

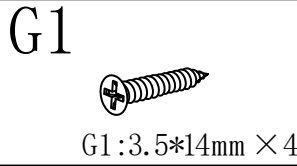
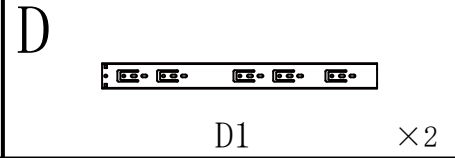
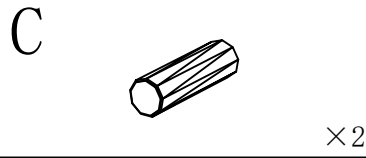
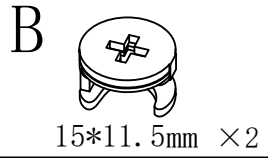
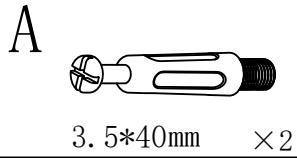
Precautions: When installing the drawer slide, need to split the slide rail into two parts, D1 and D2. Look at the arrow direction and press down to pull out the slide rail



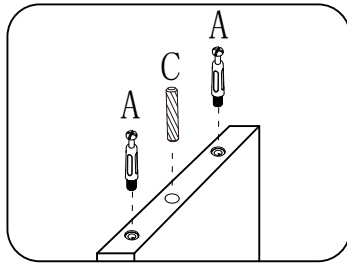
① Please fit the slide rail to the 24 board, and don't leave gaps.

② When installing the slide rail, reserve a distance of 2-3mm from the bottom of the 26, 27 board.

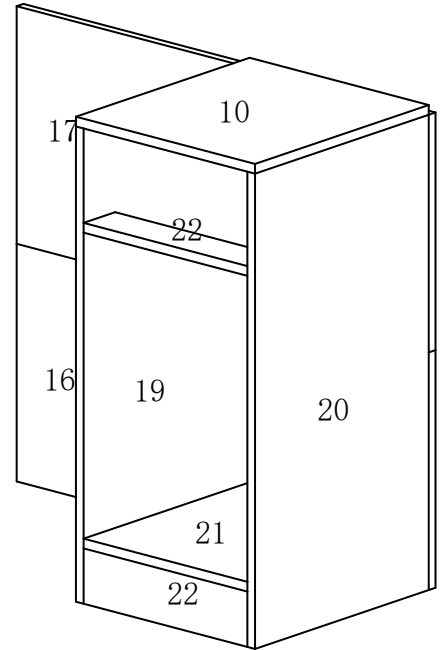
installation drawing 3



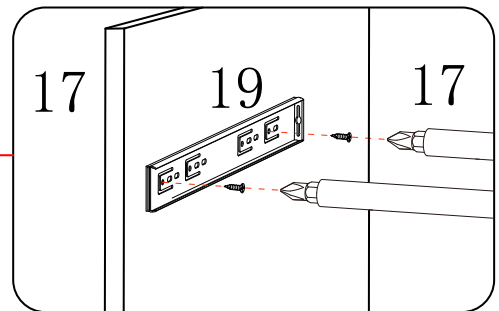
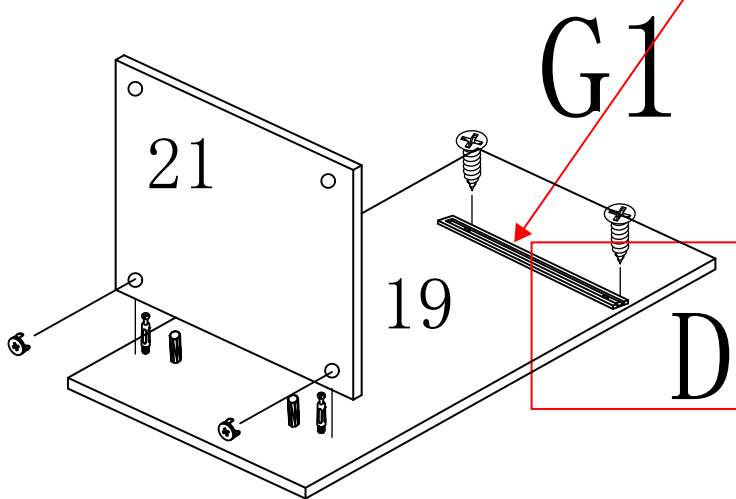
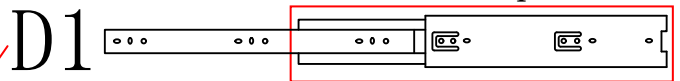
Second install the cabinet.



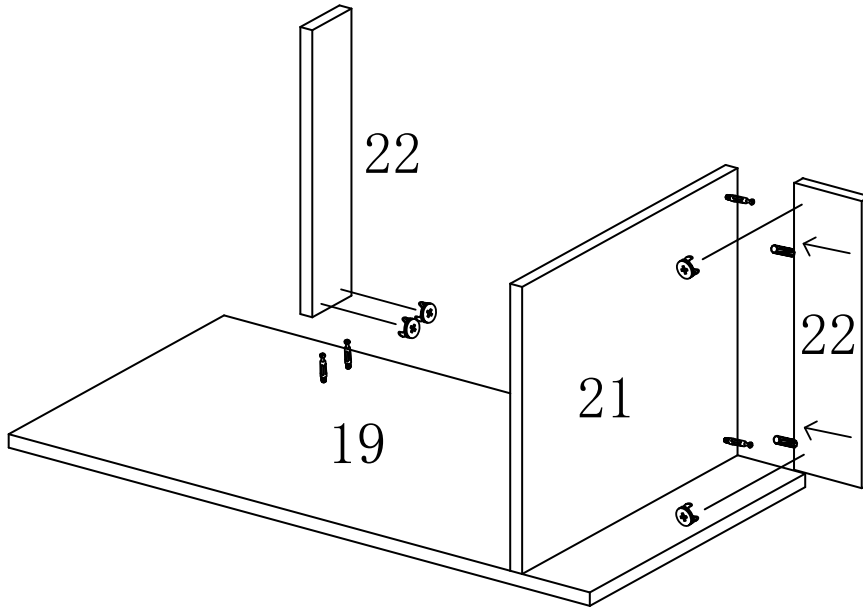
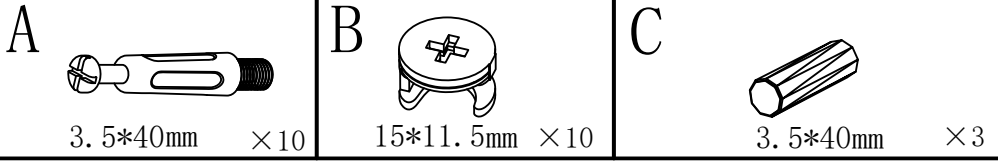
If the holes are embedded, use screws A.
If the hole is empty, use a wooden peg C.



Back section of part D

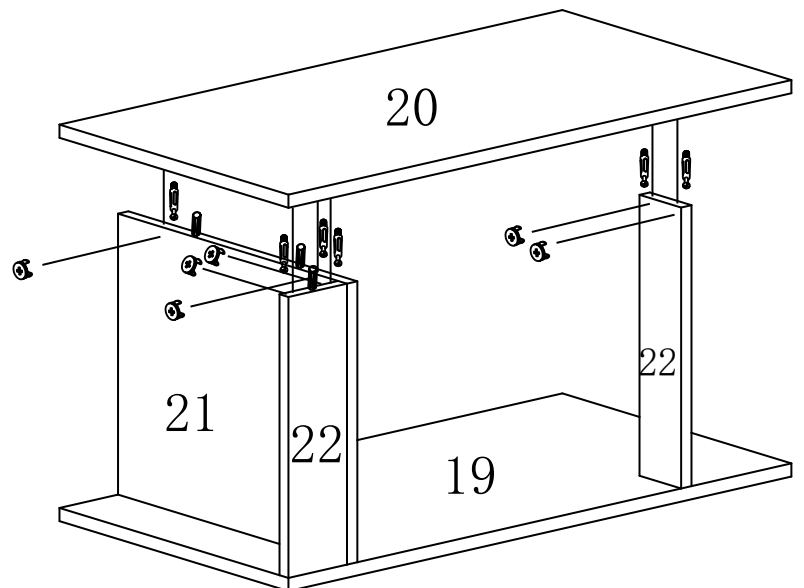


installation drawing 4

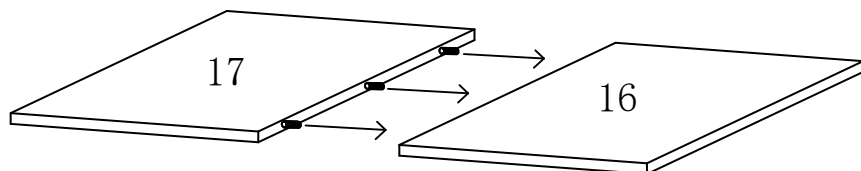
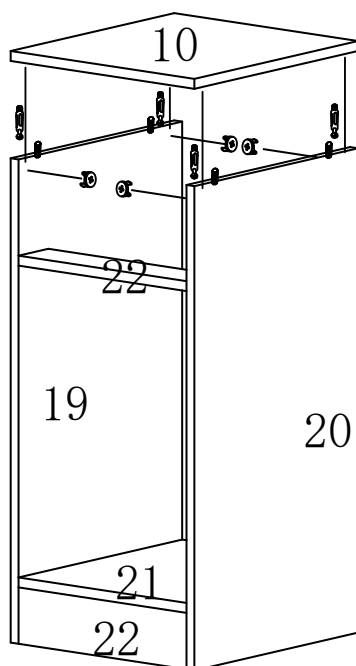
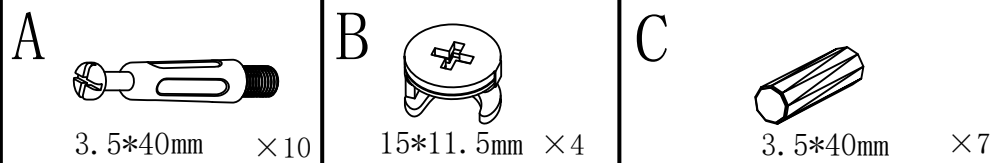


Fix two 22 boards on 19 board with A and C respectively, and then lock them with B

Use A and C as shown in the figure to connect the No. 20 plate with the part installed in the previous step, and then use B to lock and fix A

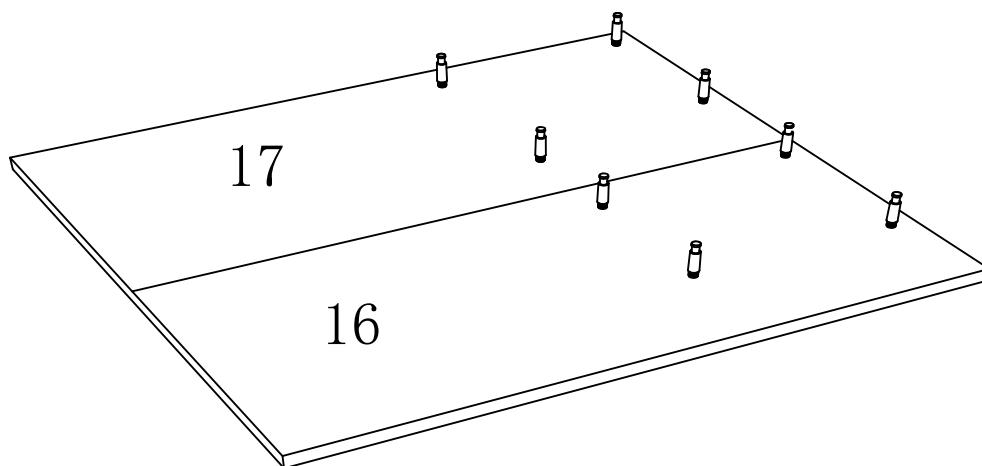


installation drawing 5



Use A and C to connect the No. 10 board with the part connected in the previous step, and then use B to lock and fix A

Connect the 16 board and 17 board with C

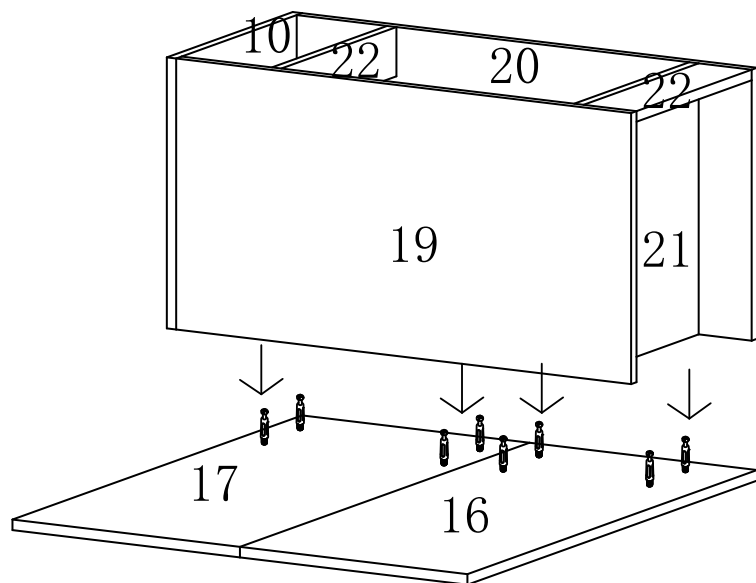


Screw A into the corresponding hole of 16,17 plate

B

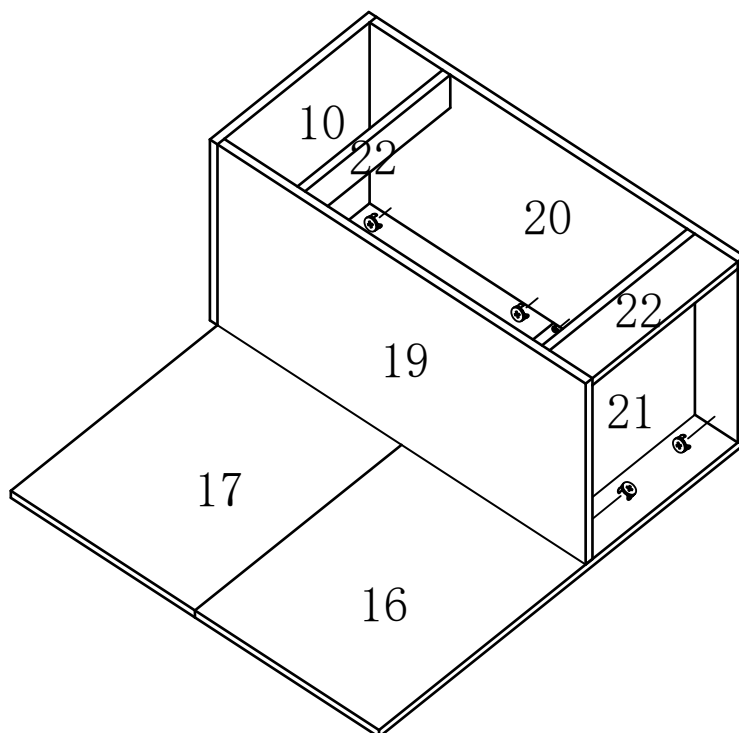


15*11.5mm ×8

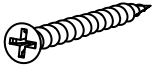


Align the installed cabinet with A and place it on board 16,17

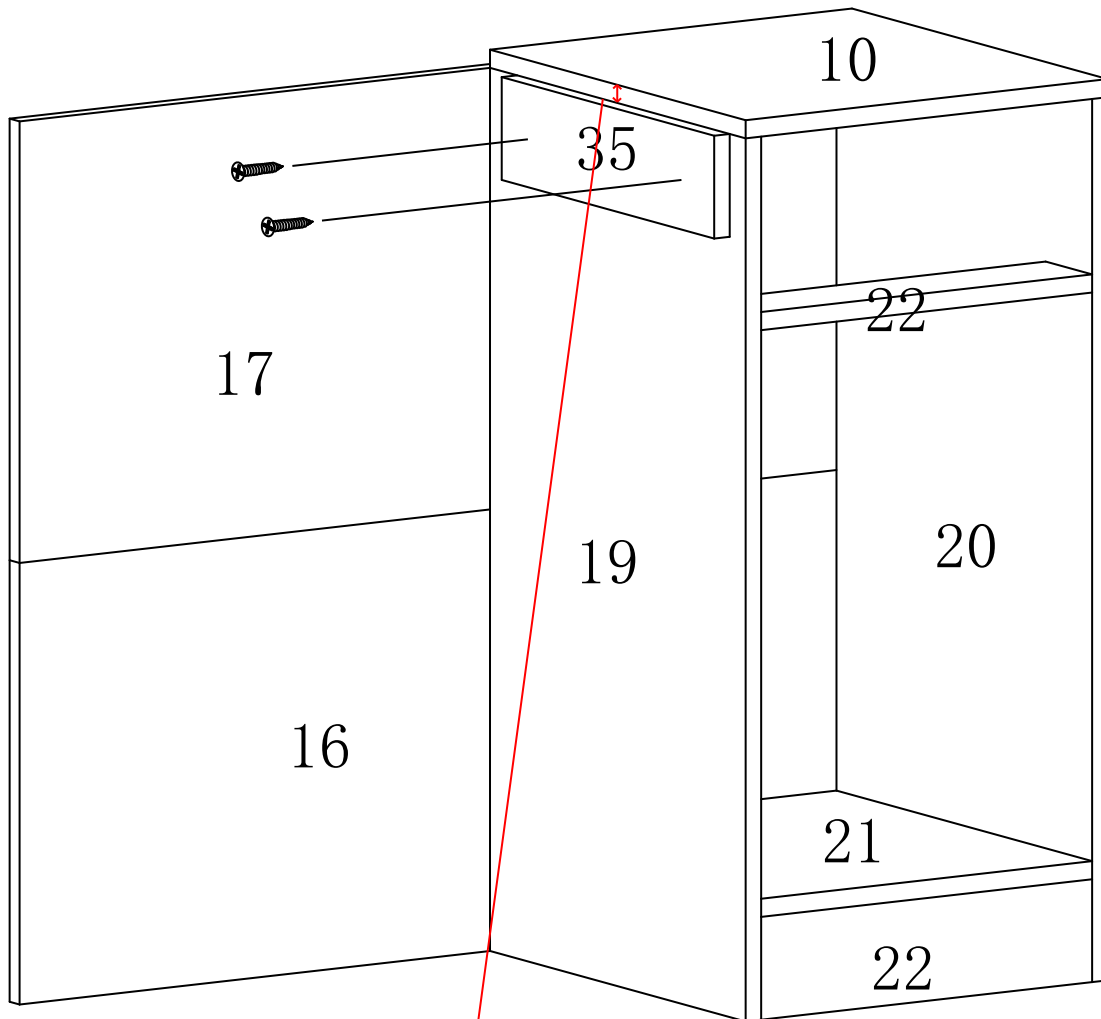
Lock them in with B



G2



F2:3.5*40mm ×2



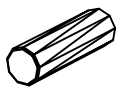
Attention:

The distance here is exactly the thickness of a plate

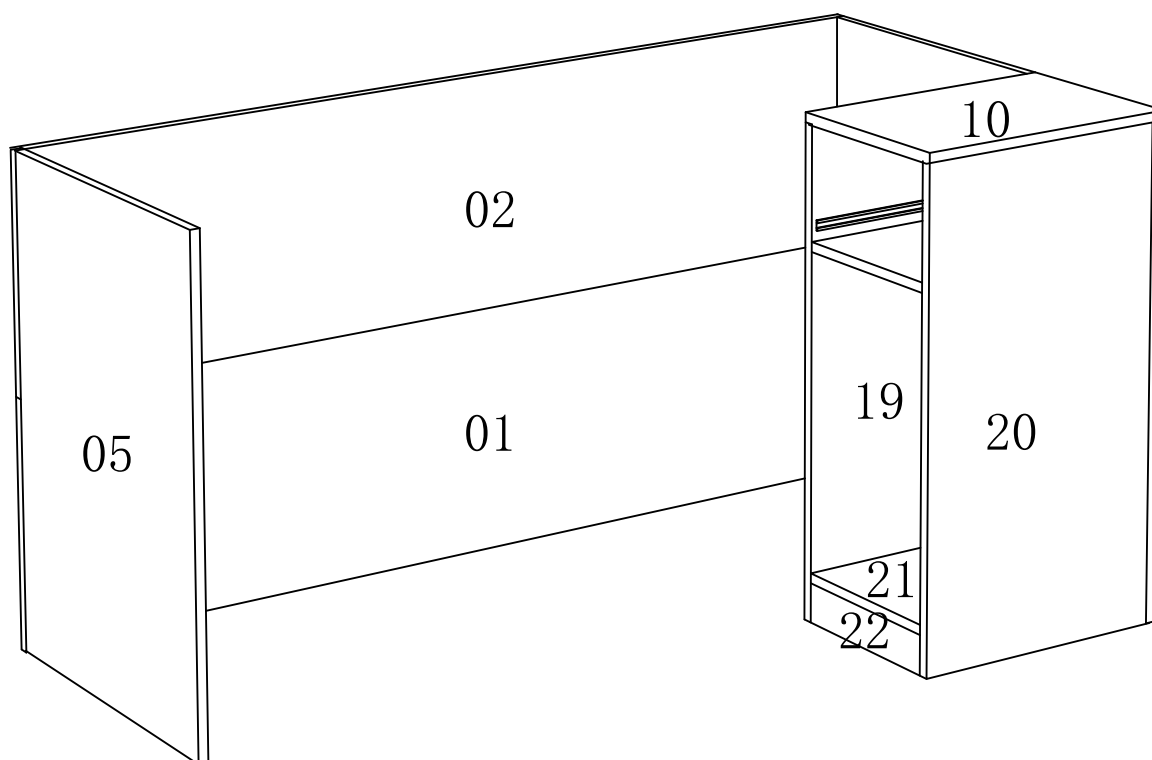
Fix the 35 plate on the 19 plate side with G2

installation drawing 8

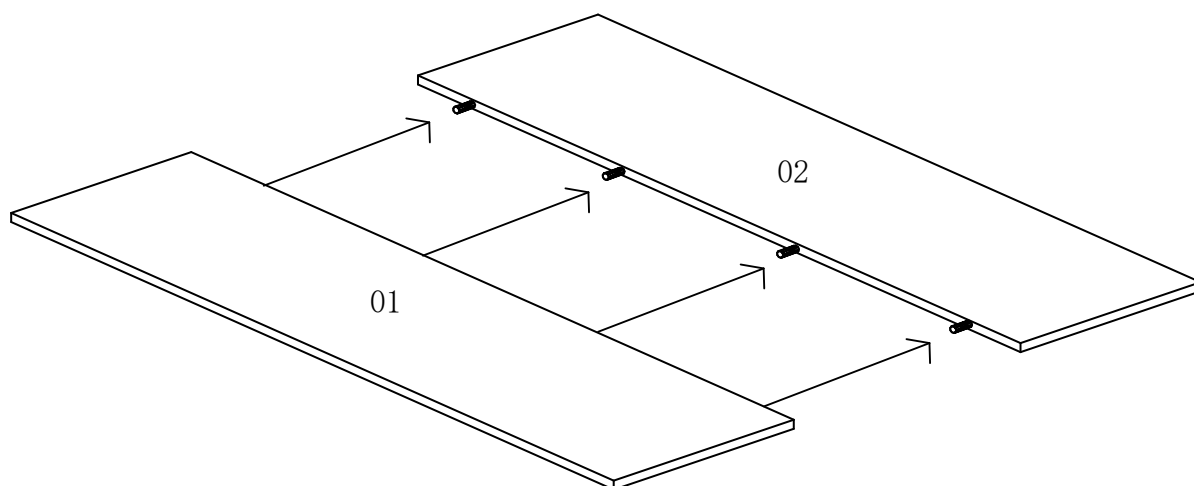
C



3.5*40mm ×4

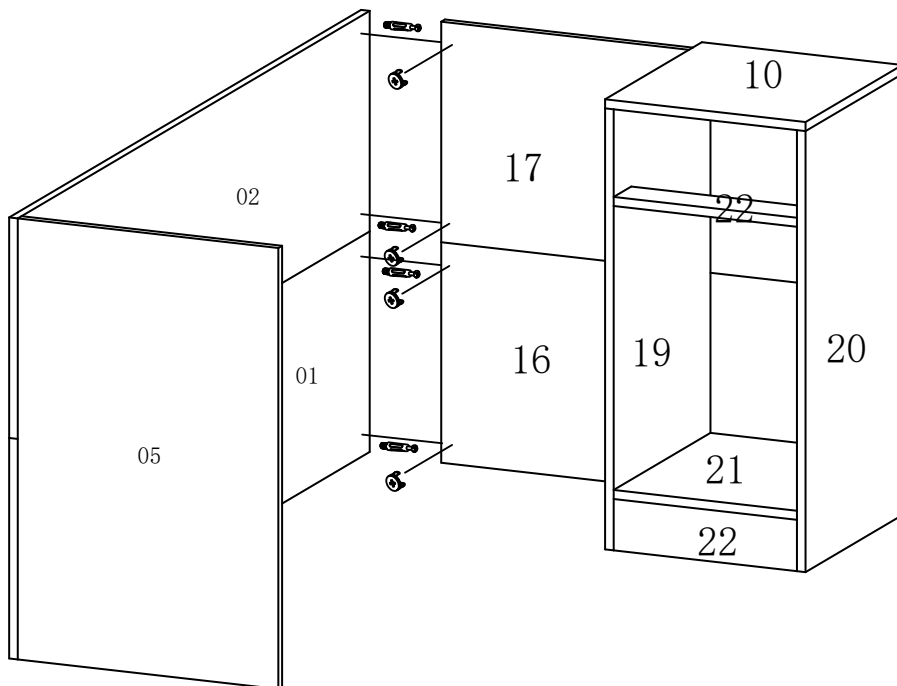
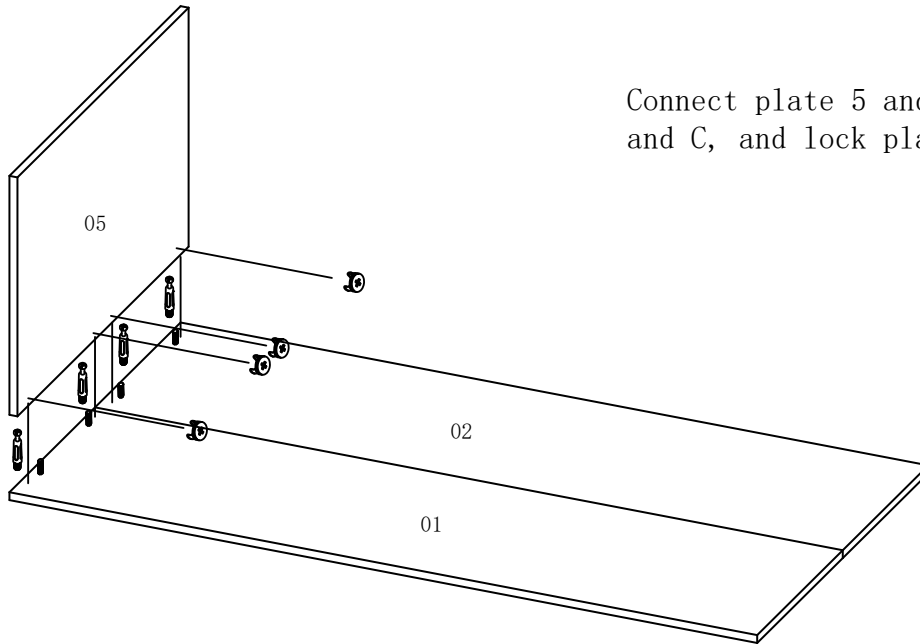
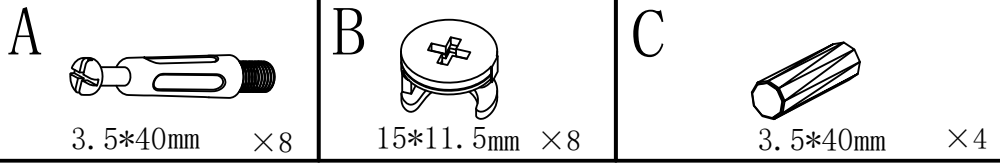


Third, complete the assembly of the lower part of the cabinet



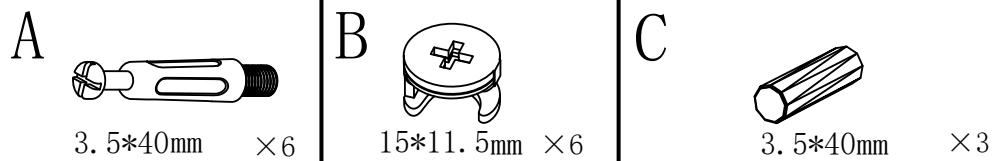
Connect the two No. 1 and 2 boards with C

installation drawing 9

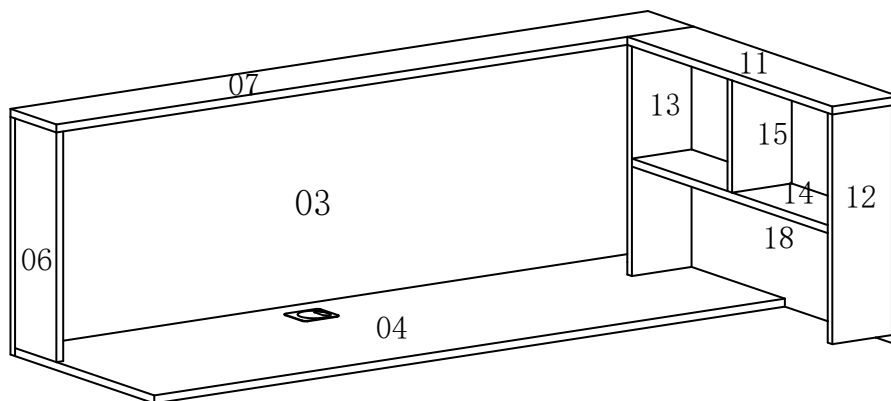


Use A to connect No. 1, 2 board and No. 16, 17 board, and then use B to lock A for fixation

installation drawing 20

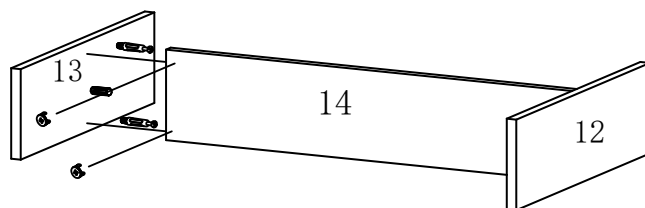
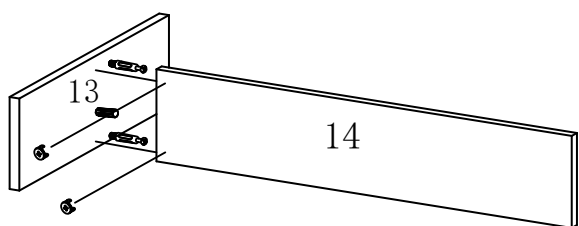


Fourth, complete the assembly of the upper part of the cabinet

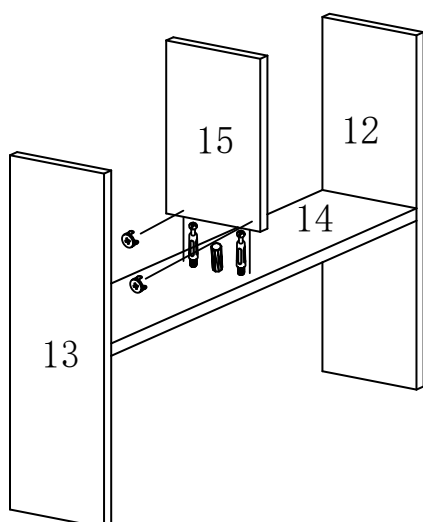


Attention:

When installing the cabinet of the upper part, it must be installed according to the steps in the manual, otherwise it cannot be installed

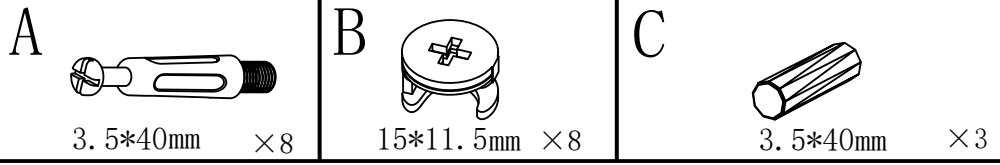


Connect plate 12, 13 and plate 14 with A and C, and lock plate A with B

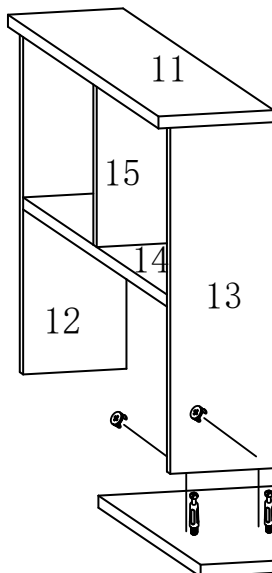
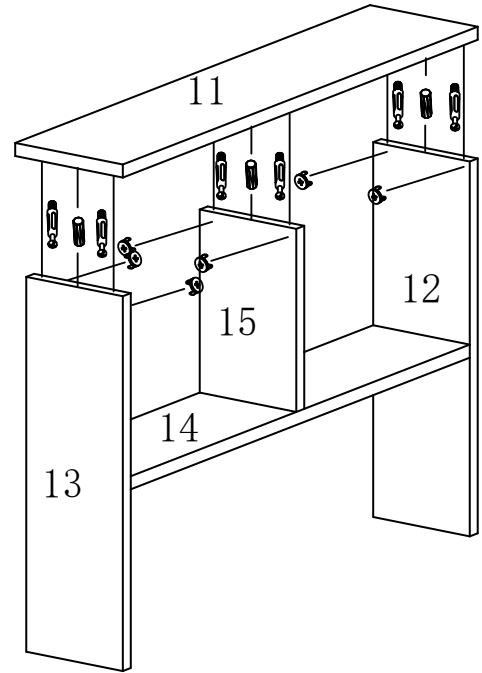


Connect plate 15 and plate 14 with A and C, and lock plate A with B

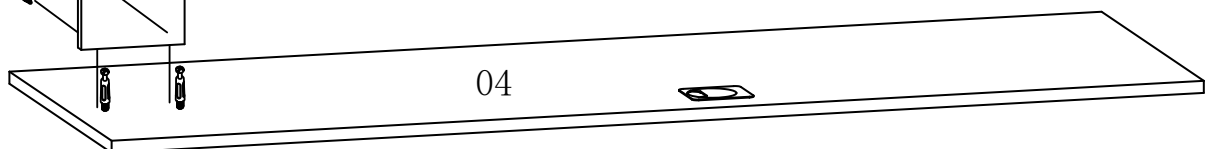
installation drawing 11



Use A and C to connect the No. 11 plate with the part installed in the previous step, and then use B to lock A and fix it



Use A to connect the shelf to plate 4
Then lock A with B



installation drawing 12

A

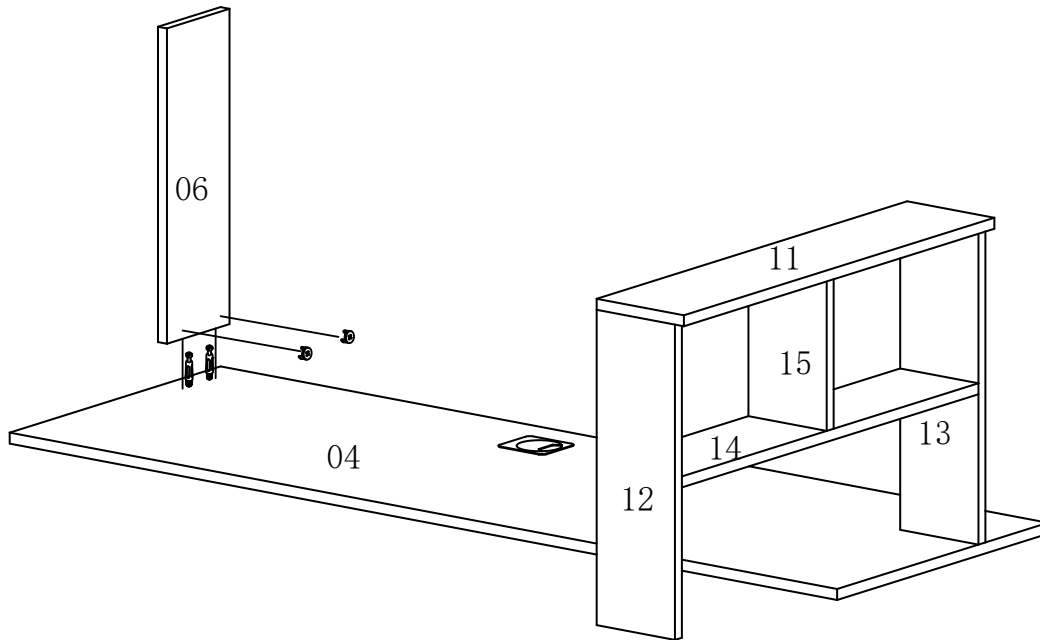


3.5*40mm ×6

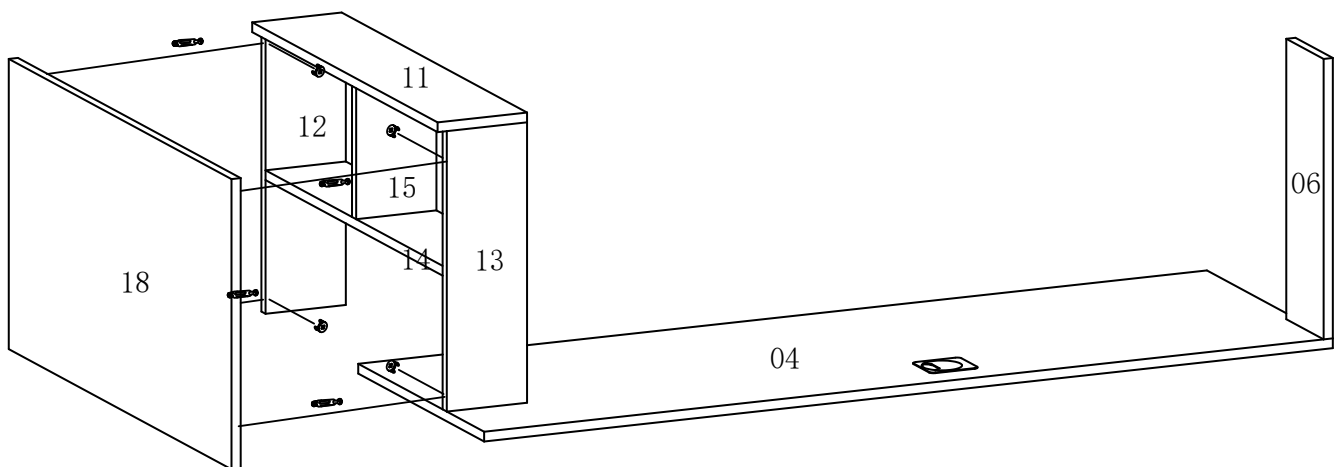
B



15*11.5mm ×6

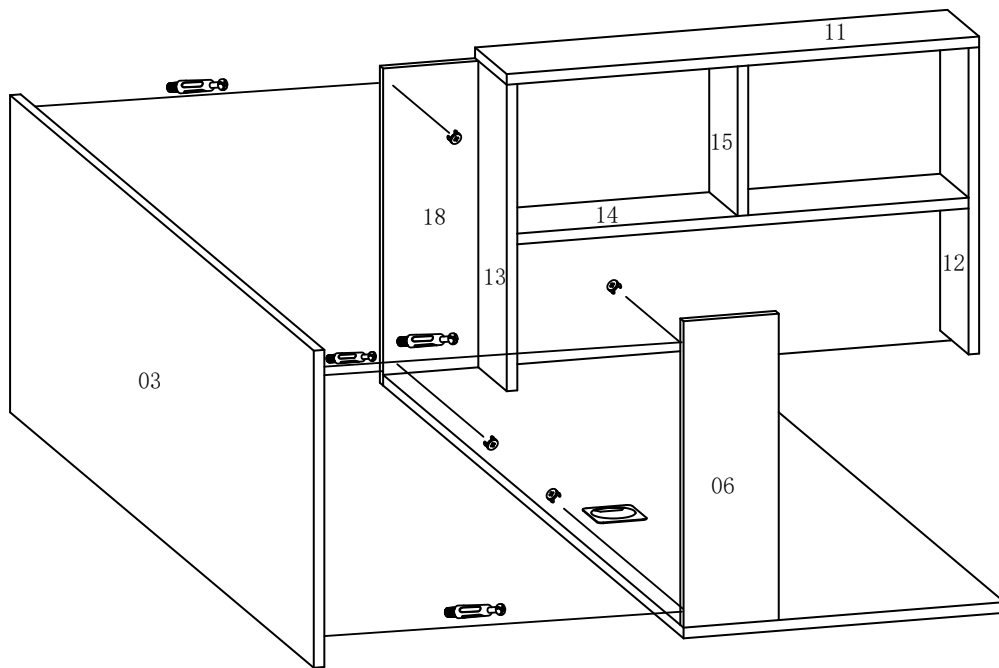
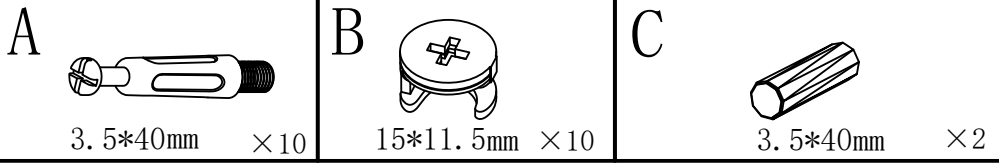


Use A to connect No. 6 board and No. 4 board, and then use B to lock and fix A

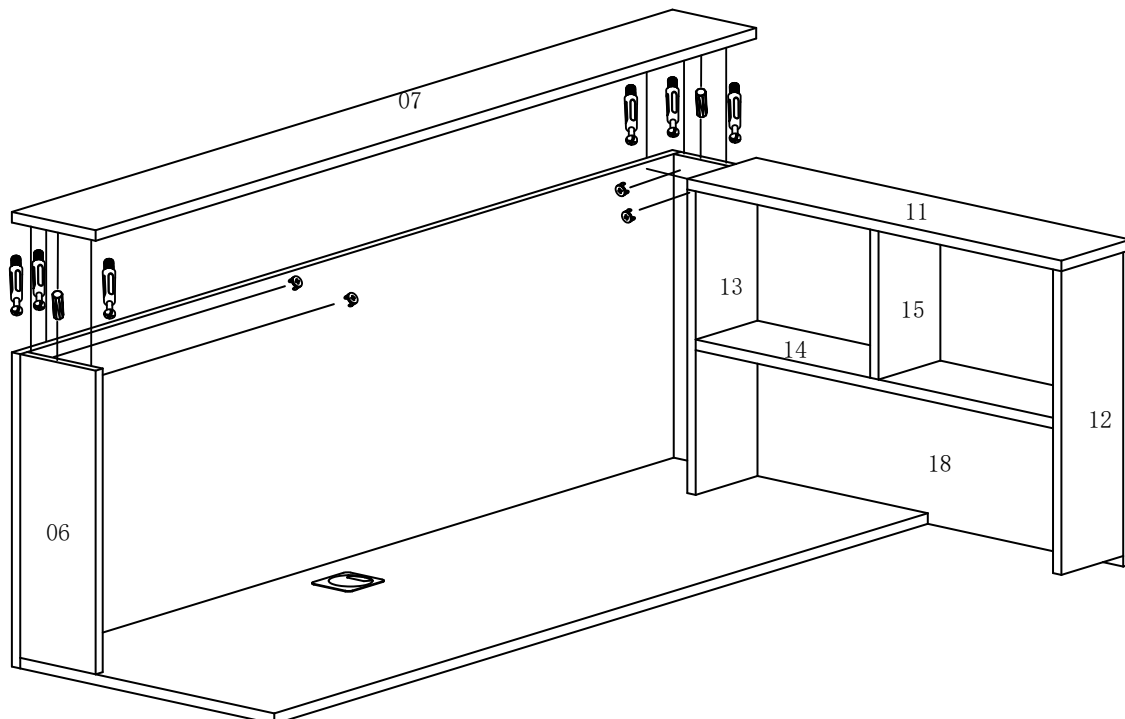


Use A to connect plate 18 with the part installed in the previous step, and then use B to lock plate A

installation drawing 13

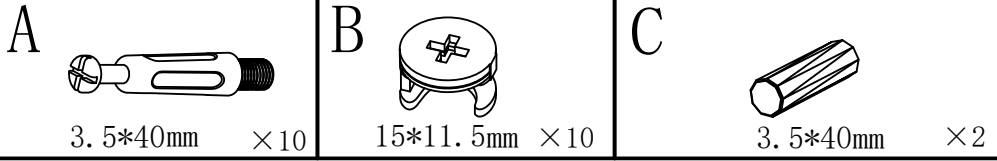


Use A to connect the No. 3 plate with the part installed in the previous step, and then use B to lock A and fix it

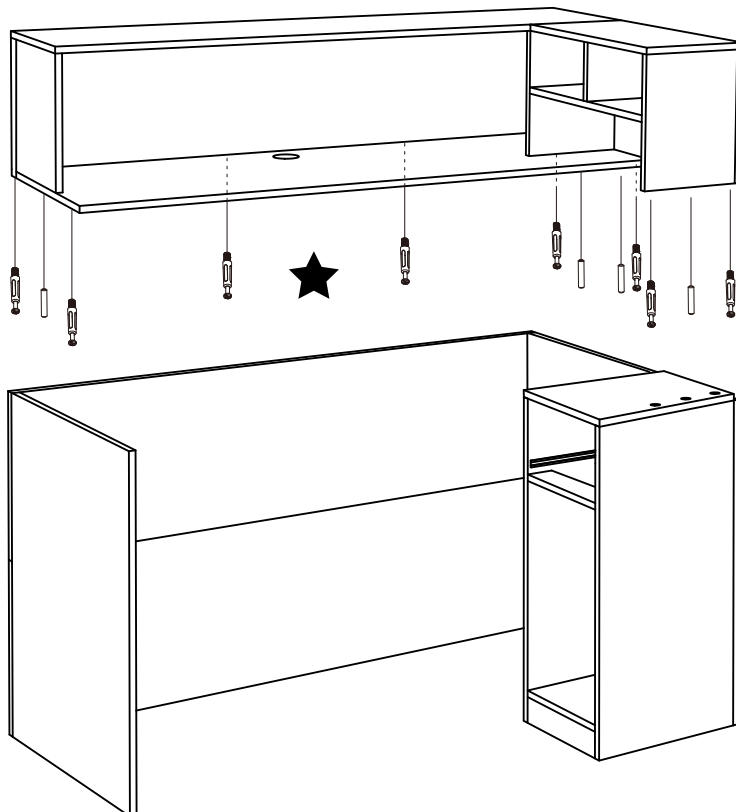
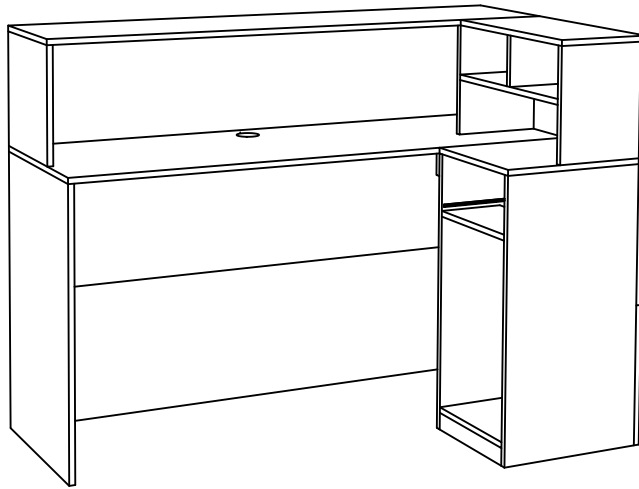


Use A and C to connect the No. 7 board with the part installed in the previous step, and then use B to lock A and fix it

installation drawing 14



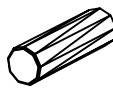





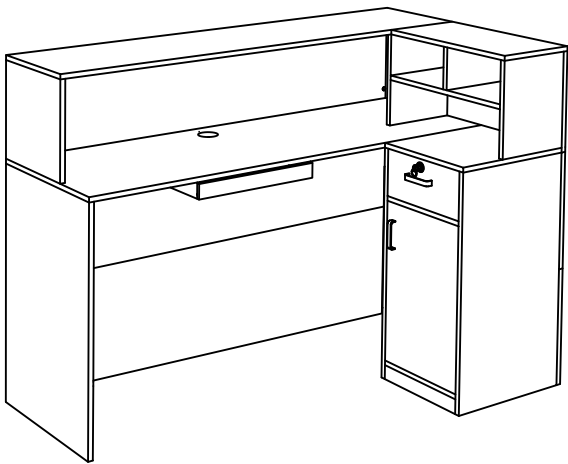
Fifth, put the upper and lower parts of the cabinet together



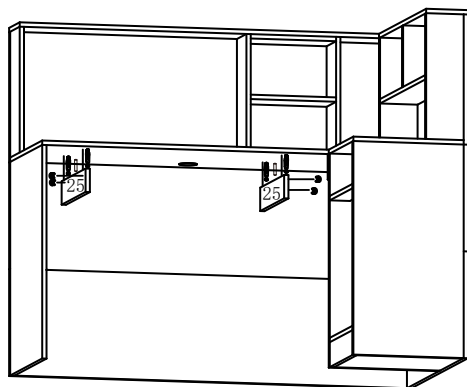
Connect the upper part and the lower part with A and C, and lock A with B

installation drawing 15

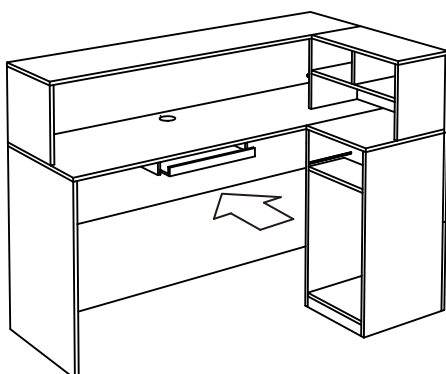
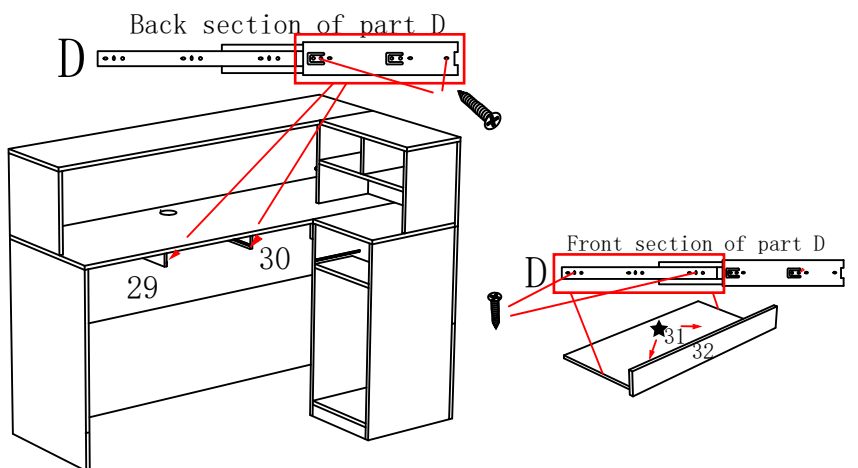
<p>A</p>  <p>3.5*40mm ×4</p>	<p>B</p>  <p>15*11.5mm ×4</p>	<p>C</p>  <p>3.5*40mm ×2</p>	<p>D</p>  <p>×2</p>
<p>F</p>  <p>4*18mm ×2</p>	<p>G1</p>  <p>G1:3.5*14*14</p>		



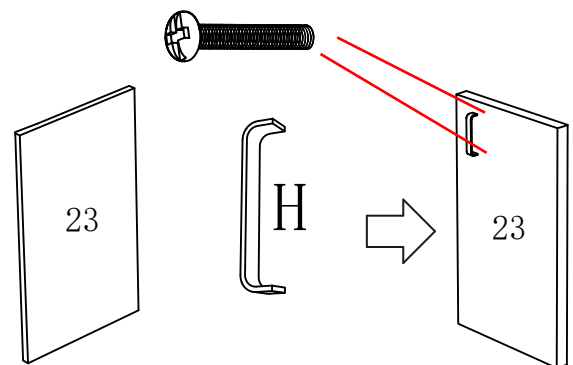
Sixth, assemble the remaining parts to complete the installation



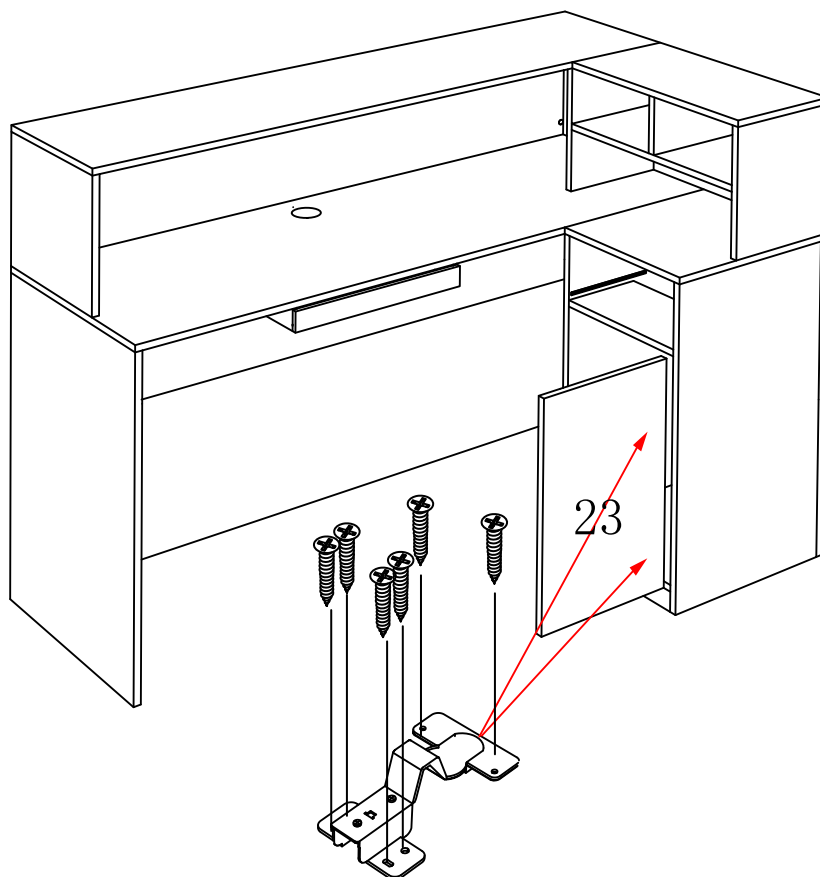
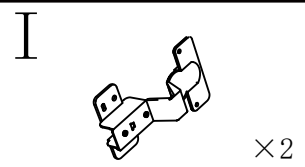
Use A and C to connect board 29, 30 and board 4, and then use B to lock board A.



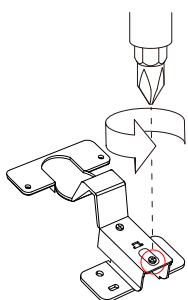
Put the drawer in



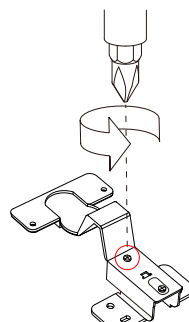
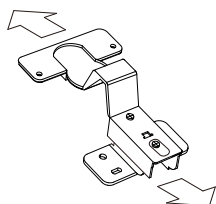
Fix H in front of 23 plate with F1



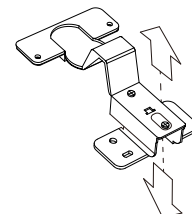
Fix I on the inside of No. 23 plate with G1



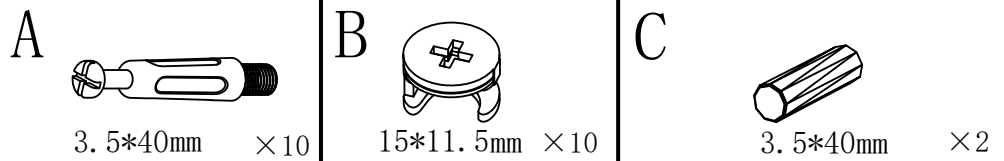
The hinge can be loosened with a screwdriver to control the gap of the door



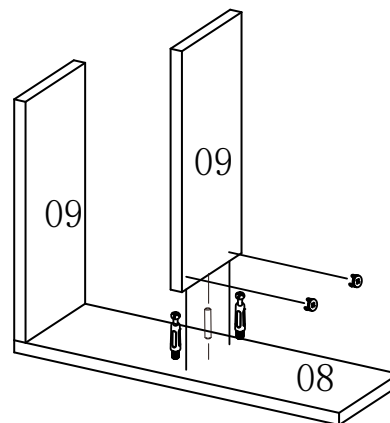
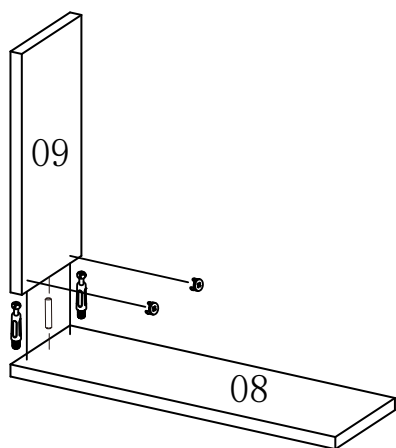
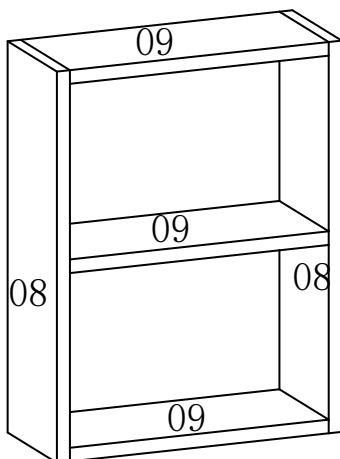
The hinge can be loosened with a screwdriver to control the distance between the door and the side plank



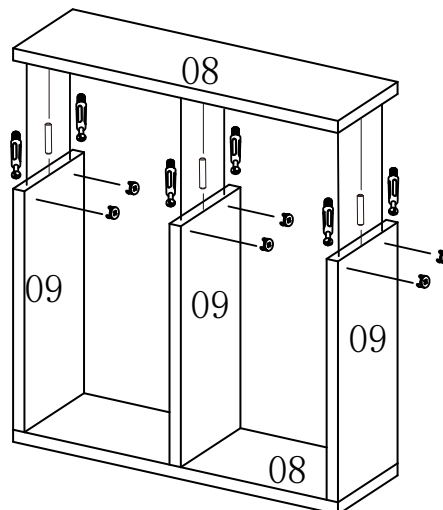
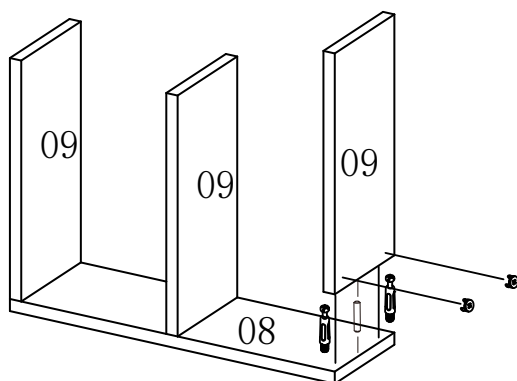
installation drawing 17



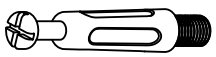




Seventh, combine the freely moving shelves



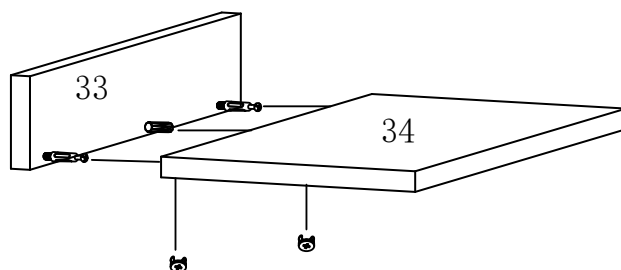
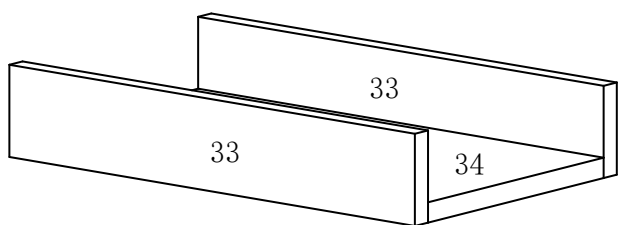
Connect plate 9 and plate 8 with A and C, and lock plate A with B



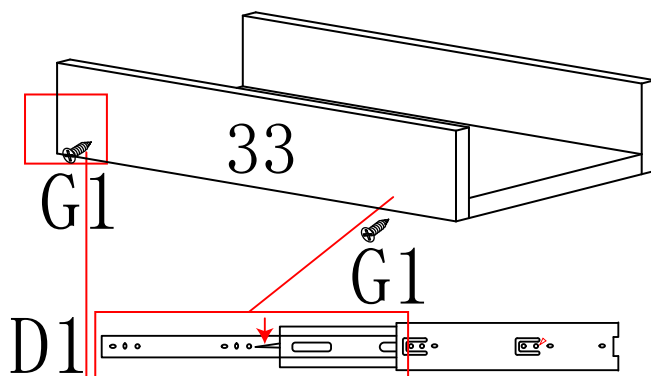
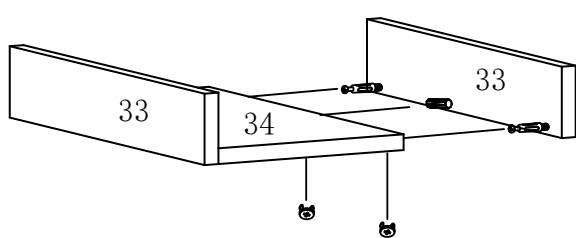
installation drawing 18

<p>A</p>  <p>3.5*40mm ×4</p>	<p>B</p>  <p>15*11.5mm ×4</p>	<p>C</p>  <p>×2</p>	<p>D</p>  <p>D1 ×1</p>
<p>G1</p>  <p>G1:3.5*14mm ×4</p>			

Install the main cabinet

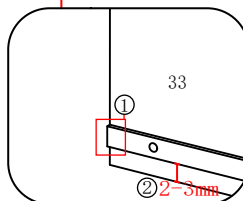


Connect plate 33 and plate 34 with A and C, and then lock plate A with B

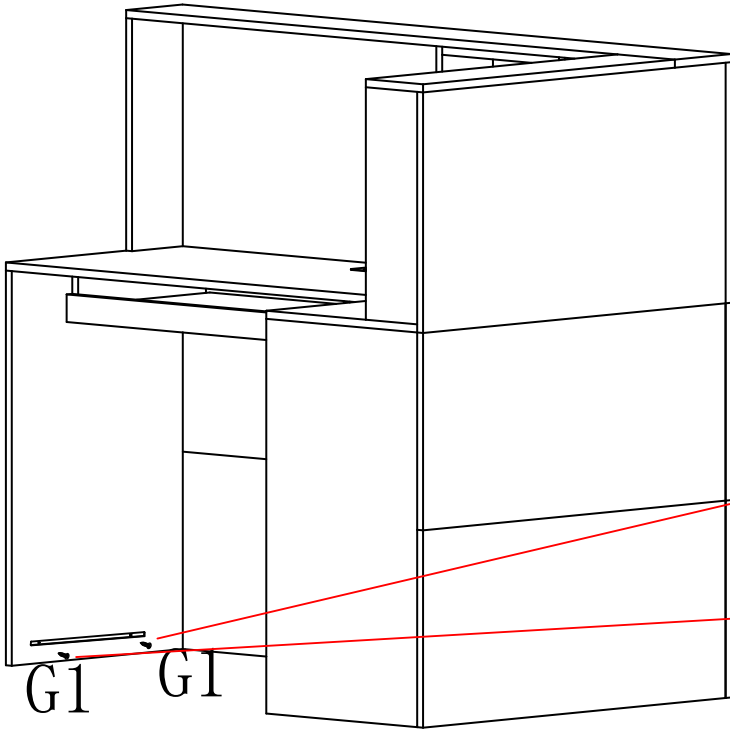


Front section of part D

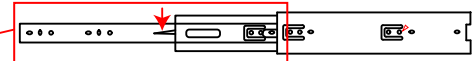
Precautions: When installing the drawer slide, Need to split the slide rail into two parts, D1 and D2. Look at the arrow direction and press down to pull out the slide rail



① When installing the slide rail, reserve a distance of 2-3mm from the bottom of the 33 board.

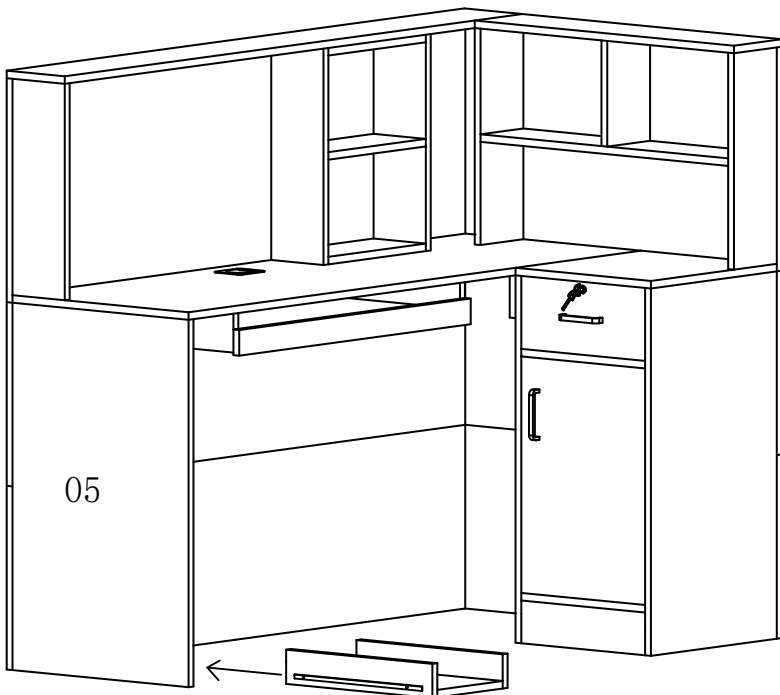


D1

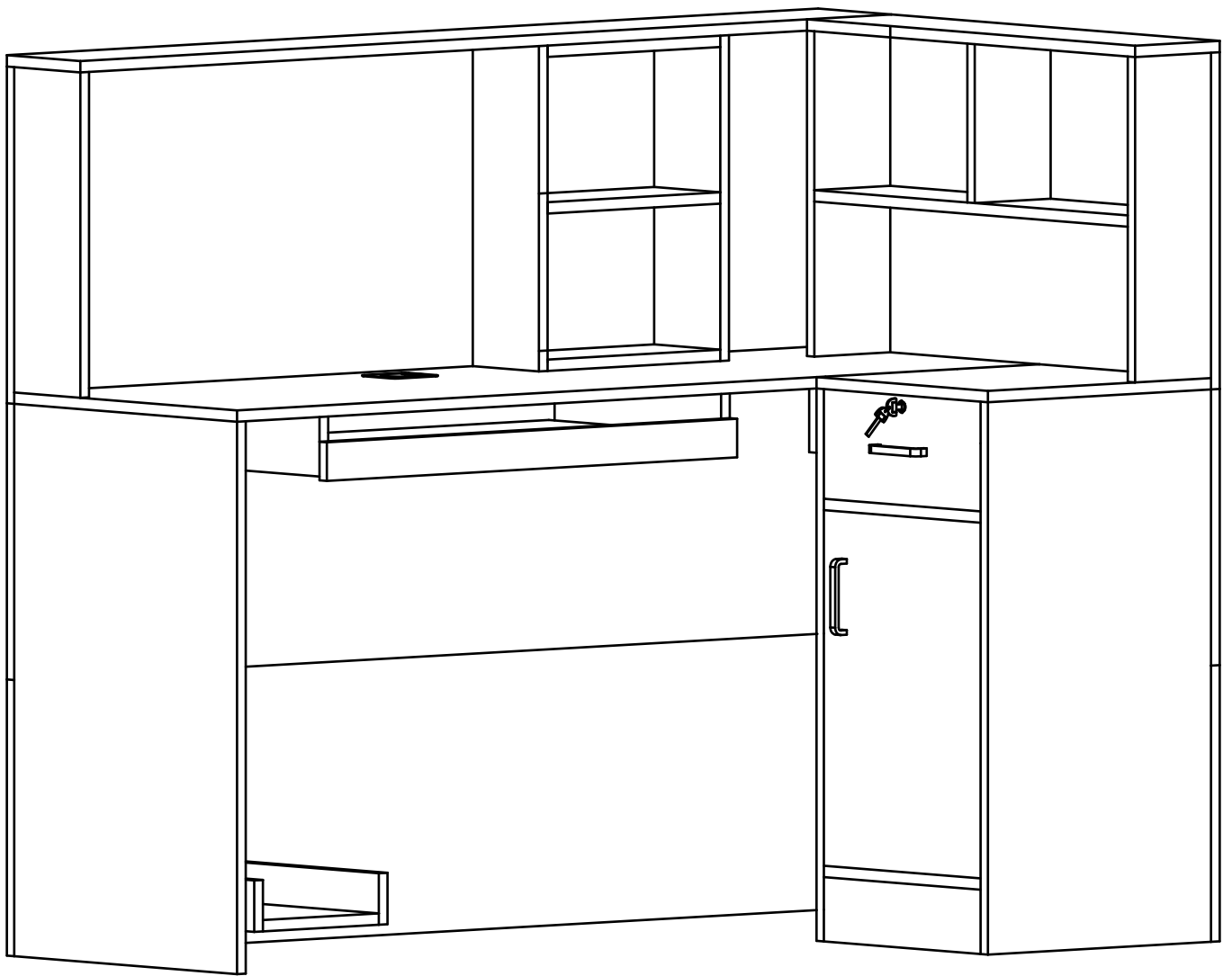


Front section of part D

Precautions: When installing the drawer slide, Need to split the slide rail into two parts, D1 and D2. Look at the arrow direction and press down to pull out the slide rail



Align the main cabinet with the slide rail of No. 05 board and push it forward



installation is complete



If you have any questions about the product, please do not hesitate to contact customer service.

5 Star Rating



Visit your local retailer's website, rate your purchased product and leave us some feedback!