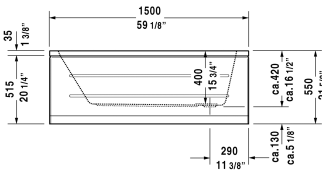
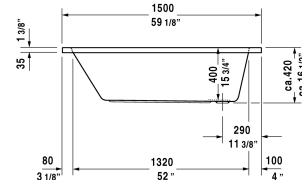
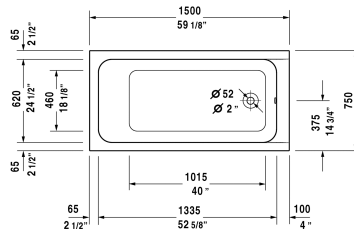


**Bathtub # 700095000000090 / 700095000000092 /  
700095000000093 / 700095000000094 / 710095001001090 /  
710095002001090 / 710095002501090 / 710095002511090**

| < 59" Inch > |

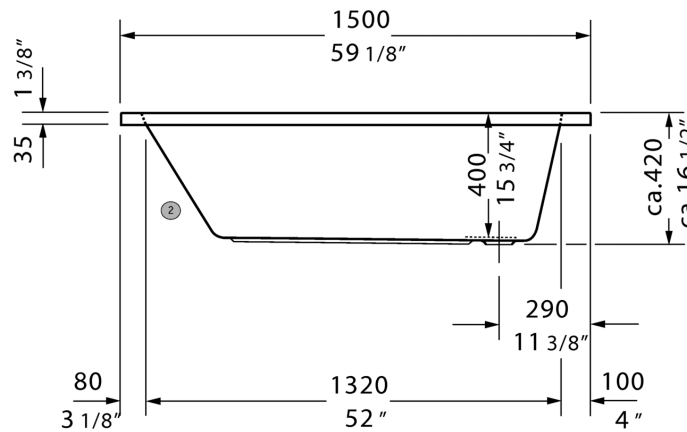
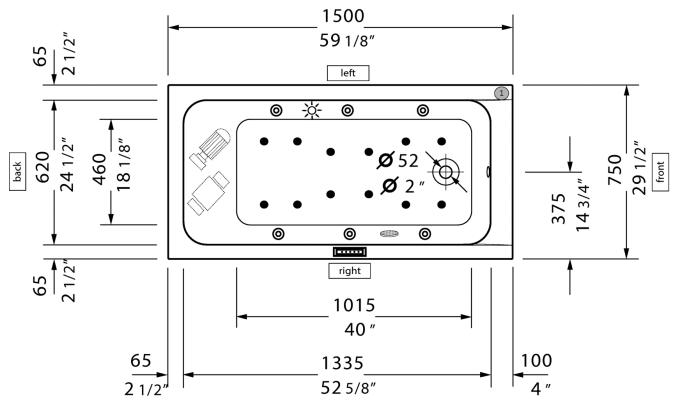
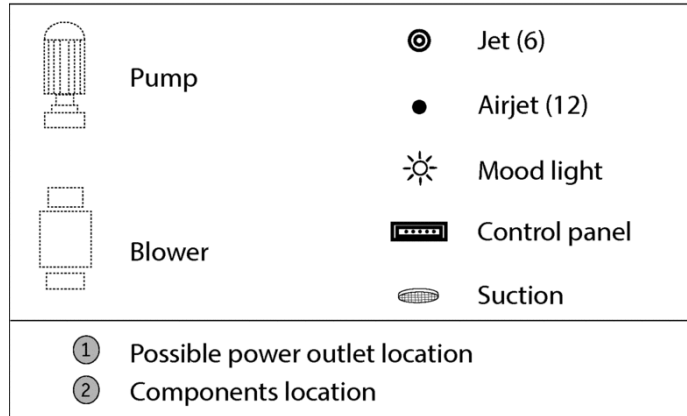


Bathtub	Dimension	Weight	Order number
rectangle, built-in, with one backrest slope, outlet in foot area, cUPC listed, 1/4" sanitary acrylic			
<b>Colors</b>			
00 White			
<b>Variant</b>			
Base tub	59" x 29 1/2" Inch	38.5 lb	700095000000090
Base tub	59" x 29 1/2" Inch	38.5 lb	700095000000092
Base tub	59" x 29 1/2" Inch	38.5 lb	700095000000093
Base tub	59" x 29 1/2" Inch	38.5 lb	700095000000094
Air-System	59" x 29 1/2" Inch	38.5 lb	710095001001090
Jet-System	59" x 29 1/2" Inch	38.5 lb	710095002001090
Jet-System with heater	59" x 29 1/2" Inch	38.5 lb	710095002501090
Jet-System with heater and ozone	59" x 29 1/2" Inch	38.5 lb	710095002511090
<b>Accessory for bath- and whirltub</b>			
Bathtub anchors for mounting and support of D-Code bathtubs and shower trays, 3 pieces			790125
Tile flange			790112
Support frame (included)			790133
Cable-driven waste and overflow			790220

All drawings contain the necessary measurements which are subject to standard tolerances. They are stated in inch & mm and are non-binding. Exact measurements, in particular for customized installation scenarios, can only be taken from the finished ceramic piece.

**Bathtub #** 700095000000090 / 700095000000092 /  
 700095000000093 / 700095000000094 / 710095001001090 /  
 710095002001090 / 710095002501090 / 710095002511090

| < 59" Inch > |



**Bathtub #** 700095000000090 / 700095000000092 /  
700095000000093 / 700095000000094 / 710095001001090 /  
710095002001090 / 710095002501090 / 710095002511090

---

|< 59" Inch >|

## Additional information

<b>Construction</b>		
3/8" (5mm) cast acrylic shell, thick fiber glass reinforcement, 1 year limited warranty		
<b>Electrical specifications:</b>		
Required electrical service:	110 Volts	
Air-Systems / Jet-Systems:	1 - 20 amp GFCI protected	
Combi-Systems / Combi-Systems with light:	2 - 20 amp GFCI protected	