

ASSEMBLY INSTRUCTION

Thank you for purchasing this quality product. Be sure to check all packing material carefully for small parts which may have come loose inside the carton during shipment. Separate, identify and count all parts and hardware. Compare with the parts list to be sure all parts are present.

IMPORTANT : PLEASE READ INSTRUCTION BEFORE STARTING THE ASSEMBLY.

"DO NOT TIGHTEN SCREWS UNTIL COMPLETELY ASSEMBLED"

"DO NOT OVERTIGHT ANY HARDWARE"

WARNING : SMALL PARTS AND HARDWARE NOT FOR CHILDREN UNDER 3 YEARS. ADULT ASSEMBLY REQUIRED.

TABLE OF CONTENTS

HARDWARES LIST

PAGE 2 - 3

PARTS LIST

PAGE 3 - 4

PARTS' LOCATION

PAGE 5

ASSEMBLY STEPS

PAGE 6 - 18

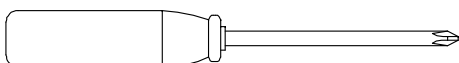
ASSEMBLY COMPLETED

PAGE 18

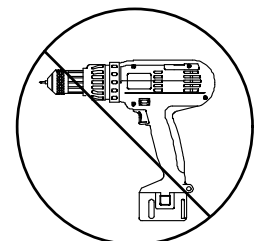
ASSEMBLY TOOLS REQUIRED

Skip the power drill this time.

1. Screwdriver (not provide)




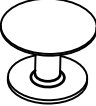
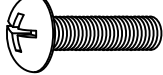
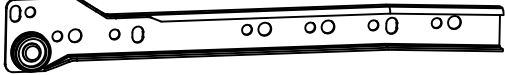
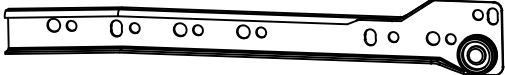

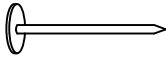


2. Hammer (not provide)




ASSEMBLY INSTRUCTION

HARDWARES LIST

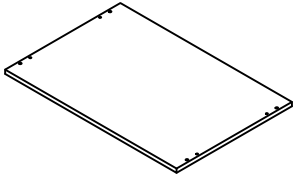
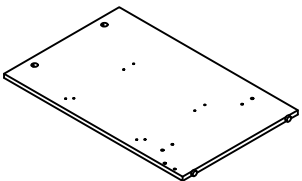
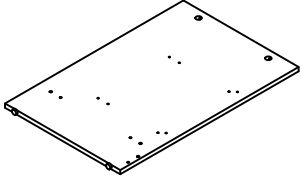
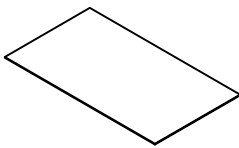
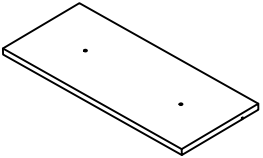
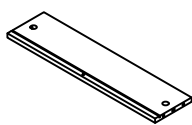
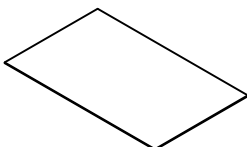
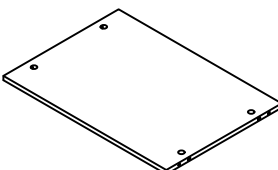
ITEM	DESCRIPTION	DRAWING	QTY
A	MINIFIX CAM LOCK		22 PCS
B	MINIFIX CAM BOLT		22 PCS
C	WOOD DOWEL (M6 x 25MM)		26 PCS
D	HANDLE		4 PCS
E	TRUSS M-SCREW (16MM)		4 PCS
F	LEFT DRAWER SLIDE		2 PCS
G	RIGHT DRAWER SLIDE		2 PCS
H	CSK SCREW M3 X 10MM		16 PCS
i	6/8" NAIL		16 PCS

ASSEMBLY INSTRUCTION

HARDWARES LIST

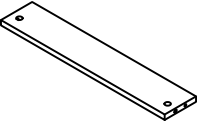
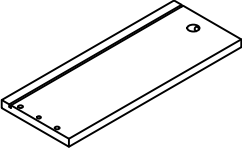
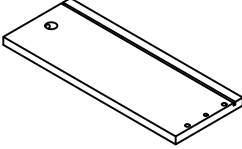
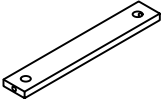
ITEM	DESCRIPTION	DRAWING	QTY
J	PLASTIC STRIP (H SHAPE)		1 PC

PARTS LIST

ITEM	DESCRIPTION	DRAWING	QTY
N1	TOP PANEL		1 PC
N2	LEFT PANEL		1 PC
N3	RIGHT PANEL		1 PC
N4	BACK PANEL		2 PCS
N5	DRAWER HEAD		2 PCS
N6	DRAWER BACK PANEL		2 PCS
N7	DRAWER BOTTOM PANEL		2 PCS
N8	BOTTOM PANEL		1 PC

ASSEMBLY INSTRUCTION

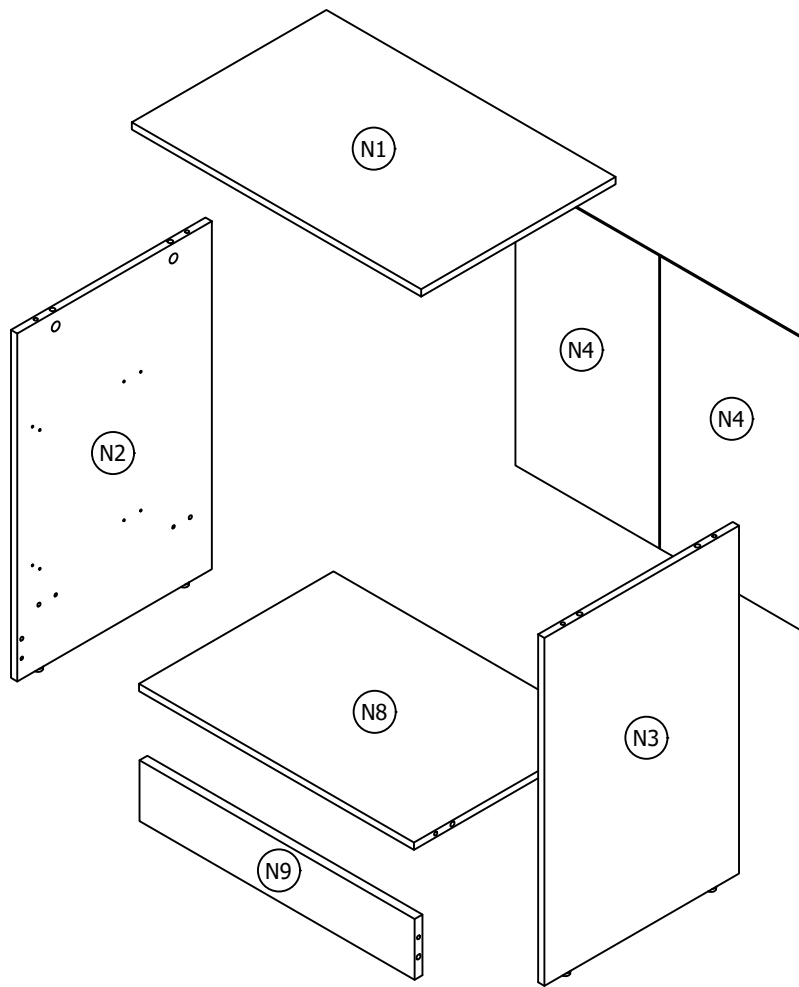
PARTS LIST

ITEM	DESCRIPTION	DRAWING	QTY
N9	BOTTOM RAIL		1 PC
19	DRAWER LEFT PANEL		2 PCS
20	DRAWER RIGHT PANEL		2 PCS
21	DRAWER BOTTOM SUPPORT RAIL		2 PCS

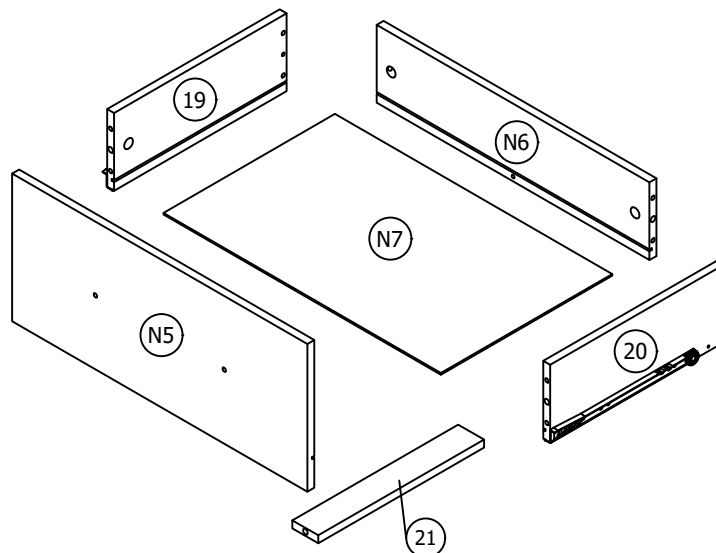
ASSEMBLY INSTRUCTION

PARTS ' LOCATION

NIGHT STAND x 1 PC



DRAWER x 2 PCS

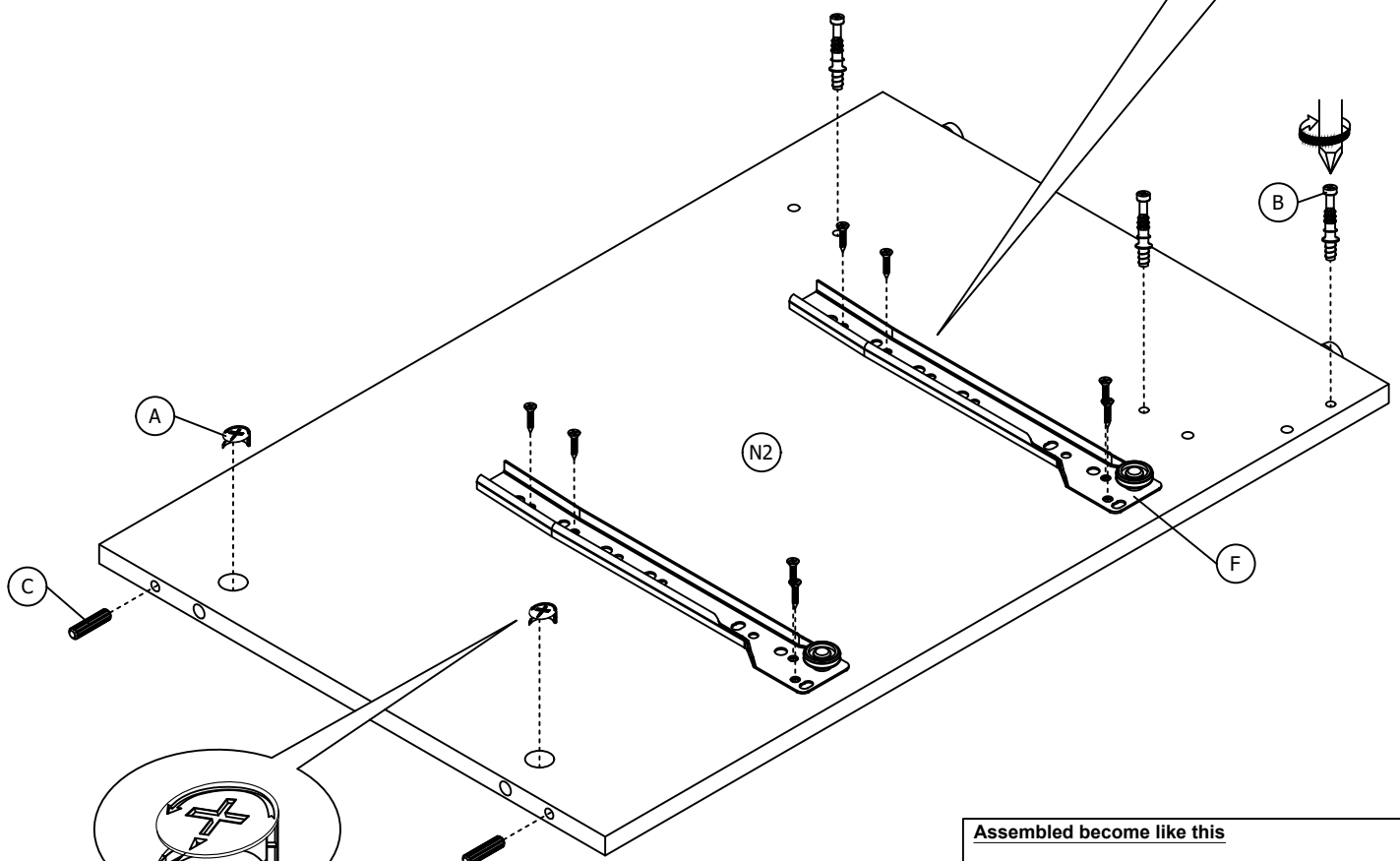
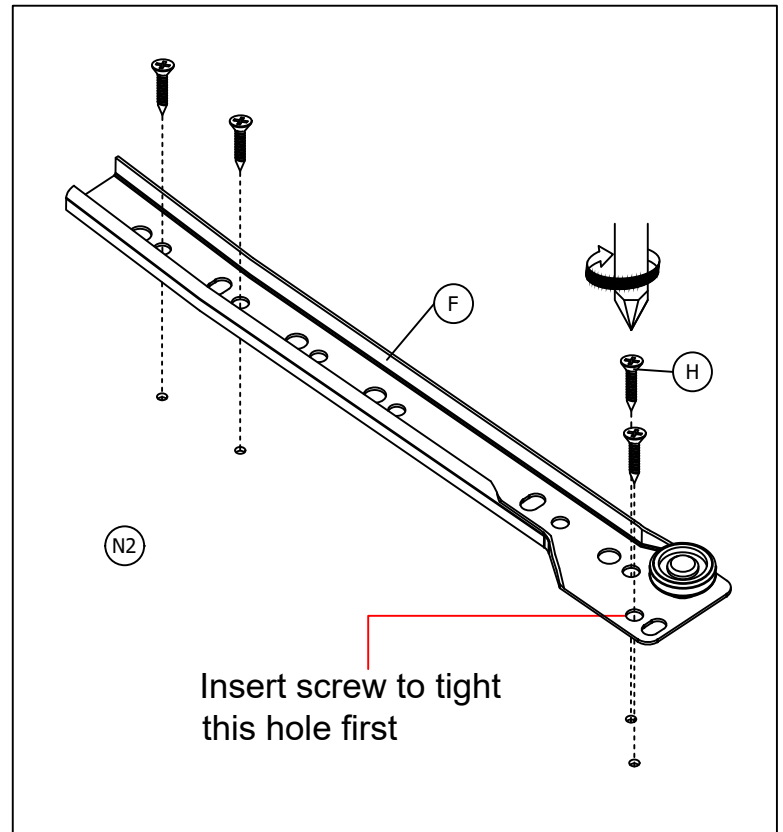


ASSEMBLY INSTRUCTION

ASSEMBLY STEPS

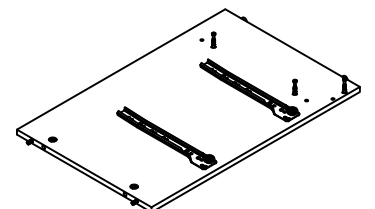
STEP 1

Fix 2 pieces (F) to (N2) by using 8 pieces (H).
Then insert 2 pieces (A) and (C), 3 pieces (B) as shown.



Arrow need to face outside.

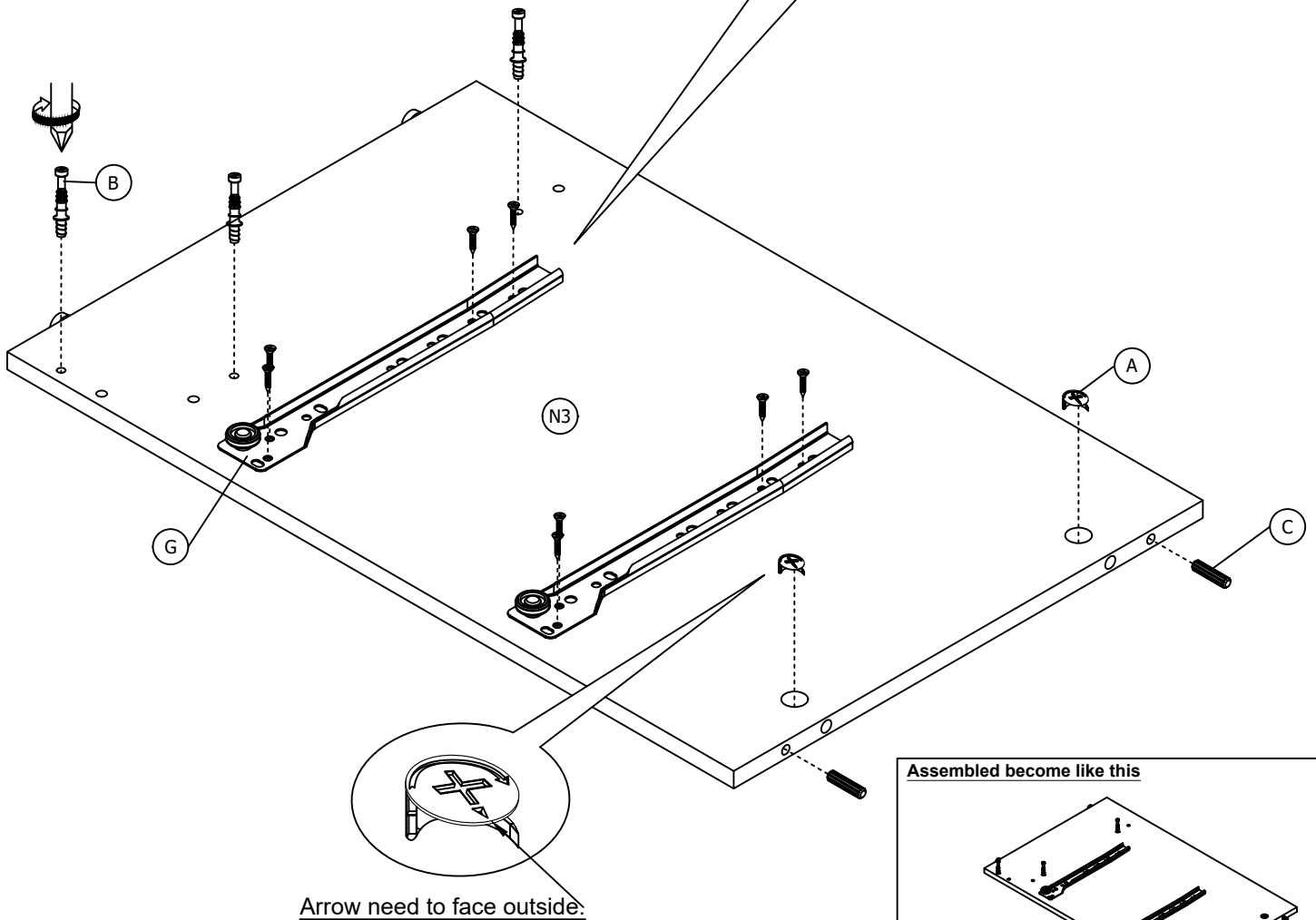
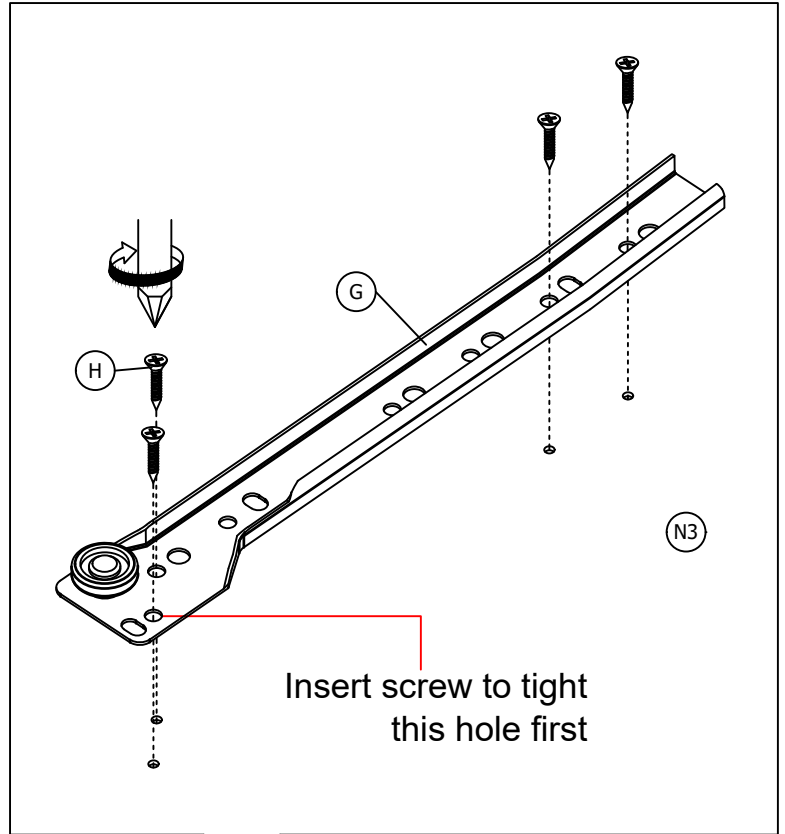
Assembled become like this



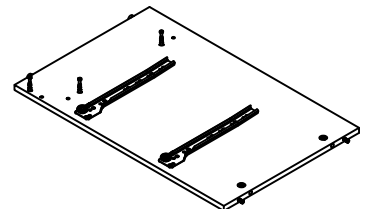
ASSEMBLY INSTRUCTION

STEP 2

Fix 2 pieces (G) to (N3) by using 8 pieces (H).
Then insert 2 pieces (A) and (C), 3 pieces (B) as shown.



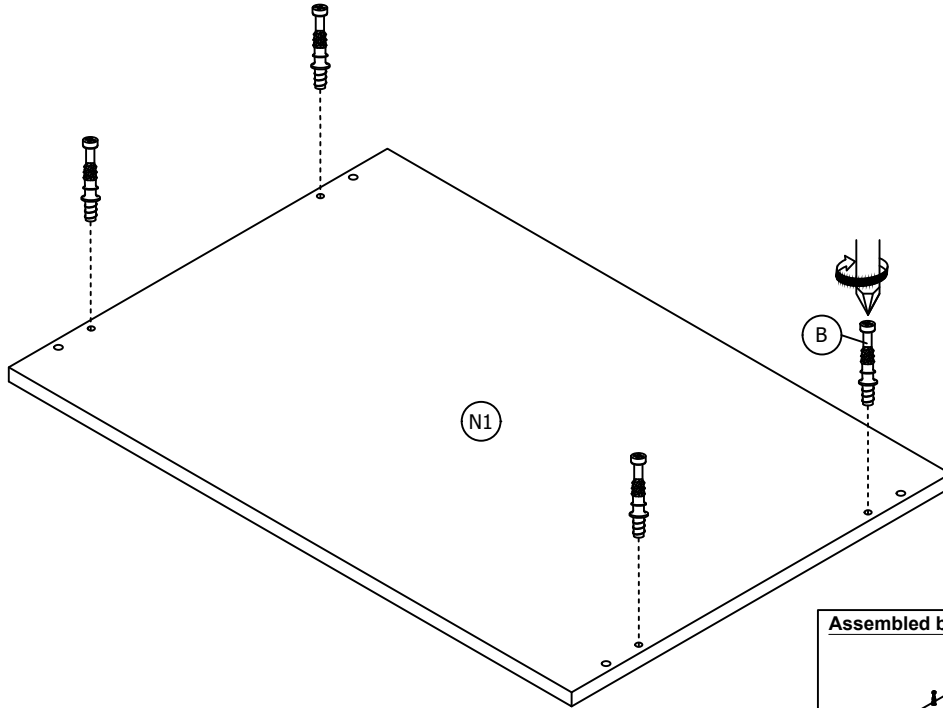
Assembled become like this



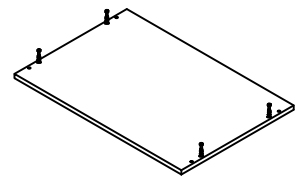
ASSEMBLY INSTRUCTION

STEP 3

Insert 4 pieces (B) to the (N1) as shown.



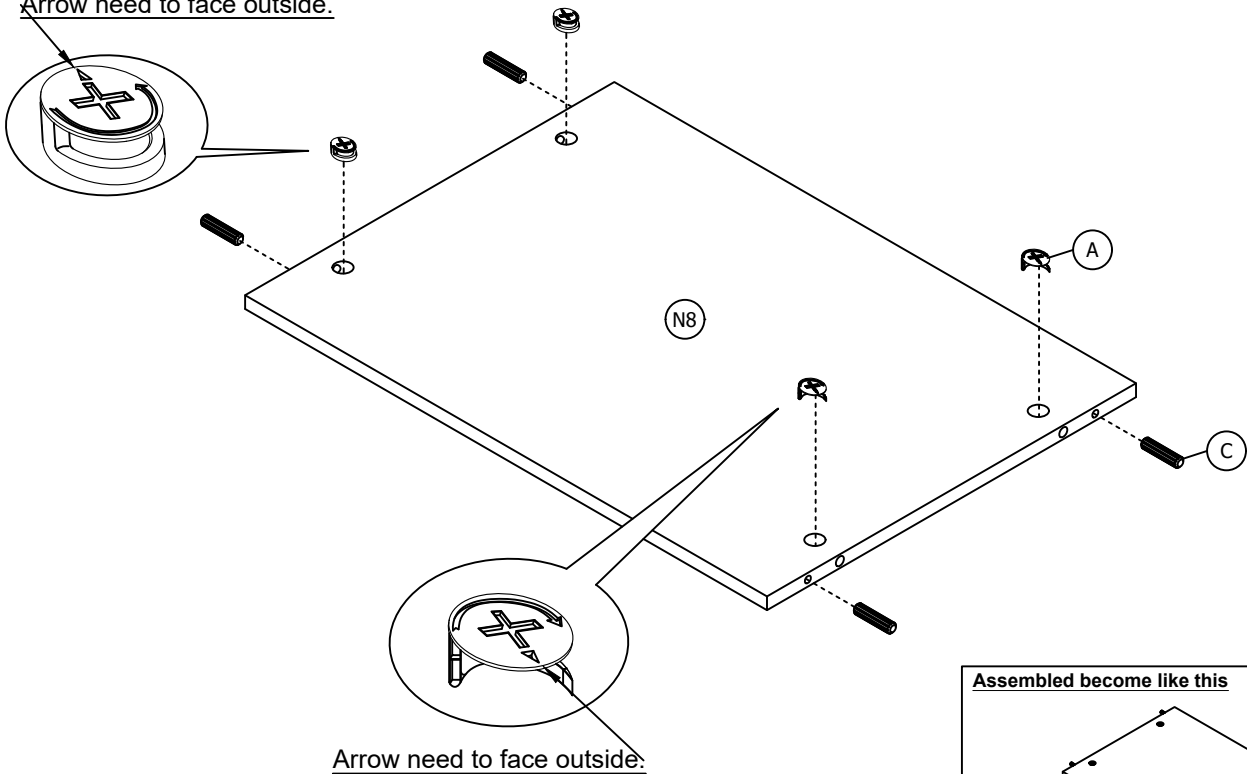
Assembled become like this



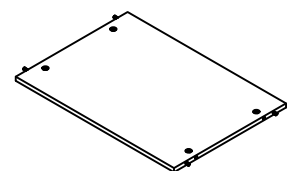
STEP 4

Insert 4 pieces (A) and (C) to the (N8) as shown.

Arrow need to face outside.



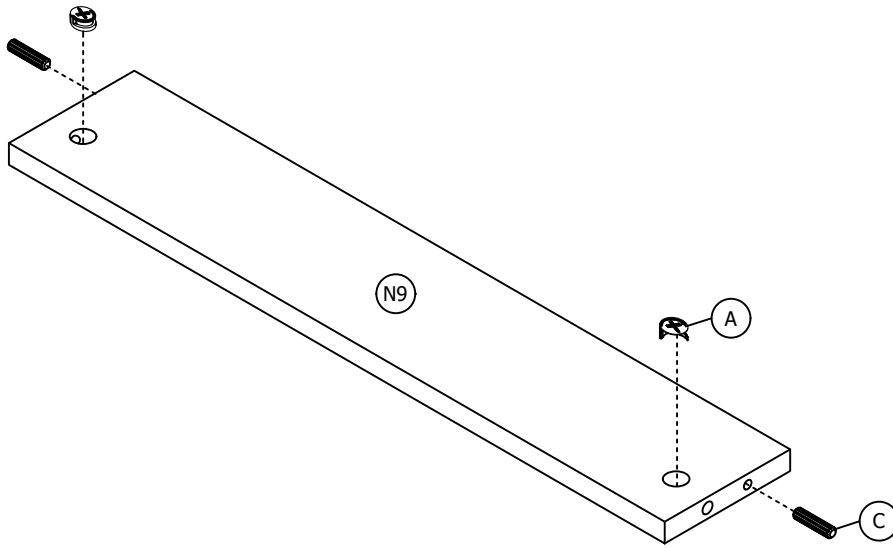
Assembled become like this



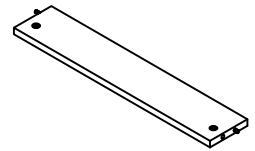
ASSEMBLY INSTRUCTION

STEP 5

Insert 2 pieces (A) and (C) to the (N9) as shown.

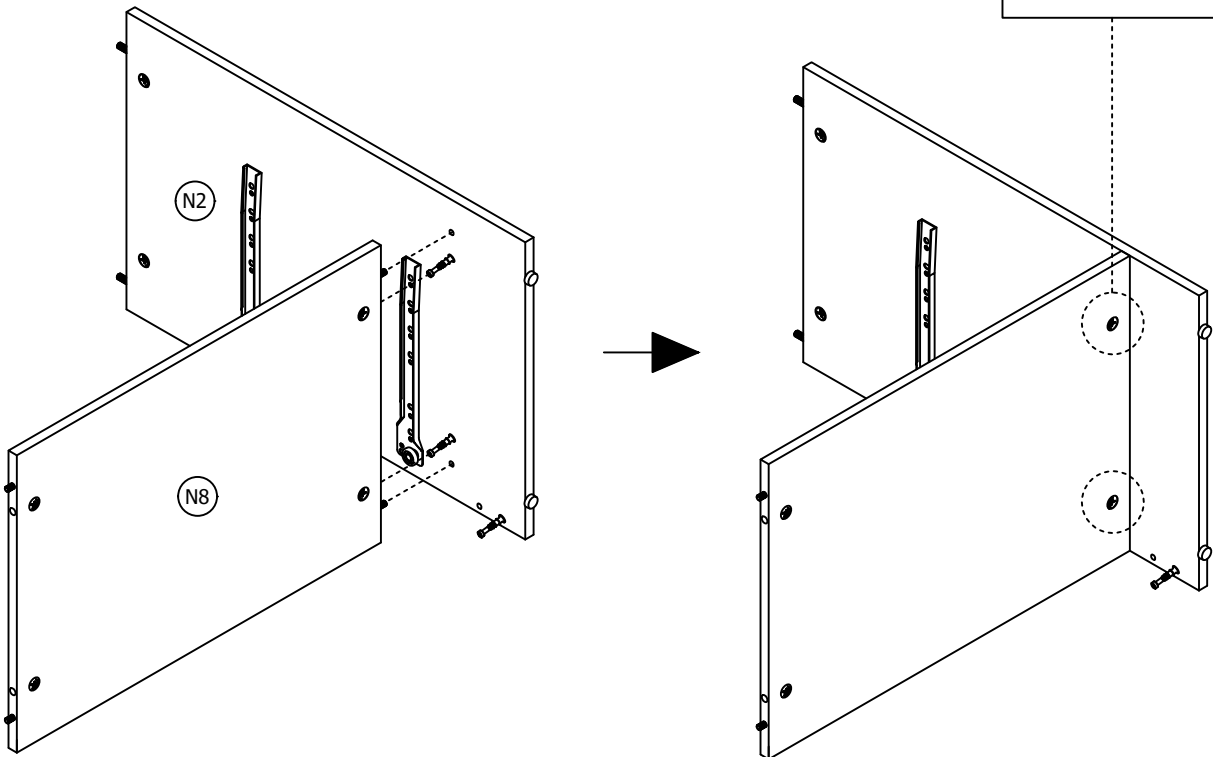


Assembled become like this



STEP 6

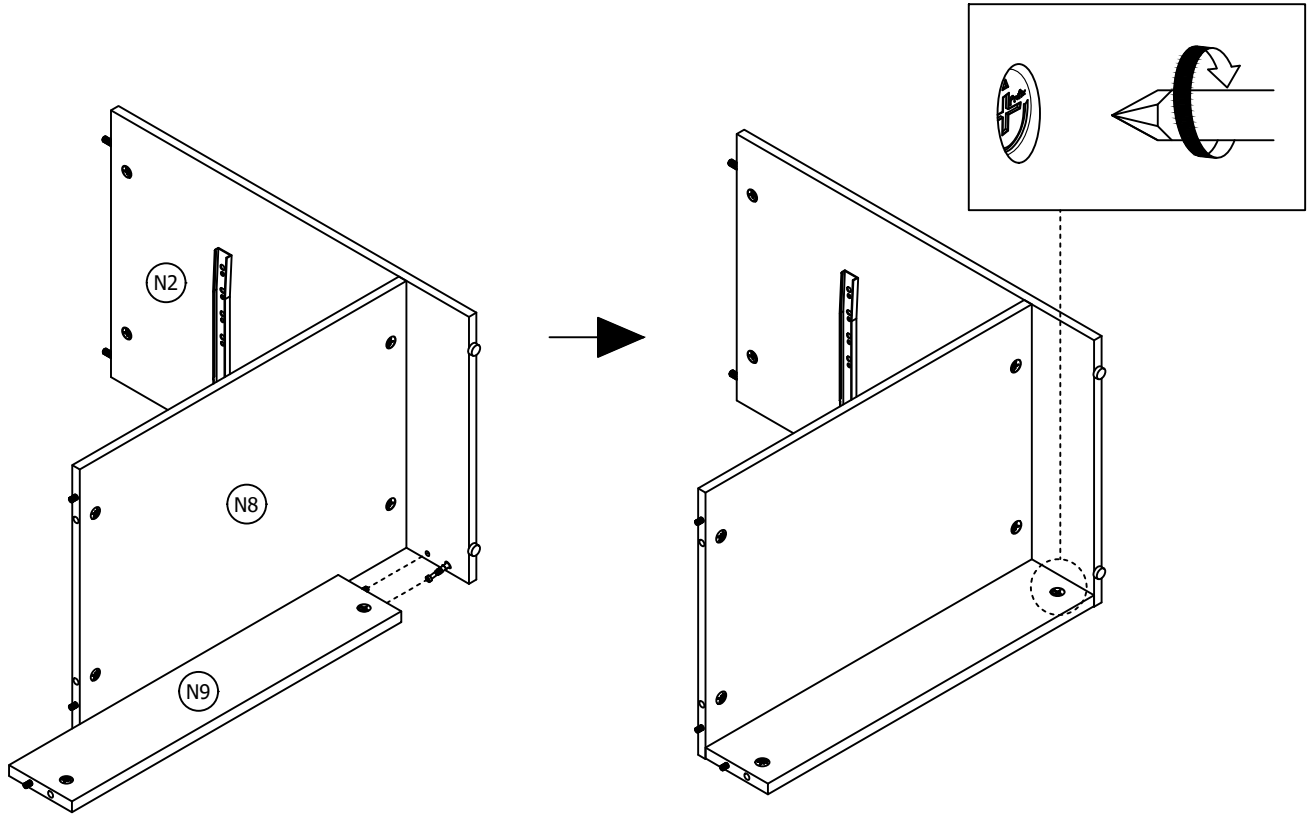
Combine the (N8) to the (N2), tighten the 2 pieces (A)-(pre insert in step 4) as shown.



ASSEMBLY INSTRUCTION

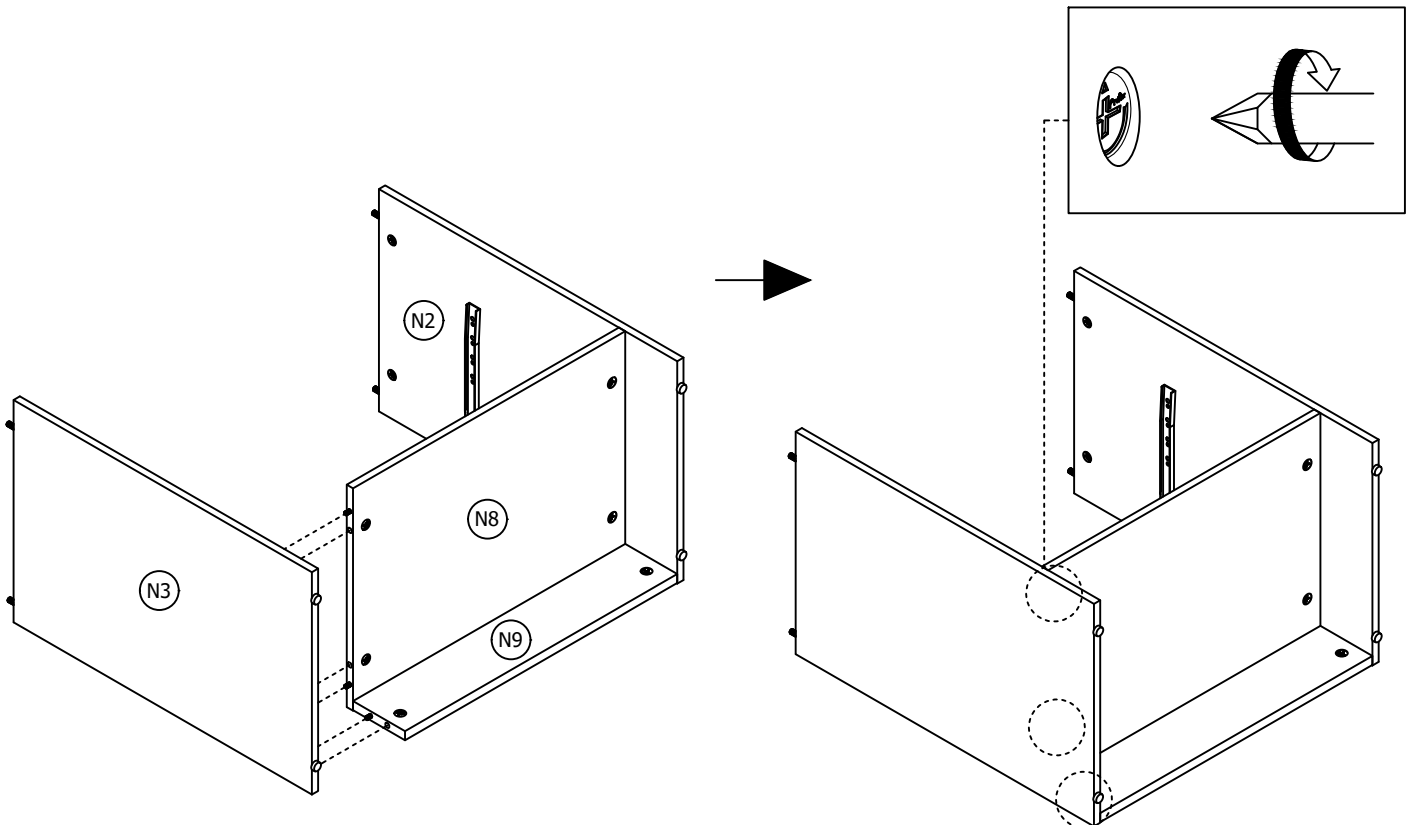
STEP 7

Combine the (N9) to the (N2), tighten the 1 piece (A)-(pre insert in step 5) as shown.



STEP 8

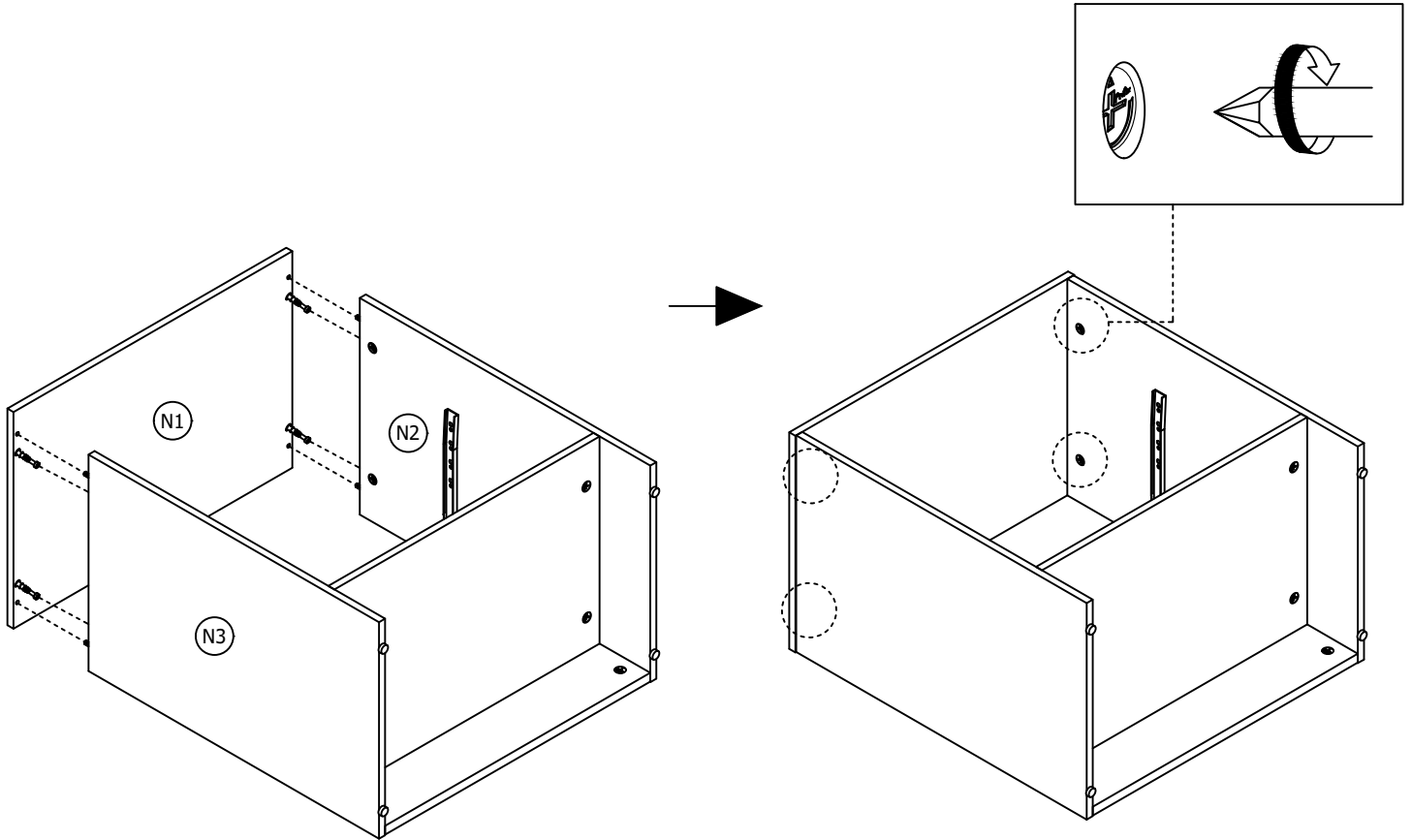
Combine the (N3) to the (N8) and (N9), tighten the 3 pieces (A)-(pre insert in step 4 and 5) as shown.



ASSEMBLY INSTRUCTION

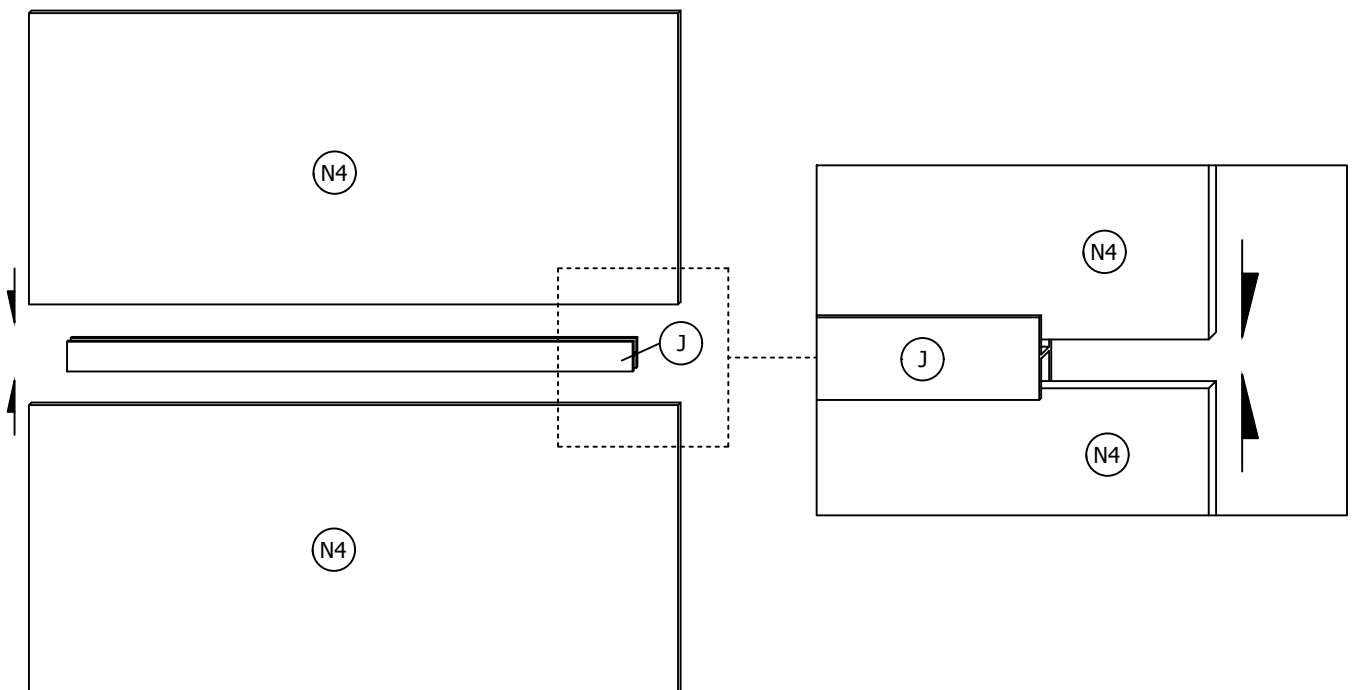
STEP 9

Combine the (N1) to the (N2) and (N3), tighten the 4 pieces (A)-(pre insert in step 1 and 2) as shown.



STEP 10

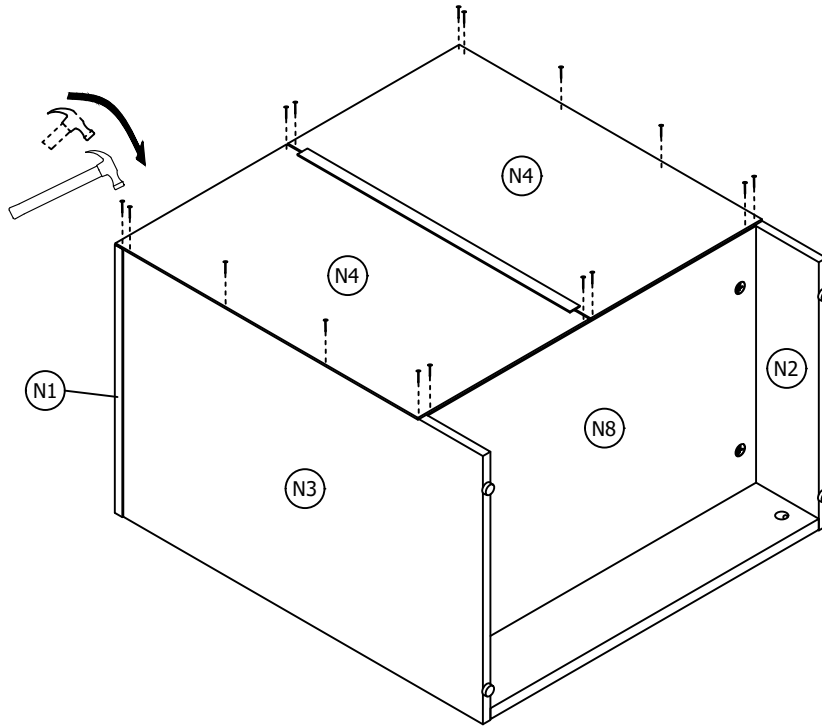
Put the (N4) to the gap of (J) as shown. Direction of the side with colored paper must be the same.



ASSEMBLY INSTRUCTION

STEP 11

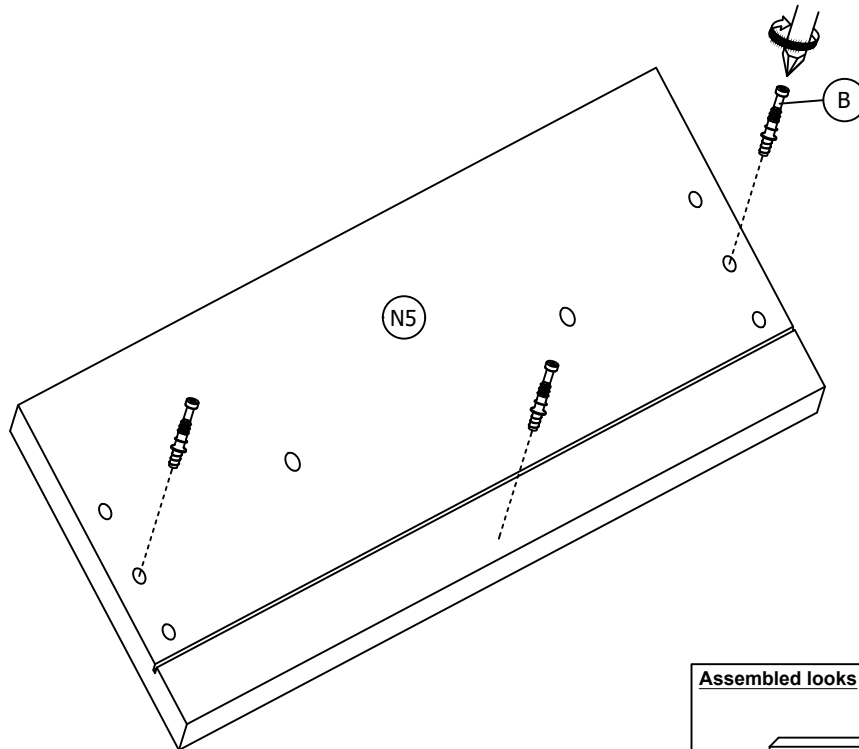
Insert 16 pieces (i) to fix (N4) as shown. Colored paper face to outside.



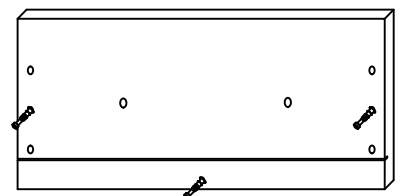
STEP 12

Insert 3 pieces (B) to the (N5) as shown.

x 2



Assembled looks

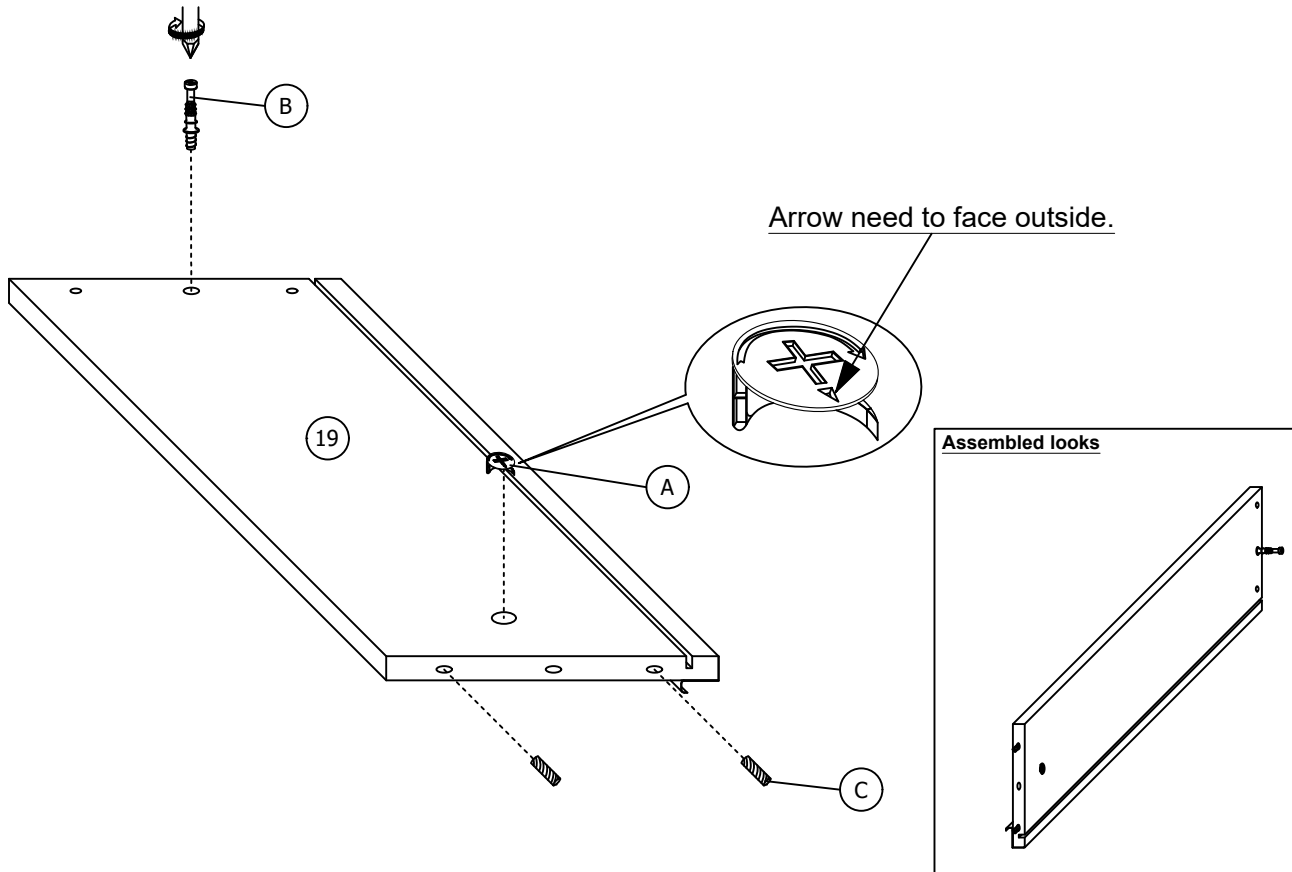


ASSEMBLY INSTRUCTION

STEP 13

Insert 1 piece (A), (B) and 2 pieces (C) to (19) as shown.

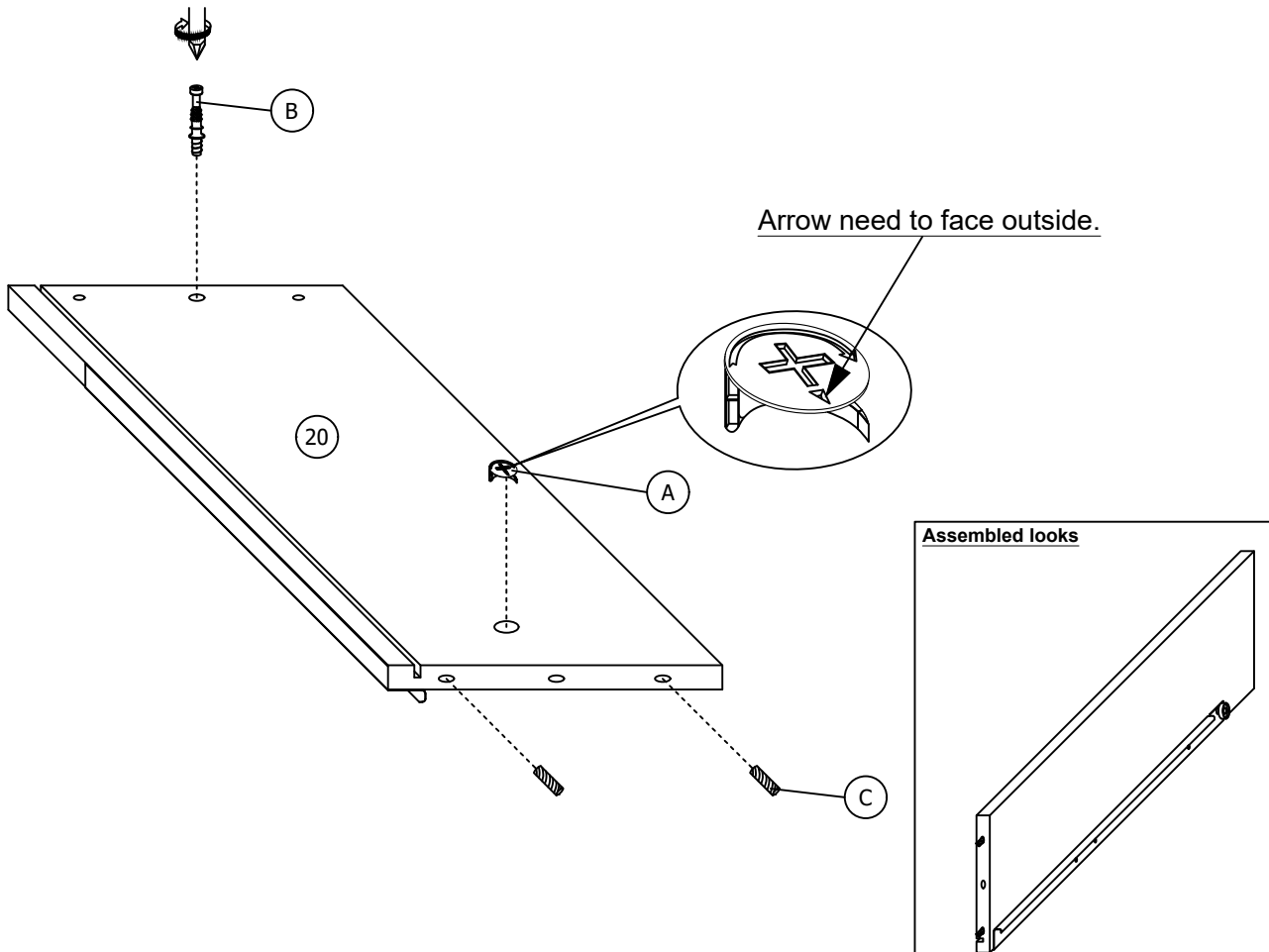
x 2



STEP 14

Insert 1 piece (A), (B) and 2 pieces (C) to (20) as shown.

x 2

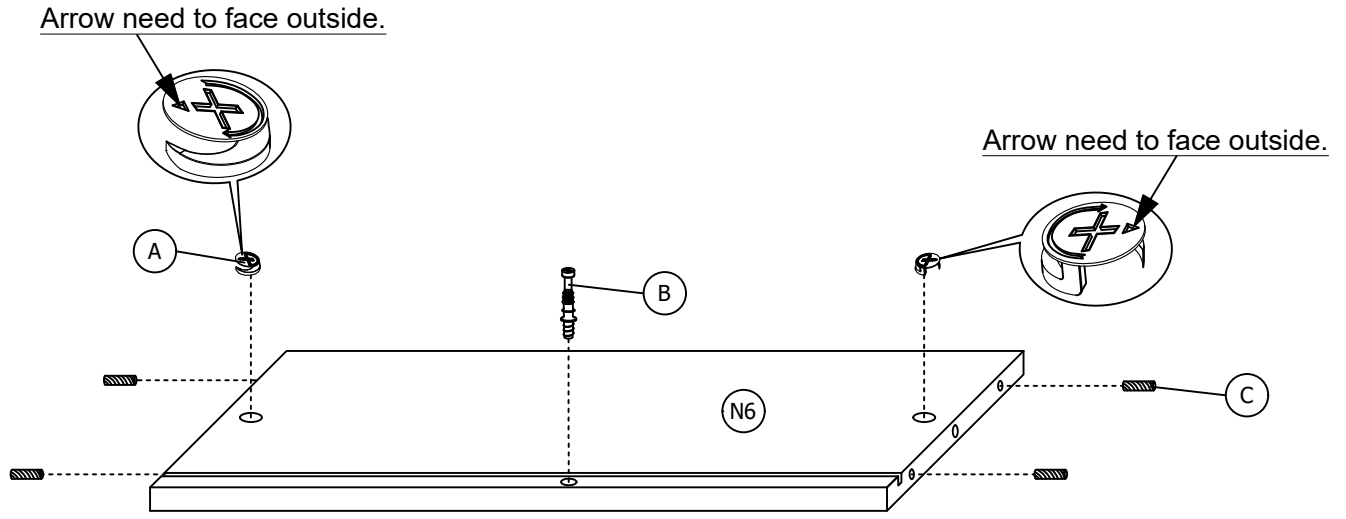


ASSEMBLY INSTRUCTION

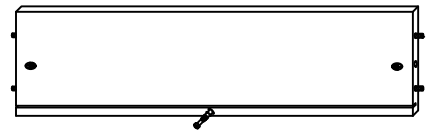
STEP 15

Insert 2 pieces (A), 1 piece (B) and 4 pieces (C) to (N6) as shown.

x 2



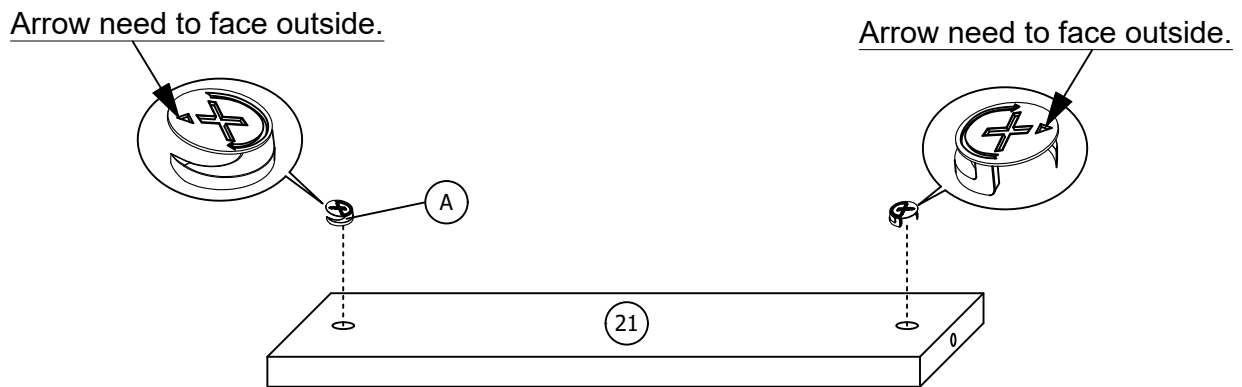
Assembled looks



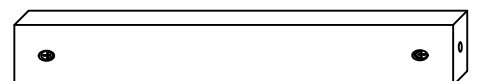
STEP 16

Insert 2 pieces (A) to (21) as shown.

x 2



Assembled looks

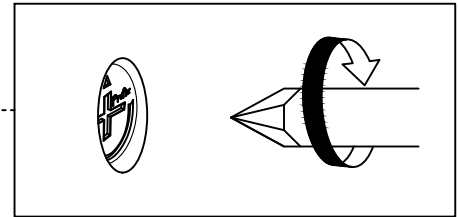
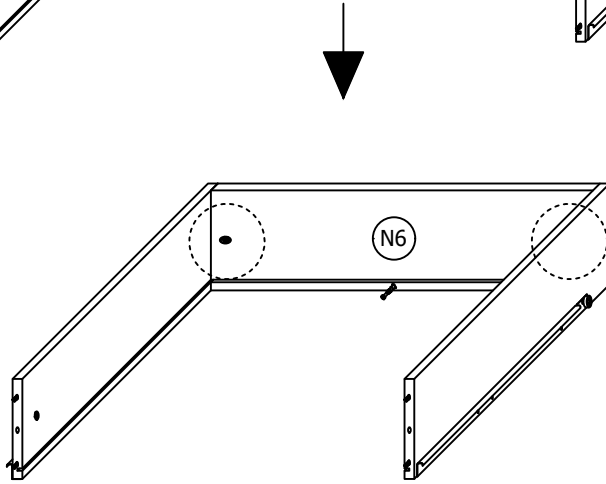
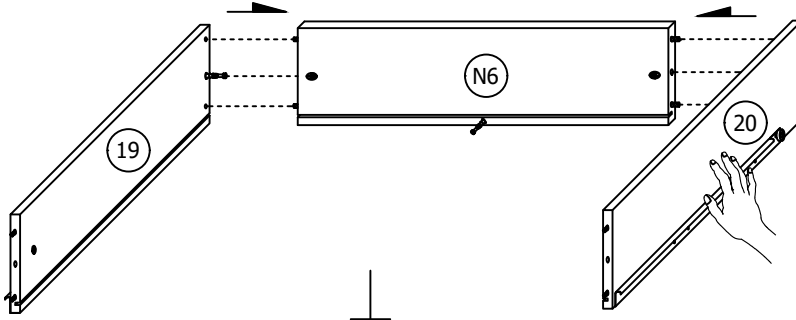


ASSEMBLY INSTRUCTION

STEP 17

Combine the (19) and (20) to the (N6), tighten the 2 pieces (A)-(pre insert in step 15) as shown.

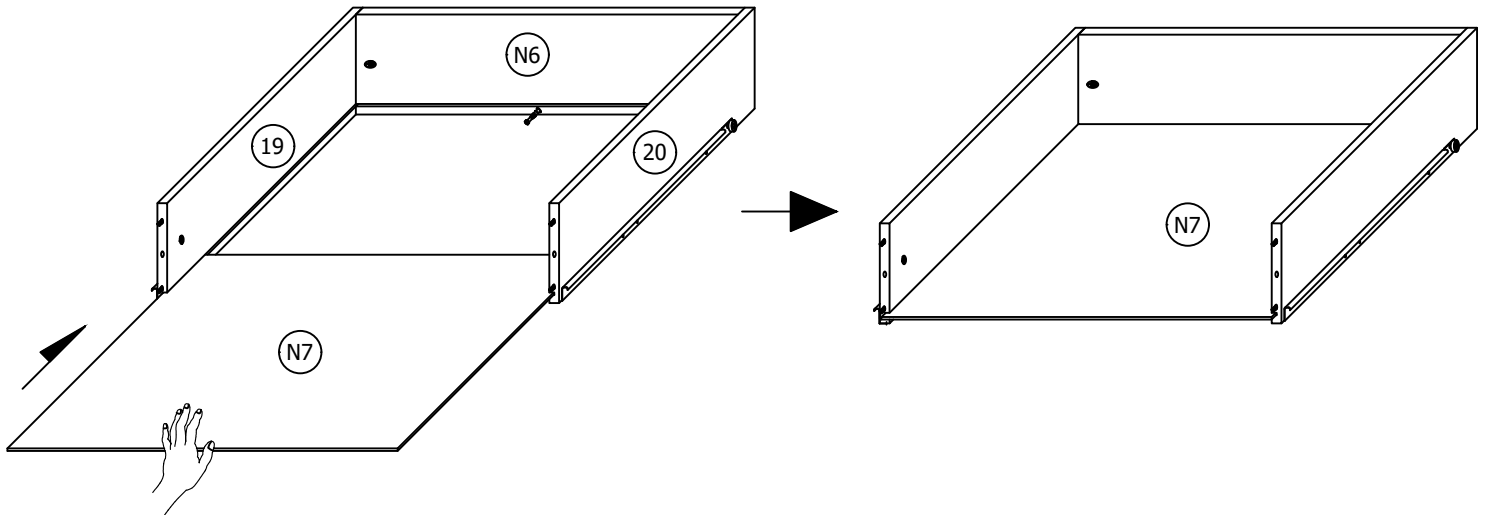
x 2



STEP 18

Put the (N7) into the gap of (19), (20) and (N6) as shown.

x 2

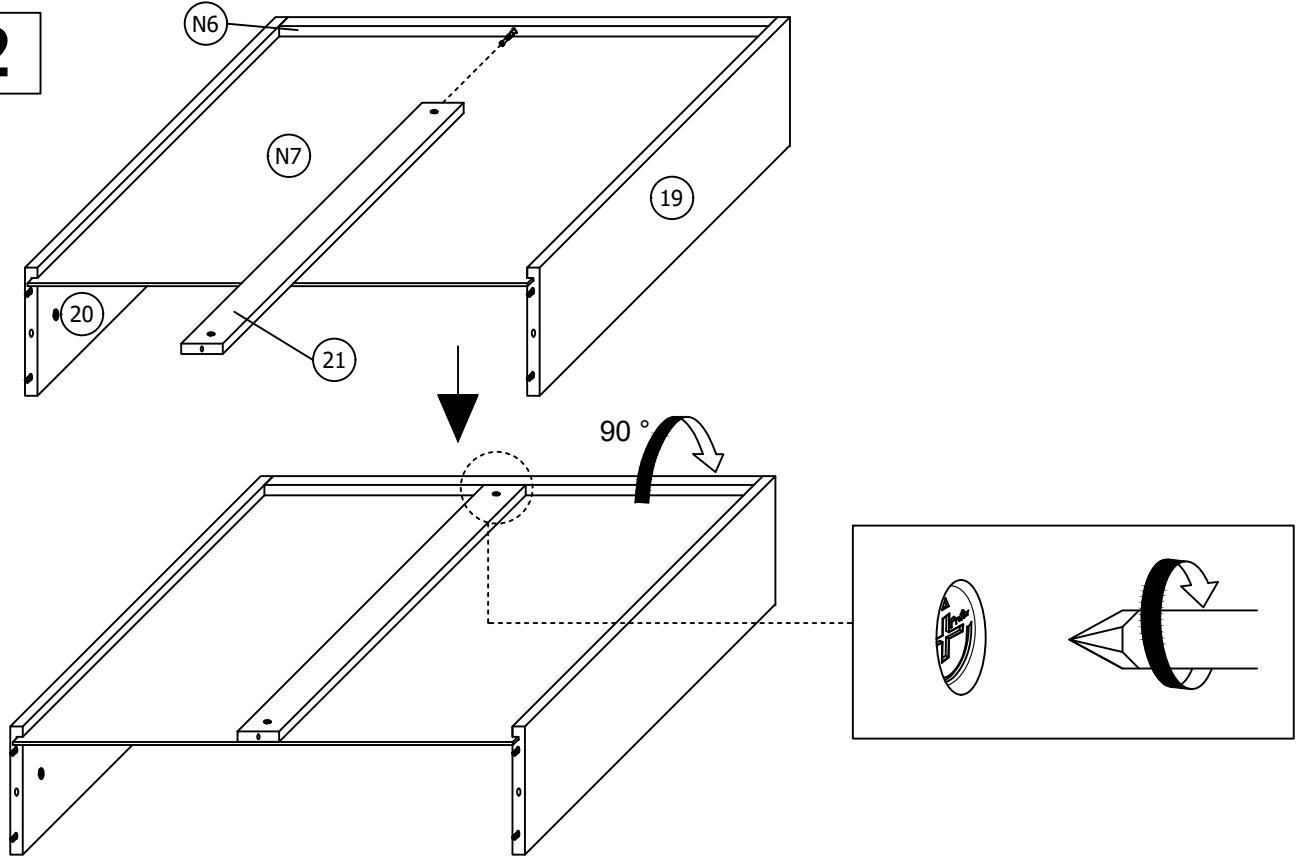


ASSEMBLY INSTRUCTION

STEP 19

Combine the (21) to the (N6) then tighten the 1 piece (A)-(pre-insert in step 16) as shown.

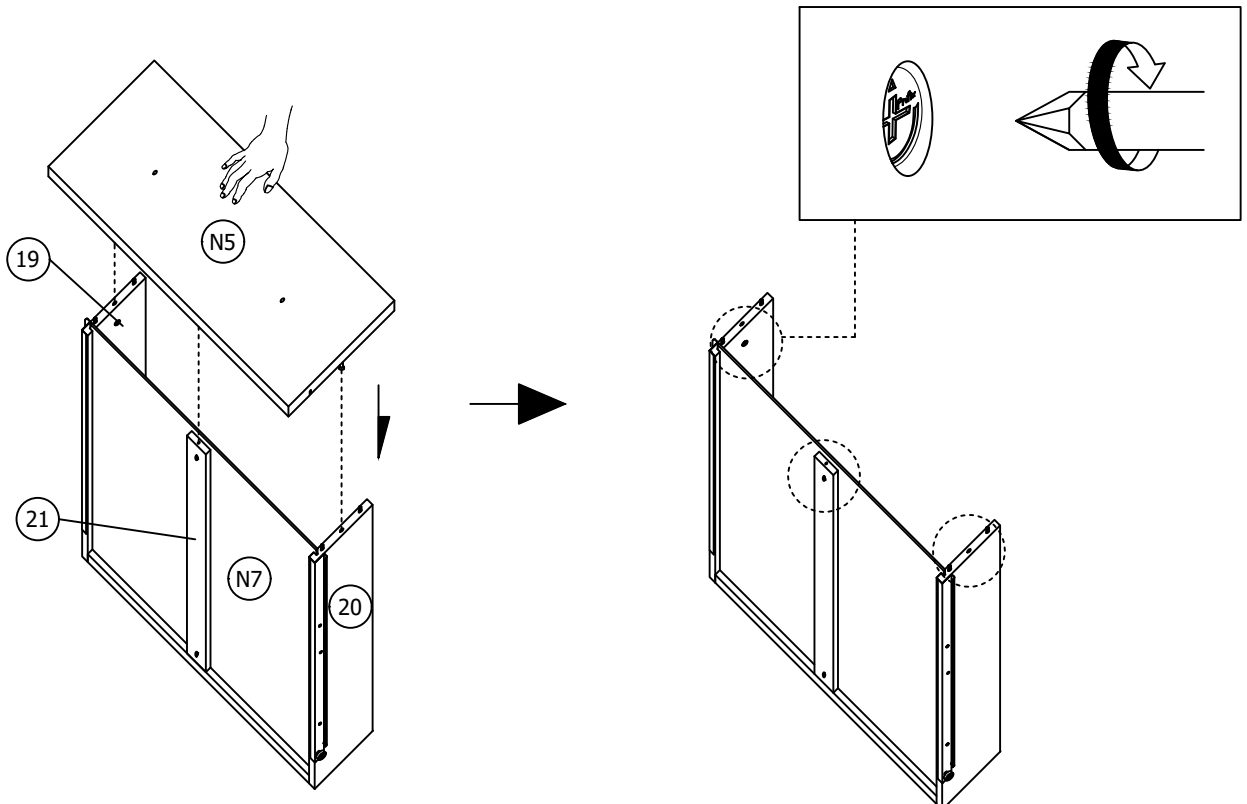
x 2



STEP 20

Combine the (N5) to the drawer frame. Then tighten the 3 pieces (A)-(pre-insert in step 13,14 and 16) as shown.

x 2

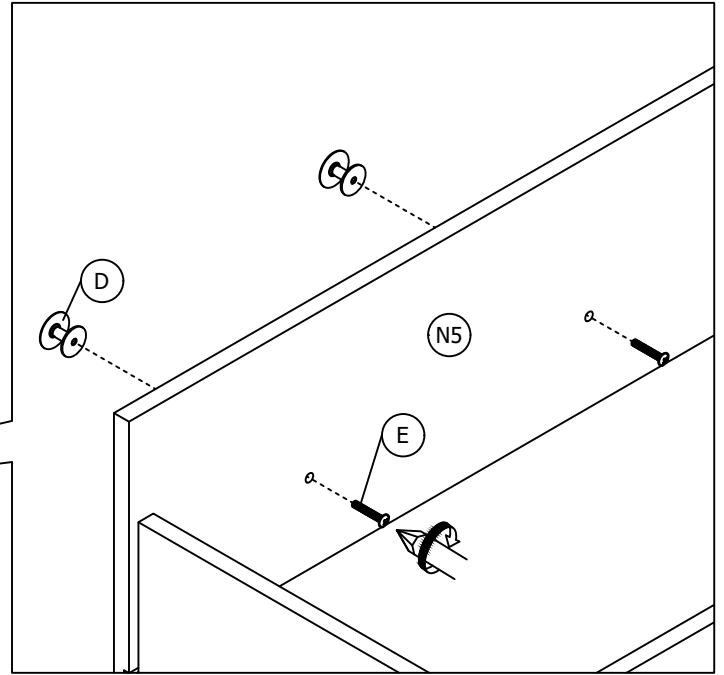
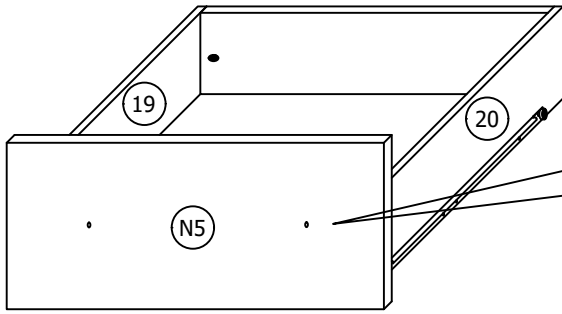


ASSEMBLY INSTRUCTION

STEP 21

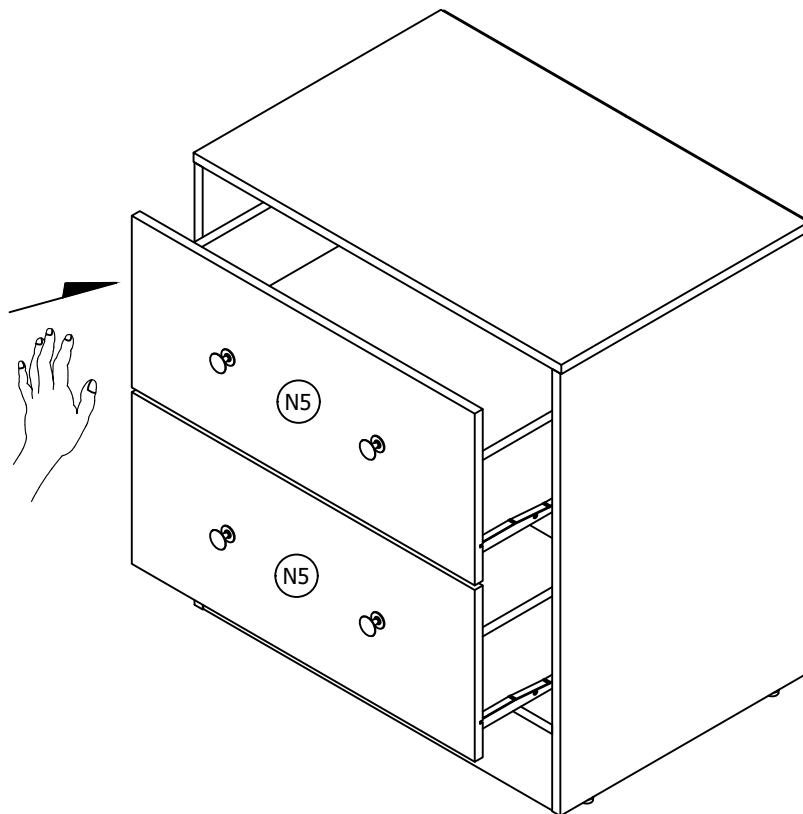
Insert (E) to fix with (D) as shown.

x 2



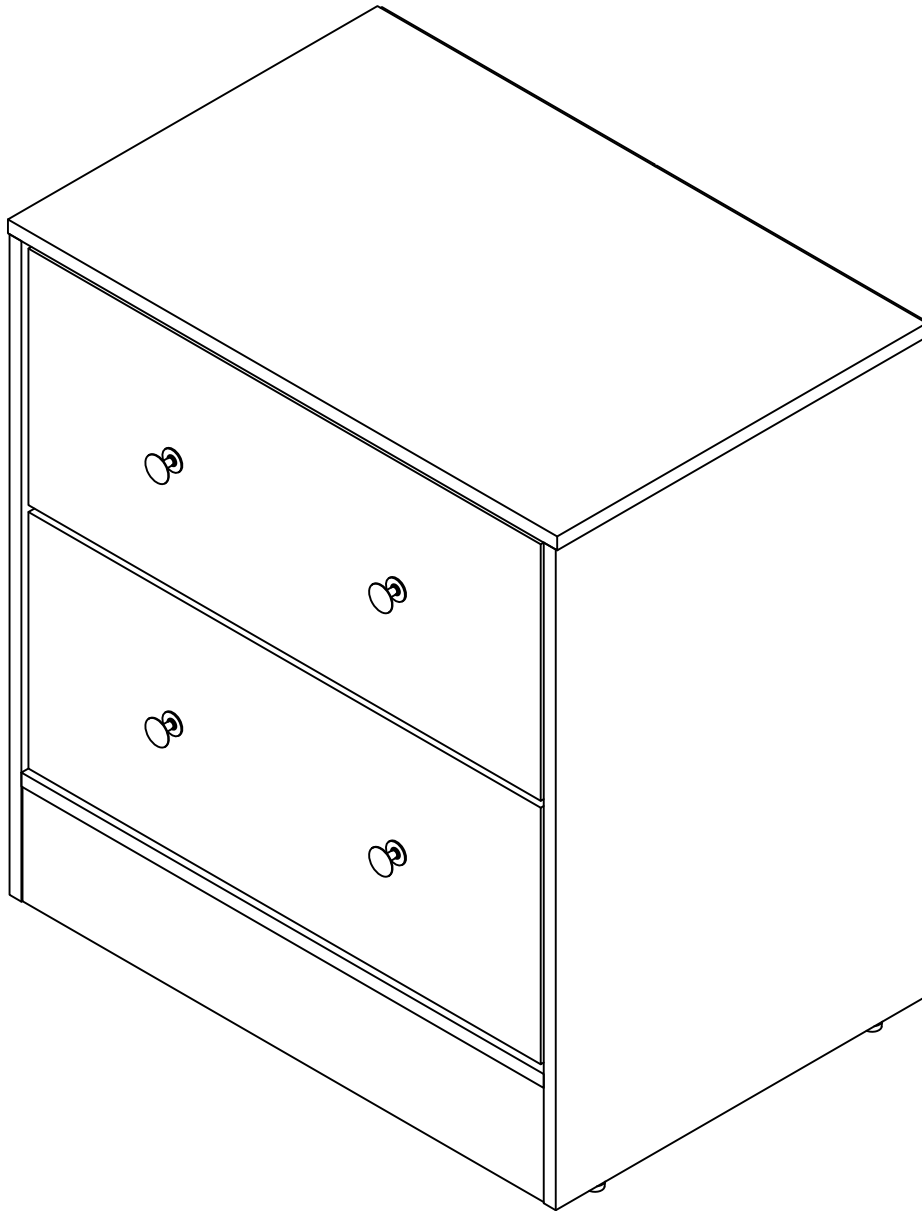
STEP 22

Align the position then push the drawers to inside exactly as shown.



ASSEMBLY INSTRUCTION

STEP 23



ASSEMBLY COMPLETED