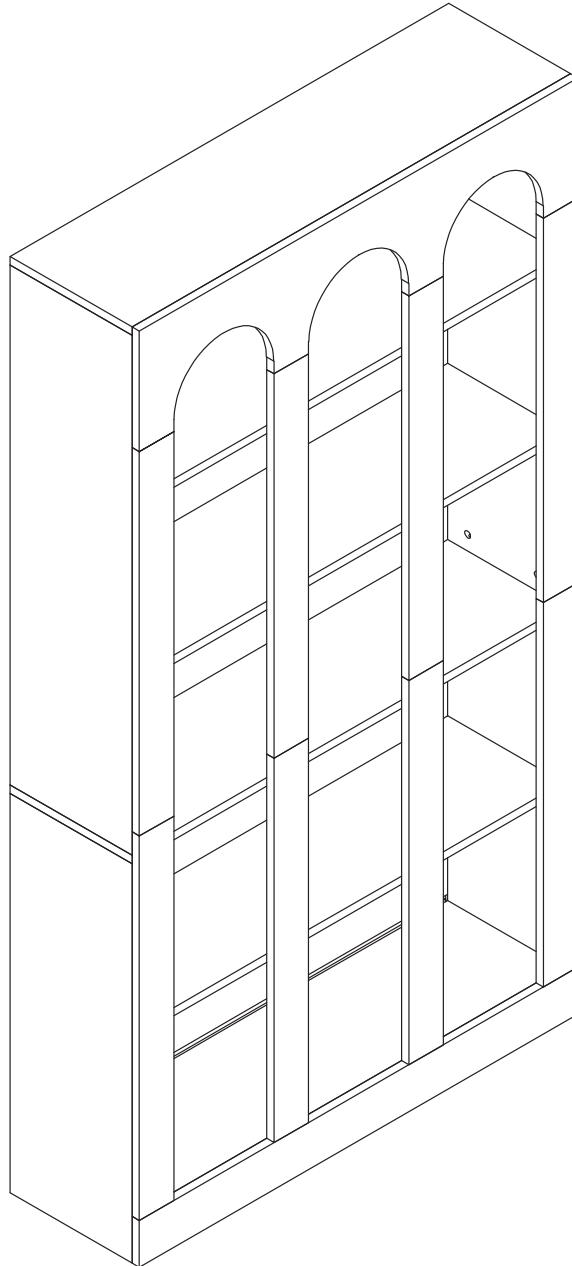


Assembly Instructions



Bookshelf

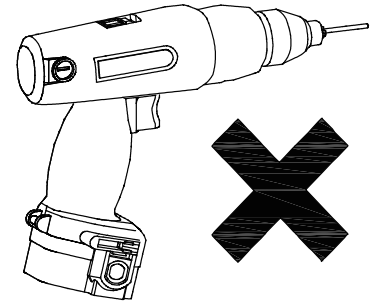
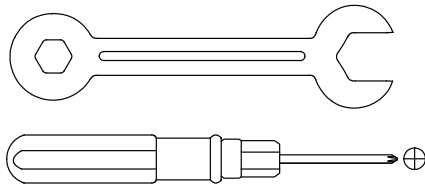
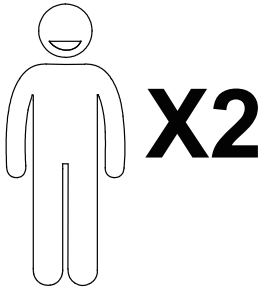
Contact Us

We're here to help you.

Your satisfaction is our top priority. If you encounter any issues with this product, such as missing or damaged parts, we're here to help. Please retain the original packaging and take photos of the packaging and the product, then contact us as soon as possible.

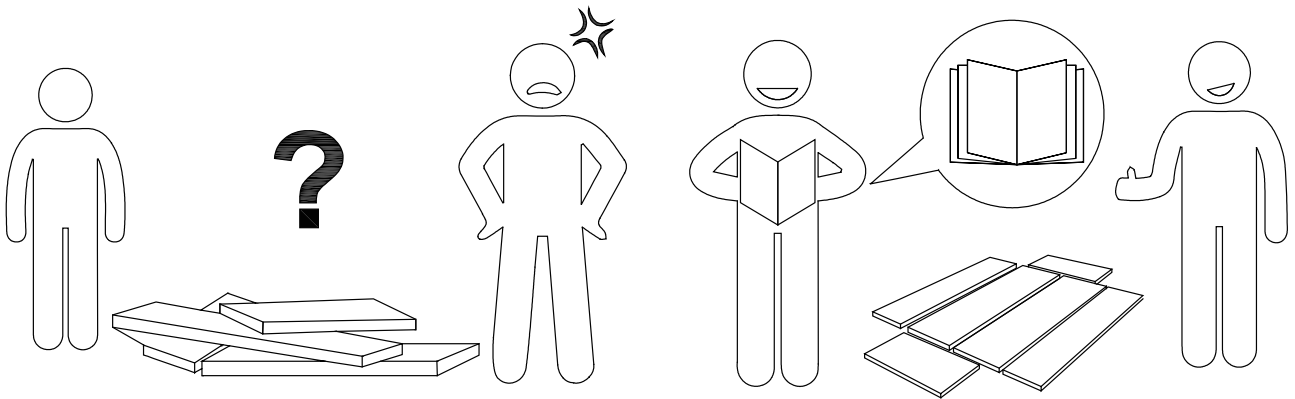
Warm Tips

1. Carefully read these instructions and keep them for future reference.
2. Check the parts list and confirm everything's there before starting assembly.
3. When assembling, put all parts on a soft, smooth surface like a carpet to avoid scratches.
4. Don't fully tighten screws until all parts are confirmed in place to avoid misalignment.



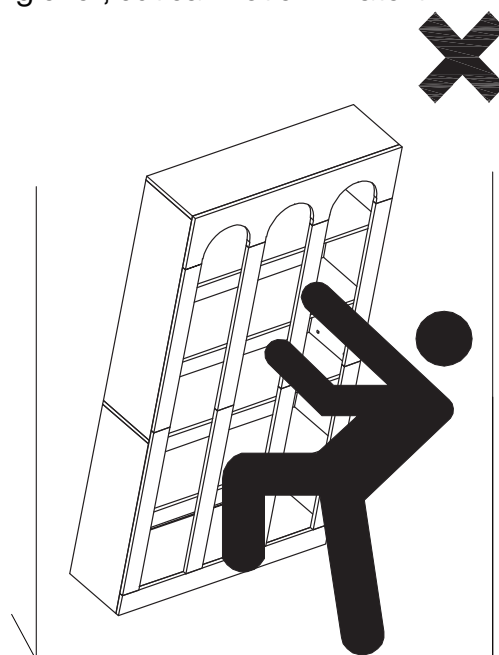
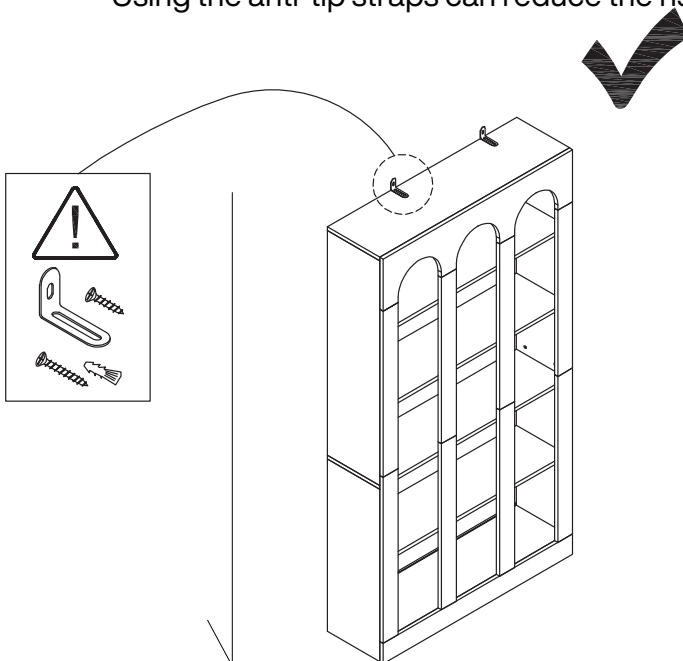
We recommend using hand tools for assembly.

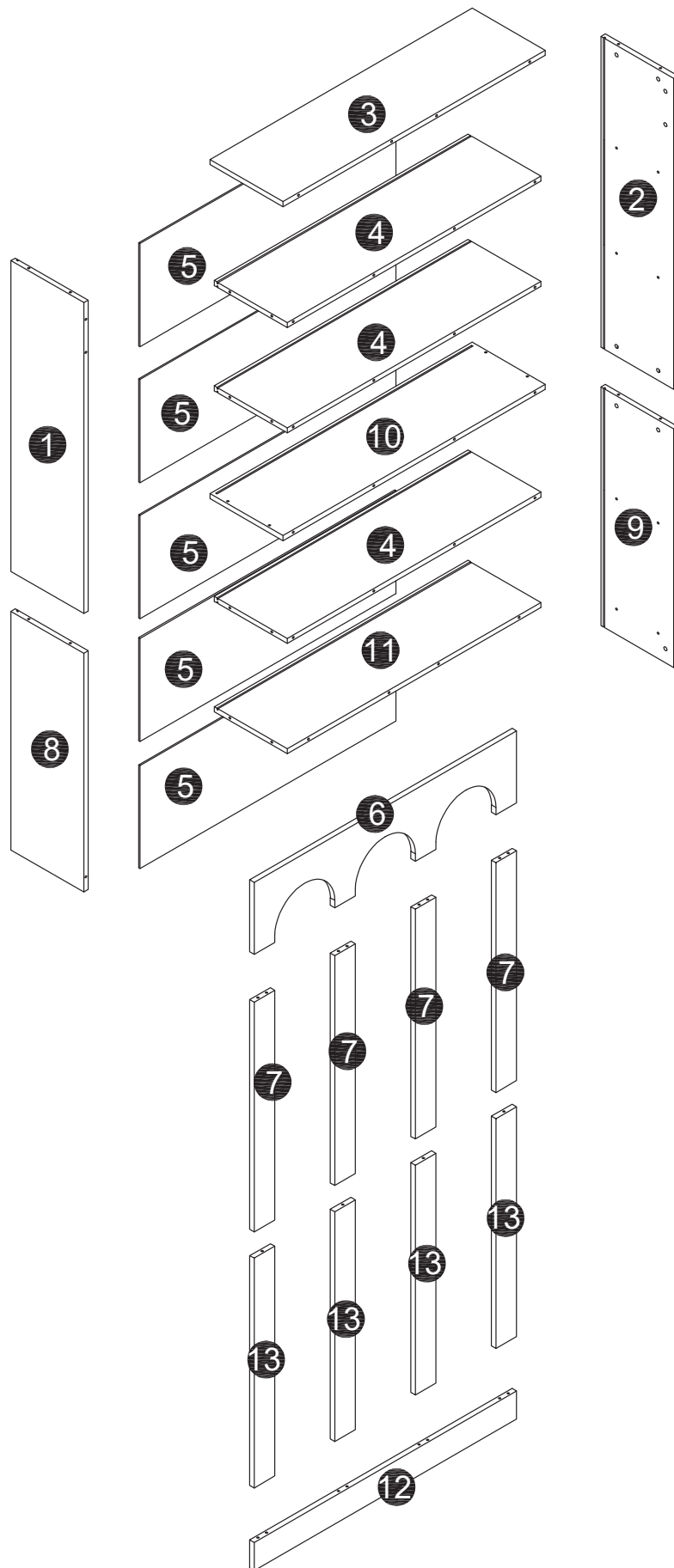
If an electric screwdriver is used, reduce power and torque to avoid damage to the product.



Install the Anti-Tip Straps

Using the anti-tip straps can reduce the risk of tipping over, but can not eliminate it.

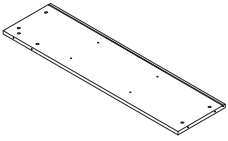
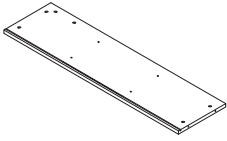
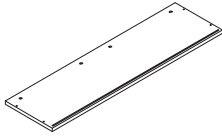
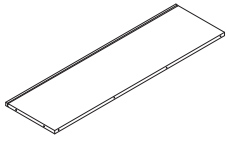
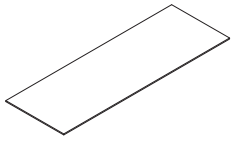
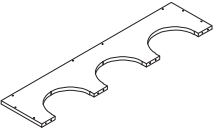
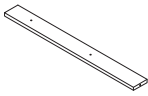
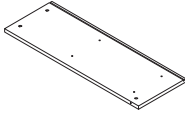
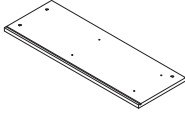
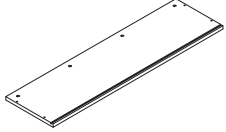
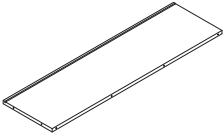
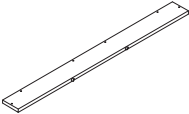
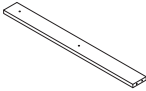








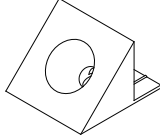
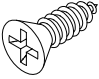
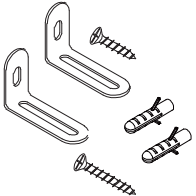

⚠ Caution

Make sure all parts are included. Most board parts are labeled or stamped on the raw edge. Contact us for a free replacement if you encounter any damaged or missing parts.

Parts List

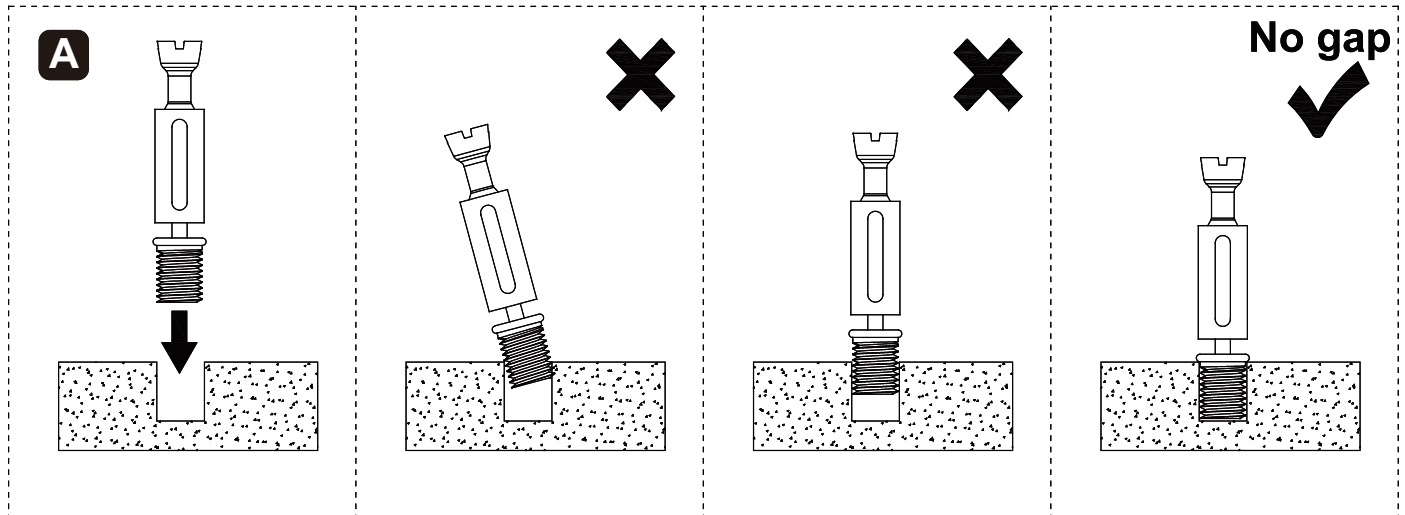
 ① 1pc	 ② 1pc	 ③ 1pc	 ④ 3pcs	 ⑤ 5pcs
 ⑥ 1pc	 ⑦ 4pcs	 ⑧ 1pc	 ⑨ 1pc	 ⑩ 1pc
 ⑪ 1pc	 ⑫ 1pc	 ⑬ 4pcs		

Hardware List

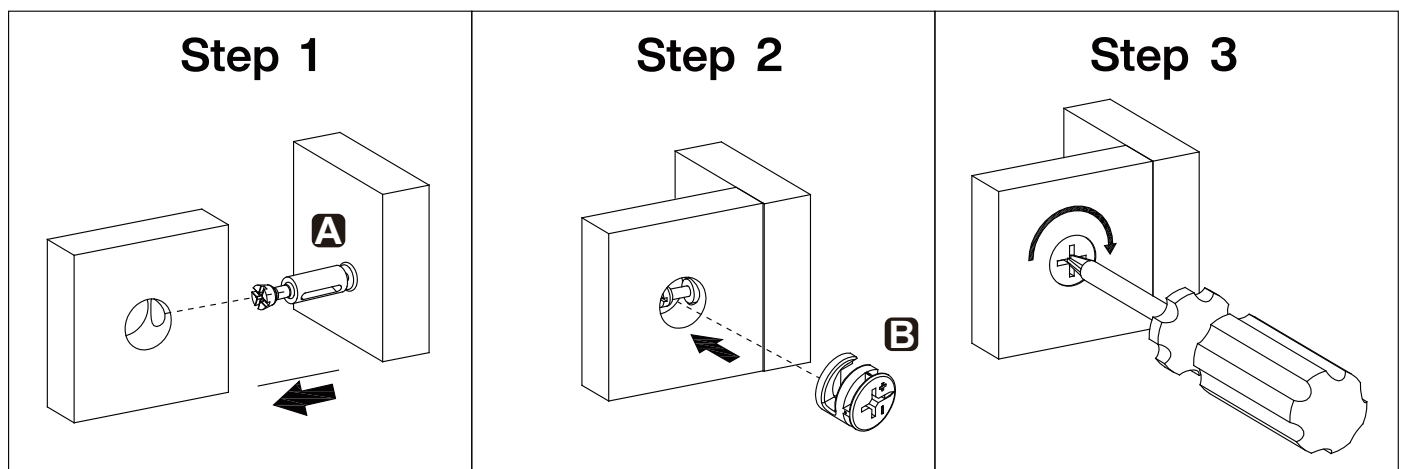
A	B	C	D	E	F
					
M6x35mm		Ø8x40mm			
58 pcs	58 pcs	20 pcs	58 pcs	18 pcs	18 pcs
G	H				
					
2 sets	1pc				

Installation of Cams and Pins

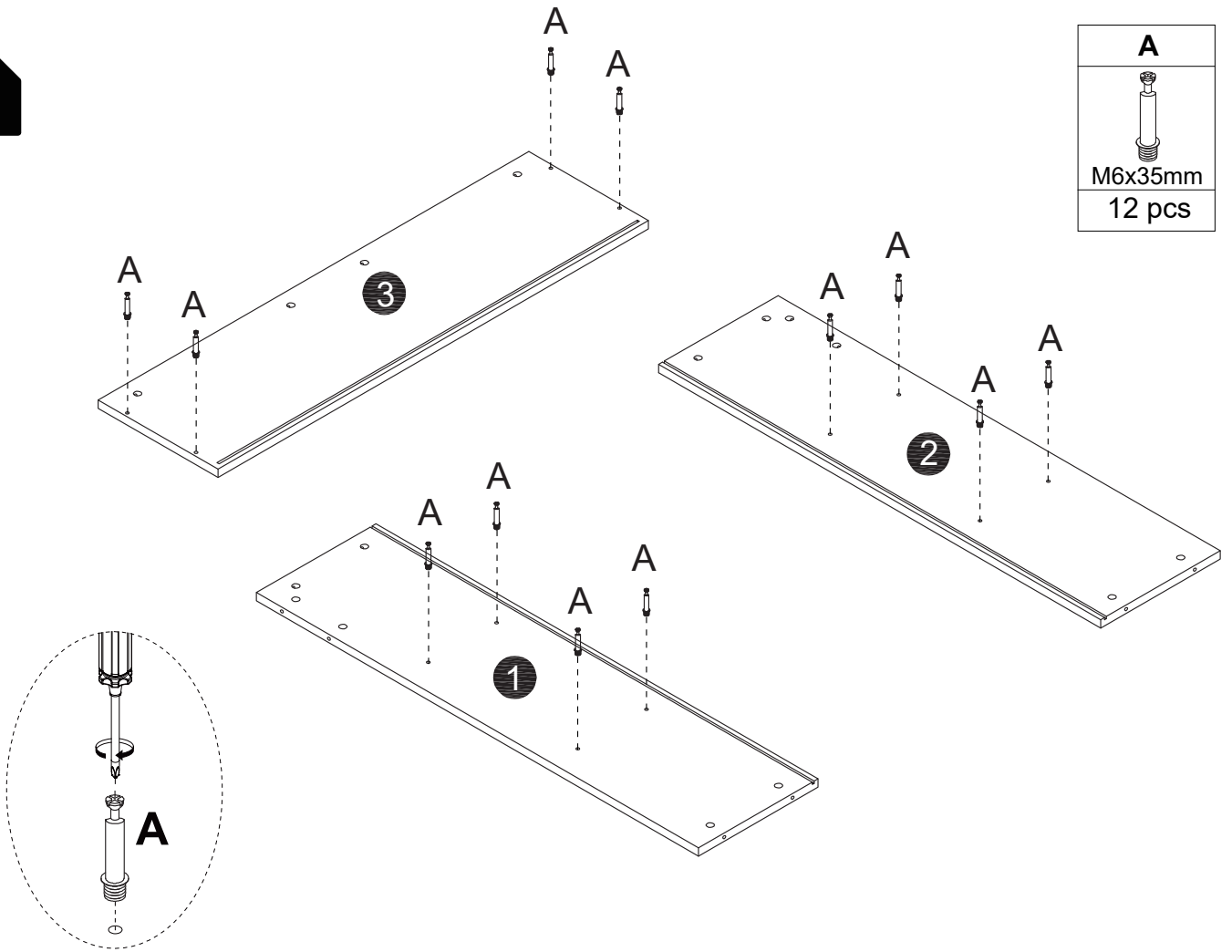
Read each step carefully before starting. Each step of instruction should be performed in the correct order. If these steps are not followed in sequence, assembly difficulties may occur.

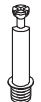


Screw the pin into the hole. Set the cams correctly by aligning the head of the cams with the lock pins. Lock the cam by turning the cam head with a screwdriver until it is tightened. Please do not use an electric screwdriver to assemble the unit.

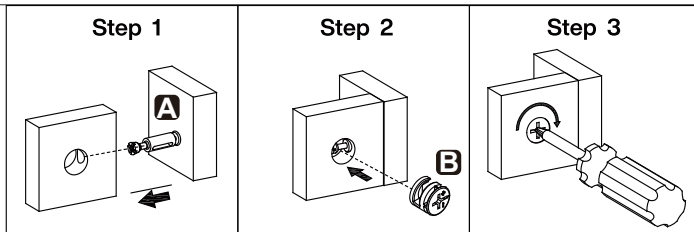


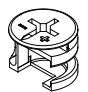
1

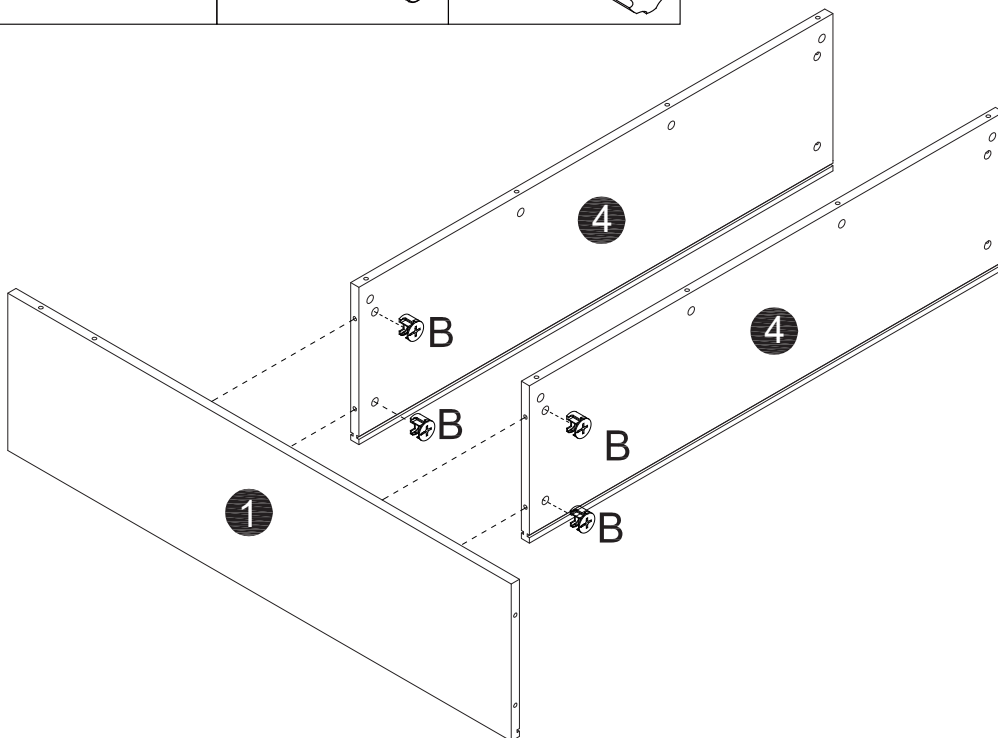


A

M6x35mm
12 pcs

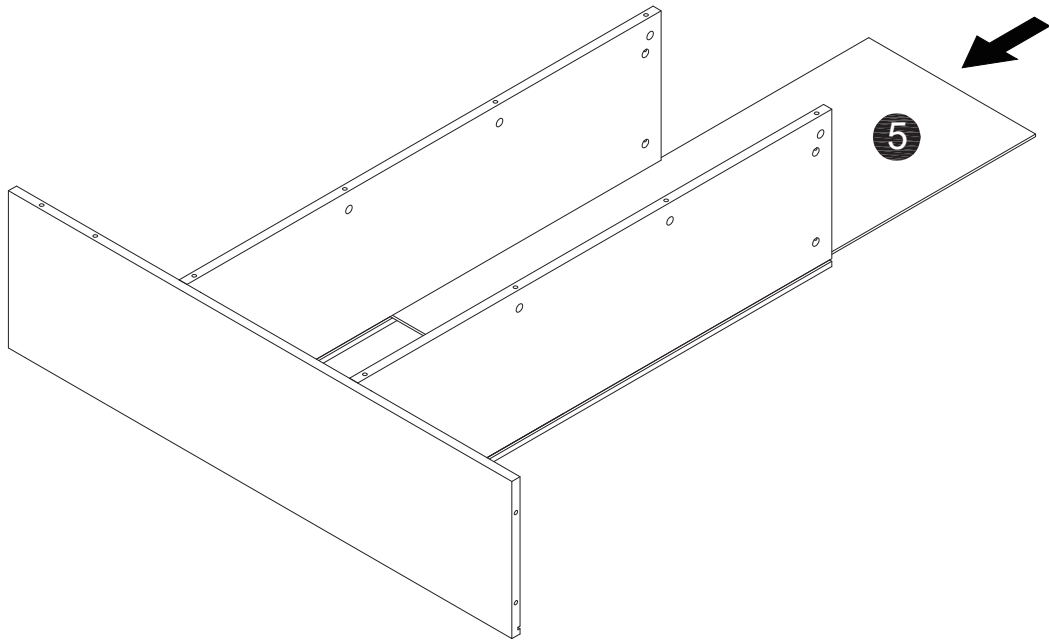
2



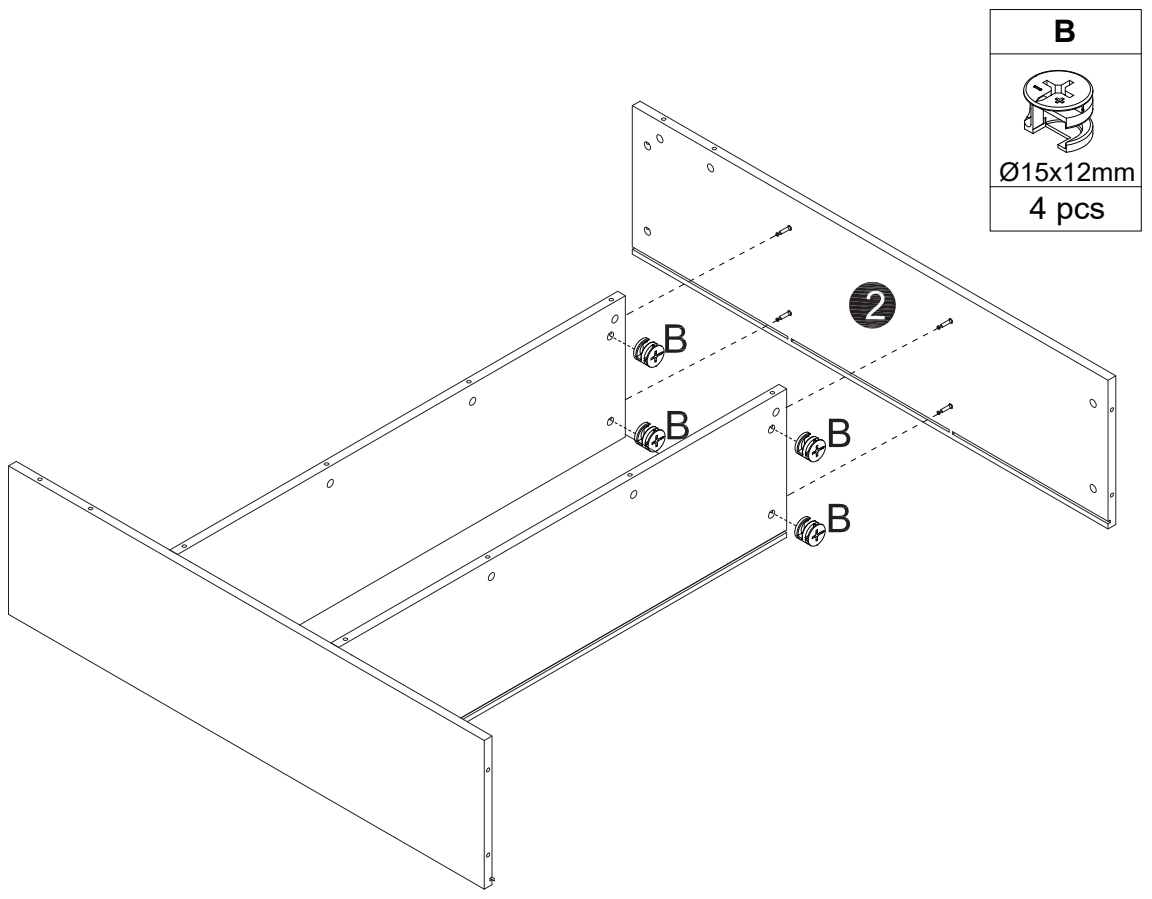
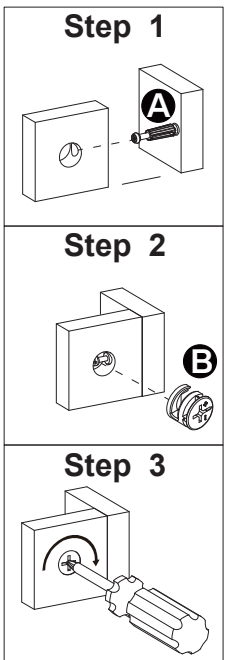
B

Ø15x12mm
4 pcs



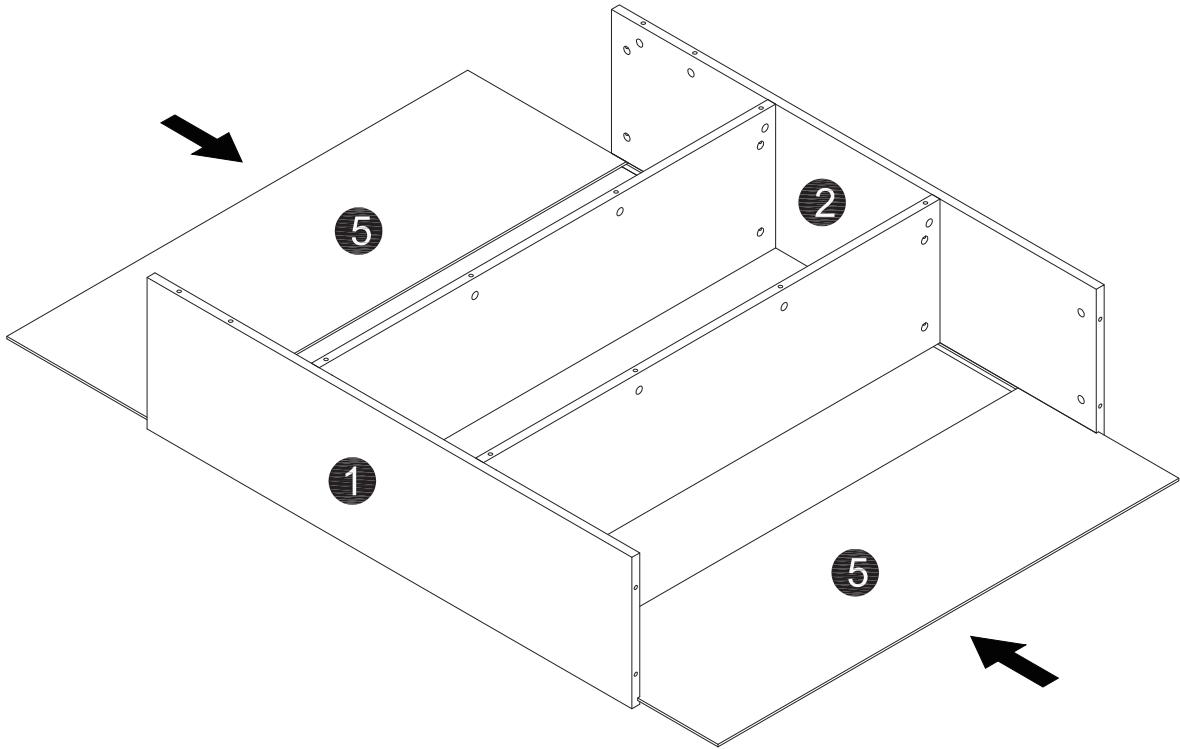
3



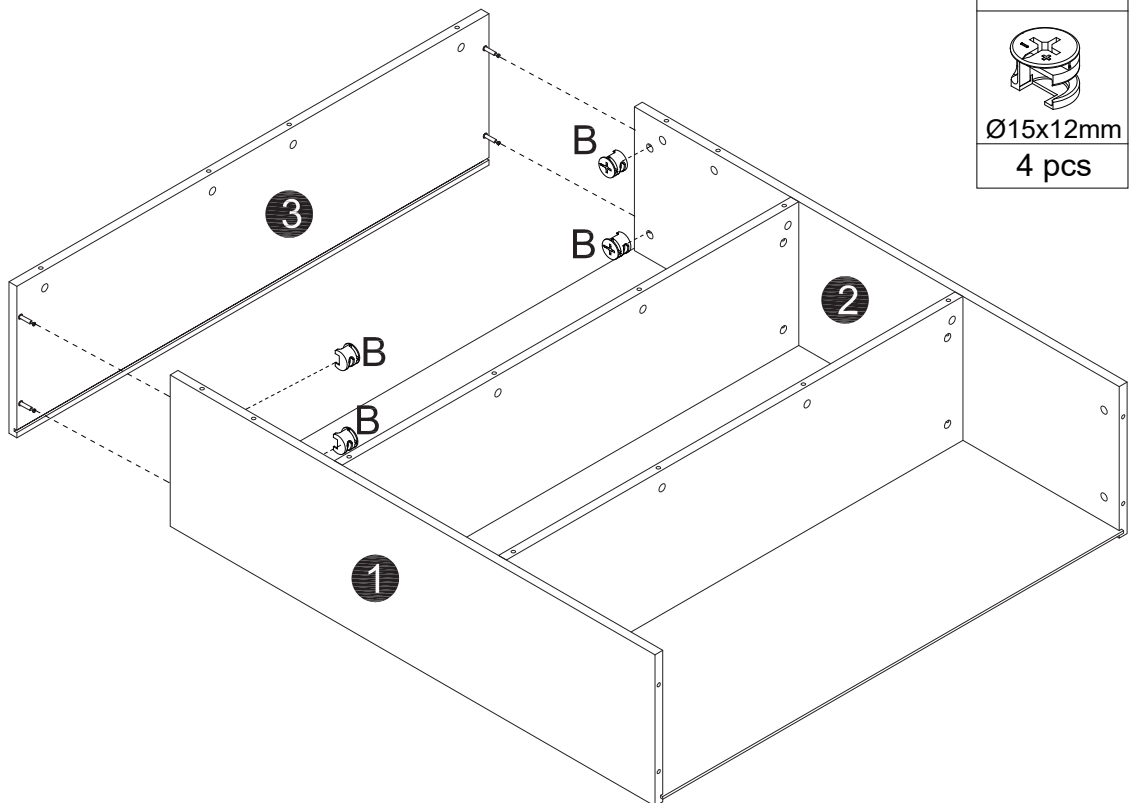
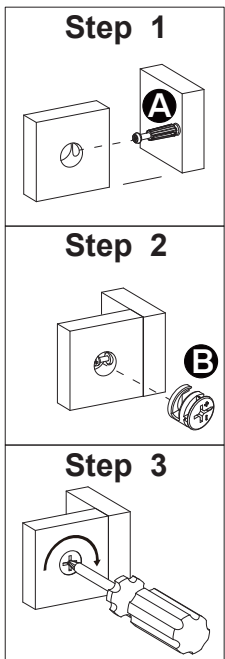
4

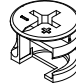


5


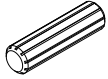


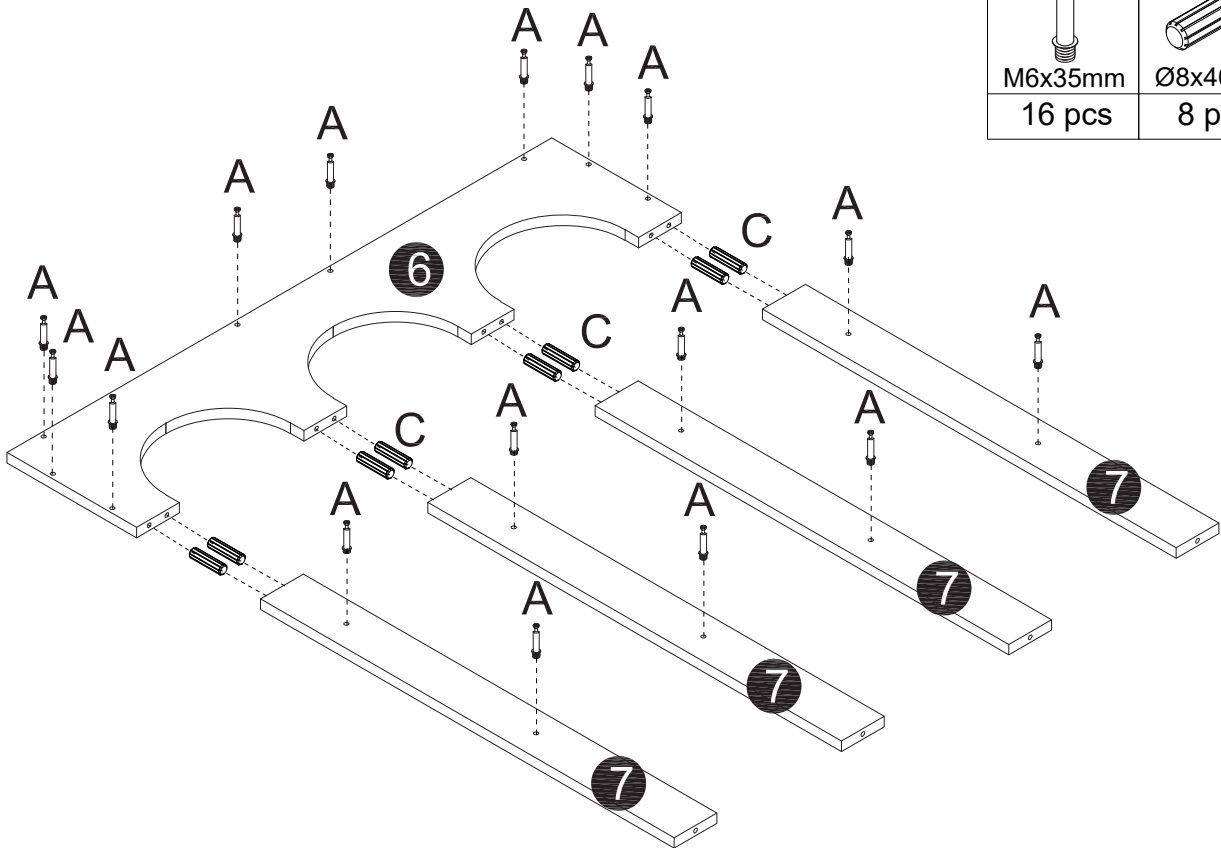
6




B

Ø15x12mm
4 pcs

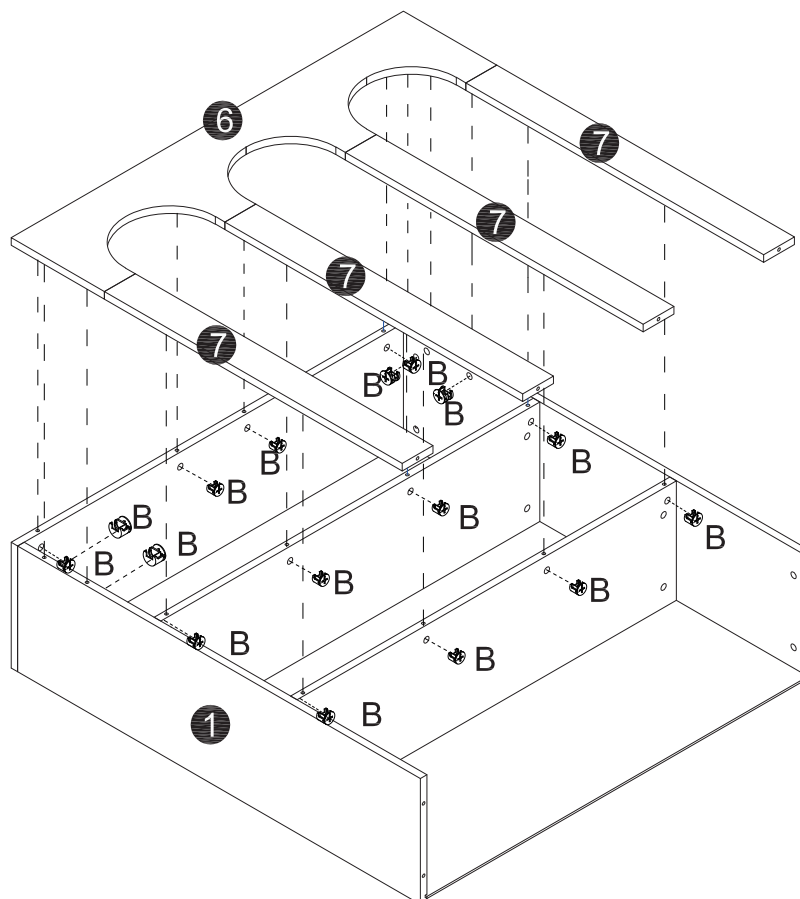
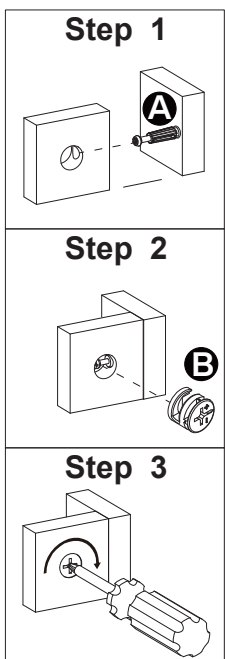
7

A	B
	
M6x35mm 16 pcs	Ø8x40mm 8 pcs

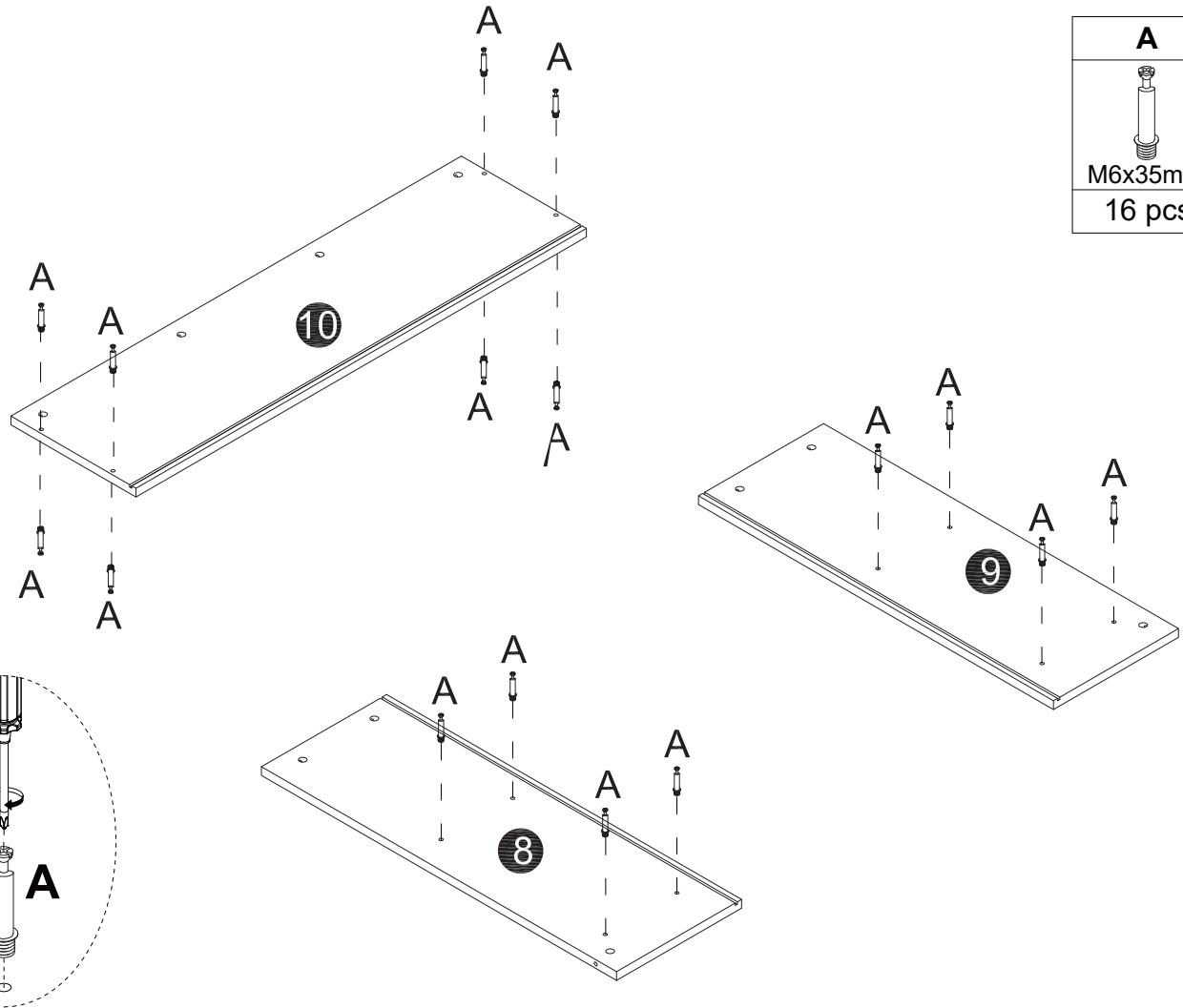


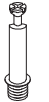
8

B

Ø15x12mm 16 pcs

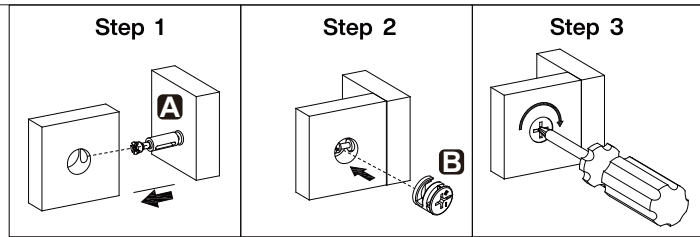


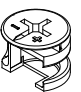
9

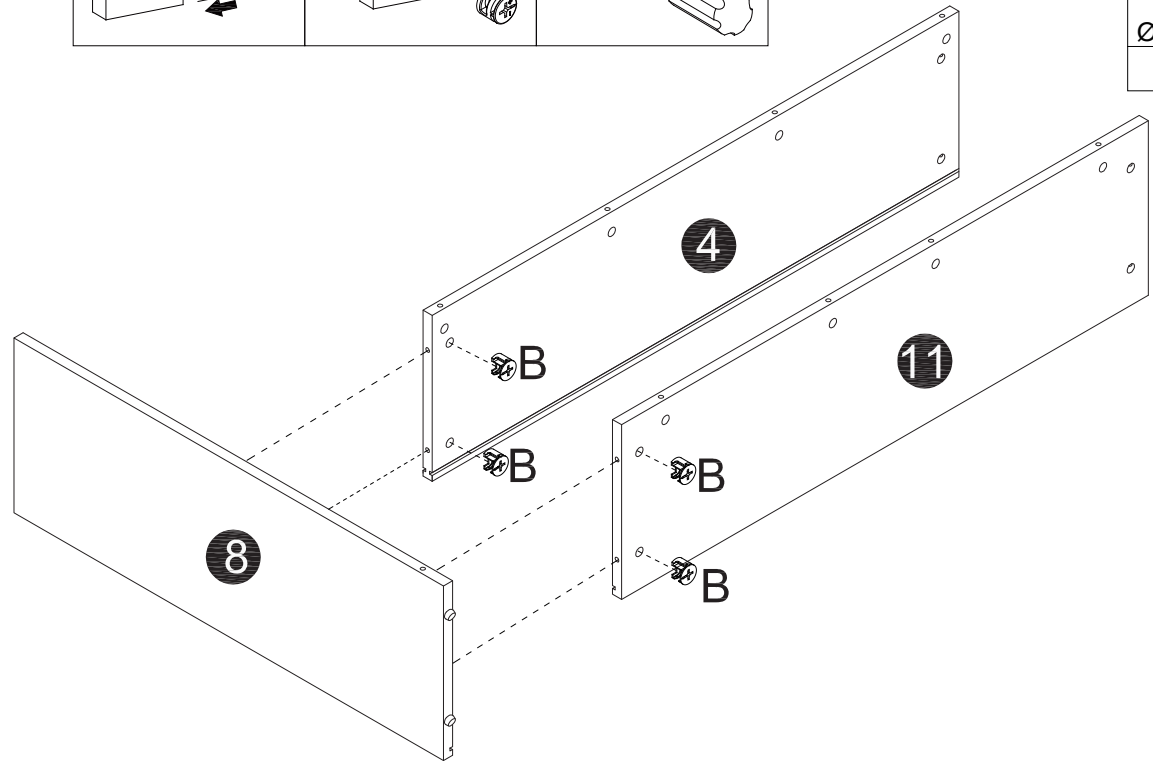


A

M6x35mm
16 pcs

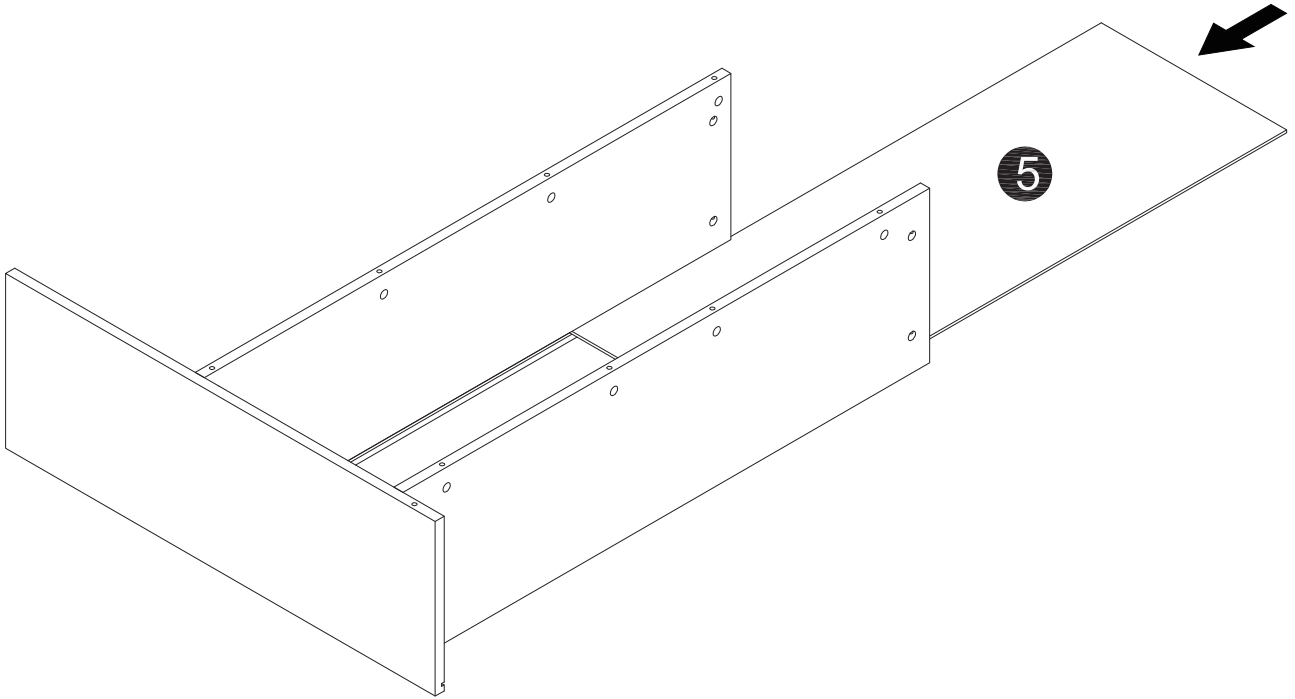
10



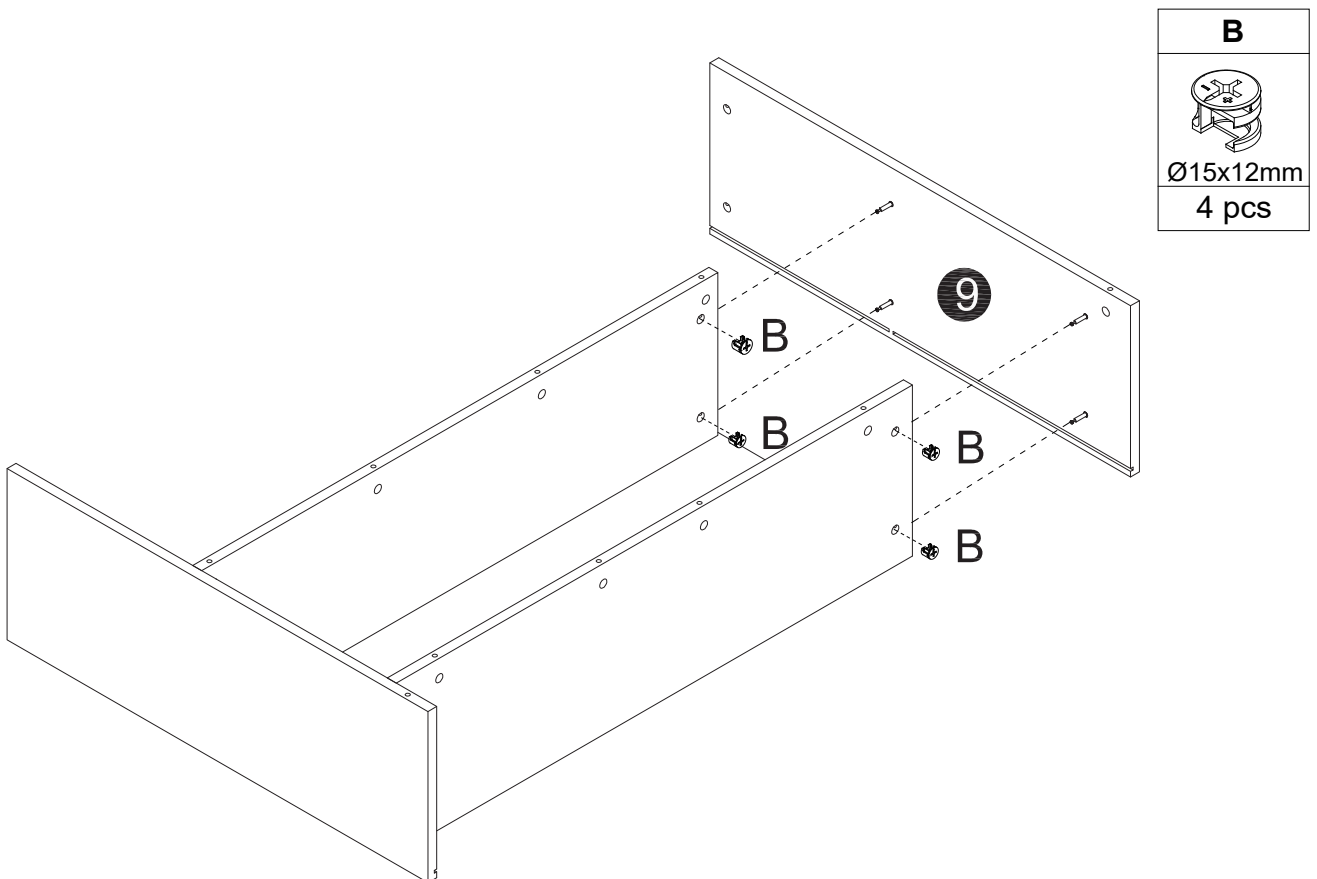
B

Ø15x12mm
4 pcs



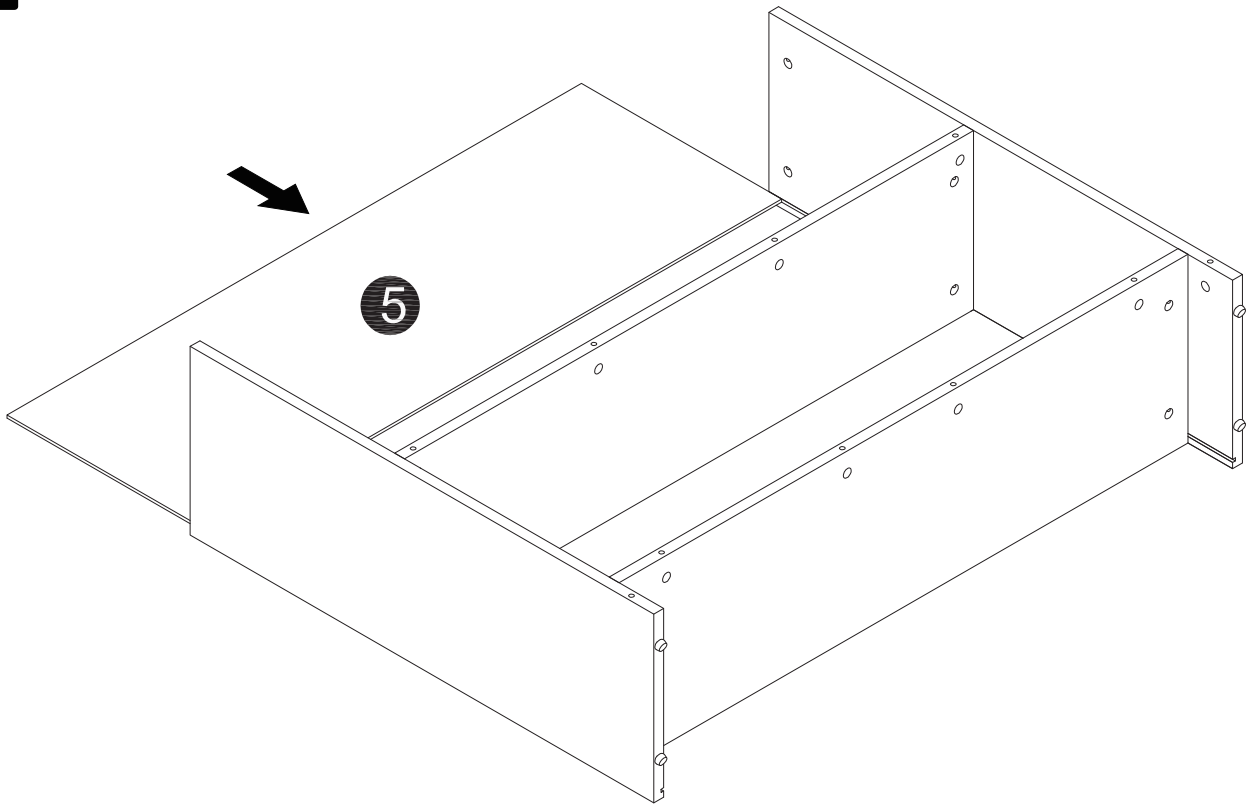
11



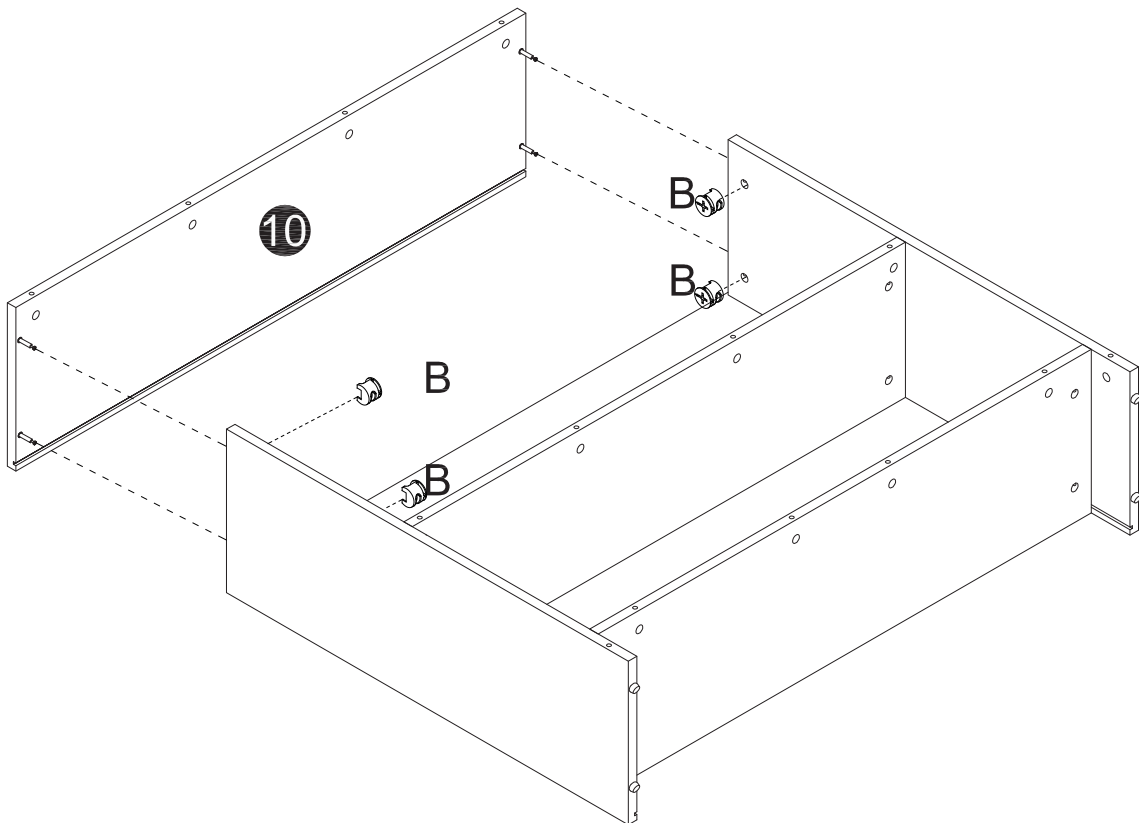
12

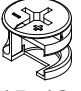


13

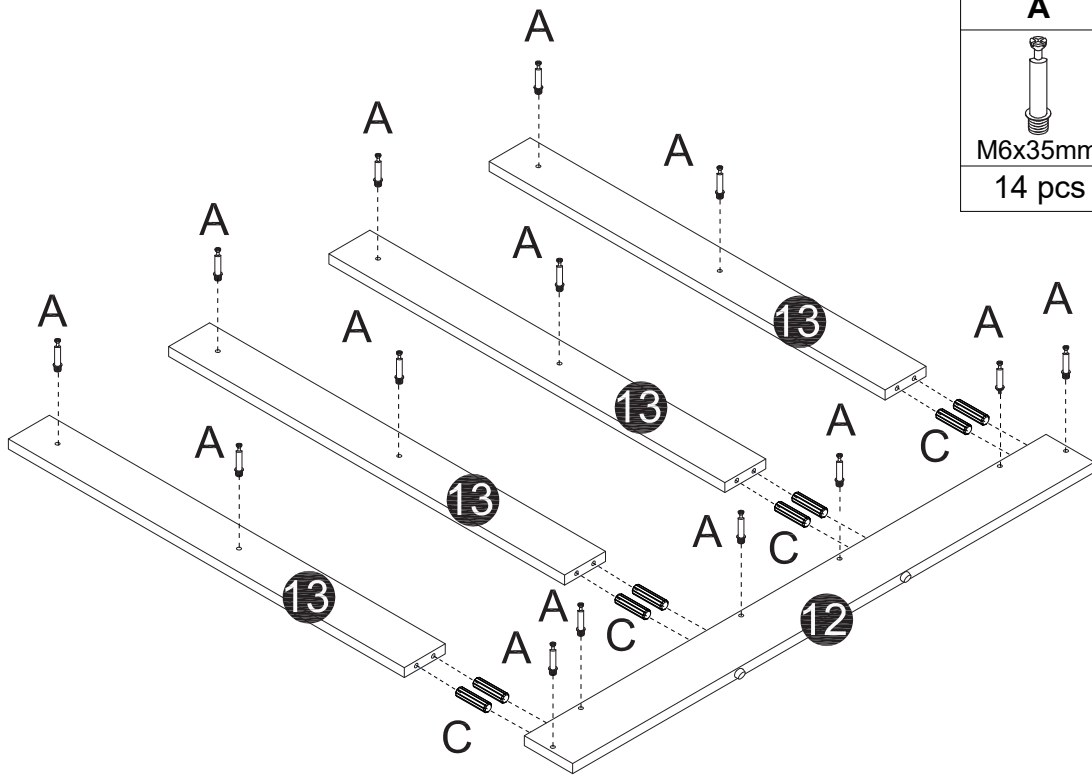



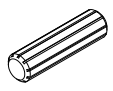
14



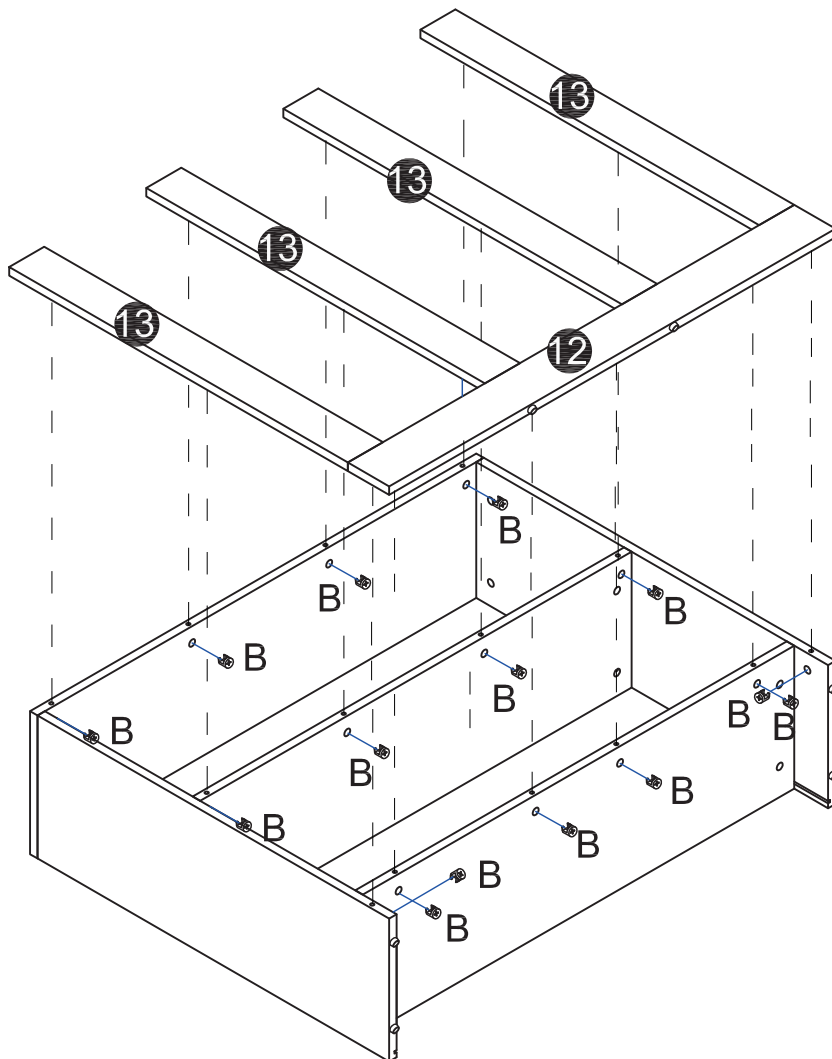
B

Ø15x12mm
4 pcs

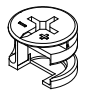
15



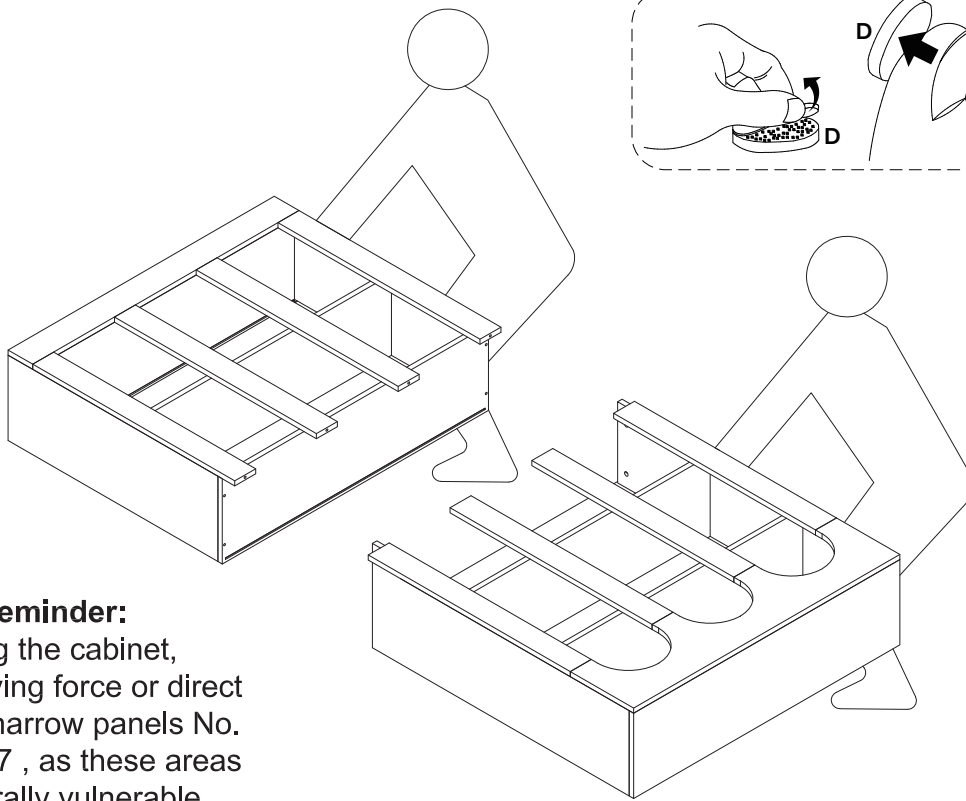
A	B
	
M6x35mm	Ø8x40mm
14 pcs	8 pcs

16



B

Ø15x12mm
14 pcs

17

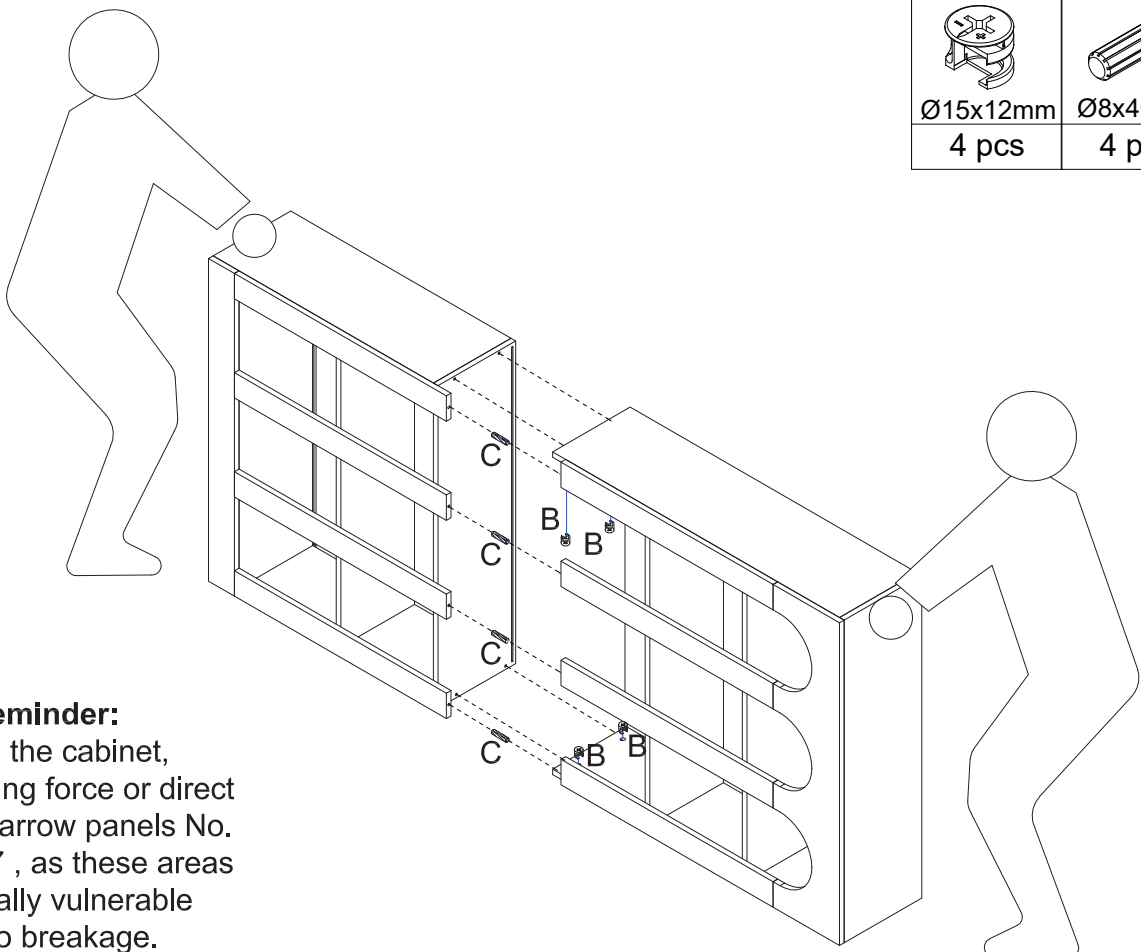


D
58 pcs

Friendly Reminder:

When lifting the cabinet, avoid applying force or direct contact to narrow panels No. 13 and No.7, as these areas are structurally vulnerable and prone to breakage.

18

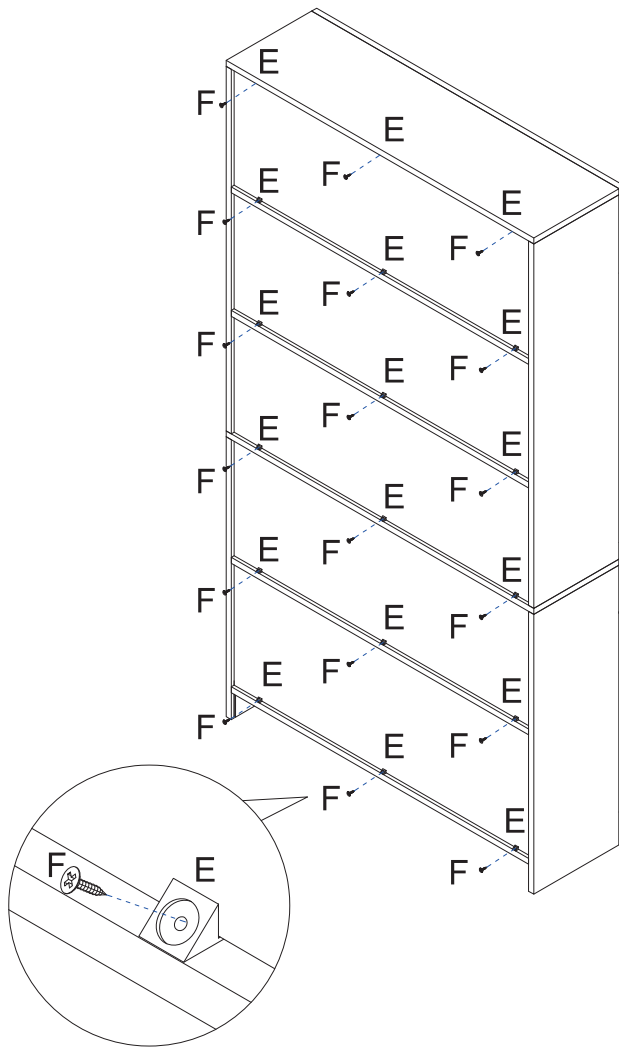


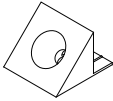

B	C
Ø15x12mm	Ø8x40mm
4 pcs	4 pcs

Friendly Reminder:

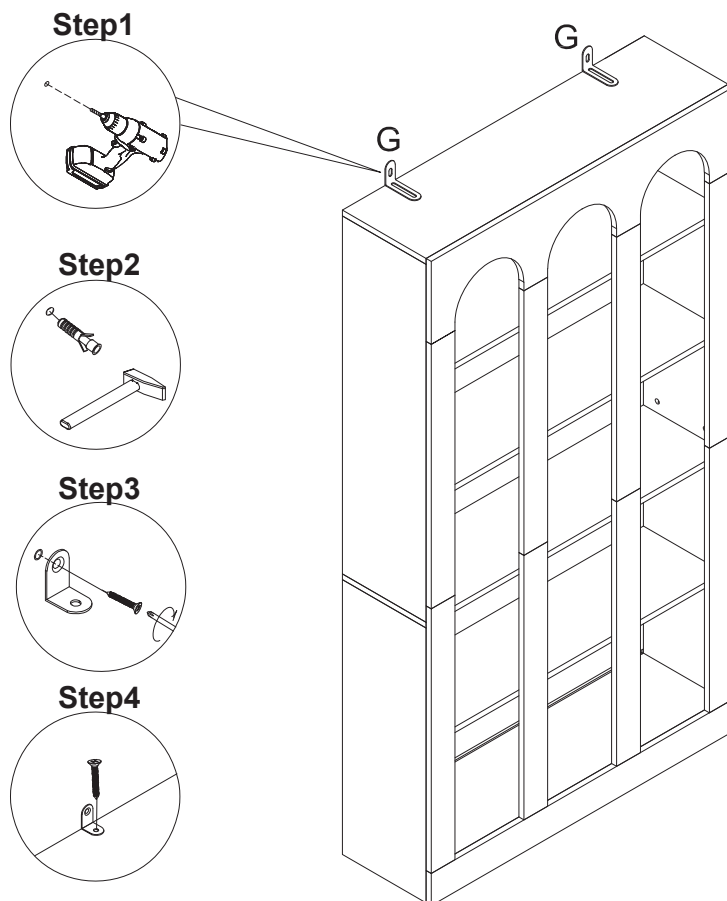
When lifting the cabinet, avoid applying force or direct contact to narrow panels No. 13 and No.7, as these areas are structurally vulnerable and prone to breakage.


19



E	F
	
18 pcs	18 pcs

20



G

2 sets

Thank you for your support!

