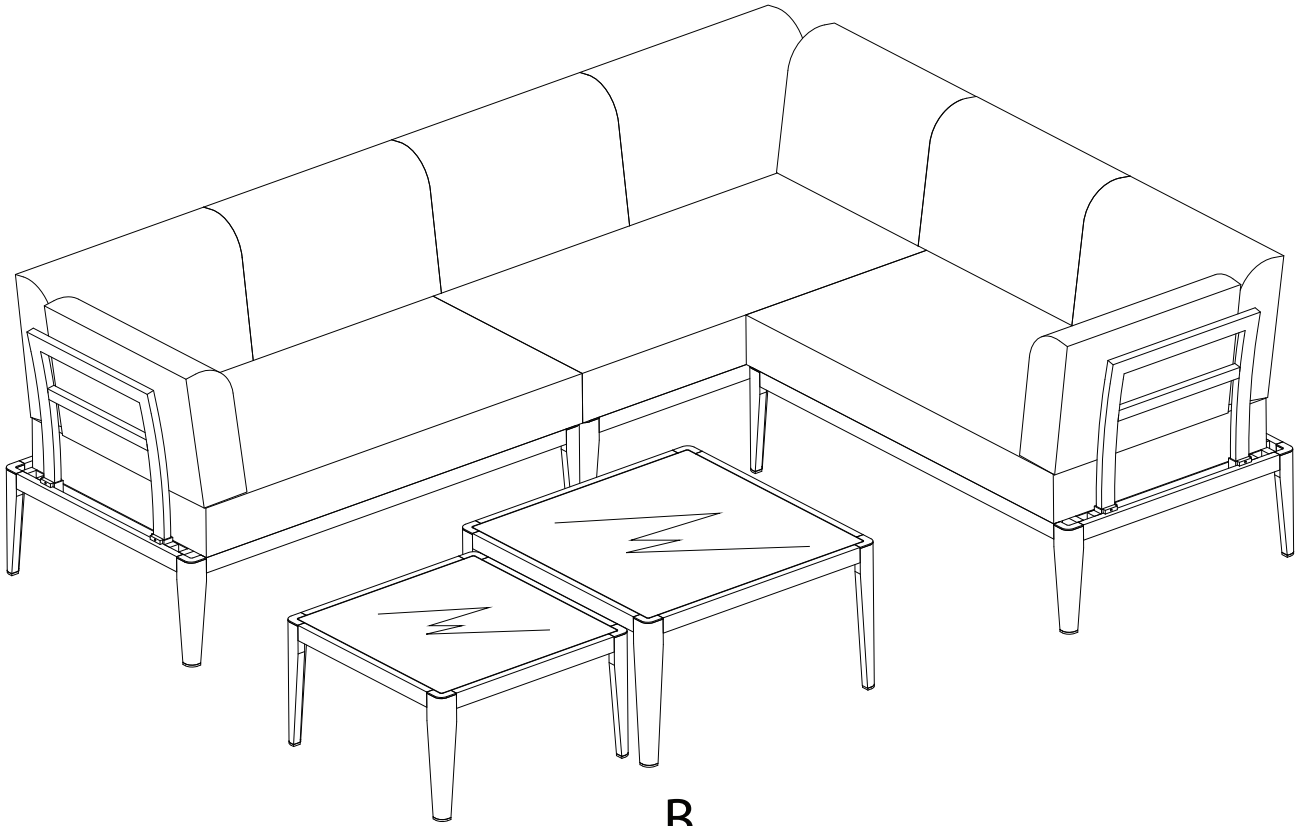


A

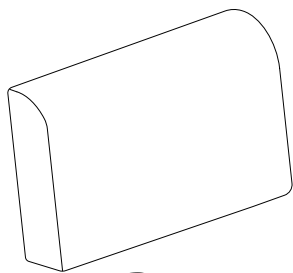
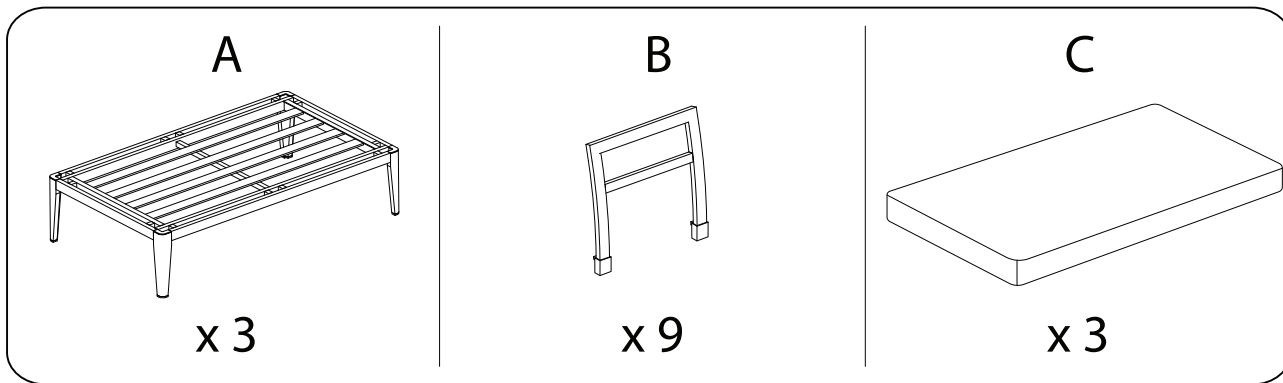


B

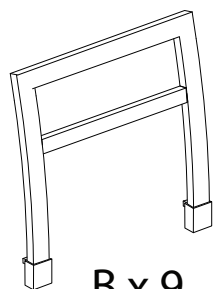
Diagram illustrating safety and assembly instructions:

- Top Left:** A warning triangle with an exclamation mark is positioned above a rectangular box containing a crossed-out power drill icon, indicating that power tools should not be used.
- Top Right:** A clock icon with the text "30'" below it, indicating a 30-minute time limit for the assembly step.
- Bottom Left:** A warning triangle with an exclamation mark is positioned above a rectangular box containing two diagrams of a rectangular block. The left diagram shows the block on a textured surface, and the right diagram shows the block on a smooth surface with a crossed-out arrow pointing to it, indicating that the block should be placed on a soft surface.
- Bottom Right:** An icon of a person with the number "1" below it, indicating that one person is required for the assembly step.

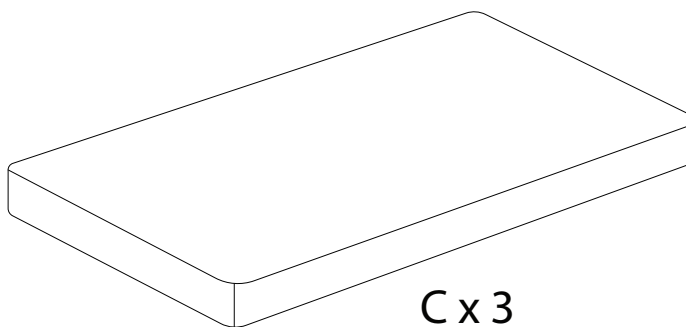
A



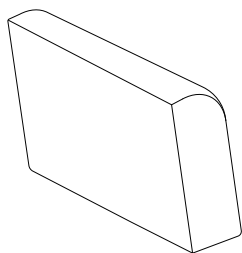
D x 6



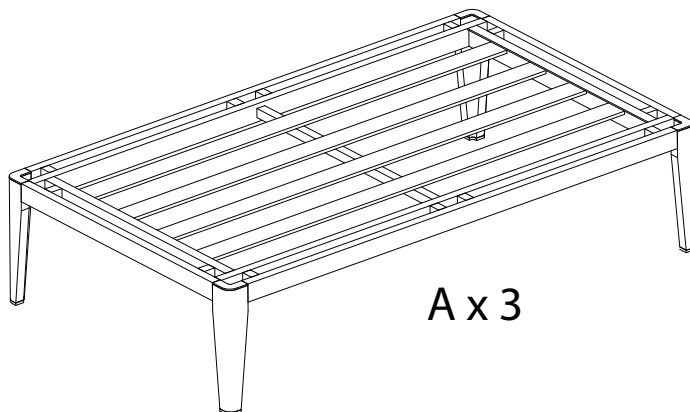
B x 9



C x 3

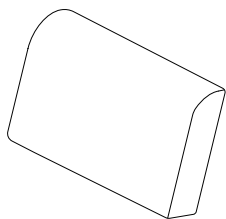


E x 3



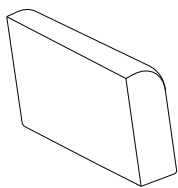
A x 3

D



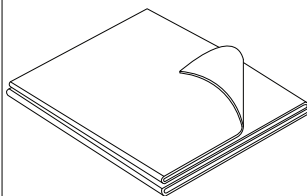
x 6

E



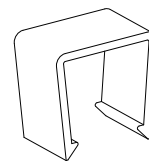
x 3

F



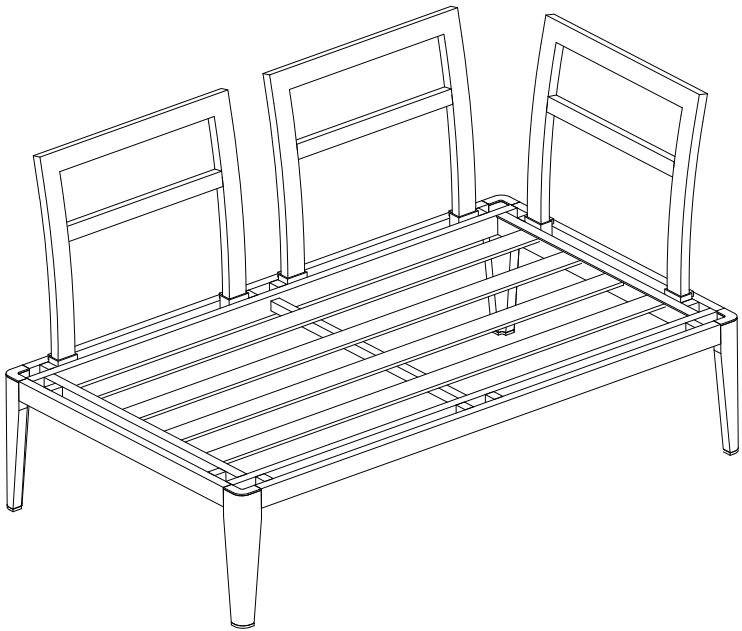
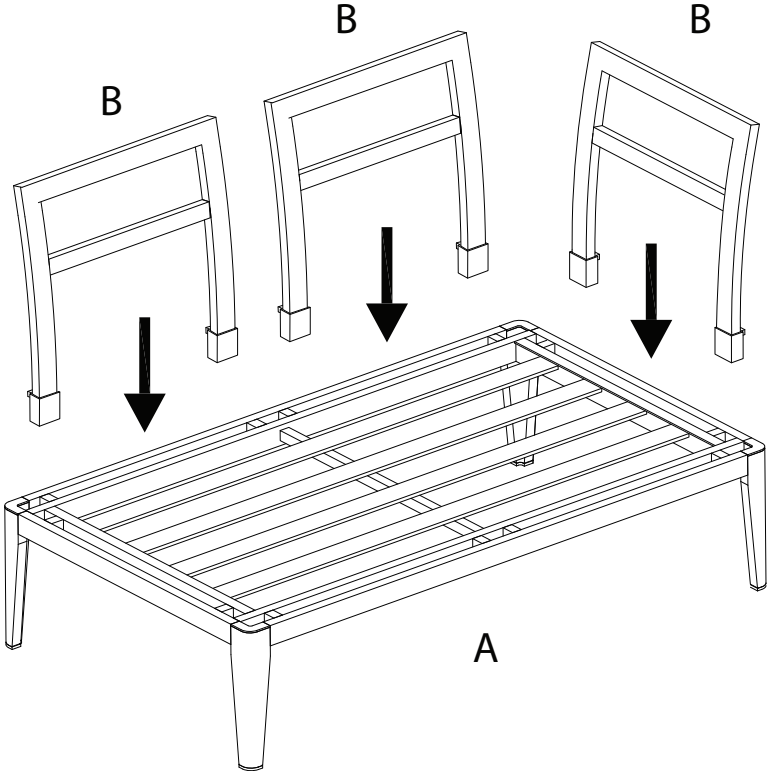
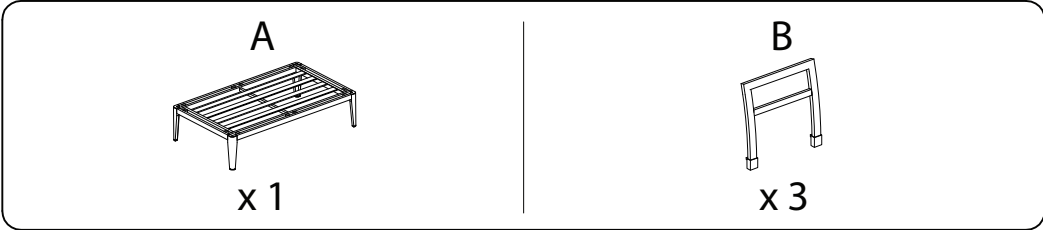
x 6

G

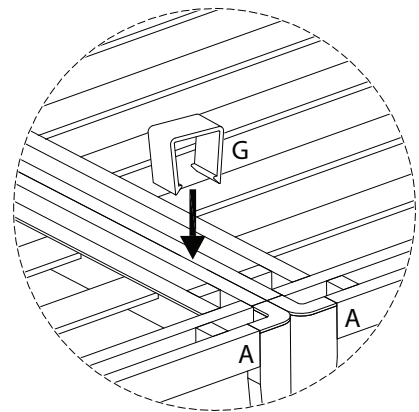
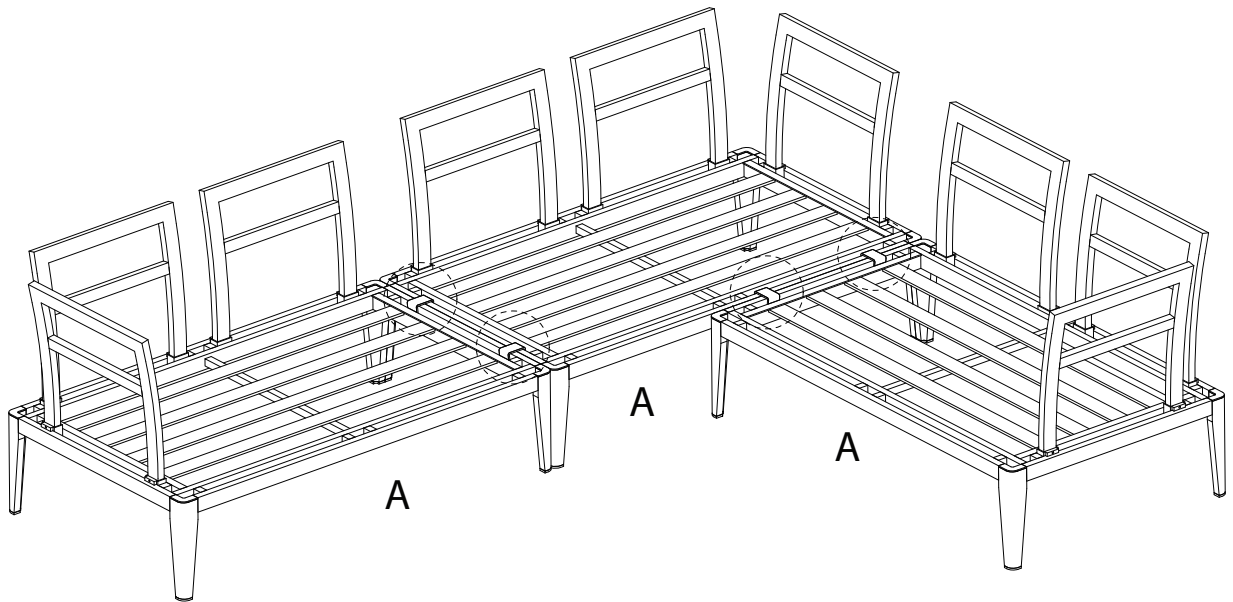
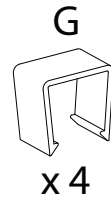


x 4

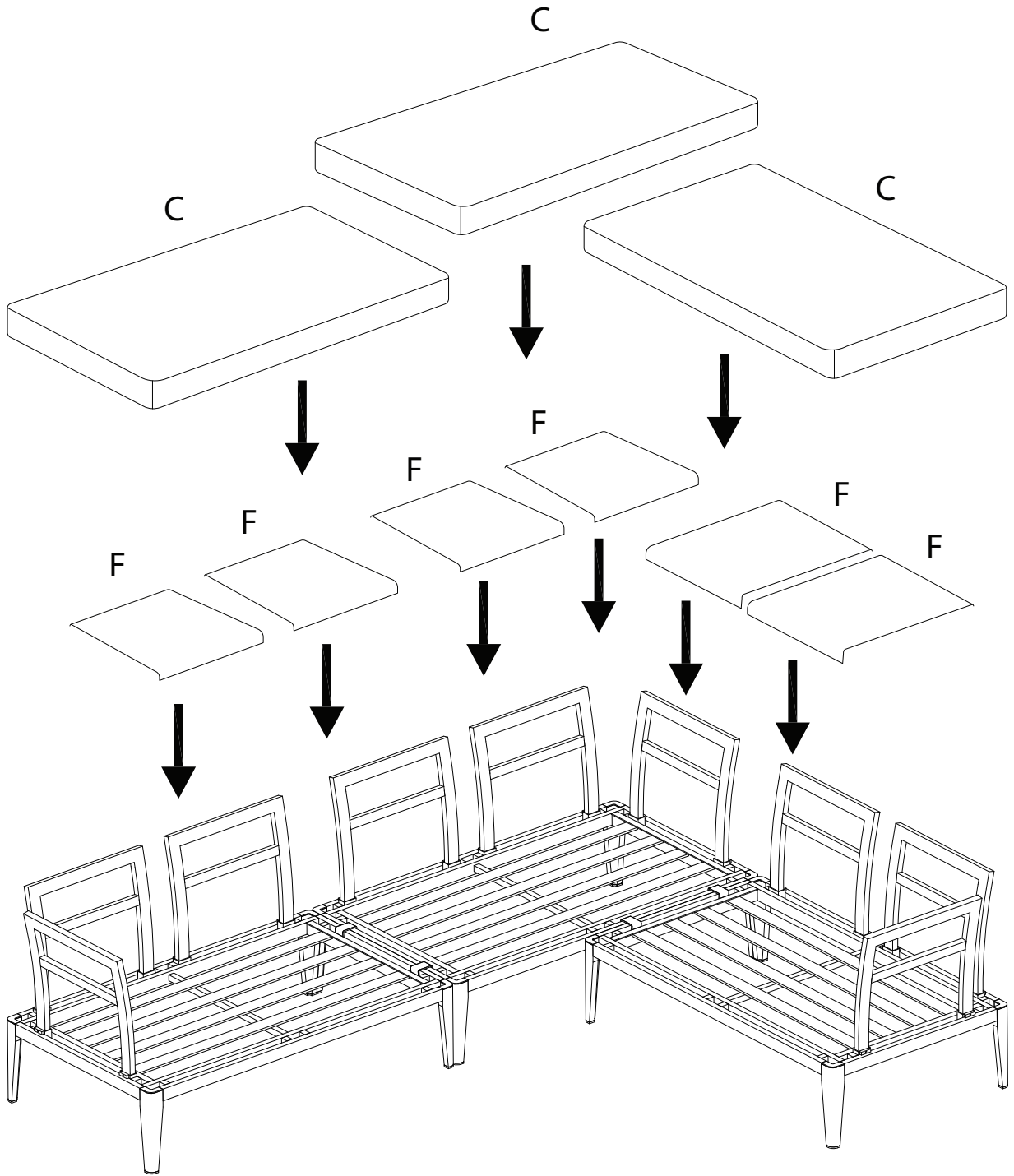
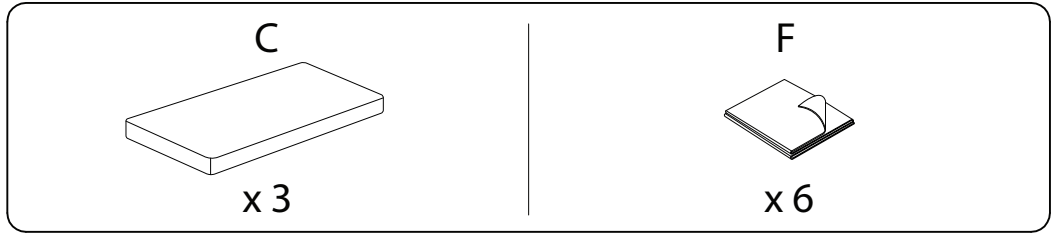
1 x 3



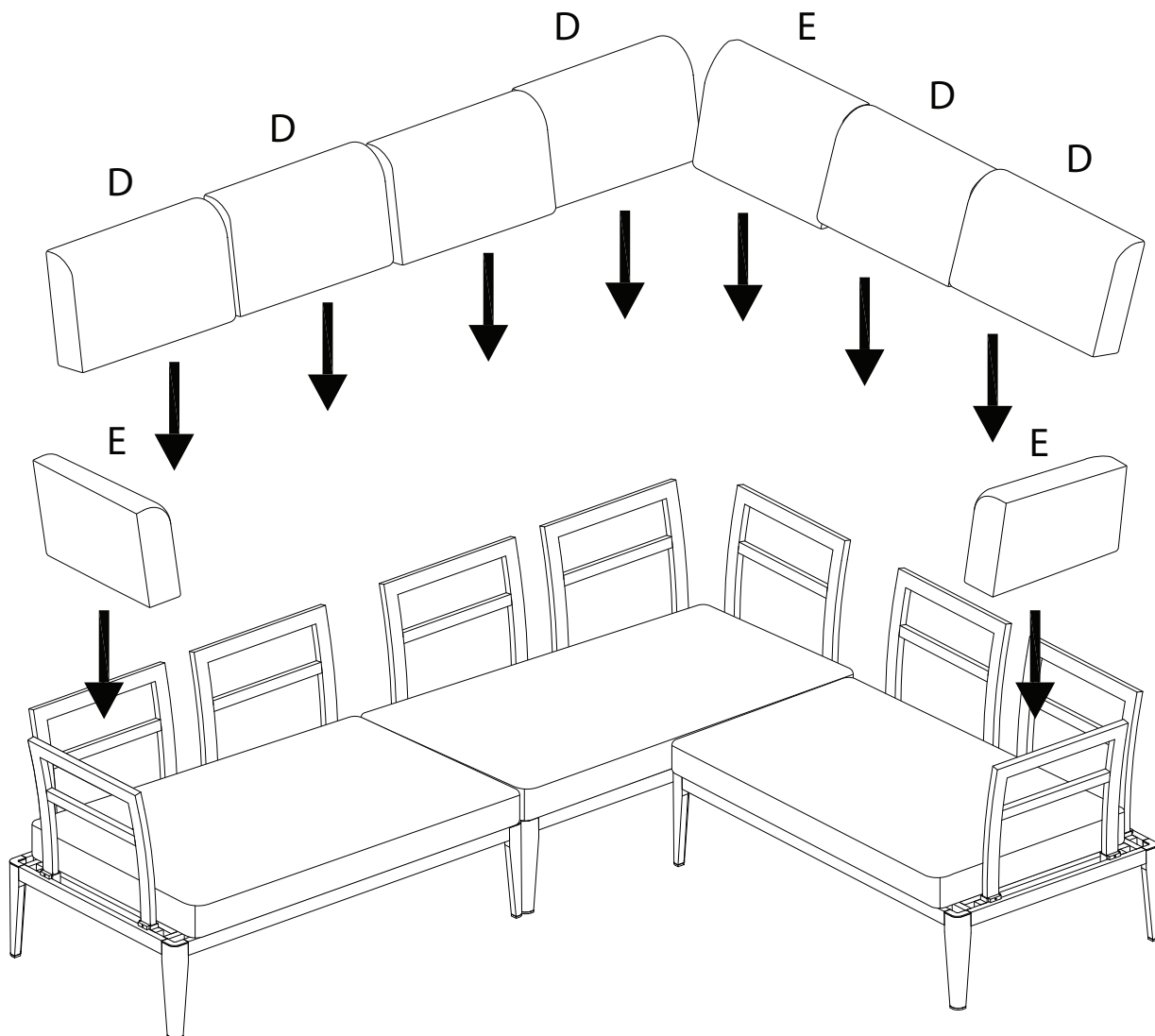
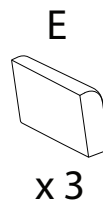
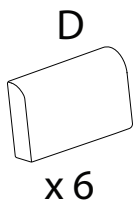
2



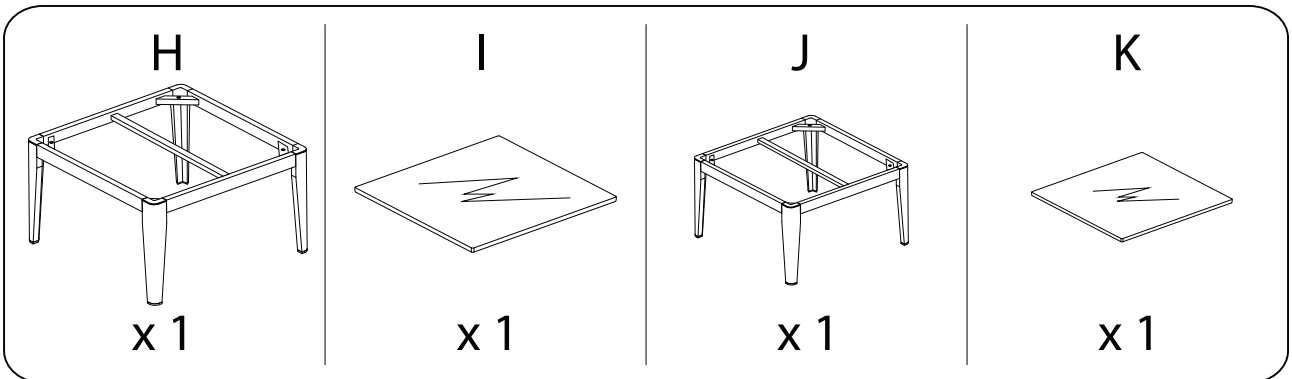
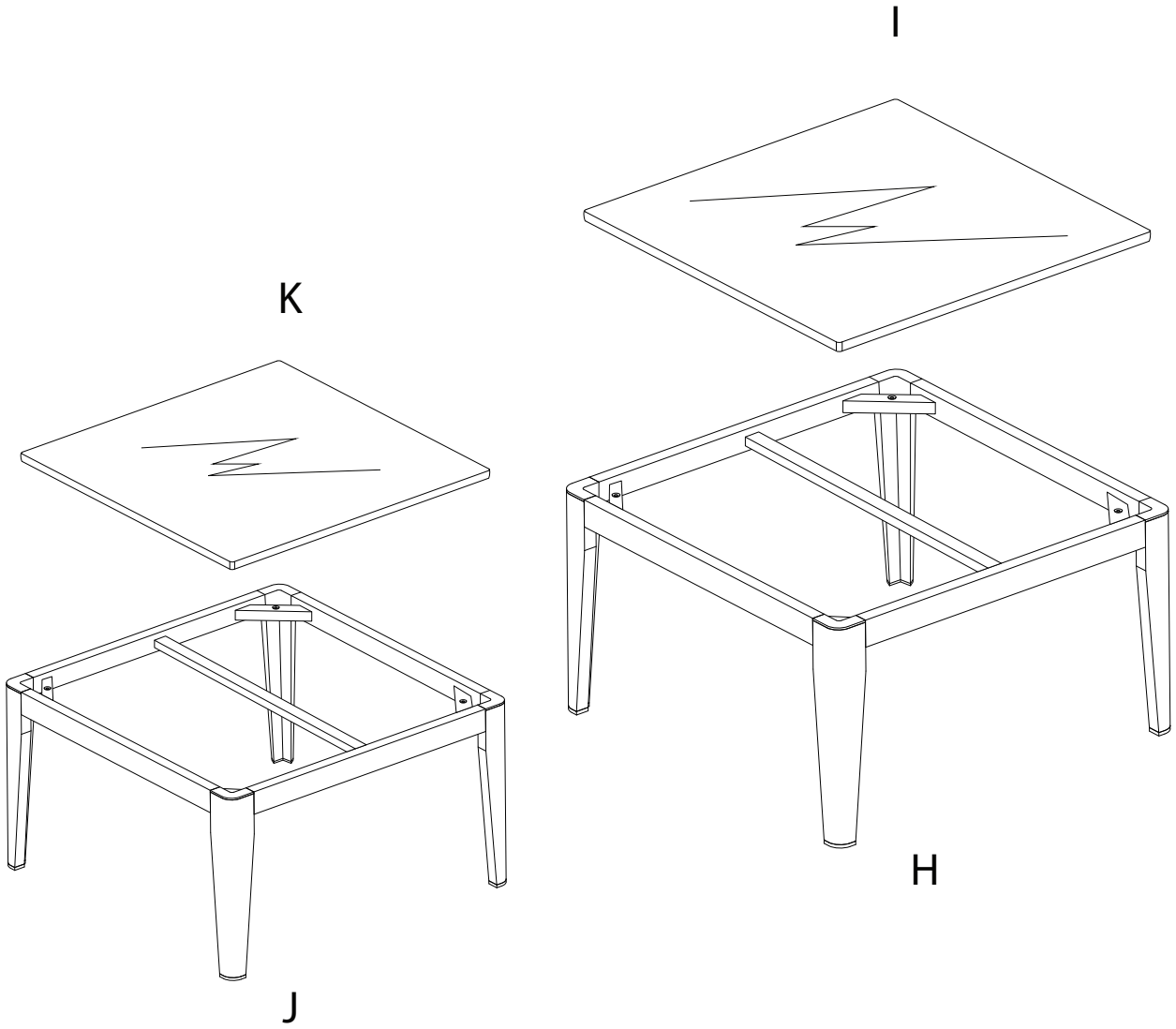
3



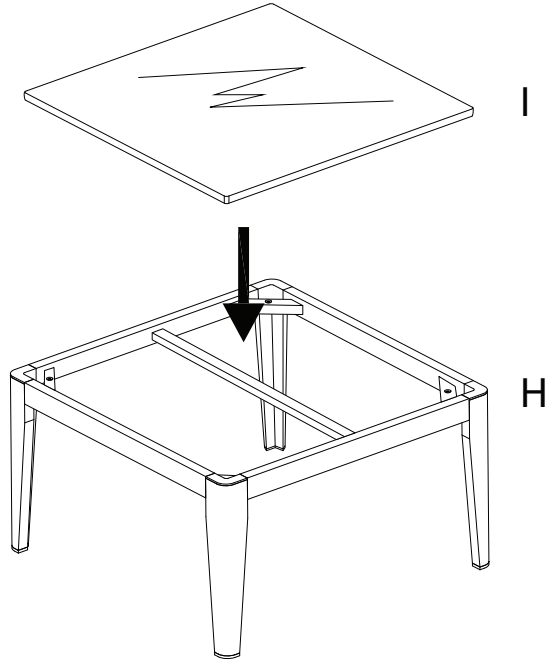
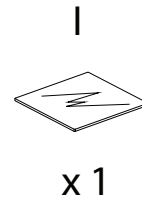
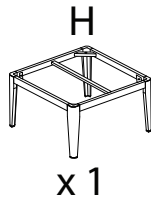
4



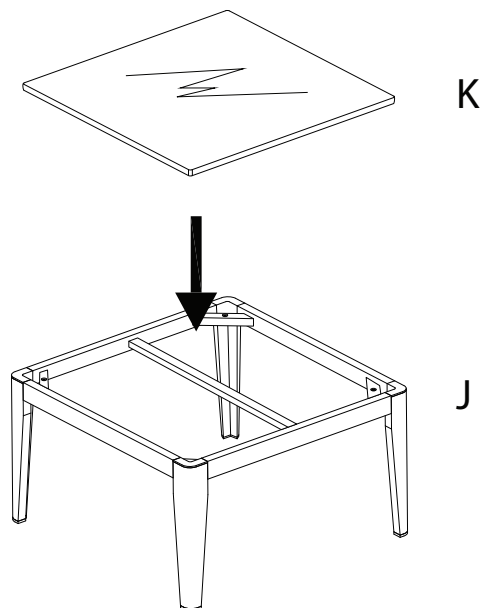
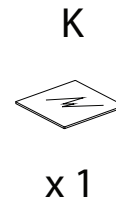
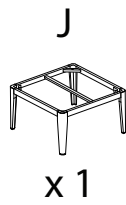
B



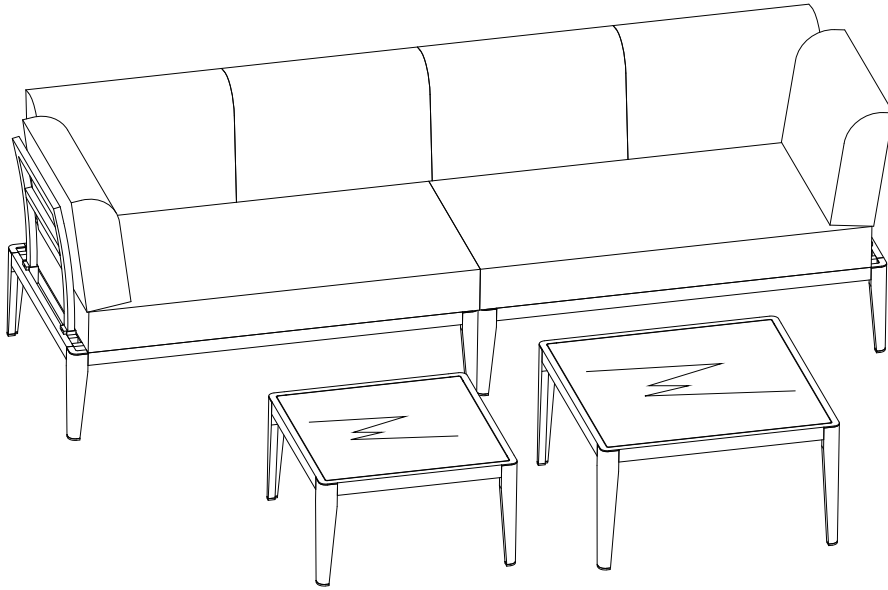
1



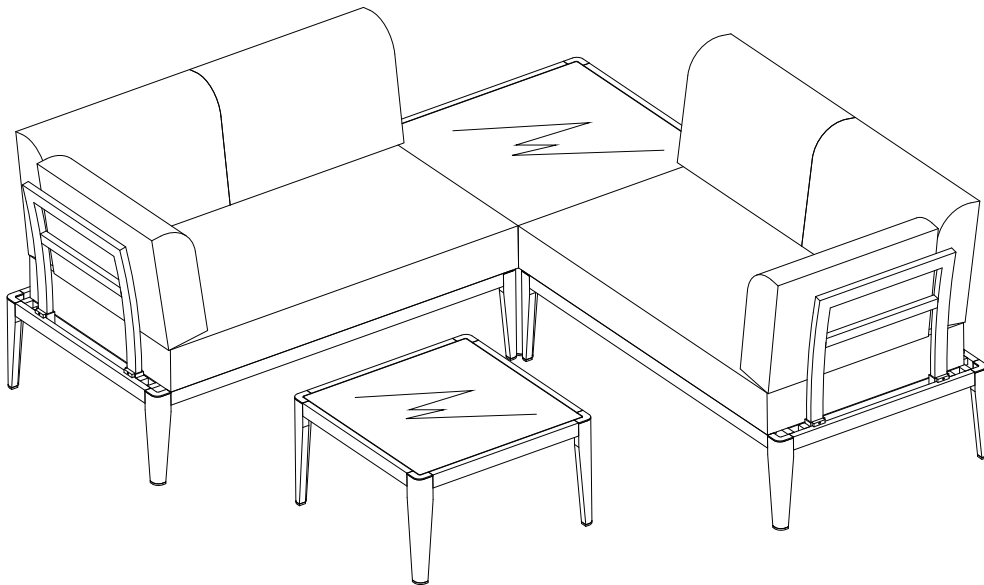
2



!



!



!

