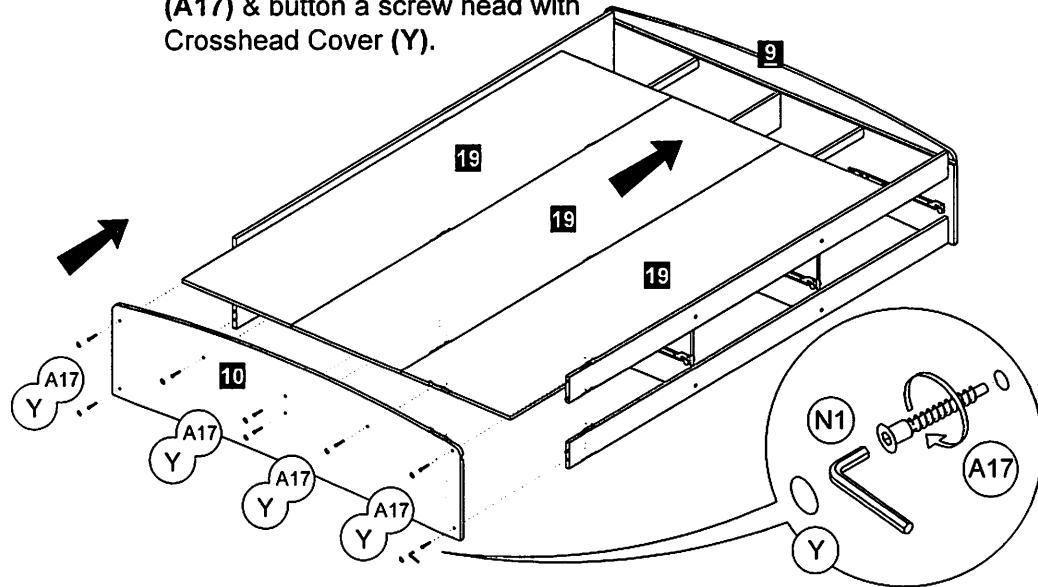
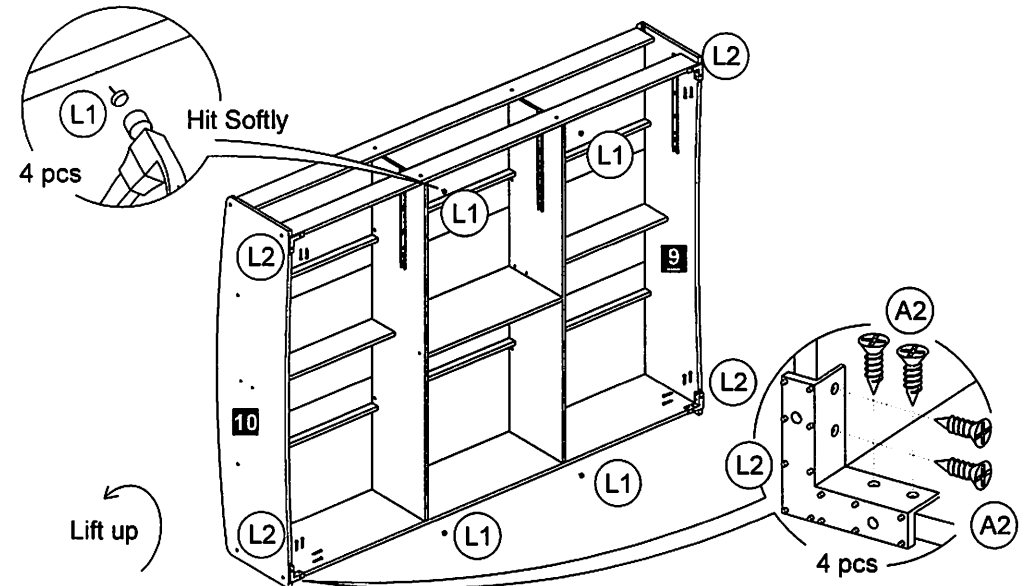


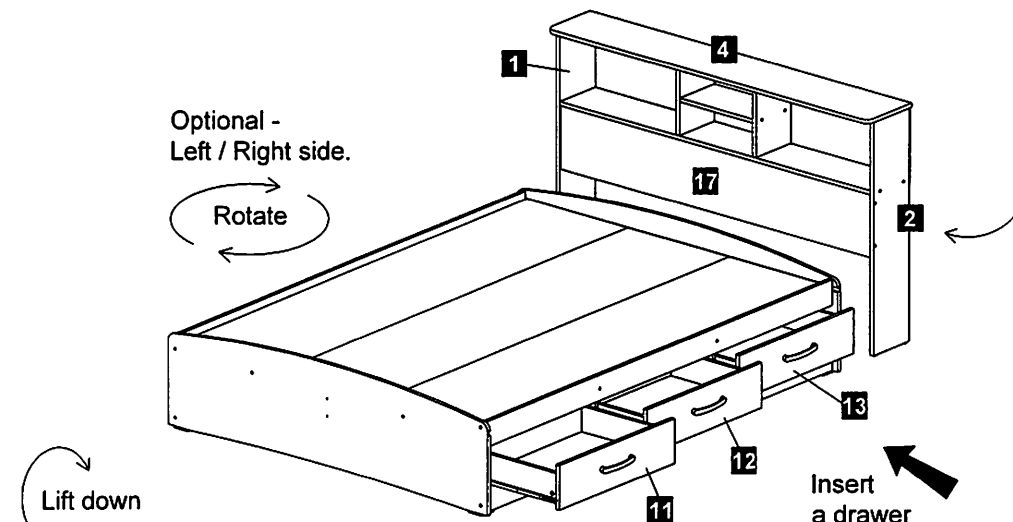
STEP 9 Slide panel no. 19 until groove at panel no. 9. Then attach panel no. 10. Use Allen Key (N1) to tighten a Crosshead Screw m6.3 x 40mm (A17) & button a screw head with Crosshead Cover (Y).



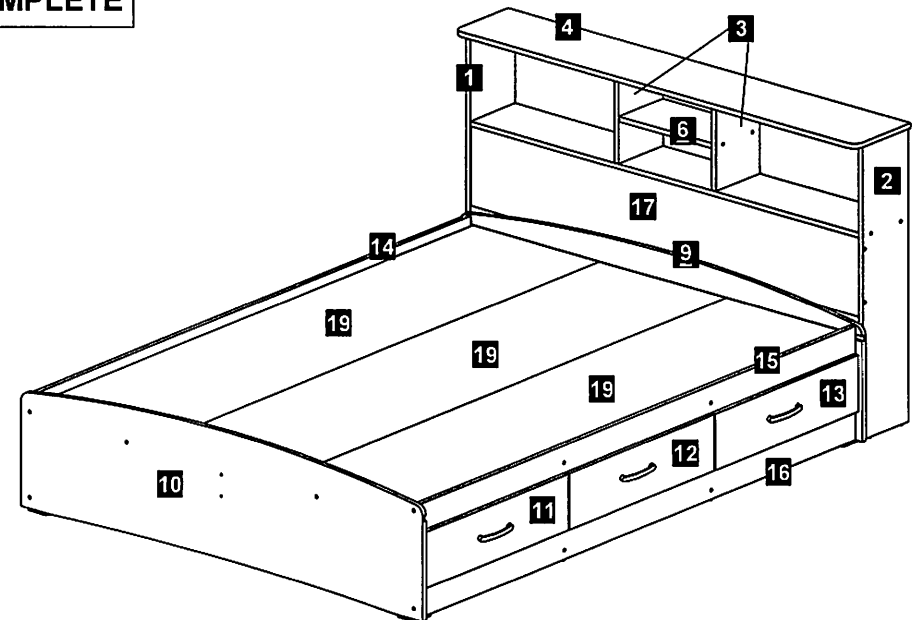
STEP 10 Screw the Plastic Leg L Shape (L2) at panel no. 9, 10 & between 2 side panel. Nail the Leg Pin (L1) at bottom side panel.



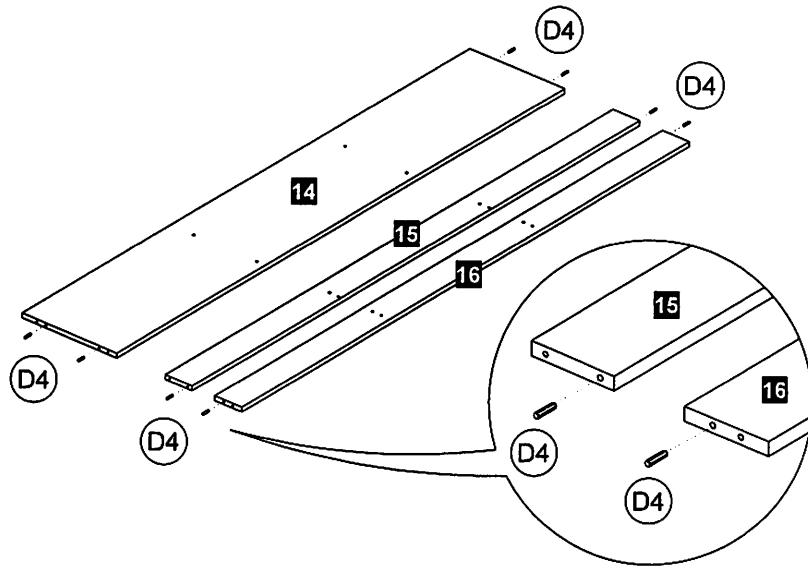
STEP 11 Insert 3 sets of drawer (left, middle & right drawer). Finally, attach a headboard at behind a bed. The drawer position is optional to face at left or right side.



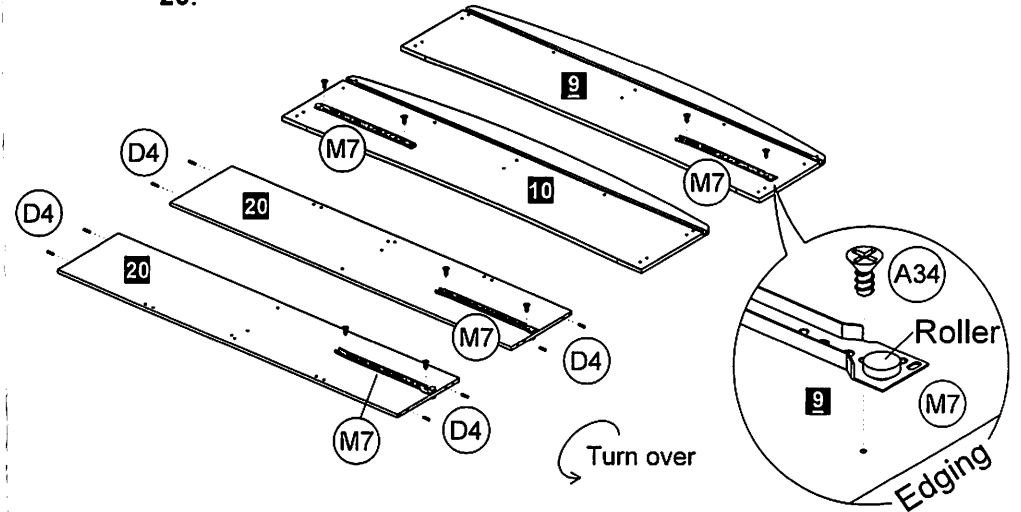
COMPLETE



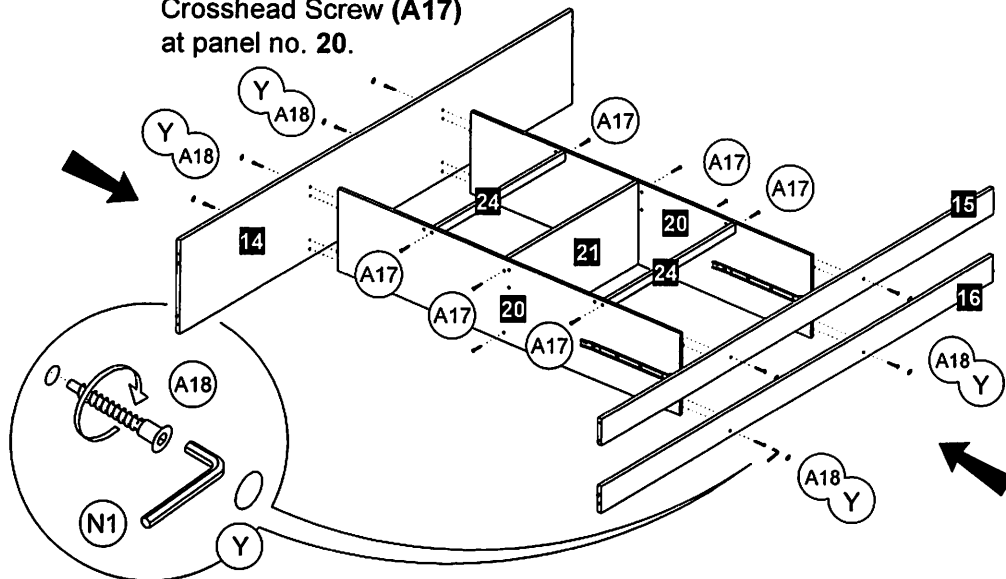
STEP 5 Insert the Wood Dowel 6 x 25mm (D4) at panel no. 14 , 15 & 16.



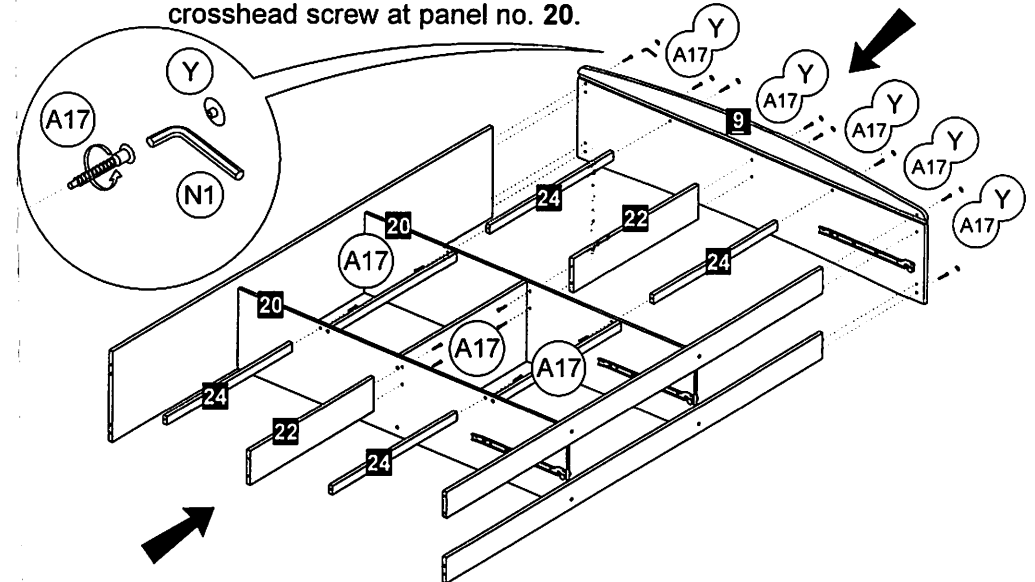
STEP 6 Use Euro Screw (A34) to assemble the Drawer Metal Slide 400mm (M7) at marking holes panel no. 9, 10 & both side at panel no. 20 (2 pcs). Insert the Wood Dowel 6 x 25mm (D4) at both side at panel no. 20.



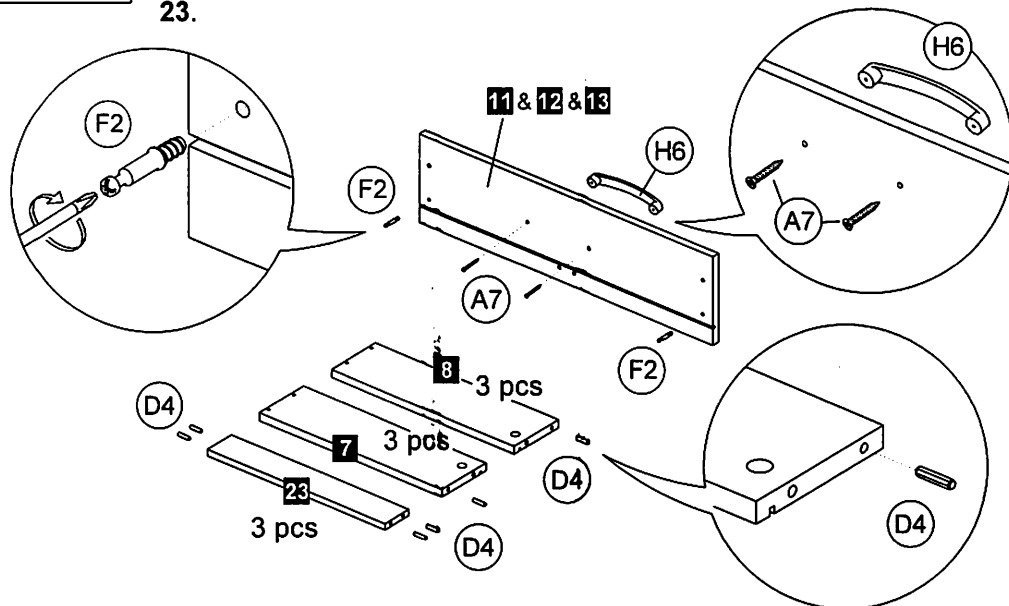
STEP 7 Use Allen Key (N1) to tighten a Crosshead Screw m6.3 x 50mm (A18). Button a screw head with Crosshead Cover (Y) except Crosshead Screw (A17) at panel no. 20.



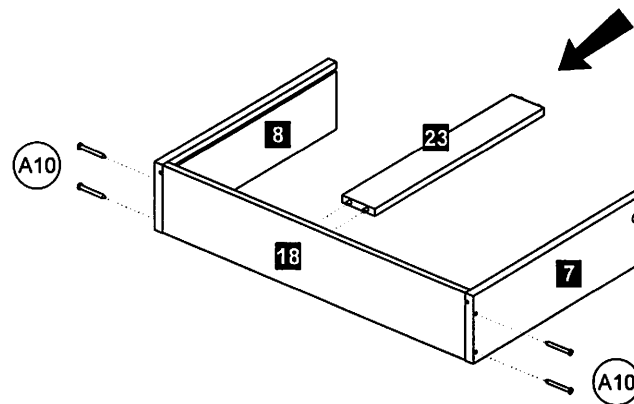
STEP 8 Use Allen Key (N1) to tighten a Crosshead Screw m6.3 x 40mm (A17) & button a screw head with Crosshead Cover (Y) except crosshead screw at panel no. 20.



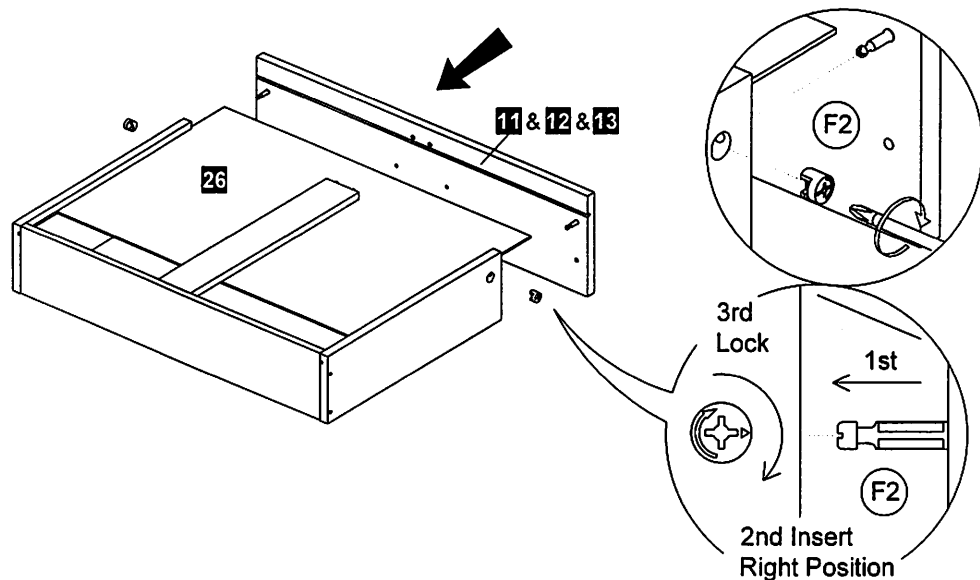
STEP 1 Assemble those all hardware below at panel no. 7, 8, 11, 12, 13 & 23.



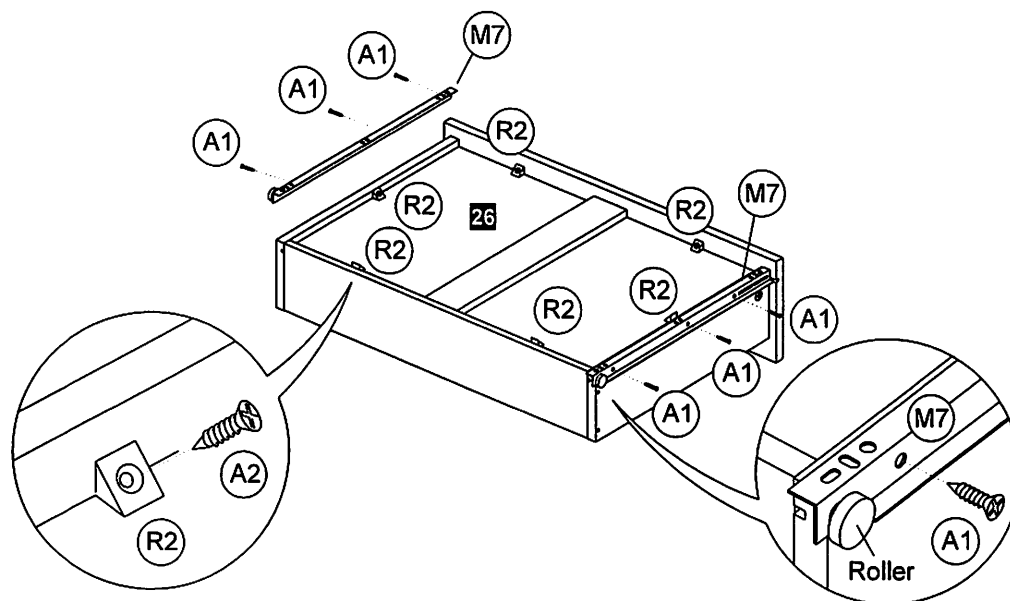
STEP 2 Assemble 3 sets of drawer in repeated at step 2.



STEP 3 Slide bottom panel no. 26 along the groove until end. Assemble 3 sets drawer head panel with using Mini Fix 15mm (F2).



STEP 4 Assemble 3 sets of drawer in repeated at step 4.



Reference Screw Size.

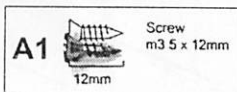
Place your screw on top to identify the size

A1

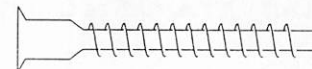


12mm

Screw
m3.5 x 12mm

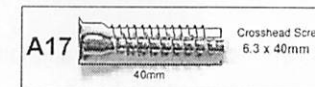


A17

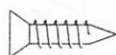


40mm

Crosshead Screw
6.3 x 40mm

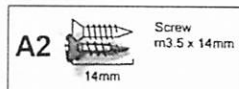


A2

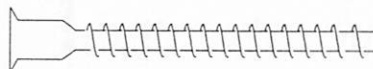


14mm

Screw
m3.5 x 14mm

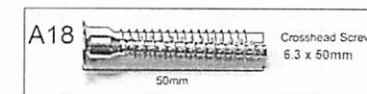


A18

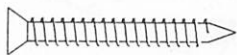


50mm

Crosshead Screw
6.3 x 50mm

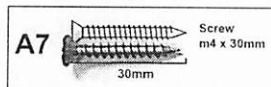


A7



30mm

Screw
m4 x 30mm

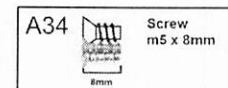


A34

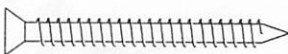


8mm

Euro Screw
m5 x 8mm

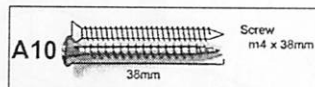


A10



38mm

Screw
m4 x 38mm



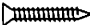
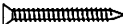
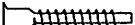
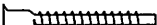

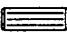
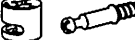





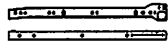



Before you begin, please follow assembly instruction carefully, then follow step by step.

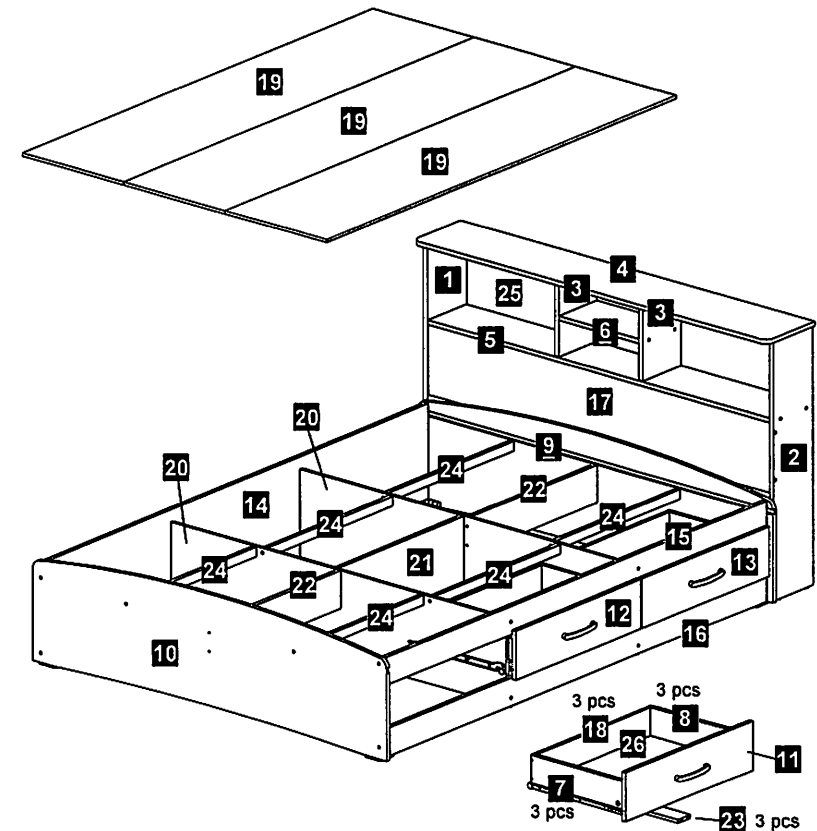
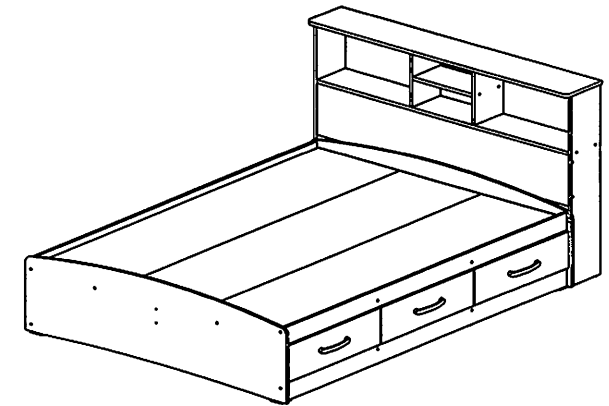
Read instruction carefully. See furniture Parts List and Hardware List for guidance. Be sure you have all parts before you start assembling. Place and assemble furniture on a clean flat soft surface, such as carpet, rug or carton to prevent being scratched.

Reminder :

Please ensure that all surface and edges with colours / laminations are facing forward / outward.

HARDWARE LIST			QTY
A1		Screw m3.5 x 12mm	18
A2		Screw m3.5 x 14mm	34
A7		Screw m4 x 30mm	6
A10		Screw m4 x 38mm	12
A17		Crosshead Screw m6.3 x 40mm	32
A18		Crosshead Screw m6.3 x 50mm	8
A34		Euro Screw m5 x 8mm	12
D4		Wood Dowel 6 x 25mm	34
F2		Mini Fix 15mm	6 sets

H6		Handle 128mm (Silver)	3
L1		Leg Pin	4
L2		Plastic Leg L Shape	4
M7		Drawer Metal Slide 400mm	3 sets
N1		Allen Key	1
R2		Single Plastic Cap	18
Y		Crosshead Cover & Mini Fix Cap	20



Each pack have contain different type hardware and size of screw for easy assemble. Please refer to page 2, check a screw size.

CAUTION

MATERIAL USE LAMINATED PARTICLE BOARD, TO CLEAN USE SOFT, DRY CLOTH. DO NOT USE DETERGENT OR CHEMICAL AVOID CONTACT WITH WATER AND DIRECT SUNLIGHT. TO BE ASSEMBLED ON A SOFT, DRY, CLEAN SMOOTH SURFACE.



USE OF POWER TOOLS TO ASSEMBLE THIS PRODUCT WILL INVALIDATE ANY CLAIM AND MAY DAMAGE THIS PRODUCT MAKING IT UNSAFE.