

WARNING

- *STRANGULATION HAZARD – NEVER ATTACH OR HANG ITEMS TO ANY PART OF THE BUNK BED THAT ARE NOT DESIGNED FOR USE WITH THE BED; FOR EXAMPLE, BUT NOT LIMITED TO HOOKS, BELTS & JUMP ROPES.
- *FOLLOW THE INFORMATION ON THE WARNINGS APPEARING ON THE UPPER BUNK END STRUCTURE & ON THE CARTON.
- *ALWAYS USE THE RECOMMENDED SIZE MATTRESS OR MATTRESS SUPPORT, OR BOTH, TO HELP PREVENT THE LIKELIHOOD OF ENTRAPMENT OR FALLS.
- *USE ONLY COIL SPRING MATTRESSES ON BOTH THE UPPER & LOWER BUNKS, FAILURE TO DO SO CAN RESULT IN INJURY.
- *USE ONLY MATTRESSES WHICH ARE 74"-75" LONG & 37.5"-38.5" WIDE ON UPPER & ON LOWER BUNKS. ENSURE THE THICKNESS OF MATTRESS DOES NOT EXCEED 6". SURFACE OF MATTRESS MUST BE AT LEAST 5" BELOW THE UPPER EDGE OF GUARDRAIL.
- *MUST USE BUNKY MATTRESSES OR BUNKY BOARD WHICH IS 74"-75" LONG & 37.5"-38.5" WIDE ON TWIN SIZE UPPER BUNK AND 74"-75" LONG & 53"-54" WIDE ON FULL SIZE UPPER BUNK.
- *DO NOT ALLOW CHILDREN UNDER 6 YEARS OF AGE TO USE THE UPPER BUNK.
- *MAXIMUM WEIGHT CAPACITY: 150LBS PER LEVEL.
- *ALWAYS USE GUARDRAILS ON BOTH LONG SIDES OF THE UPPER BUNK. IF THE BUNK BED WILL BE PLACED NEXT TO THE WALL, THE GUARDRAIL THAT RUNS THE FULL LENGTH OF THE BED SHOULD BE PLACED AGAINST THE WALL TO PREVENT ENTRAPMENT BETWEEN THE BED & WALL (APPLICABLE FOR BUNK BEDS WITH FULL LENGTH GUARDRAILS ON ONE SIDE).
- *PERIODICALLY CHECK & ENSURE THAT THE GUARDRAIL, LADDER & OTHER COMPONENTS ARE IN THEIR PROPER POSITION, FREE FROM DAMAGE, & THAT ALL CONNECTORS ARE TIGHT.
- *DO NOT ALLOW HOPSEPLAY ON OR UNDER THE BED & PROHIBIT JUMPING ON THE BED.
- *DO NOT USE SUBSTITUTE PARTS. CONTACT CUSTOMER SERVICE FOR REPLACEMENT PARTS.
- *USE OF NIGHT LIGHT MAY PROVIDE ADDED SAFETY PRECAUTION FOR A CHILD USING THE UPPER BUNK.
- *THE USE WATER OR SLEEP FLOTATION MATTRESSES IS PROHIBITED.
- *ALWAYS USE THE LADDER FOR ENTERING & LEAVING THE UPPER BUNK.
- *PROHIBIT MORE THAN ONE PERSON ON UPPER BUNK.
- *KEEP THESE INSTRUCTIONS FOR FUTURE USE.

NOTES

*READ EACH STEP CAREFULLY BEFORE STARTING. IT IS VERY IMPORTANT THAT EACH STEP OF INSTRUCTION IS PERFORMED IN THE CORRECT ORDER. IF THESE STEPS ARE NOT FOLLOWED IN SEQUENCE, ASSEMBLY DIFFICULTIES WILL OCCUR AND CAN RESULT IN INJURY.

*CAUTION: ADULT ASSEMBLY REQUIRED

*MAKE SURE ALL PARTS ARE INCLUDED. WORK IN SPACIOUS AREA, PREFERABLY ON A SMOOTH SORT SURFACE

*ASSEMBLY WILL REQUIRE 2 PEOPLES.

*MOST BOARD PARTS ARE LABELED OR STAMPED ON THE RAW EDGE.

*PHILLIPS SCREWDRIVER (NOT INCLUDED) IS REQUIRED

*A RUBBER Mallet (NOT INCLUDED) IS RECOMMENDED TO FACILITATE ASSEMBLY

*BED IS DESIGNED FOR CHILDREN RANGING FROM 6 YEARS OF AGE TO YOUNG TEENAGERS.

CARE AND CLEANING

Dust regularly with a soft, dry cloth. We do not recommend the use of chemical cleaners or wax on our lacquered furniture as it may damage the finish. Keep solvents, alcohol, nail polish and polish removers away from your hardwood furniture surfaces.

MAINTENANCE

Check bolts/screws periodically and tighten them if necessary.



WARNING: Should this product become damaged, and/or components are broken or missing, DO NOT USE!

BUNK BED

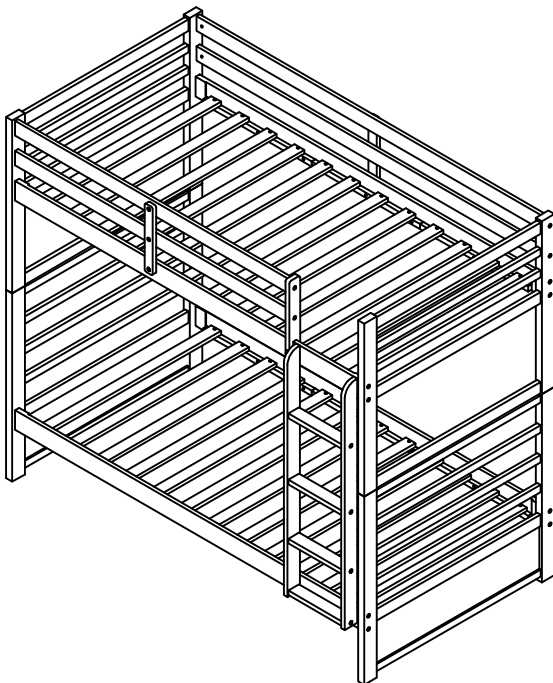
CAUTION:

This unit is intended for use only with the products and or maximum weights indicated. Use with other products and or products heavier than the maximum weights indicated may result in instability or cause possible injury.

DO NOT ALLOW HORSEPLAY OR
OR UNDER THE BED & PROHIBIT
JUMPING ON THE BED.

WOODEN BUNK BED
MODEL: BB 2040 VT

DO NOT ALLOW CHILDREN
UNDER 6 YEARS OF AGE TO USE
THE UPPER BUNK. BED IS
DESIGNED FOR CHILDREN
RANGING FROM 6 YEARS OF AGE
TO YOUNG TEENAGERS.



MAXIMUM WEIGHT CAPACITY:
440LBS (200KGS) PER LEVEL

USE ONLY MATTRESSES WITH
ARE 74"-75" LONG AND 37.5"-38.5"
WIDE ON UPPER AND ON LOWER
BUNKS. ENSURE THICKNESS OF
MATTRESS DOES NOT EXCEED 6"

USE ONLY COIL SPRING
MATTRESSES ON BOTH THE
UPPER AND LOWER BUNKS.
FAILURE TO DO SO CAN RESULT
IN INJURY.

ASSEMBLY INSTRUCTION

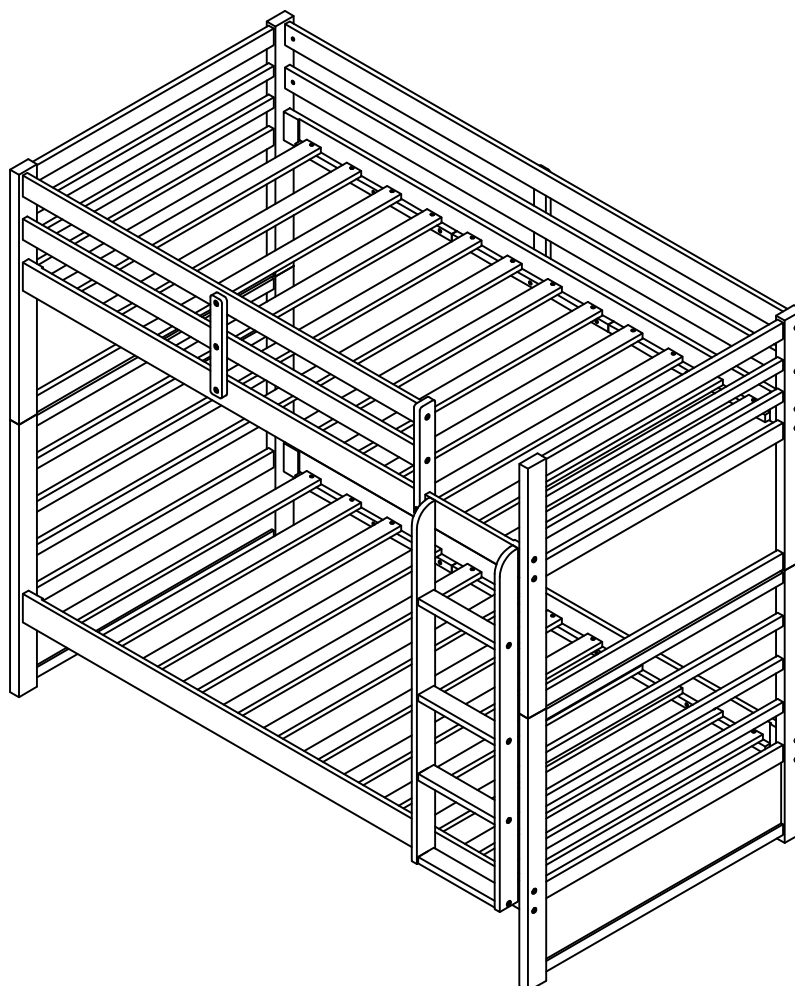
Before starting assemble, please check all parts and hardware packed in carton to make sure all of those are completed included in the box. If any part(s) or hardware(s) are missing or damage, please contact your nearest furniture dealer for replace.

****Please Do Not Tighten The Bolt Or Screw Before Complete Last Step**


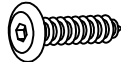


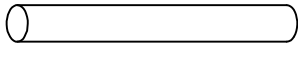




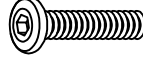

Parts list & Mustration

Part	Name Of Part List	Qty
A	Headboard right panel bottom	1PC
B	Headboard left panel bottom	1PC
C	Headboard right panel upper	1PC
D	Headboard left panel upper	1PC
E	Front bottom side rail	1PC
F	Back bottom side rail	1PC
G	Front upper side rail	1PC
H	Back upper side rail	1PC
I	Front guardrail bars	2PCS
J	Back guardrail bars	2PCS




Part	Name Of Part List	Qty
K	Front side guardrail bar	1PC
L	Guardrail reinforce bars	2PCS
M	Ladder right side rail	1PC
N	Ladder left side rail	1PC
O	Ladder rail	5PCS
P	Slats	24PCS

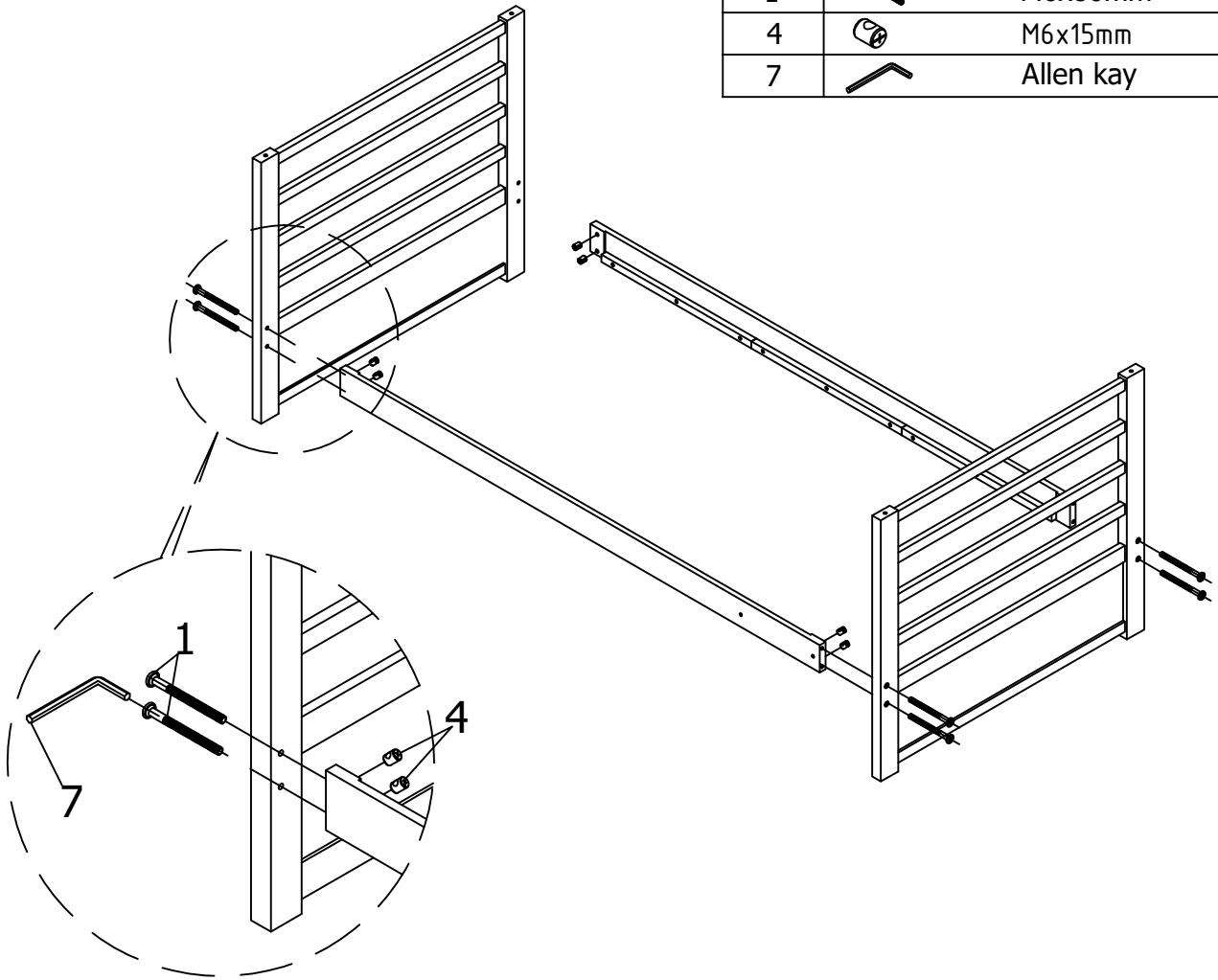


Hardware & Mustration

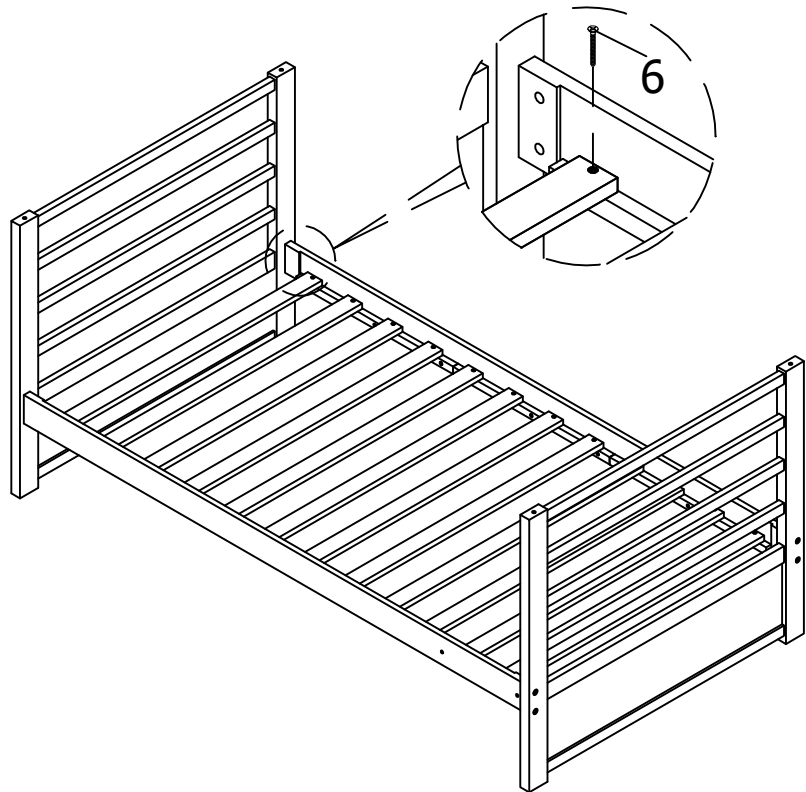
NO	DESCRIPTION		DIMENSION	QTY
1	Hax-Headbolts		M6x80mm	22PCS
2	Hax-Headbolts		M6x30mm	8PCS
3	Hax-Headbolts		M6x50mm	8PCS
4	Nut		M6x15mm	16PCS
5	Metal Pin		φ10x90mm	4PCS
6	Wood Screw		M4x30mm	48PCS
7	Allen kay		M4	1PC
8	Wood Dowel		φ8x30mm	32PCS
9	Nut		M6x13mm	8PCS
10	Hax-Headbolts		M6x35mm	4PCS
11	Hax-Headbolts		M6x65mm	2PCS


STEP 1

No	Description	Q.ty
1	 M6x80mm	8pcs
4	 M6x15mm	8pcs
7	 Allen key	1pc









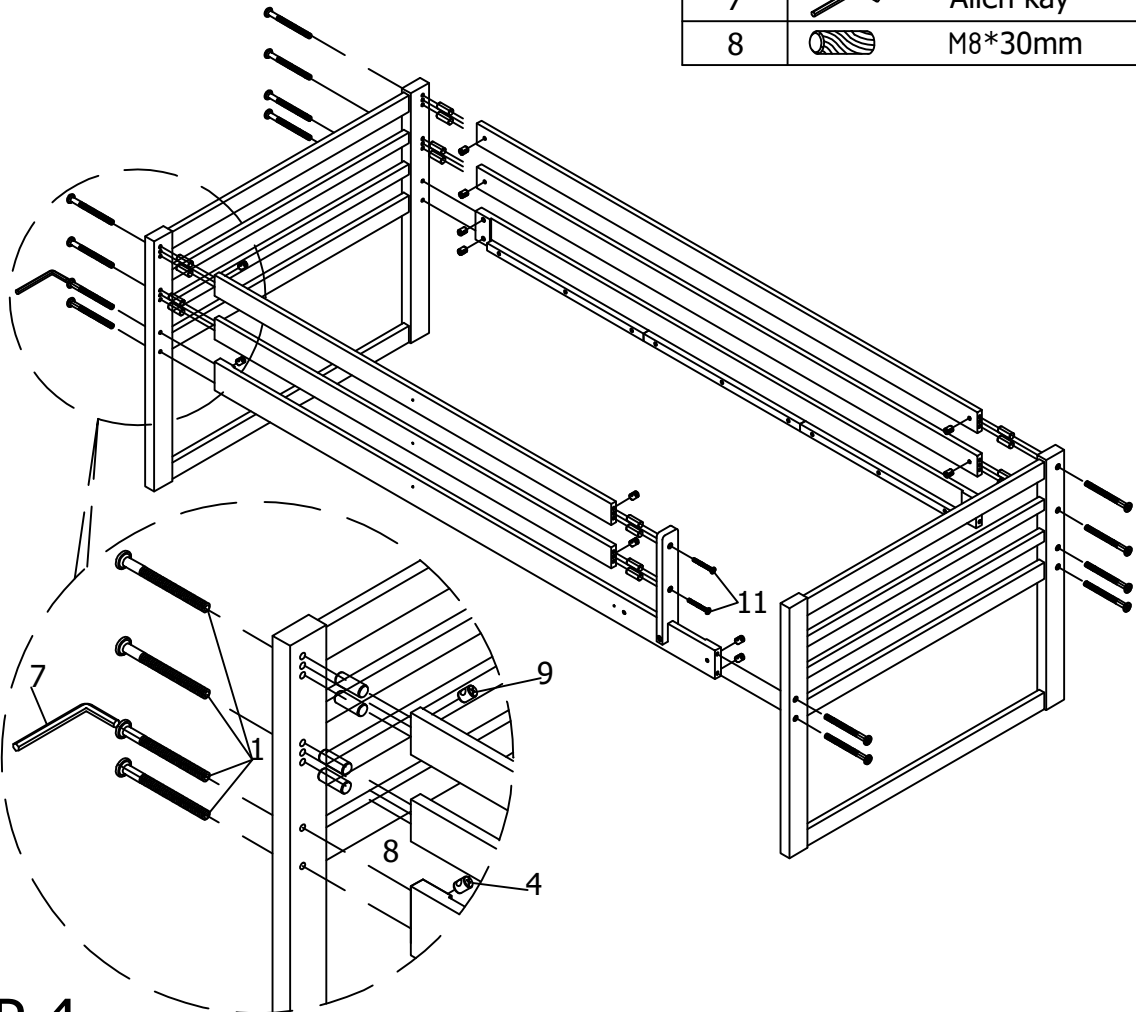
STEP 2



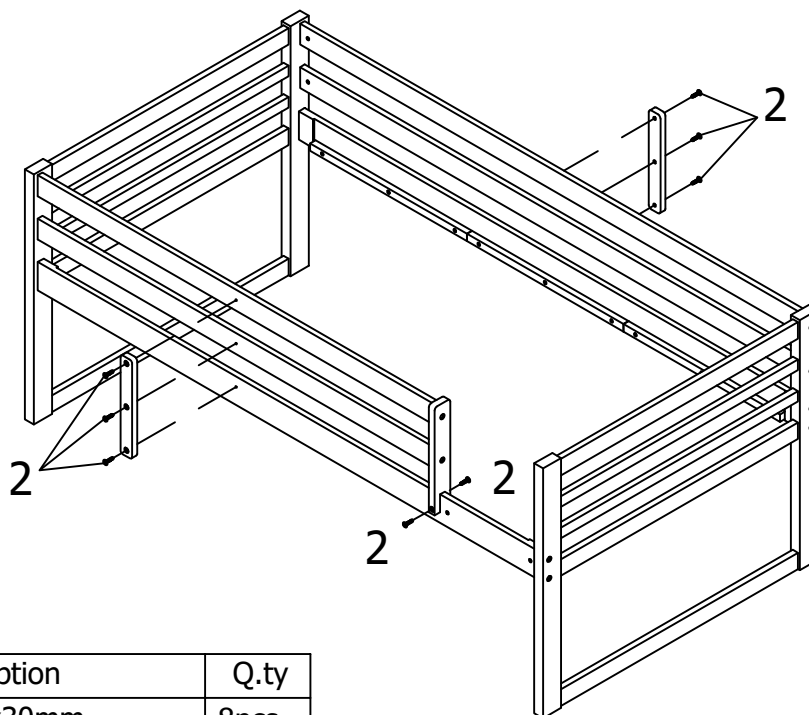
No	Description	Q.ty
6	 M4*30mm	24pcs



STEP 3

No	Description	Q.ty
11	 M4x65mm	2pcs
9	 M6x13mm	8pcs
1	 M4x80mm	14pcs
4	 M6x15mm	8pcs
7	 Allen key	1pc
8	 M8*30mm	16pc




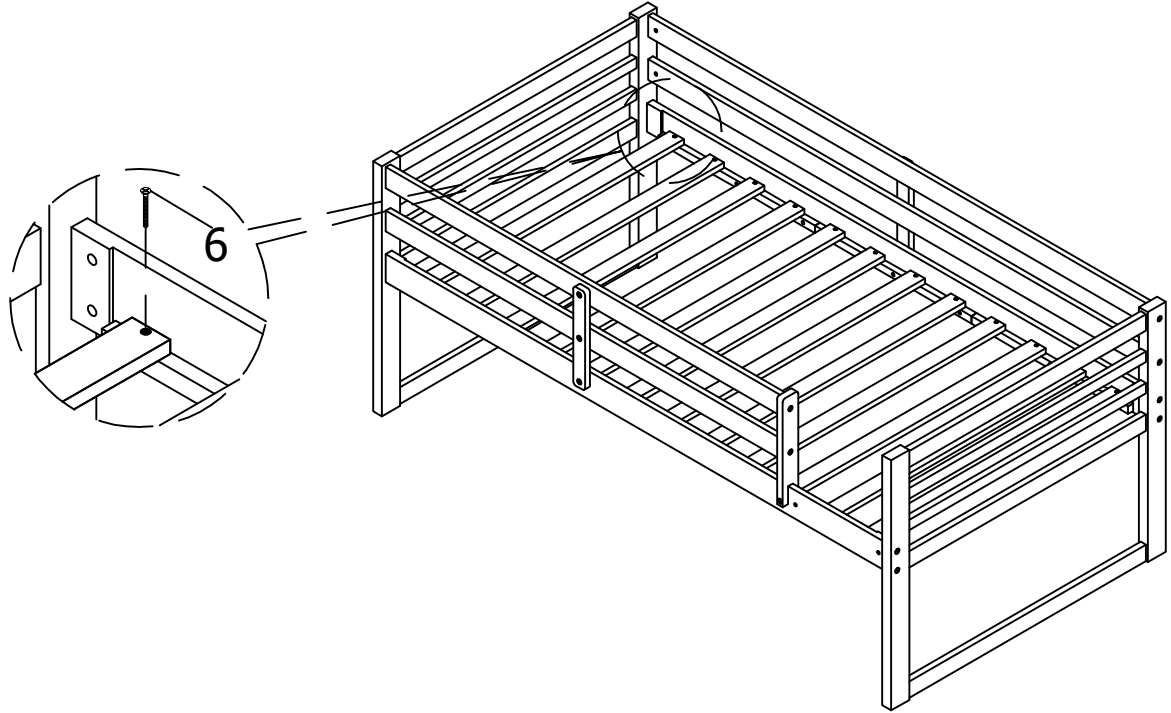
STEP 4



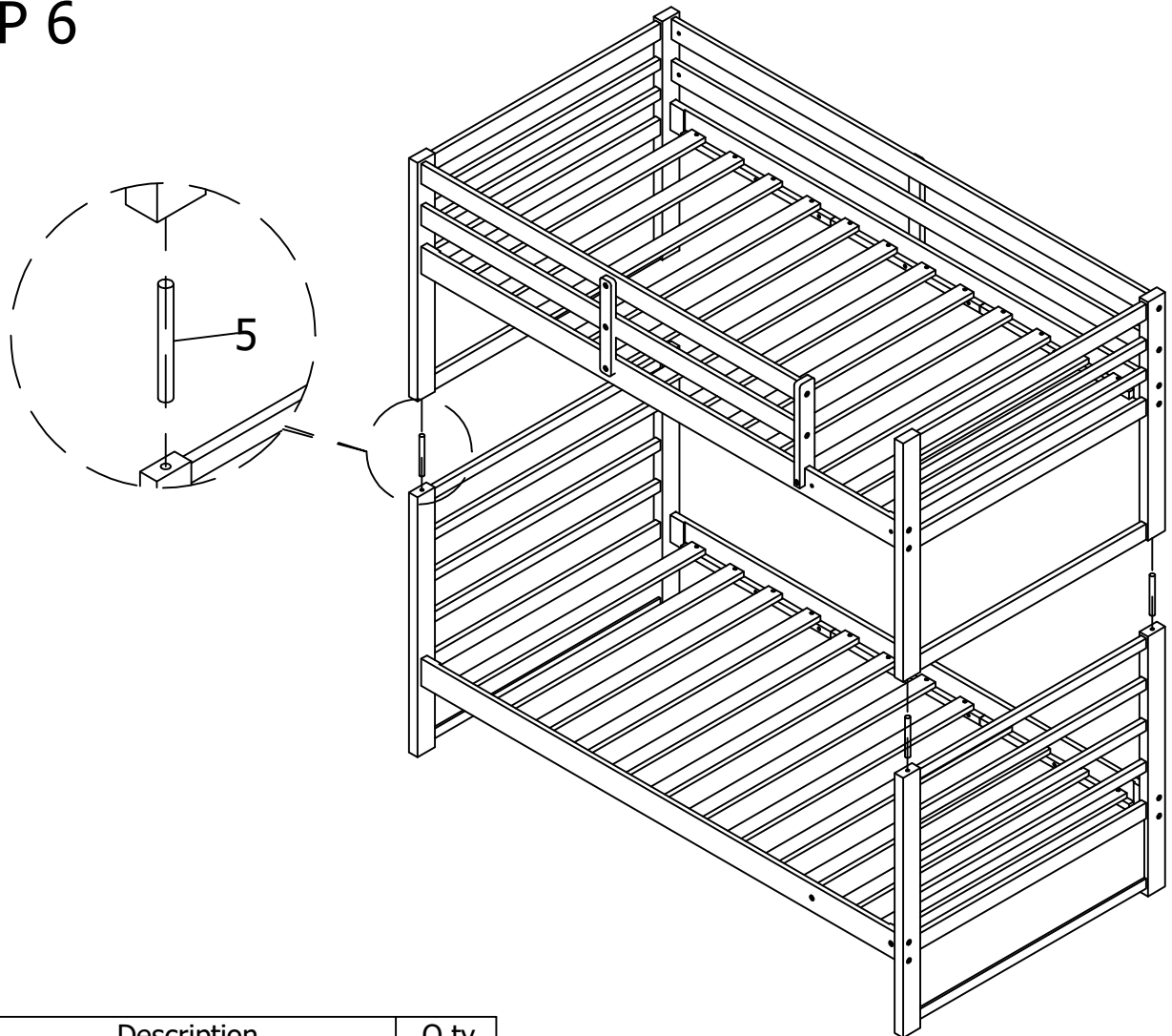
No	Description	Q.ty
2	 M6x30mm	8pcs
7	 Allen key	1pc

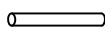
STEP 5

No	Description	Q.ty
6	 M4*30mm	24pcs






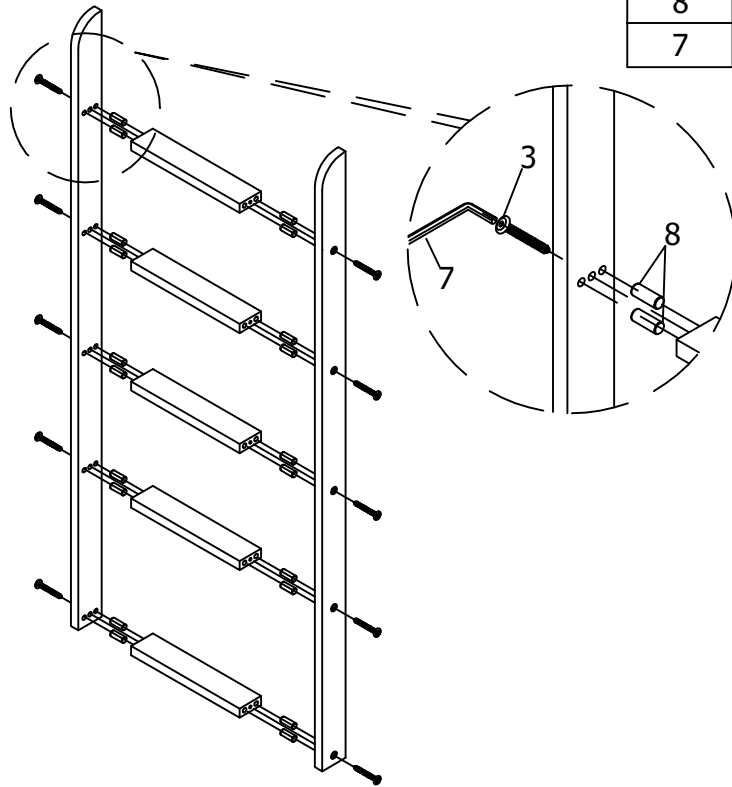
STEP 6



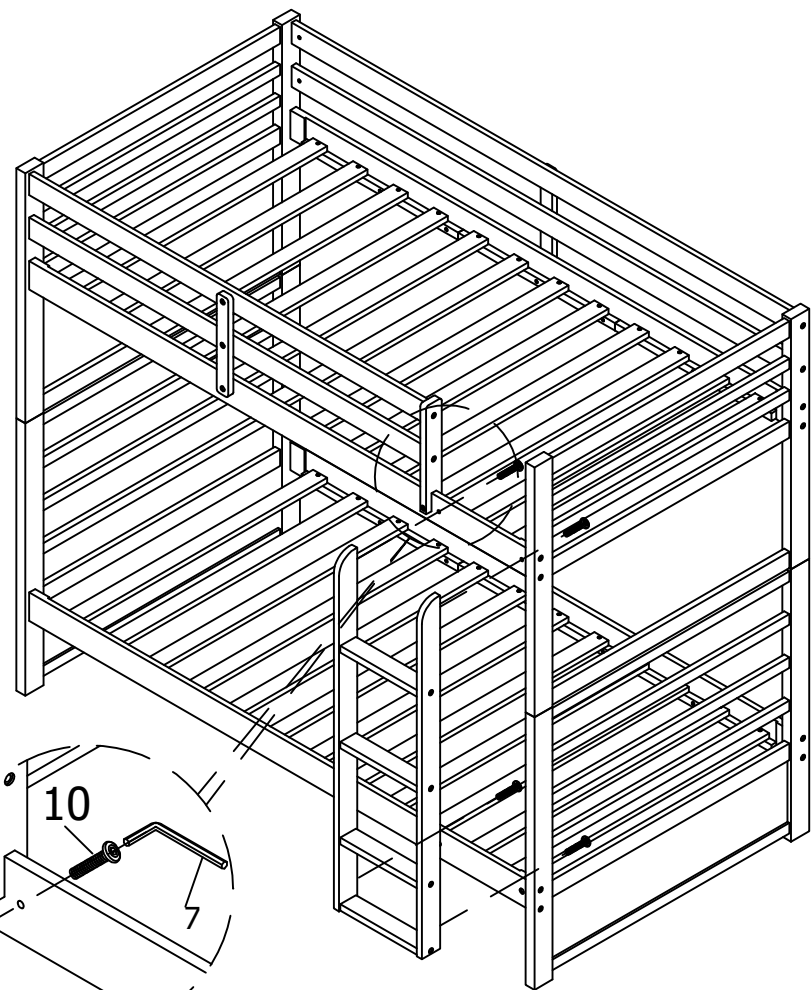
No	Description	Q.ty
5	 $\phi 10 \times 90 \text{mm}$	4pcs


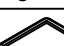
STEP 7

No	Description	Q.ty
3	 M6x50mm	6pcs
8	 M8*30mm	16pcs
7	 Allen key	1pc



STEP 8



No	Description	Q.ty
10	 M6x35mm	4pcs
7	 Allen key	1pc