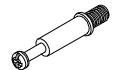

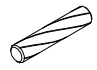











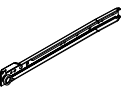

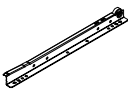

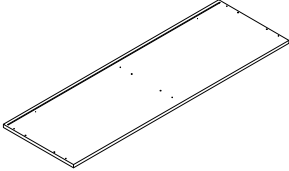
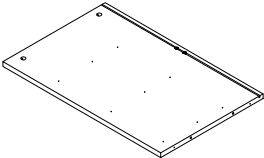
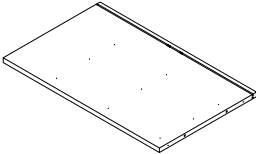
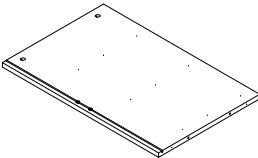
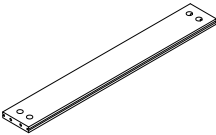
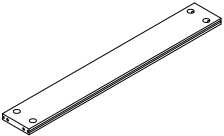
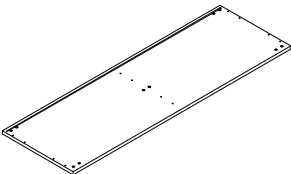
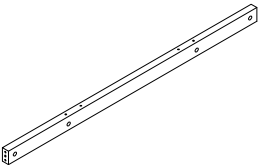
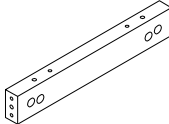
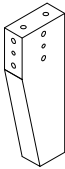
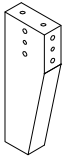
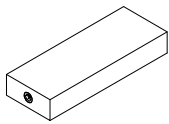
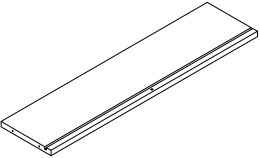
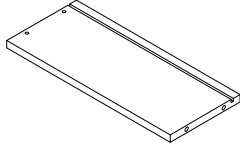
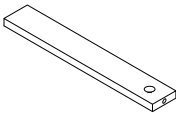
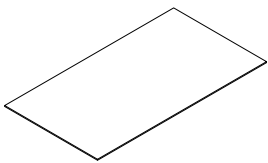
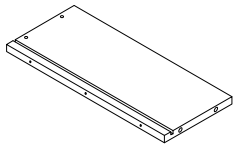
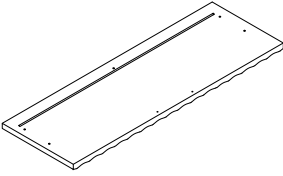
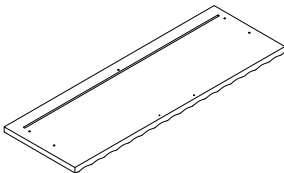
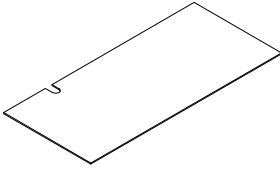
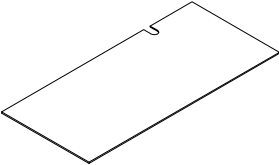
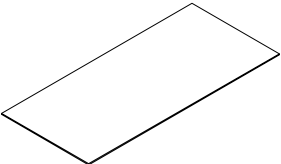
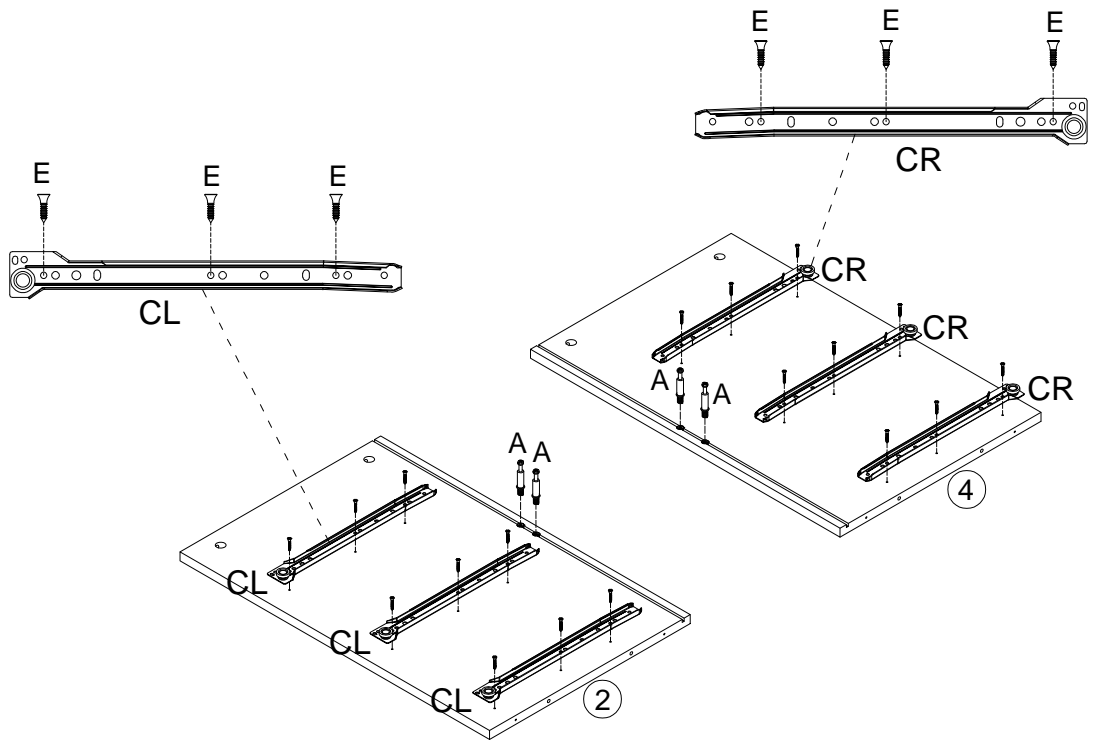
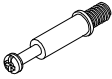

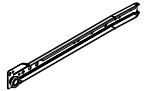



A	x 60	B	x 60	C	x 36	D	x 38	E	x 72	F	x 1	G	x 10
													
				M6x30mm		M4x35mm		M3.5x14mm				M7x50mm	
H	x 14	J	x 2	K	x 8	L	x 8	M	x 2	N	x 6	P	x 1
													
	M4x12mm					M3x14mm							
CL	x 6	CR	x 6	DL	x 6	DR	x 6						
													

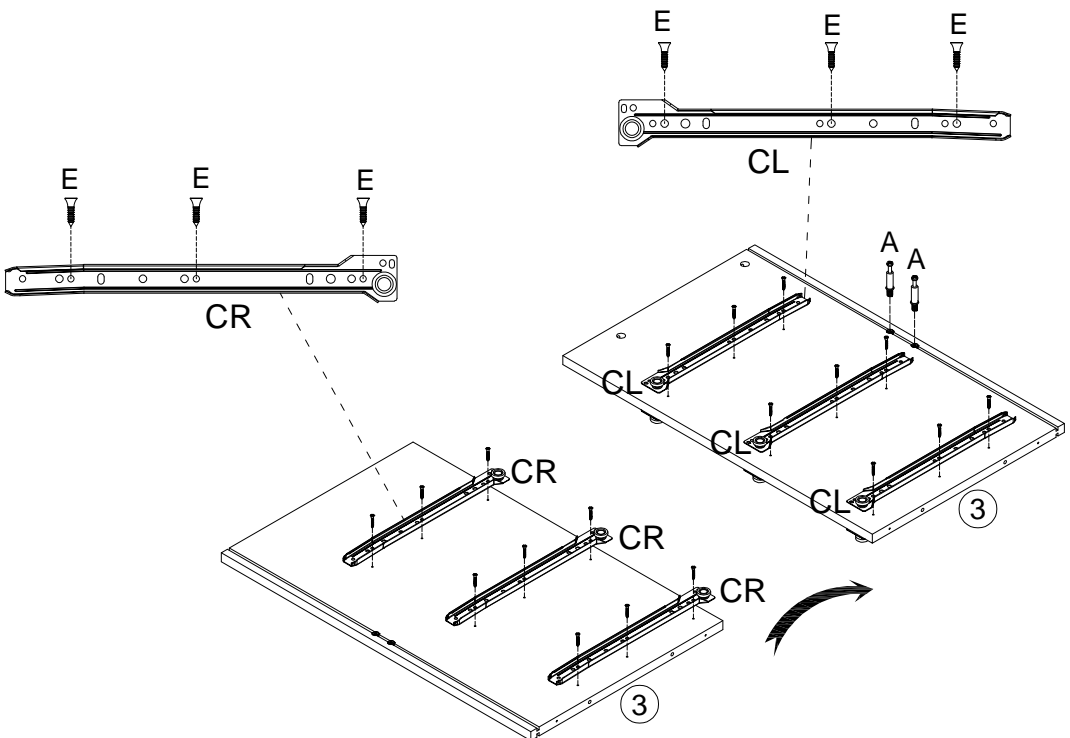
1	x 1	2	x 1	3	x 1	4	x 1	5	x 1
									
1200x390x15mm		600x389x15mm		600x389x15mm		600x389x15mm		577x80x15mm	
6	x 1	7	x 1	8	x 2	9	x 2	10	x 2
									
577x80x15mm		1200x390x15mm		1057x50x25mm		319x50x25mm		170x60x25mm	
11	x 2	12	x 1	13	x 6	14	x 6	15	x 6
									
170x60x25mm		161x60x25mm		527x128x12mm		300x128x12mm		287x45x12mm	
16	x 6	17	x 6	18	x 3	19	x 3	20	x 1
									
535x295x3mm		300x128x12mm		580x195x15mm		580x195x15mm		585x268x3mm	
21	x 1	22	x 2						
									
585x268x3mm		585x268x3mm							

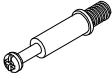

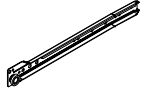

STEP 1



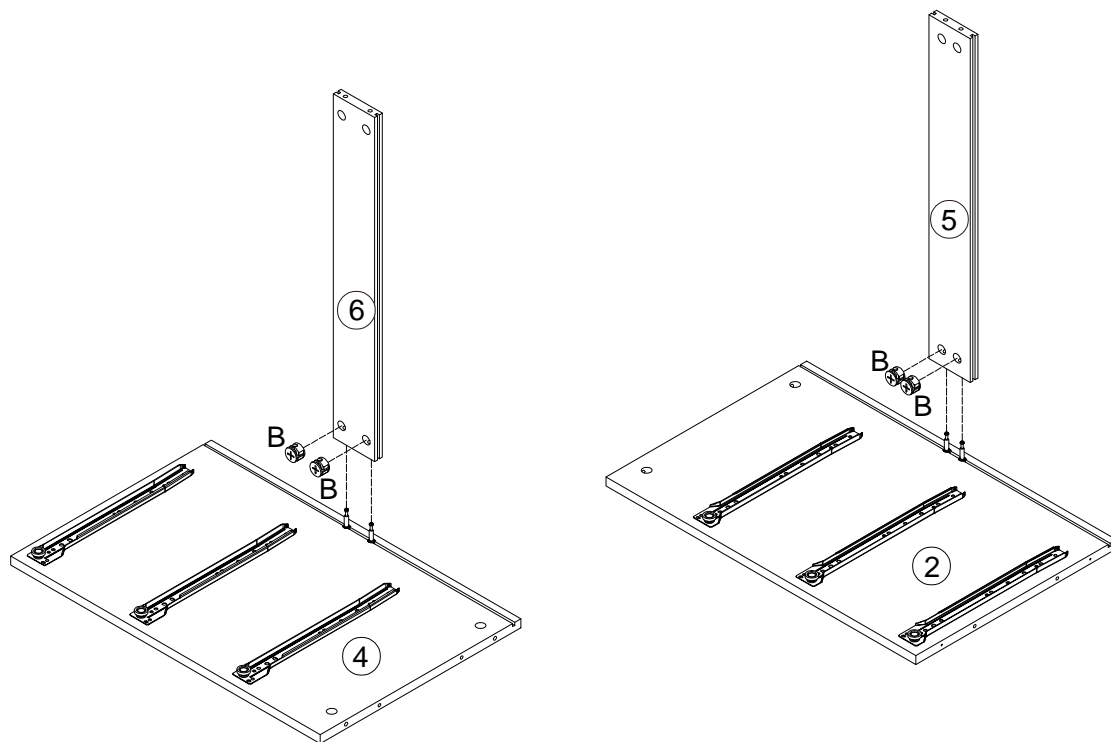
A	x 4
	
E	x 18
	
	M3.5x14mm
CL	x 3
	
CR	x 3
	

STEP 2



A	x 2
	
E	x 18
	
	M3.5x14mm
CL	x 3
	
CR	x 3
	

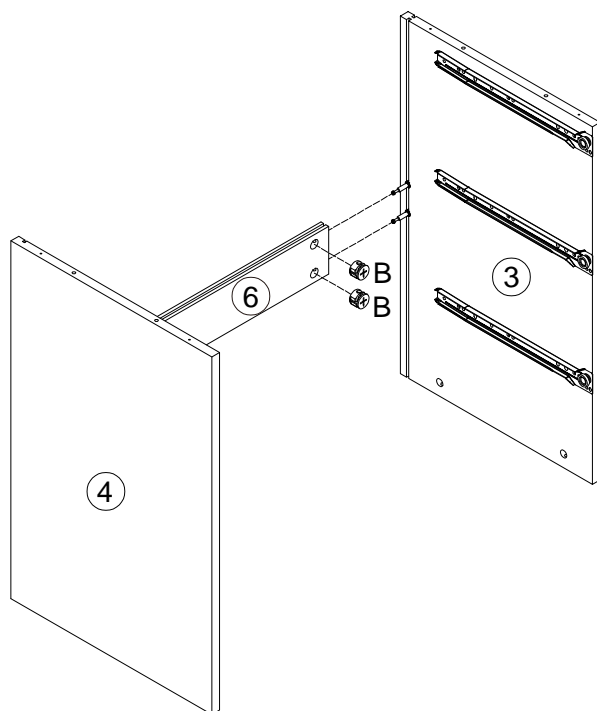
STEP 3



B	x 4
---	-----



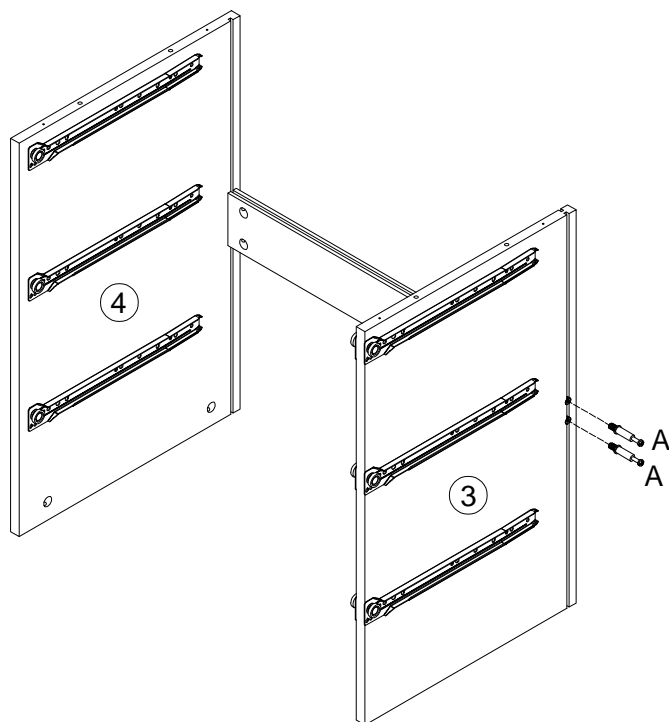
STEP 4



B	x 2
---	-----

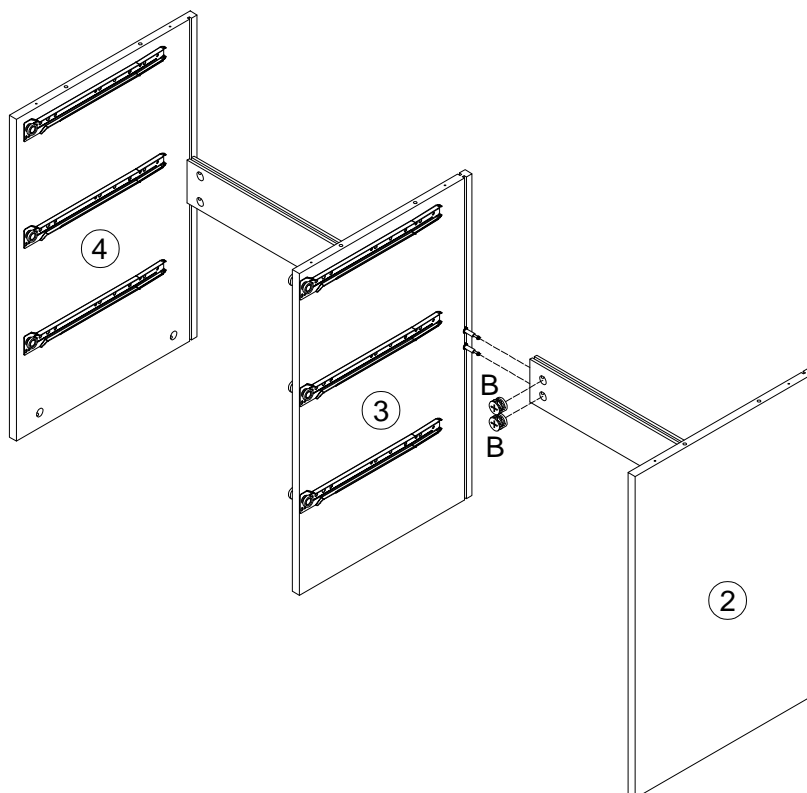


STEP 5



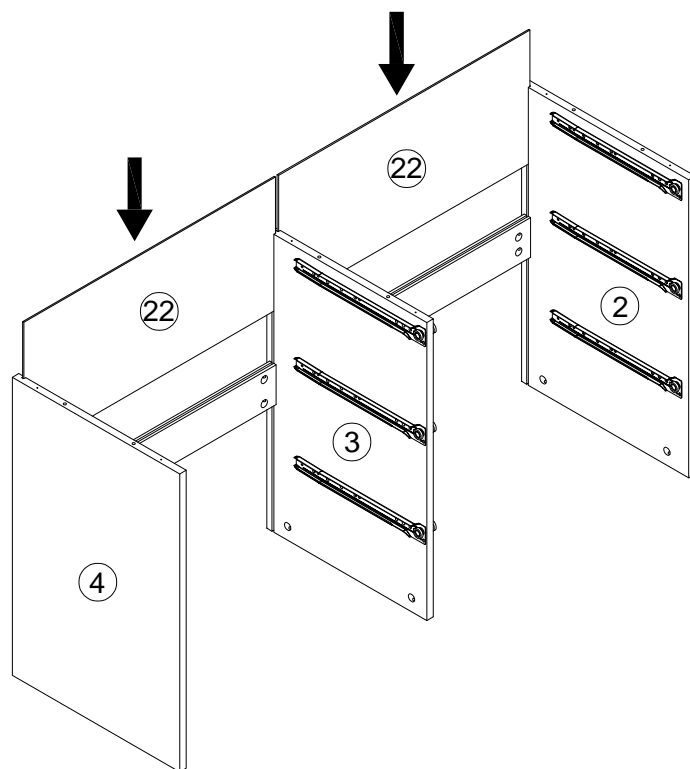
A	x 2

STEP 6

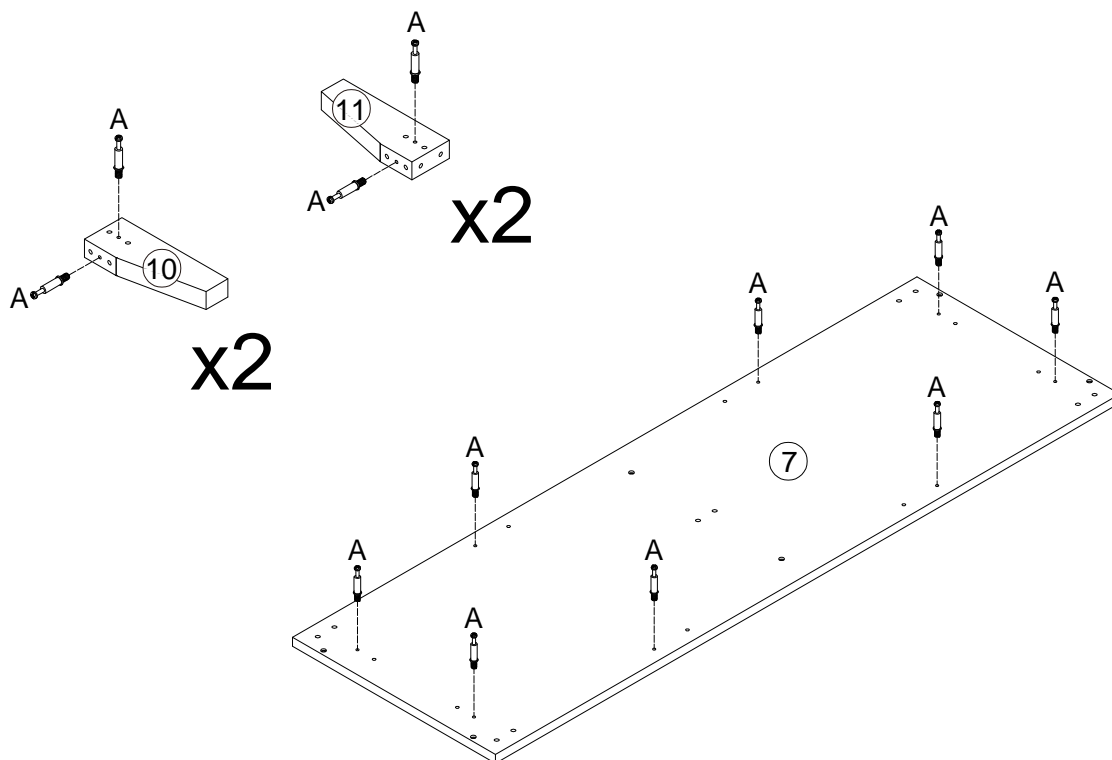


B	x 2

STEP 7



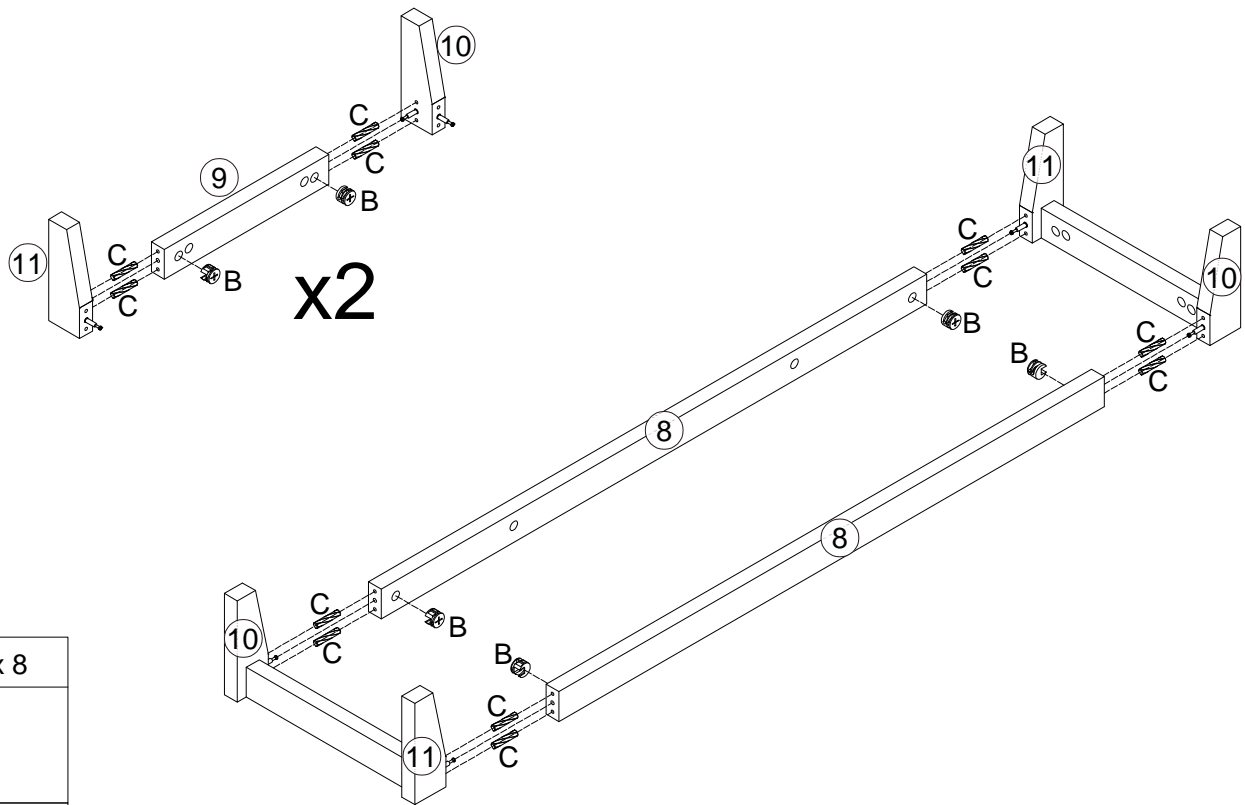
STEP 8


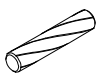


A x 16

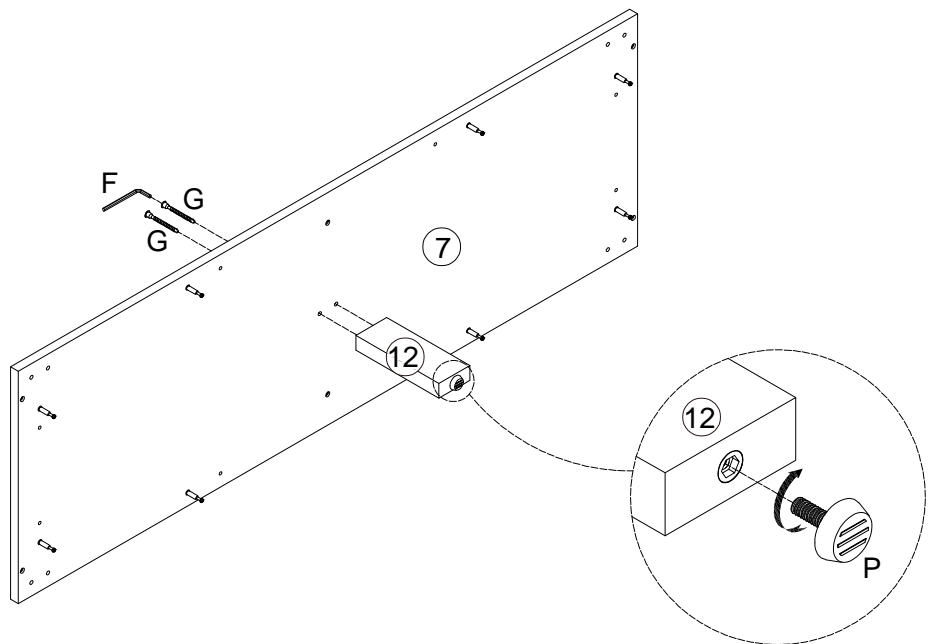





STEP 9



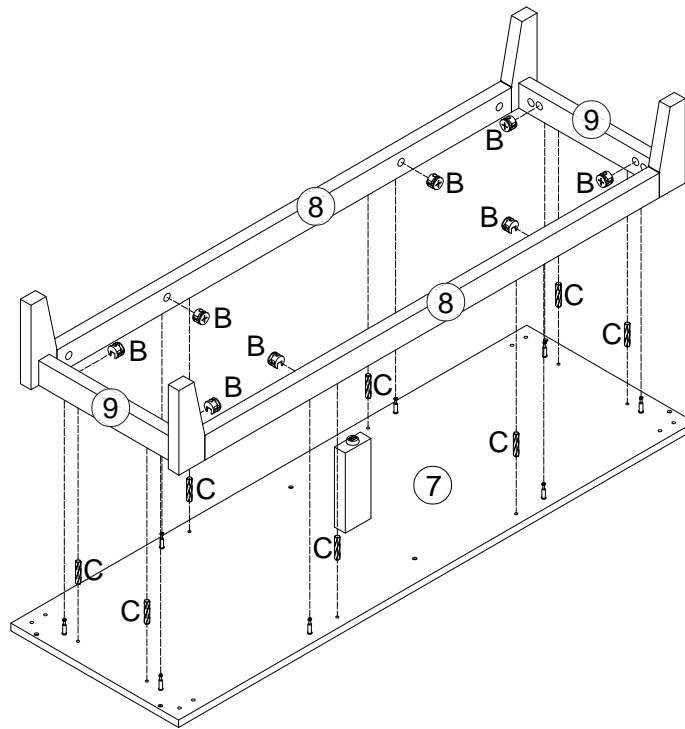
B	x 8
	
C	x 16
	
6x30mm	



STEP 10



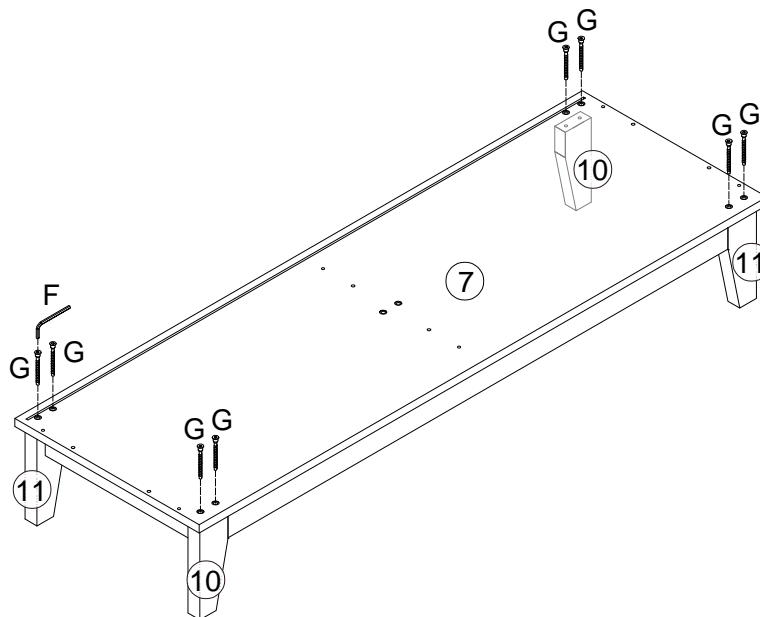
F	x 1
	
G	x 2
	
M7x50mm	
P	x 1
	



STEP 11



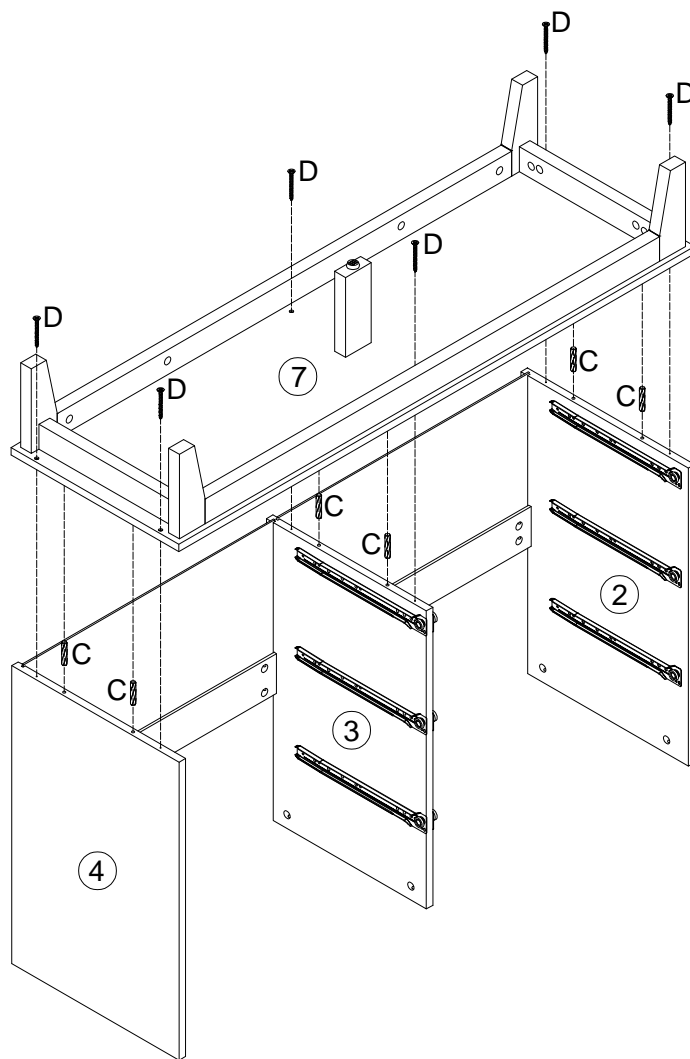
B	x 8
	
C	x 8
	
M6x30mm	

STEP 12

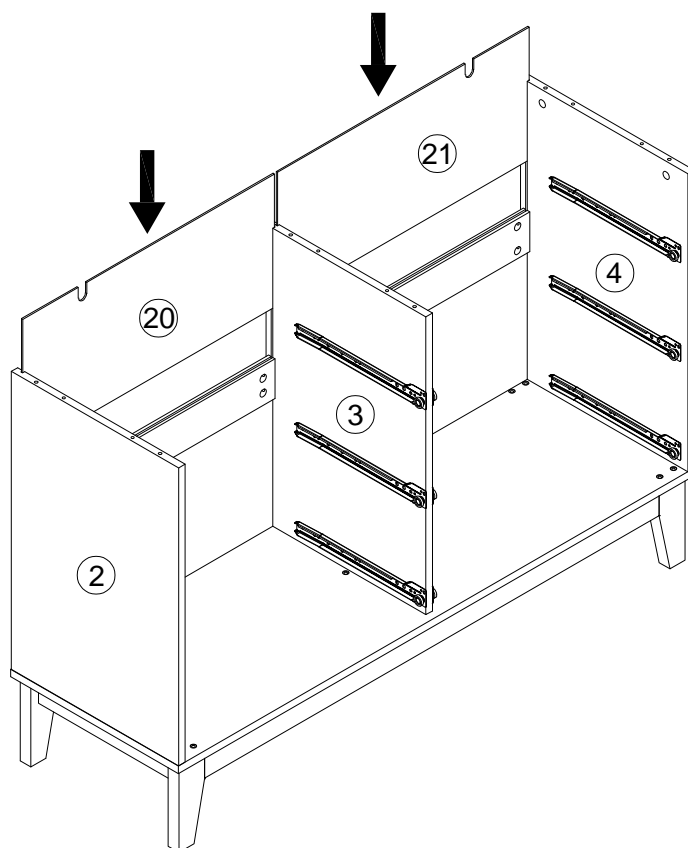


F	x 1
	
G	x 8
	
M7x50mm	

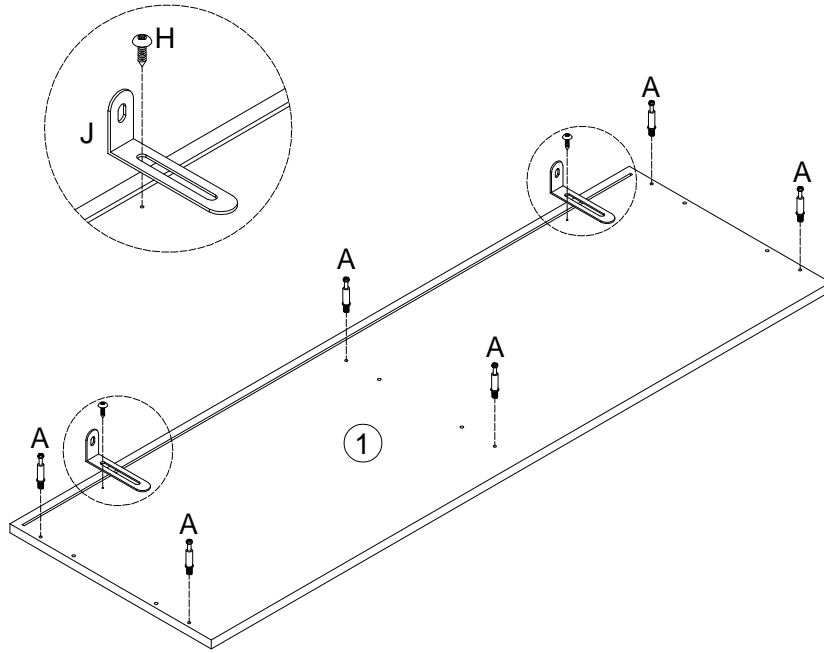
STEP 13

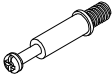

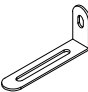


STEP 14

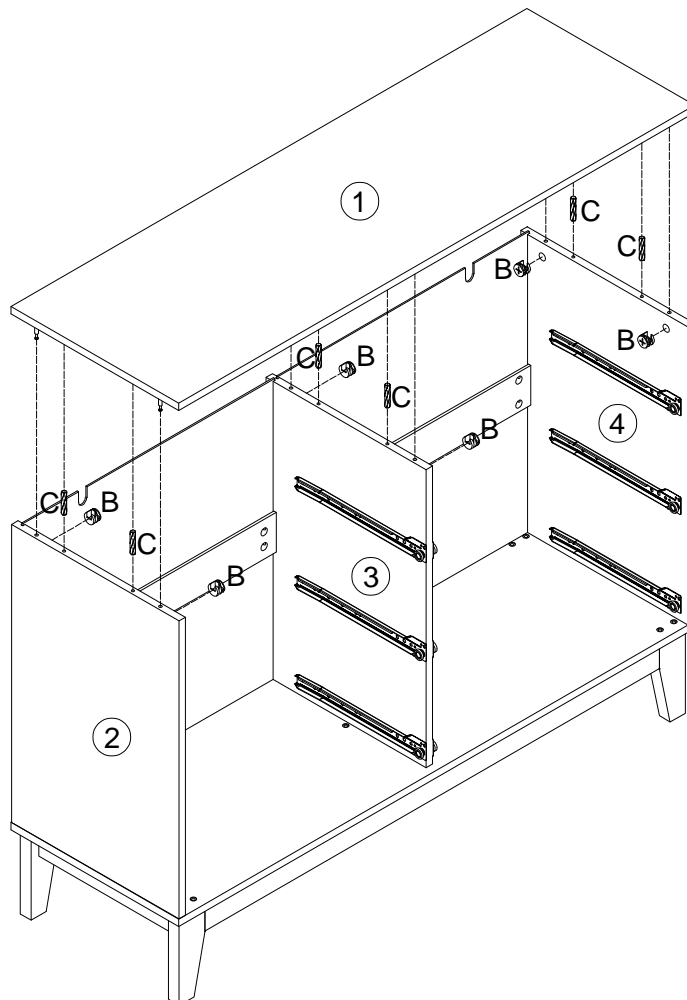




STEP 15



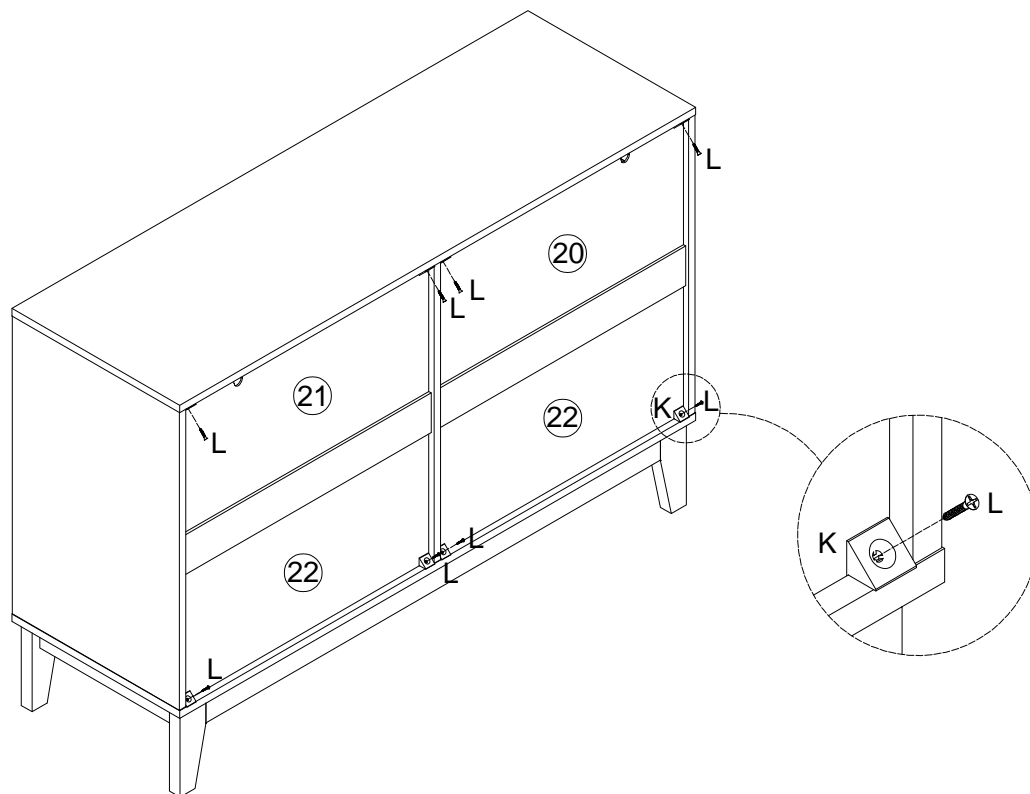
A	x 6
	
H	x 2
 M4x12mm	
J	x 2
	



STEP 16



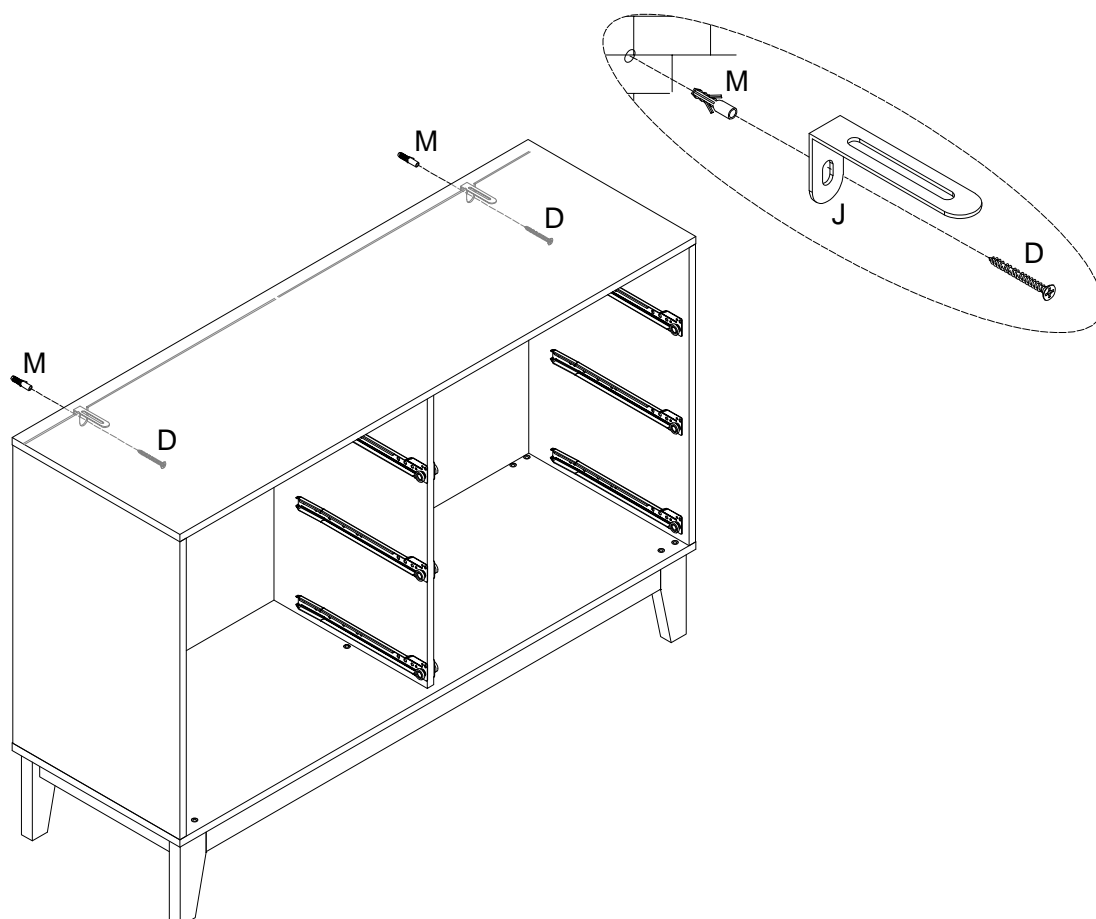
B	x 6
	
C	x 6
 M6x30mm	

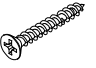

STEP 17



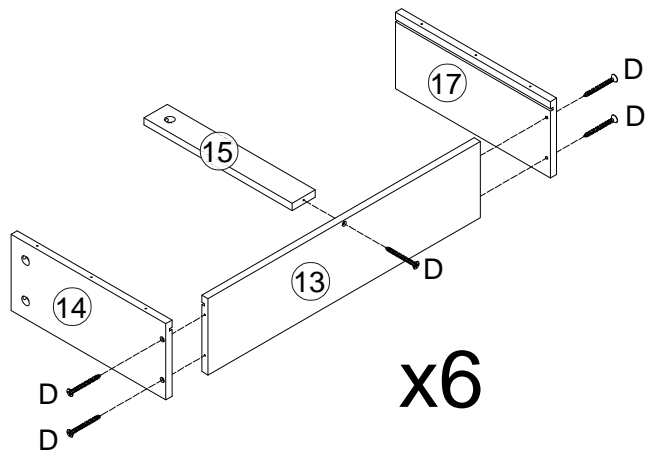
K	x 8
	
L	x 8
	
M3x14mm	

STEP 18

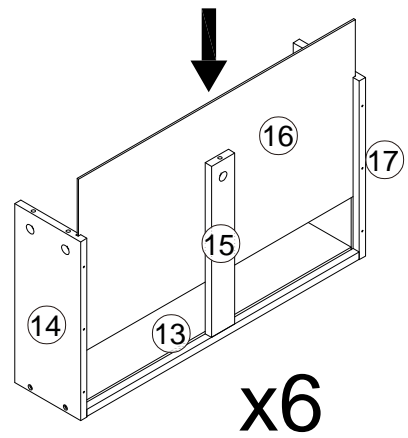


D	x 2
	
M4x35mm	
M	x 2
	


STEP 19



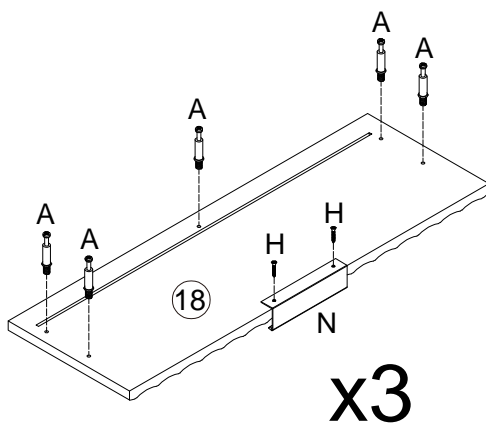
x6



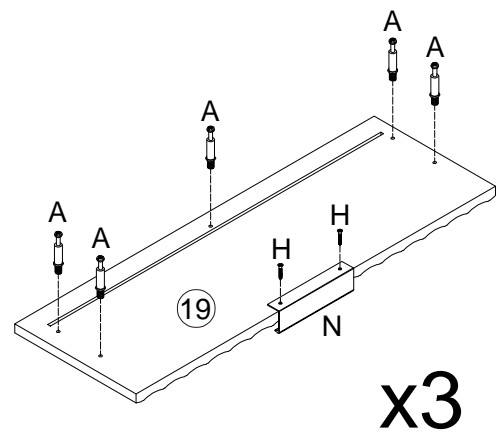
x6

D	x 30
 M4x35mm	

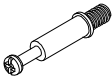

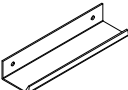
STEP 20



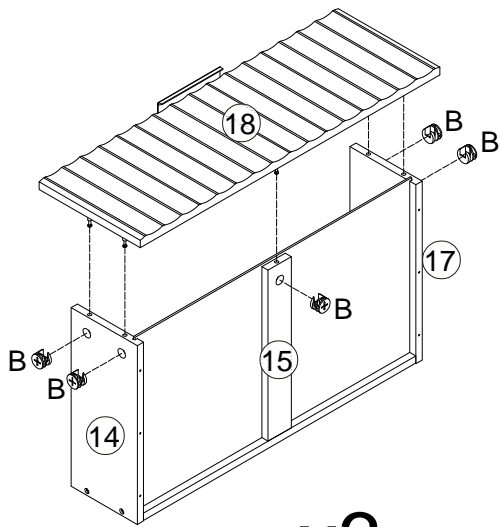
x3



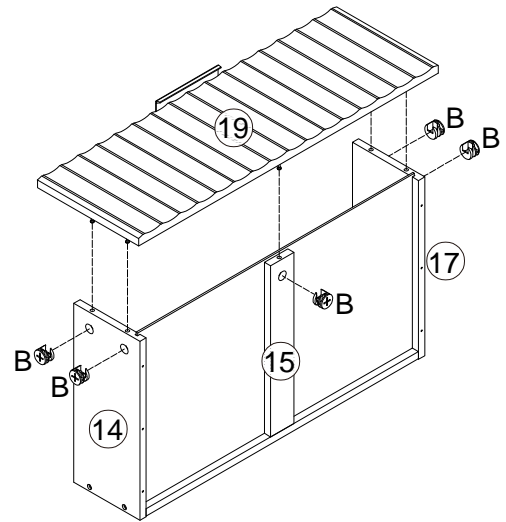
x3

A	x 30
	
H	x 12
 M4x12mm	
N	x 6
	

STEP 21



x3

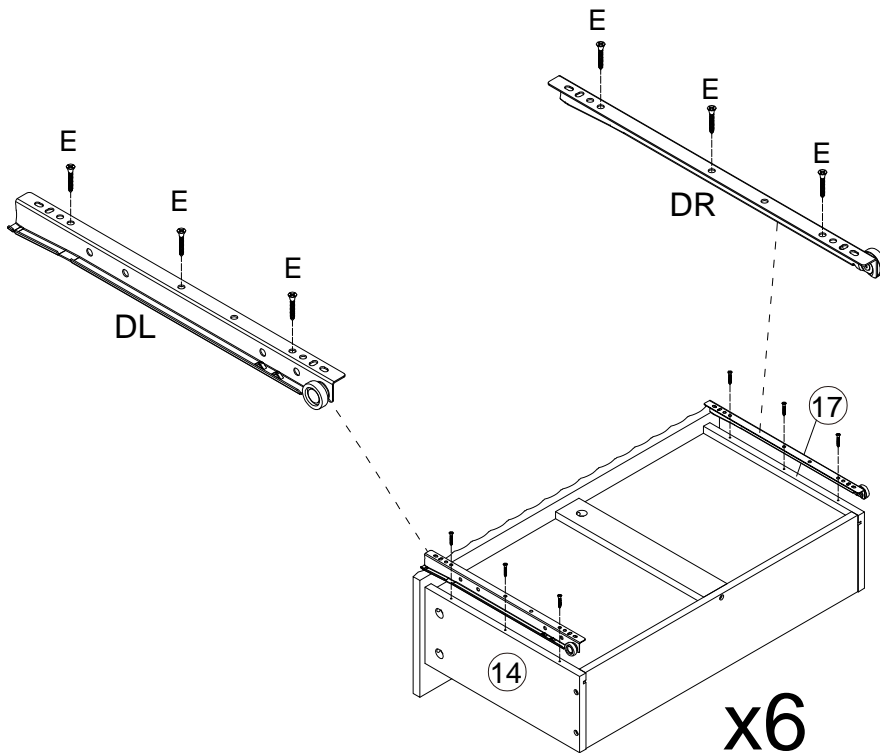


x3

B	x 30
---	------



STEP 22



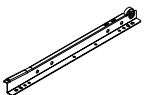
x6

E	x 36
---	------



M3.5x14mm

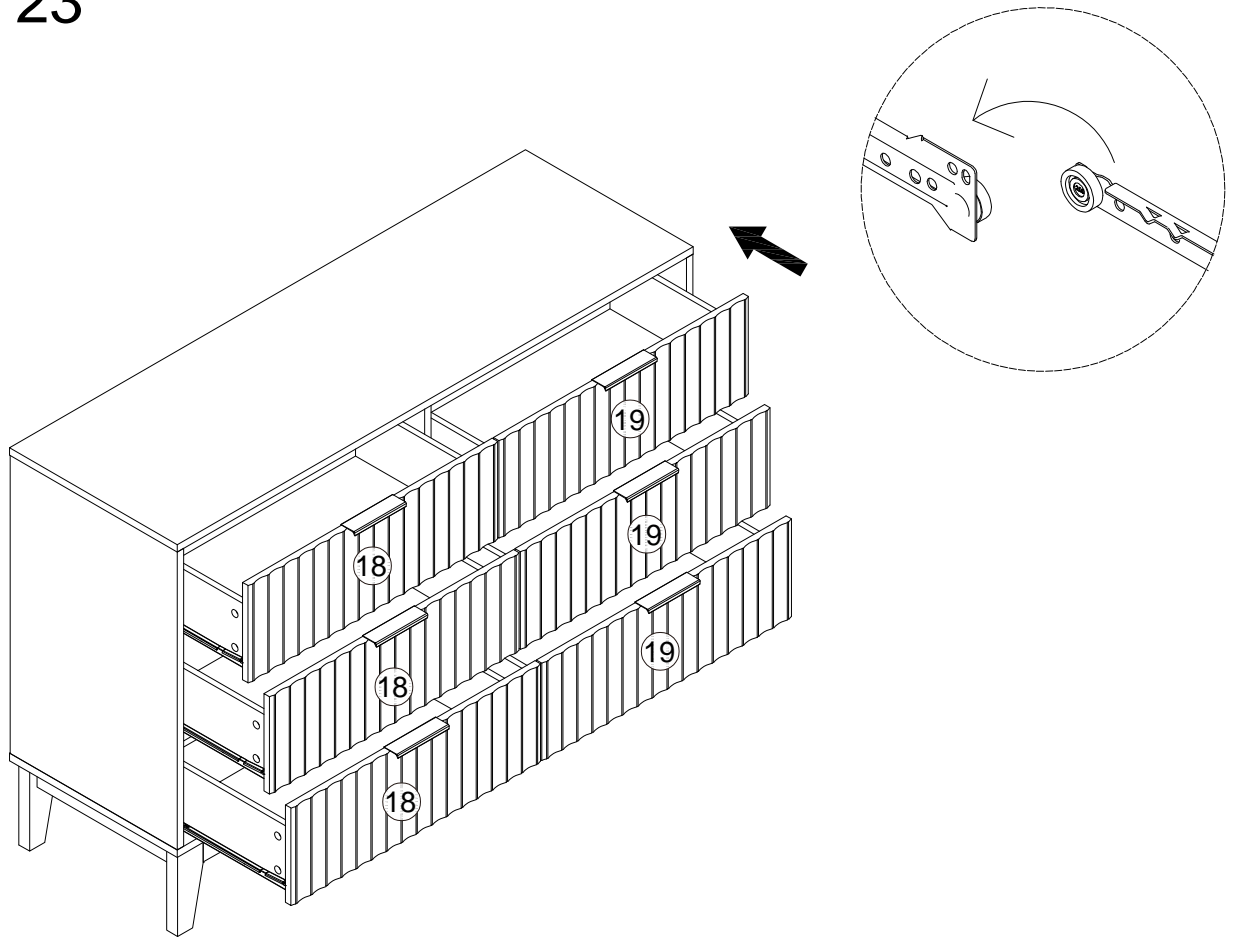
DL	x 6
----	-----



DR	x 6
----	-----



STEP 23



STEP 24

