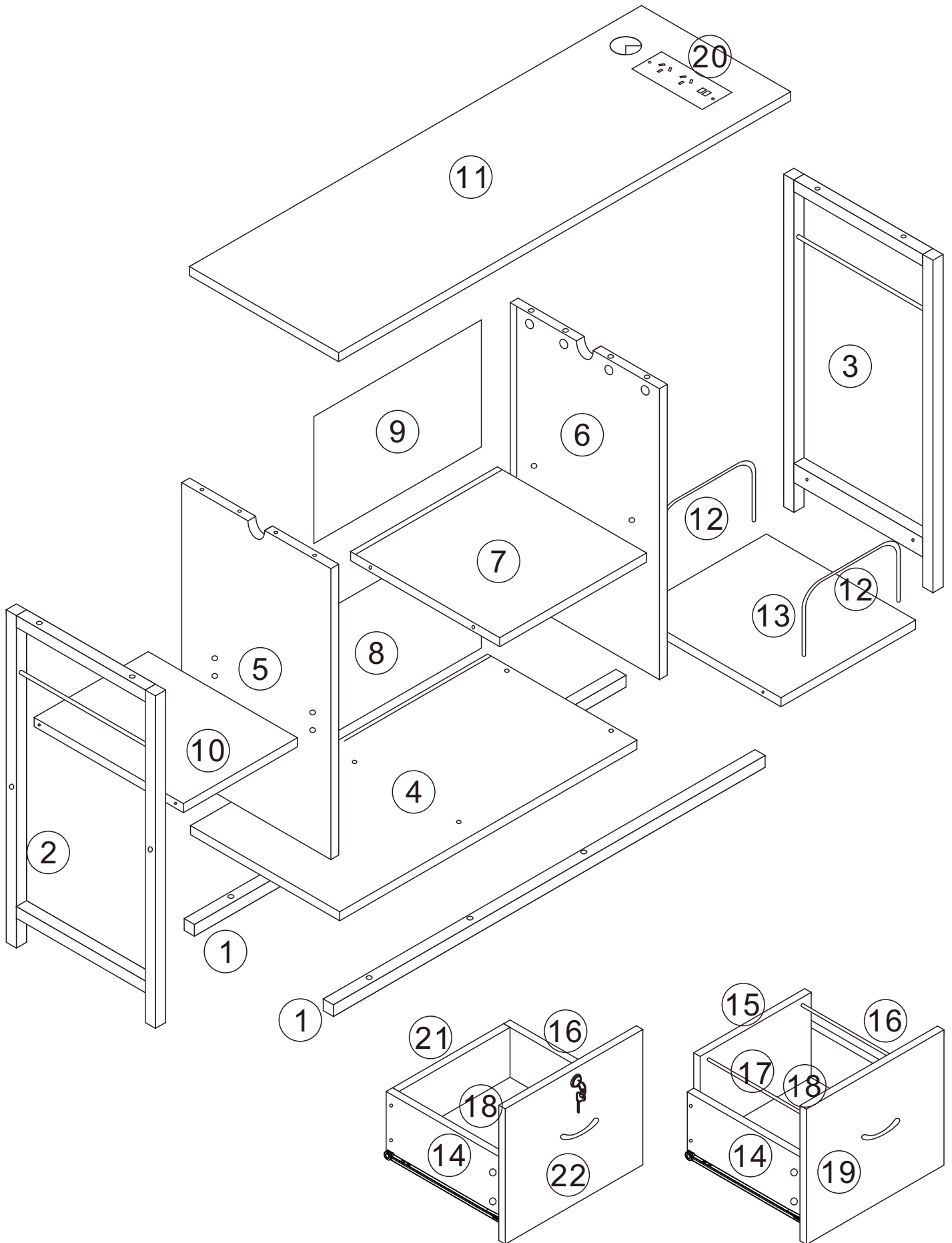
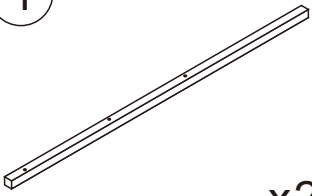
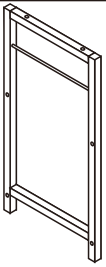
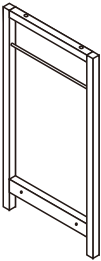
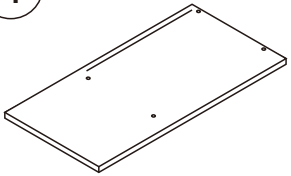
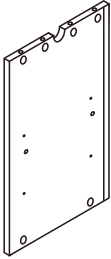
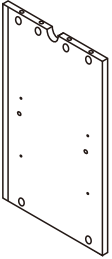
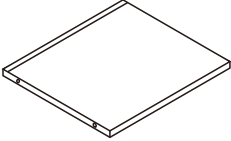
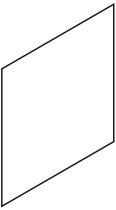
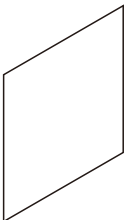
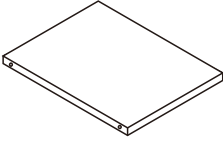
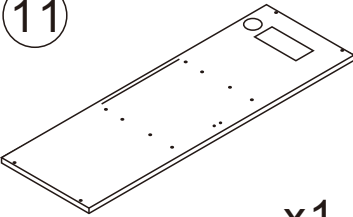

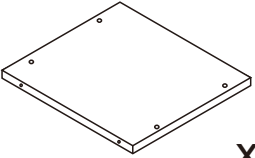
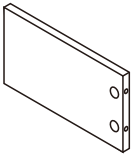
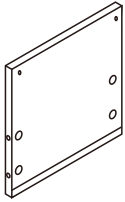
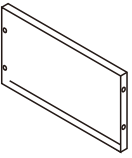

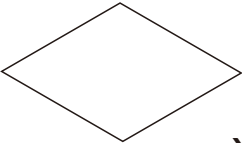
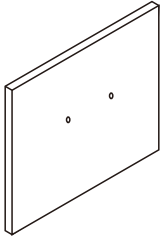
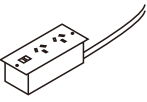
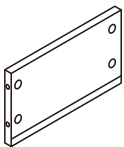
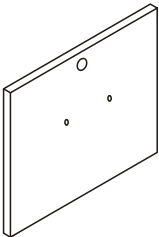

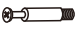









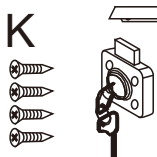


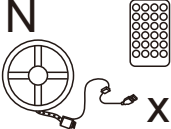

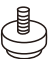





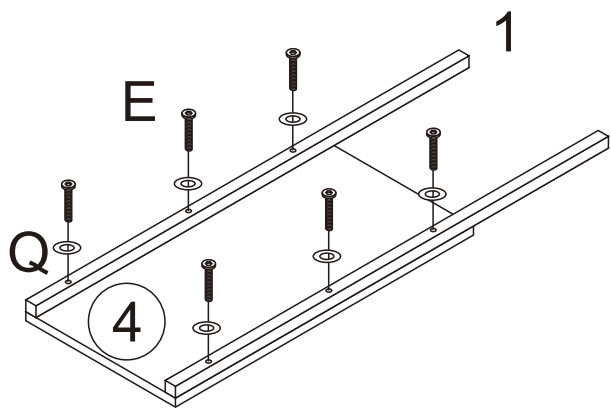
# Assembly Instructions





1  x2	2  x1	3  x1	4  x1
5  x1	6  x1	7  x1	8  x1
9  x1	10  x1	11  x1	12  x2
13  x1	14  x2	15  x1	16  x2
17  x2	18  x2	19  x1	20  x1
21  x1	22  x1	 x1	

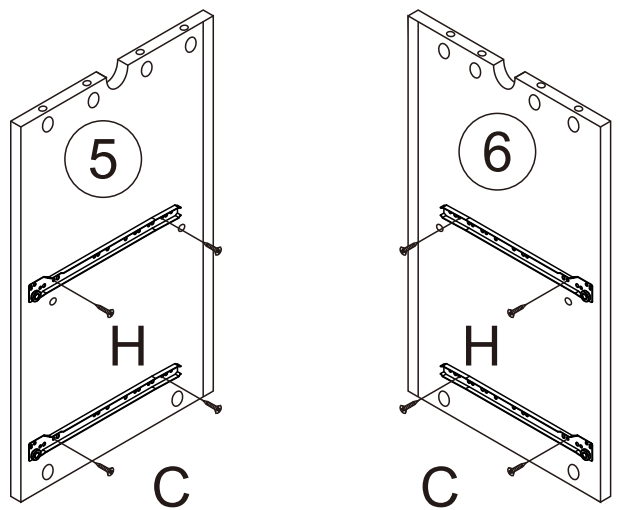
A  x36	B  x36	C  x45	D  M8x40mm x4	E  M6x50mm x6	F  M6x30mm x10	
G  x1	H  x2	I  x2	J  x6	K  x1	L  x1	
M  x2	N  x1	O  x4	O  x4	P  x20	Q  x10	R  x2


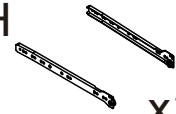
### Step 1



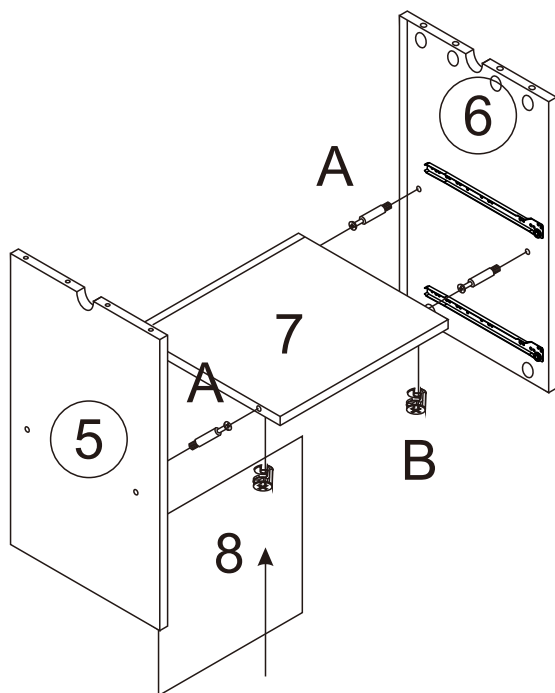
<p>Q</p>  <p>x6</p>	<p>E</p>  <p>M6x50mm x6</p>
--	--



### Step 2



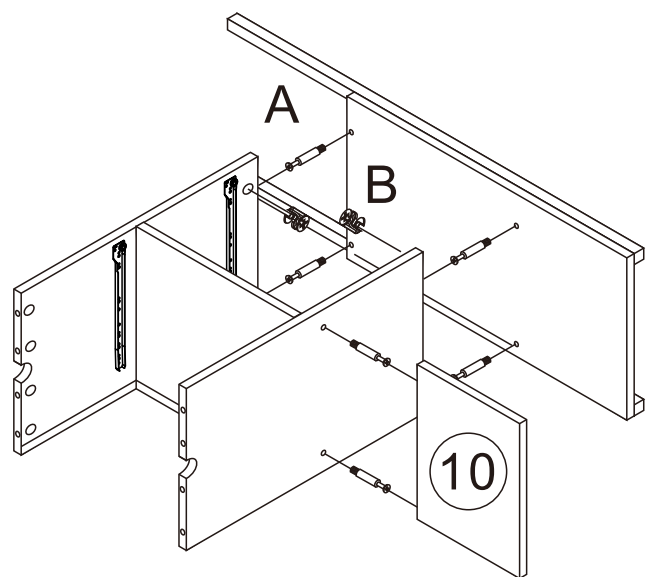
<p>C</p>  <p>x8</p>	<p>H</p>  <p>x2</p>
--	---



### Step 3



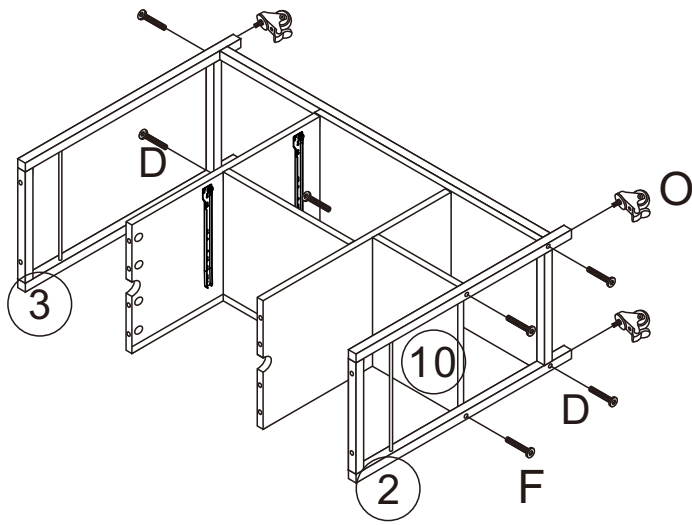
<p>A</p>  <p>x4</p>	<p>B</p>  <p>x4</p>
--	--




### Step 4



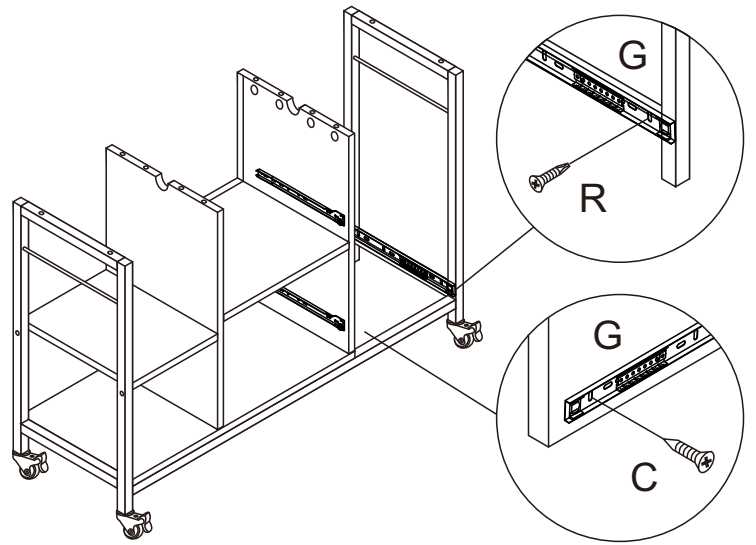
<p>A</p>  <p>x6</p>	<p>B</p>  <p>x6</p>
--	--



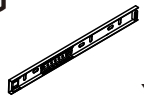
## Step 5



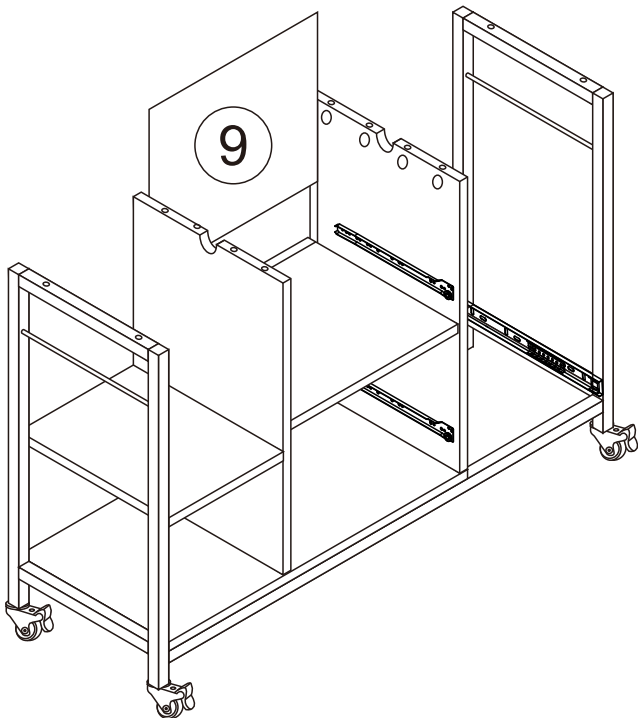
<p><b>F</b></p>  <p>M6x30mm x2</p>	<p><b>O</b></p>  <p>x4</p>	<p><b>D</b></p>  <p>M8x40mm x4</p>
---	--	---

## Step 6

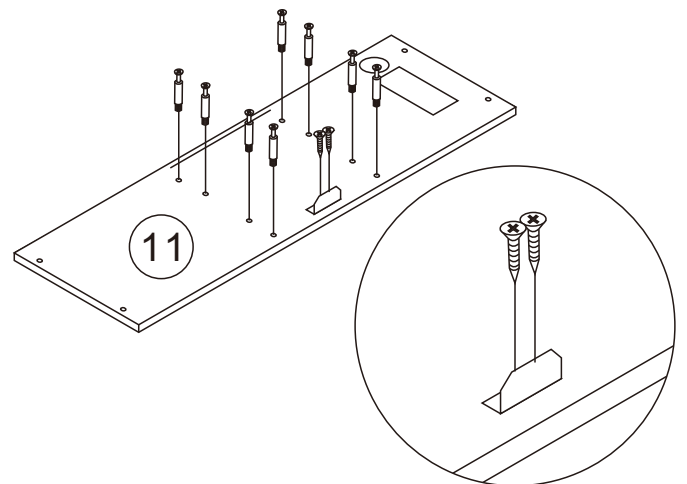





<p><b>R</b></p>  <p>x2</p>	<p><b>C</b></p>  <p>x2</p>	<p><b>G</b></p>  <p>x2</p>
---	---	--

## Step 7

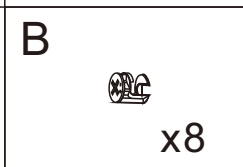
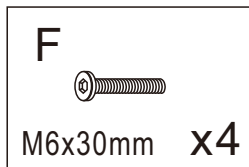
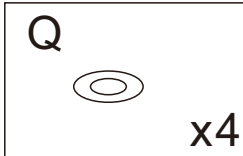
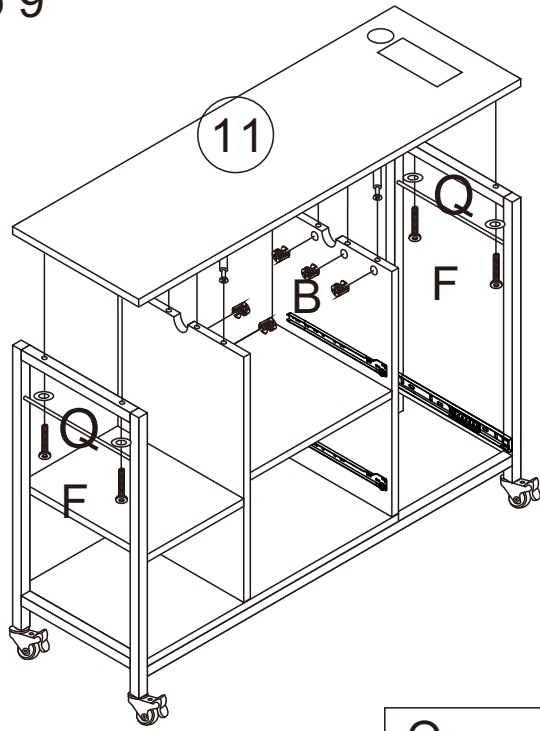


## Step 8

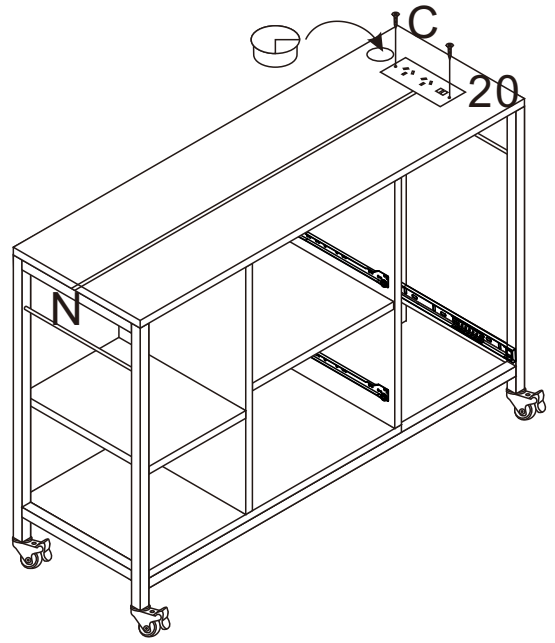


<p><b>A</b></p>  <p>x8</p>	<p><b>K</b></p>  <p>x1</p>	<p><b>C</b></p>  <p>x2</p>
---	---	---

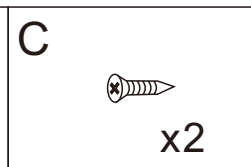
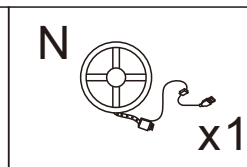
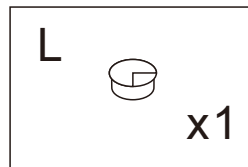
### Step 9



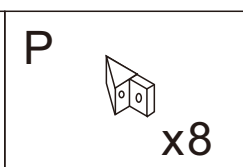
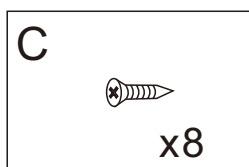
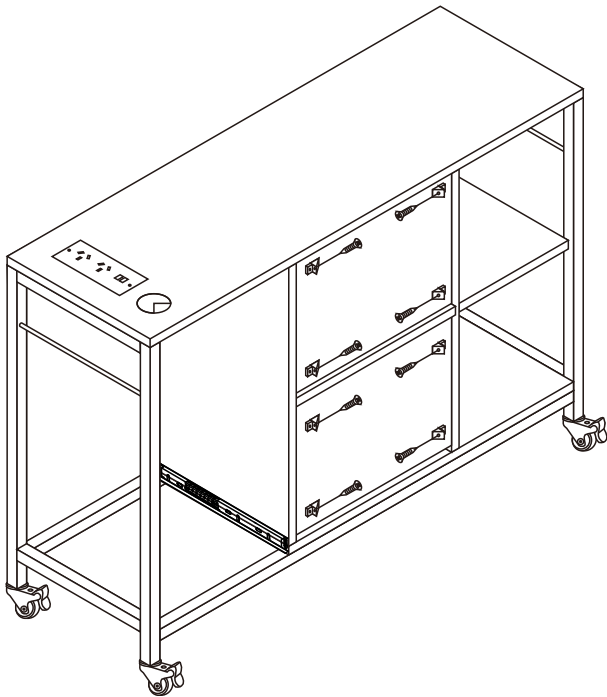
### Step 10



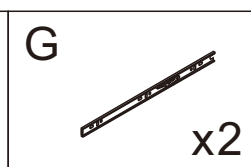
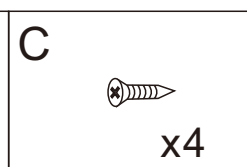
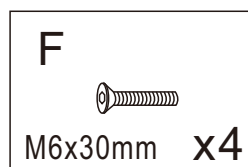
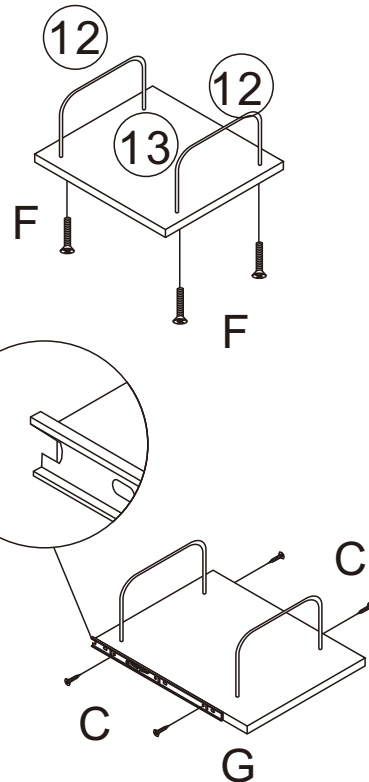
The light tape is attached to the middle of the back of the table



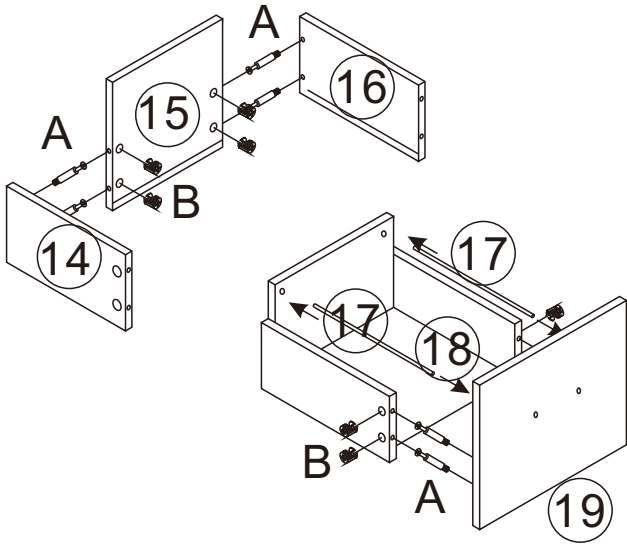
### Step 11





### Step 12

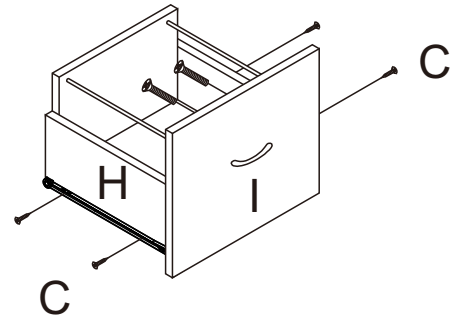





### Step 13



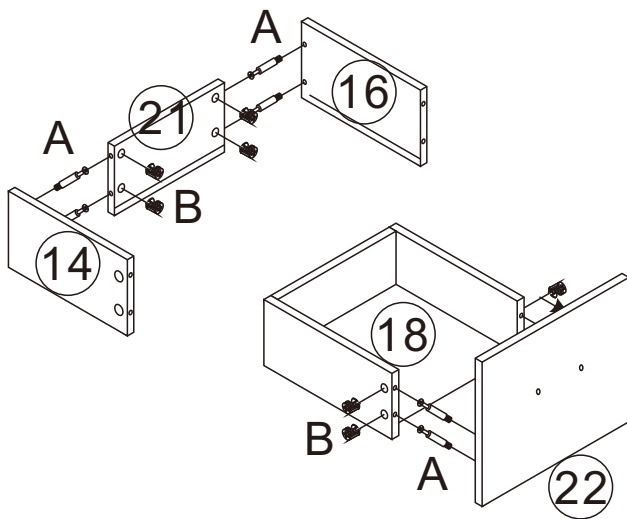
<p>A</p>  <p>x8</p>	<p>B</p>  <p>x8</p>
--	--



### Step 14



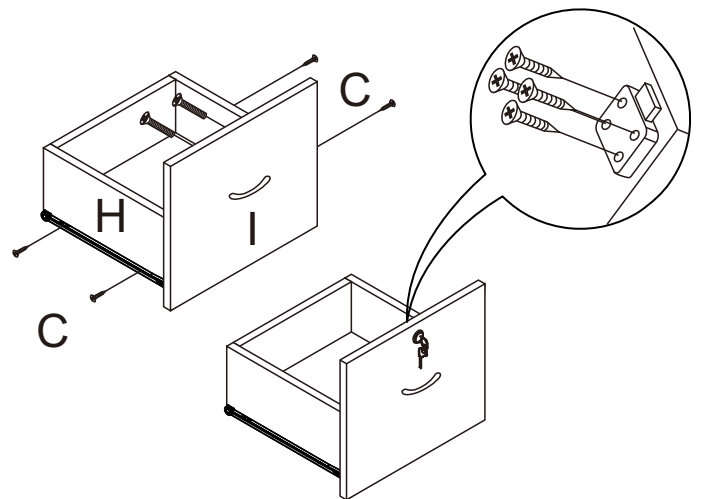
<p>C</p>  <p>x4</p>	<p>H</p>  <p>x2</p>	<p>I</p>  <p>x2</p>
---	---	---





### Step 15



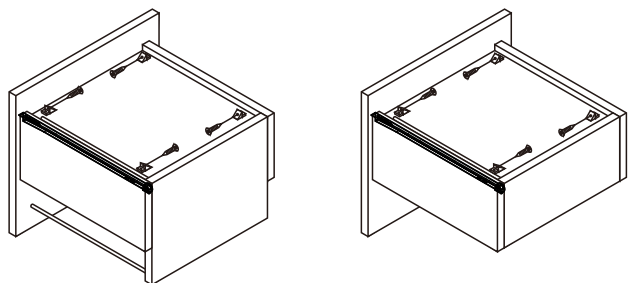
<p>A</p>  <p>x8</p>	<p>B</p>  <p>x8</p>
--	--

### Step 16



<p>C</p>  <p>x8</p>	<p>H</p>  <p>x2</p>	<p>I</p>  <p>x2</p>	<p>K</p>  <p>x1</p>
---	--	--	--

## Step 17



C



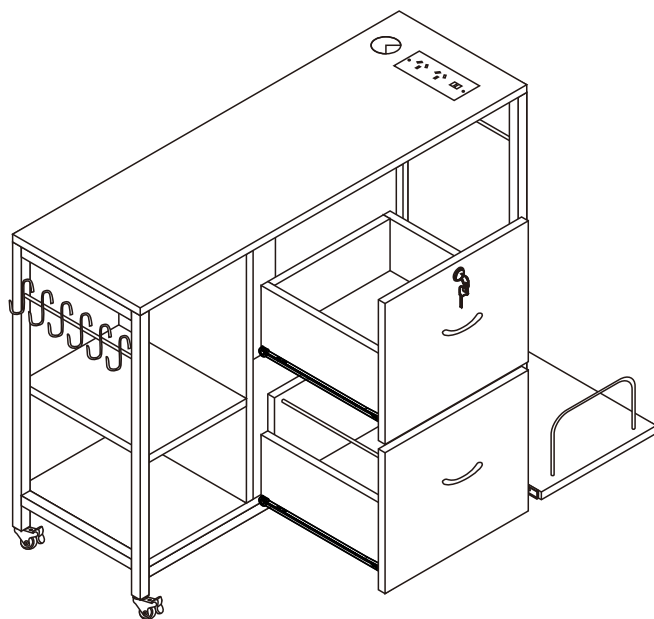
x8

P



x8

## Step 18



## Step 19

