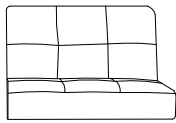
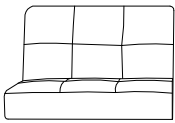



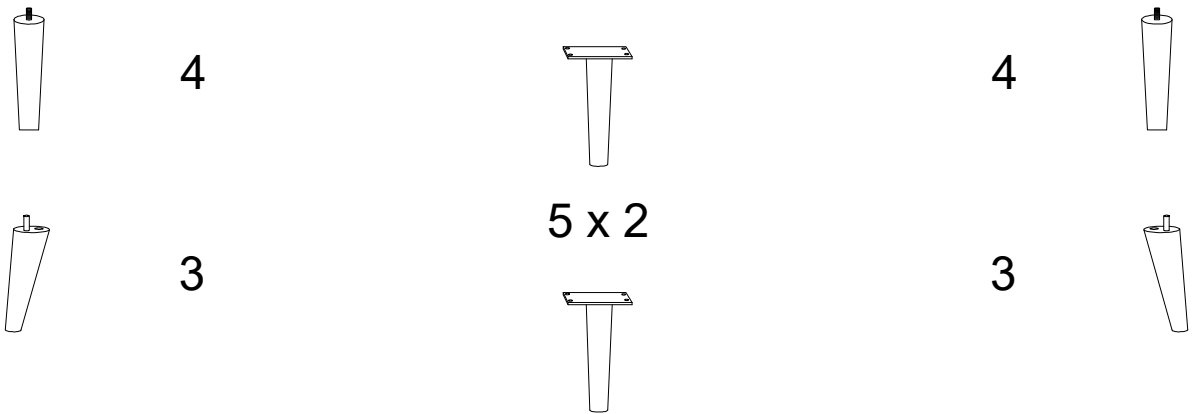
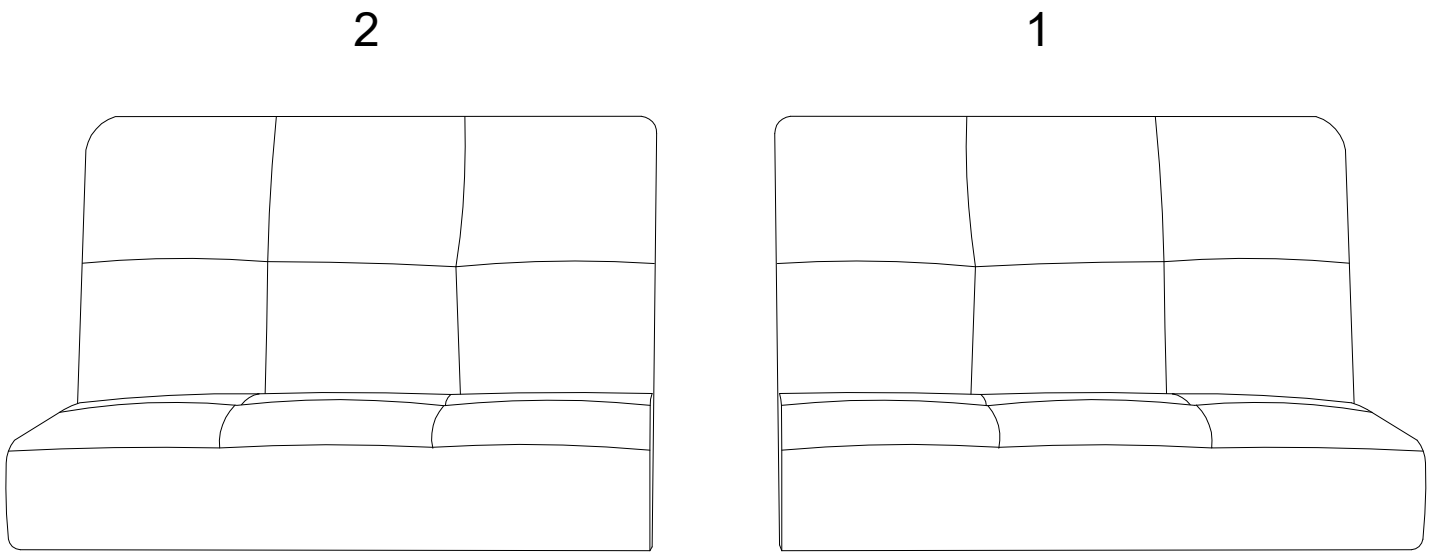
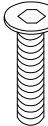
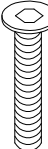
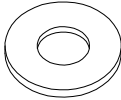

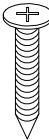
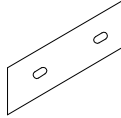



Assembly instructions for step 1/5:

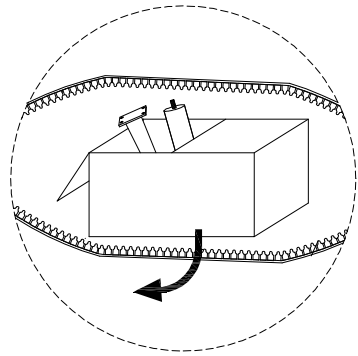
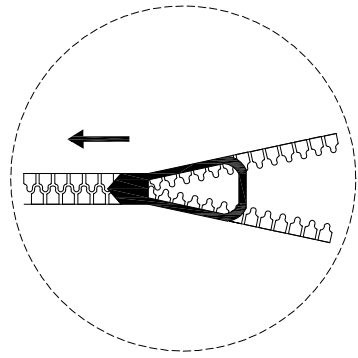
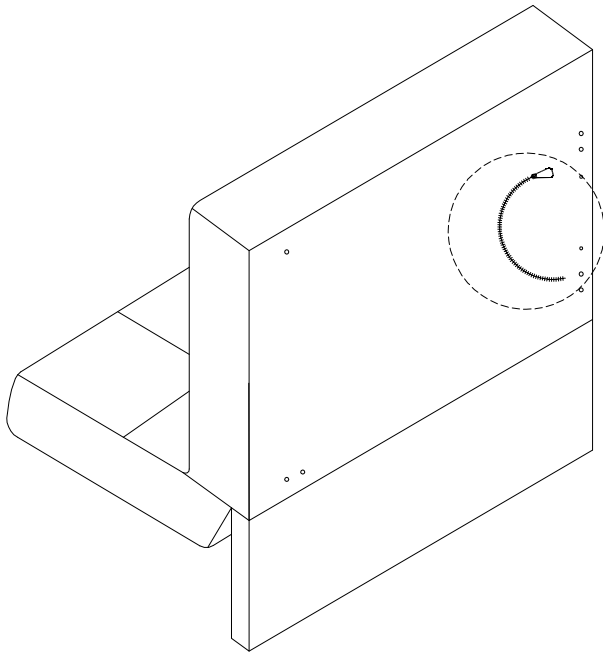
- Tools:** A circle containing a screwdriver and an L-shaped Allen key. A power drill is shown with a diagonal line through it, indicating it is not to be used.
- Warning:** A triangle with an exclamation mark.
- Time:** A clock icon with the number **20'** below it, indicating a 20-minute assembly time.
- Personnel:** A stick figure icon with the number **1** below it, indicating that one person is required for assembly.

1	2	3	4	5
				
x 1	x 1	x 2	x 2	x 2

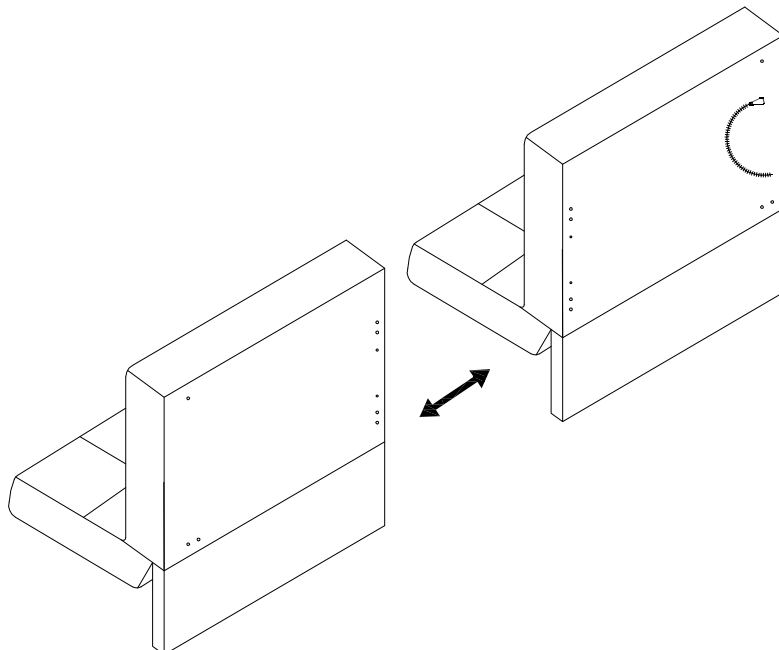
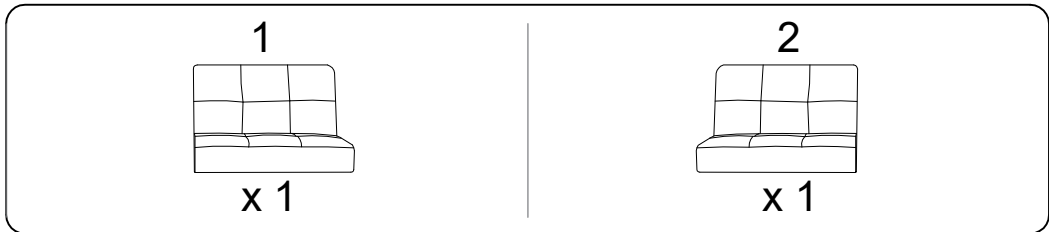


A	B	C	D	E	F	G
						
M8 x 40 x 4	M8 x 60 x 2	x 6	x 2	M4 x 20 x 8	x 2	x 1


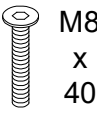
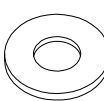

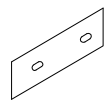
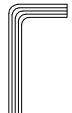
!

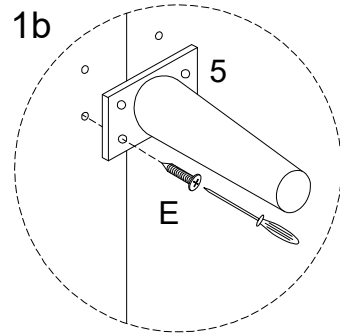
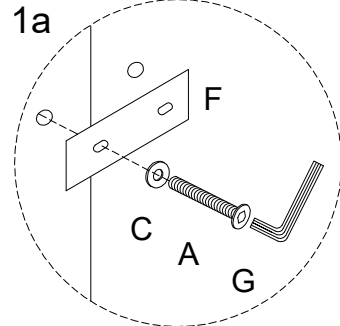
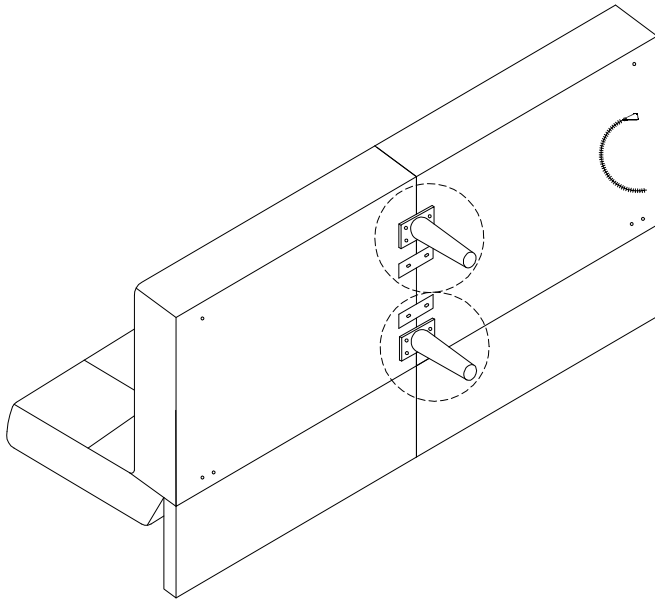


1



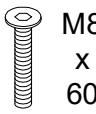
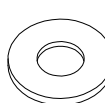
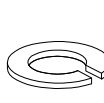
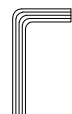


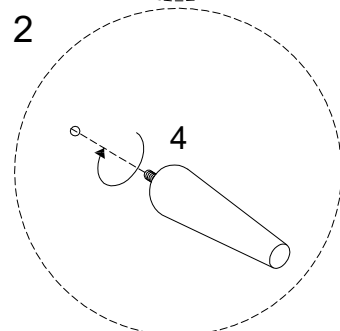
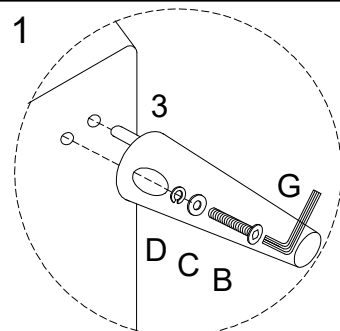
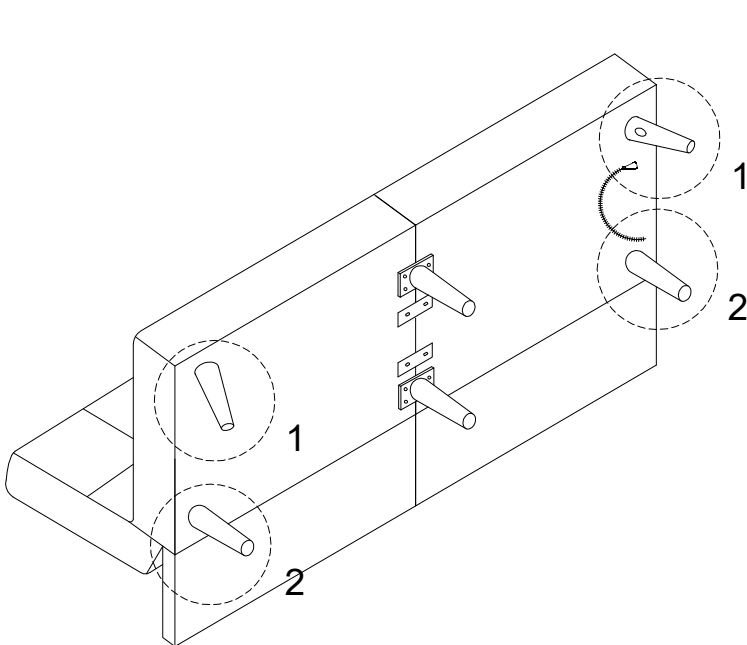
2

 5 x 2	 A M8 x 40 x 4	 C x 4	 E M4 x 20 x 8	 F x 2	 G x 1
---	---	---	--	---	---



3

 3 x 2	 4 x 2	 B M8 x 60 x 2	 C x 2	 D x 2	 G x 1
---	---	---	--	---	---



4

