

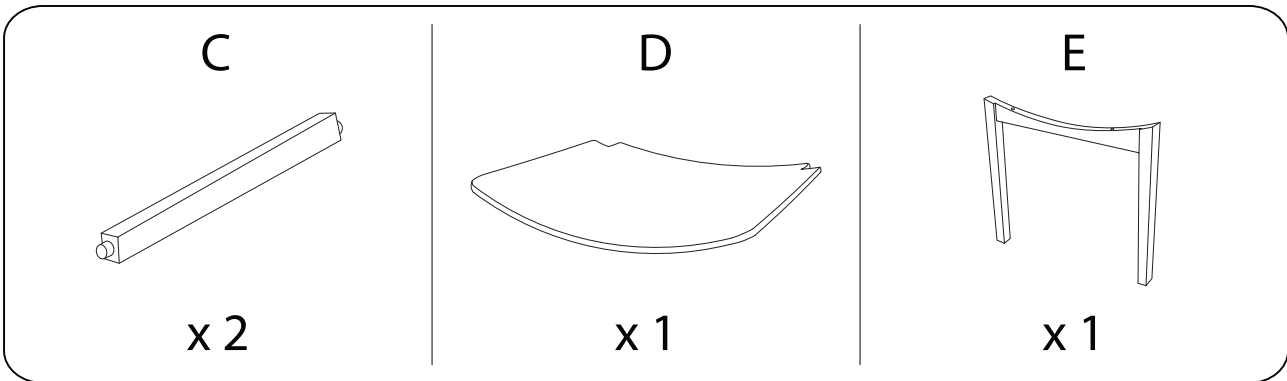
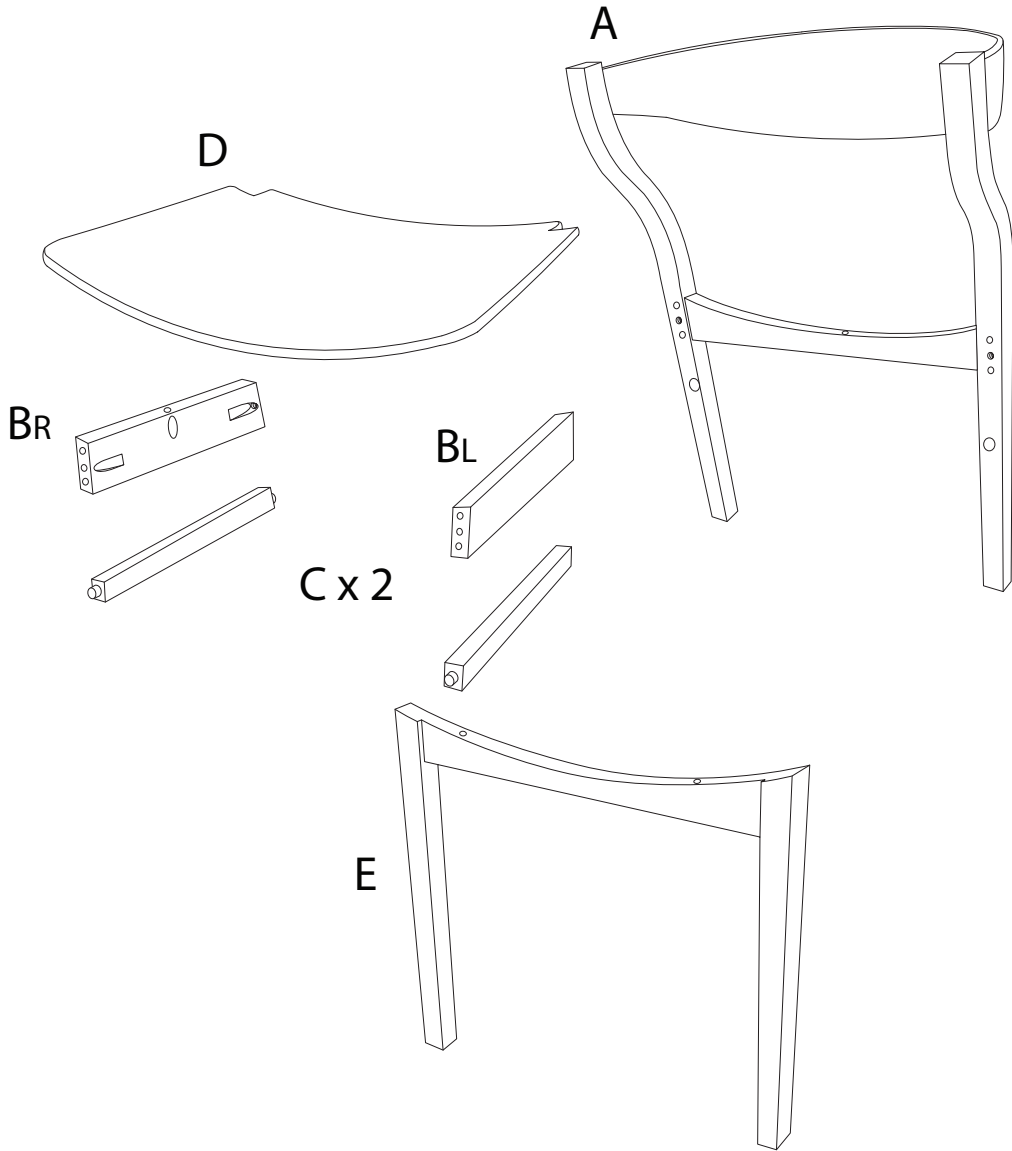
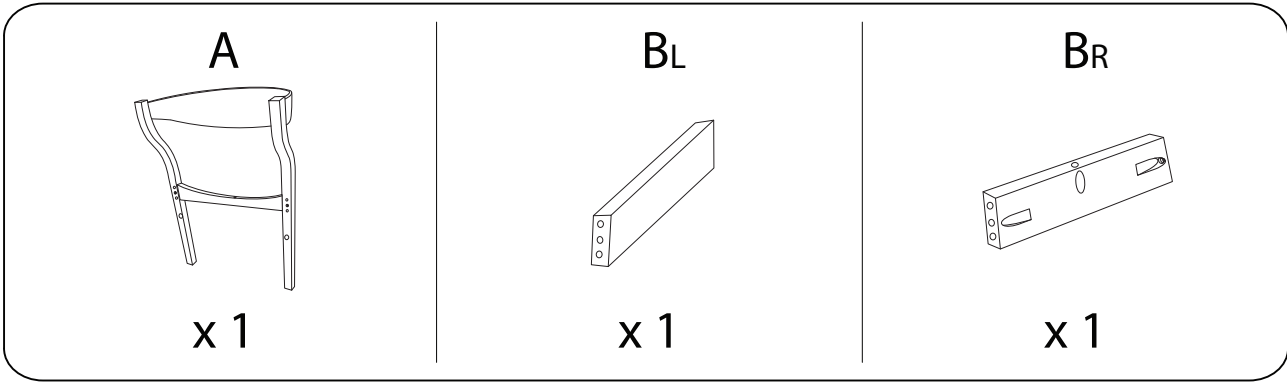
Assembly instructions for the chair, including tool requirements, time, and personnel.

**Tools:** A circular icon contains a screwdriver and an Allen key. A power drill is shown with a diagonal line through it, indicating it is not required.

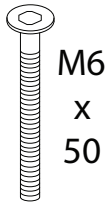
**Time:** A clock icon indicates an estimated assembly time of 30 minutes.

**Personnel:** A person icon and the number 2 indicate that two people are required for assembly.

**Warnings:** Two warning triangles (exclamation marks) are present. The top one is connected to the tool requirements, and the bottom one is connected to the personnel requirement.

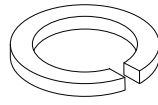


1



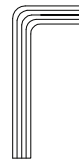
x 4

2



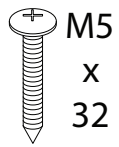
x 4

3



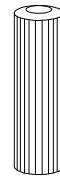
x 1

4



x 9

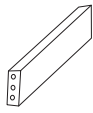
5



x 8

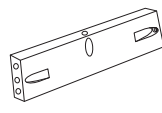
1

BL



x 1

BR

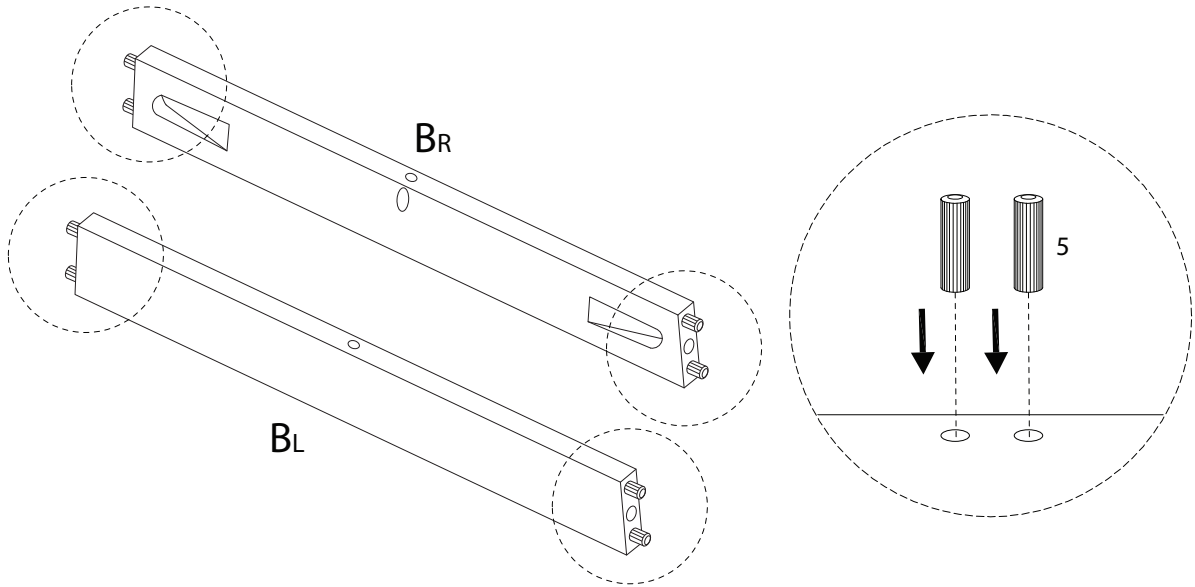


x 1

5



x 8



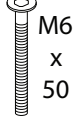
2

E



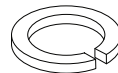
x 1

1



x 2

2

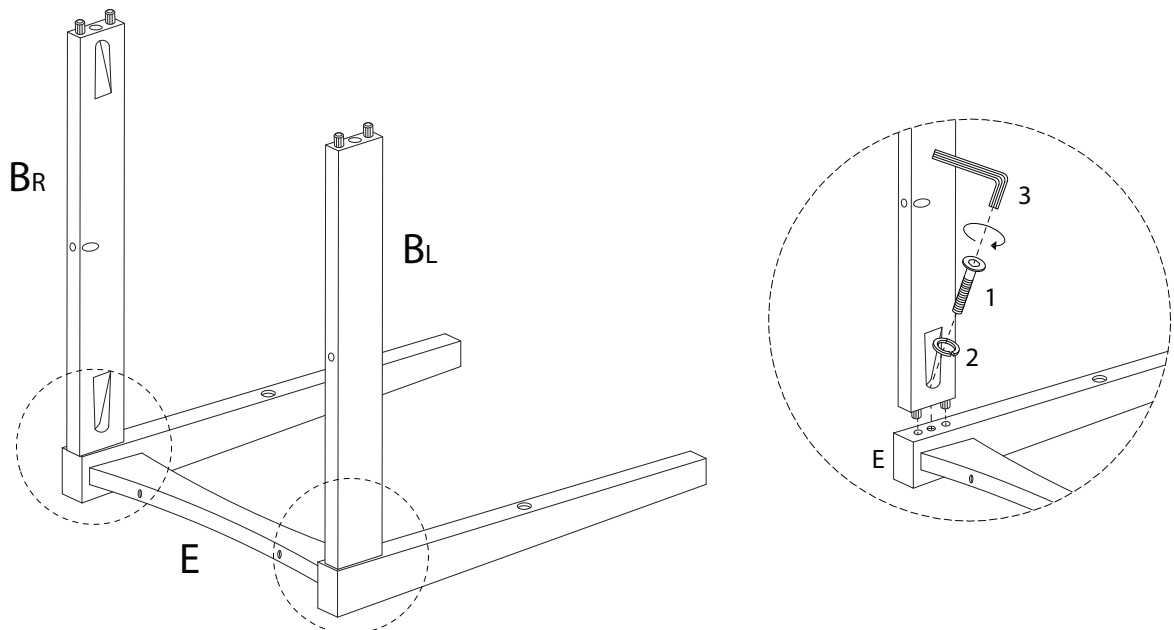


x 2

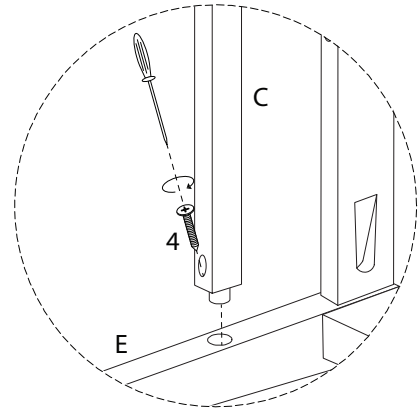
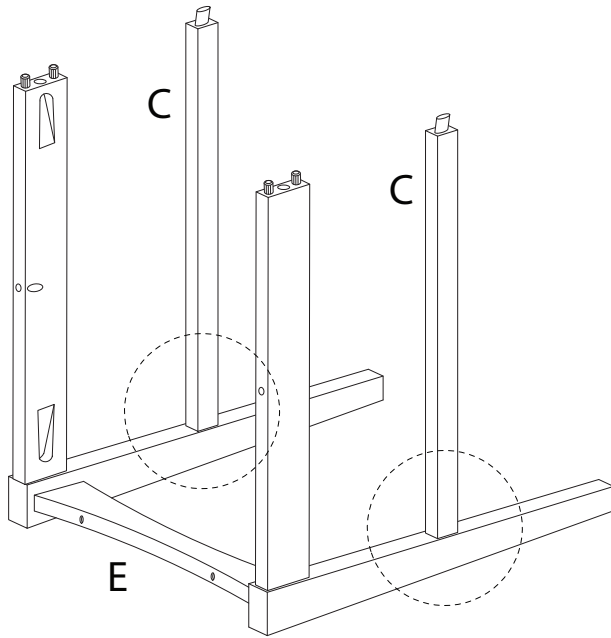
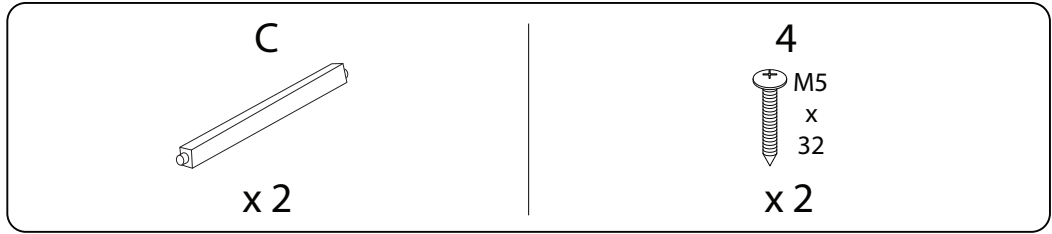
3



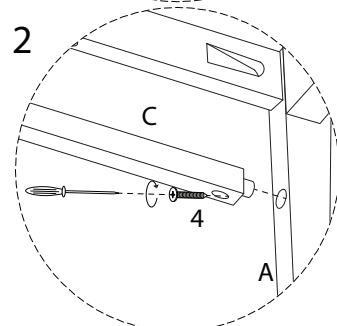
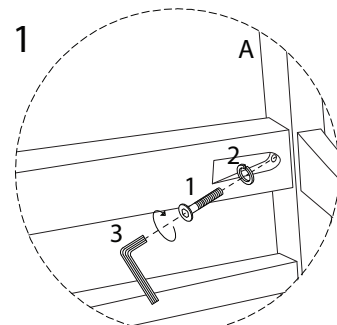
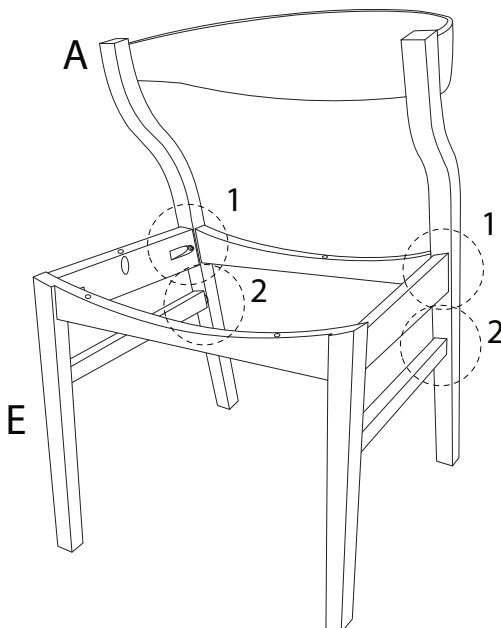
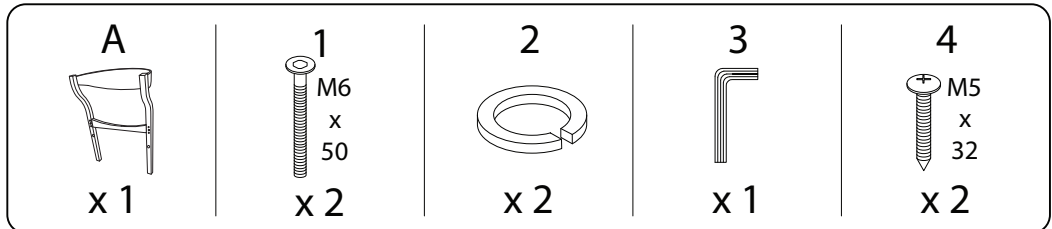
x 1



3



4



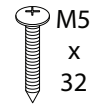
5

D



x 1

4



x 5

D

