

ASSEMBLY INSTRUCTIONS



Mirror

ASSEMBLY INSTRUCTIONS

ASSEMBLY TIPS:

1. Remove hardware from box and sort by size.
2. Please check to see that all hardware and parts are present prior to start of assembly.
3. Please follow attached instructions in the same sequence as numbered to assure fast & easy assembly.



WARNING!

1. Don't attempt to repair or modify parts that are broken or defective. Please contact the store immediately.
2. This product is for home use only and not intended for commercial establishments.



ASSEMBLY TIME

10 MINUTES

PARTS IDENTIFICATION

A MIRROR



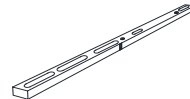
1PC

B DRESSER FROM BOX
ITEM #222893



1PC

C MIRROR SUPPORT
(PACKED WITH MIRROR)



2PCS

HARDWARE IDENTIFICATION

1 SHORT BOLT
(M6 x 30mm - BLK)



4PCS

2 LONG BOLT
(M6 x 40mm - BLK)



4PCS

3 LOCK WASHER
(1/4" - BLK)



8PCS

4 FLAT WASHER
(1/4"ID x 19mm - BLK)



8PCS

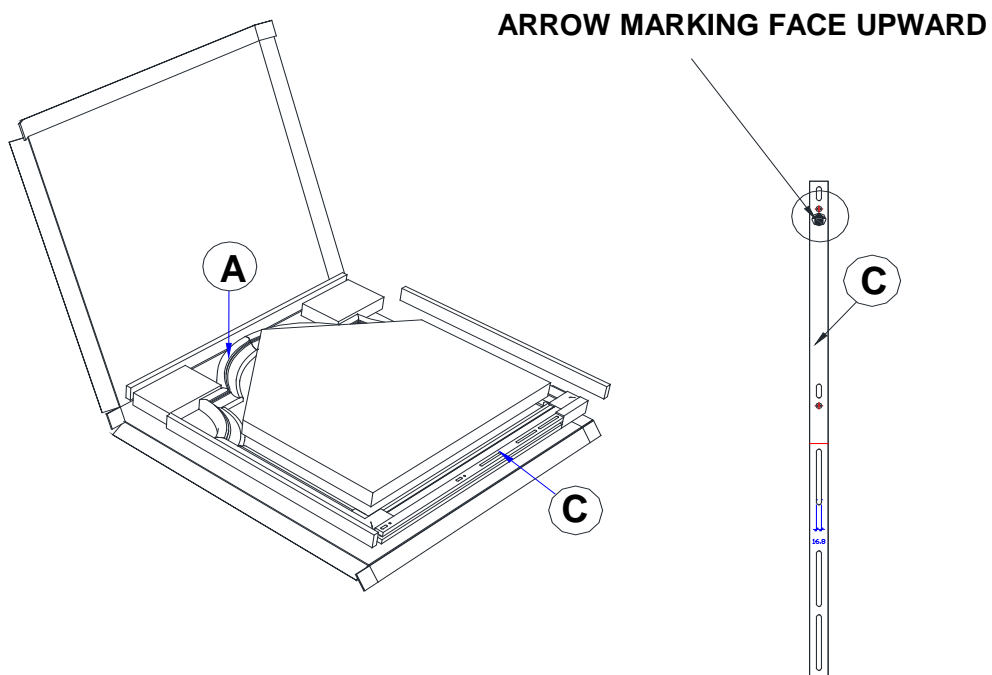
5 ALLEN WRENCH
(M4 x 60MM - BLK)



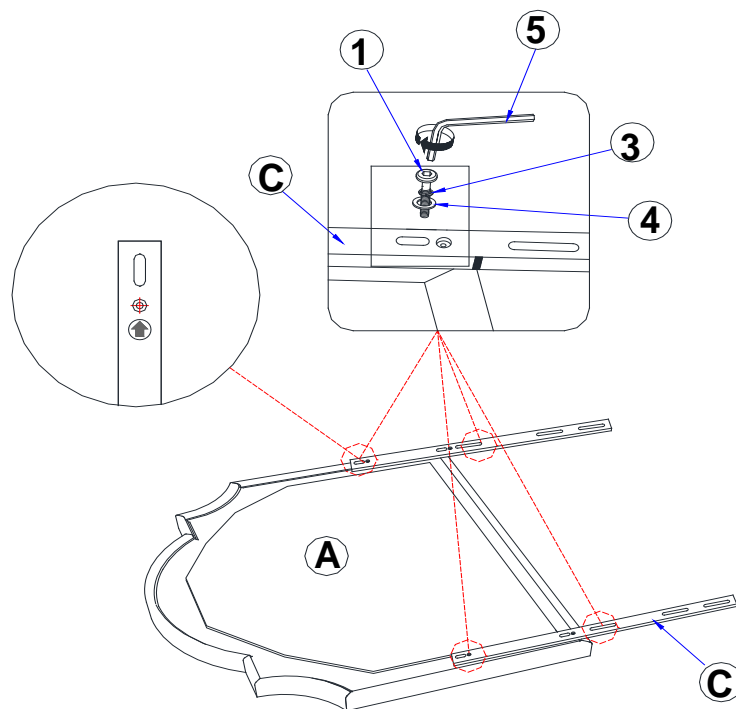
1PC

ASSEMBLY INSTRUCTIONS

STEP 1



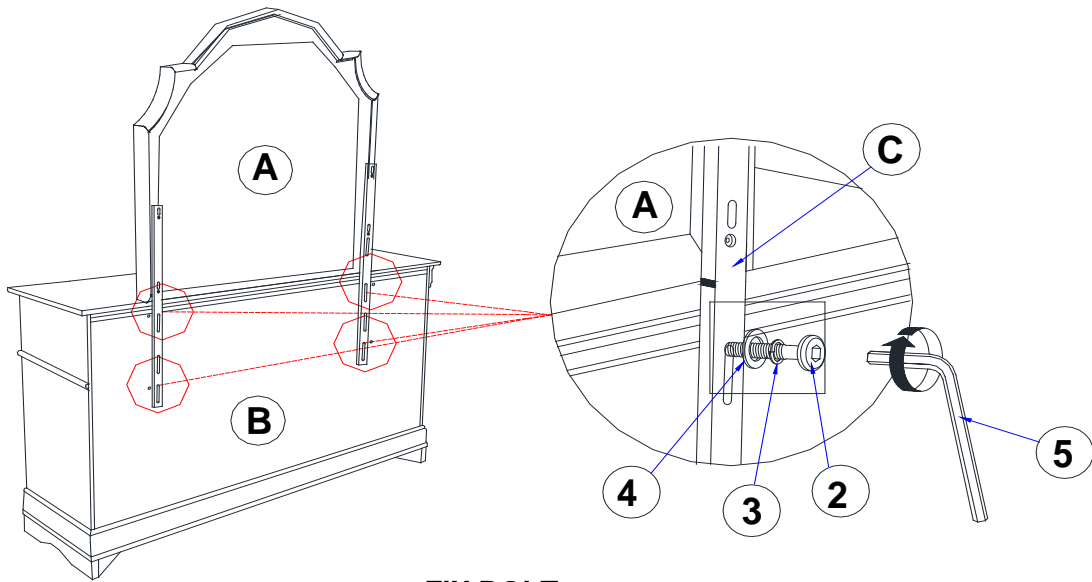
STEP 2



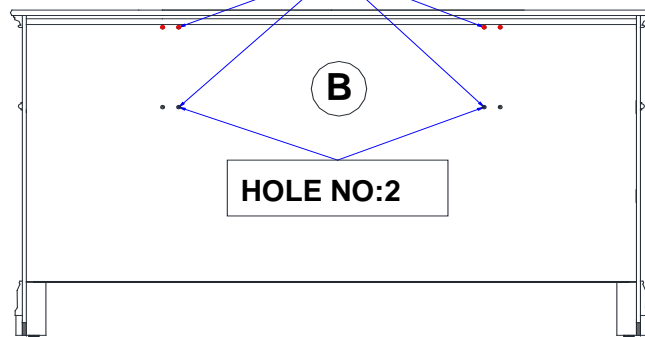
****BACK VIEW****

ASSEMBLY INSTRUCTIONS

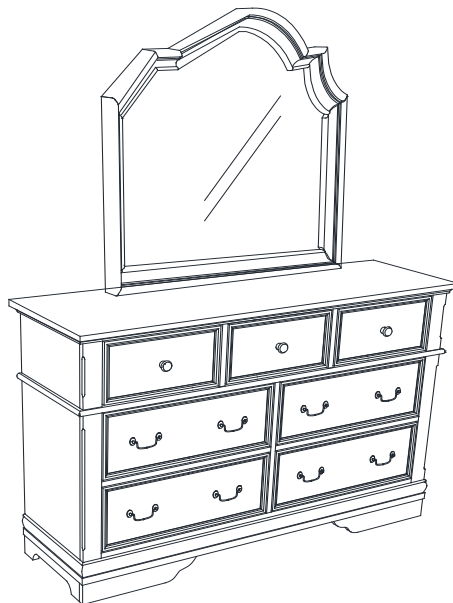
STEP 3



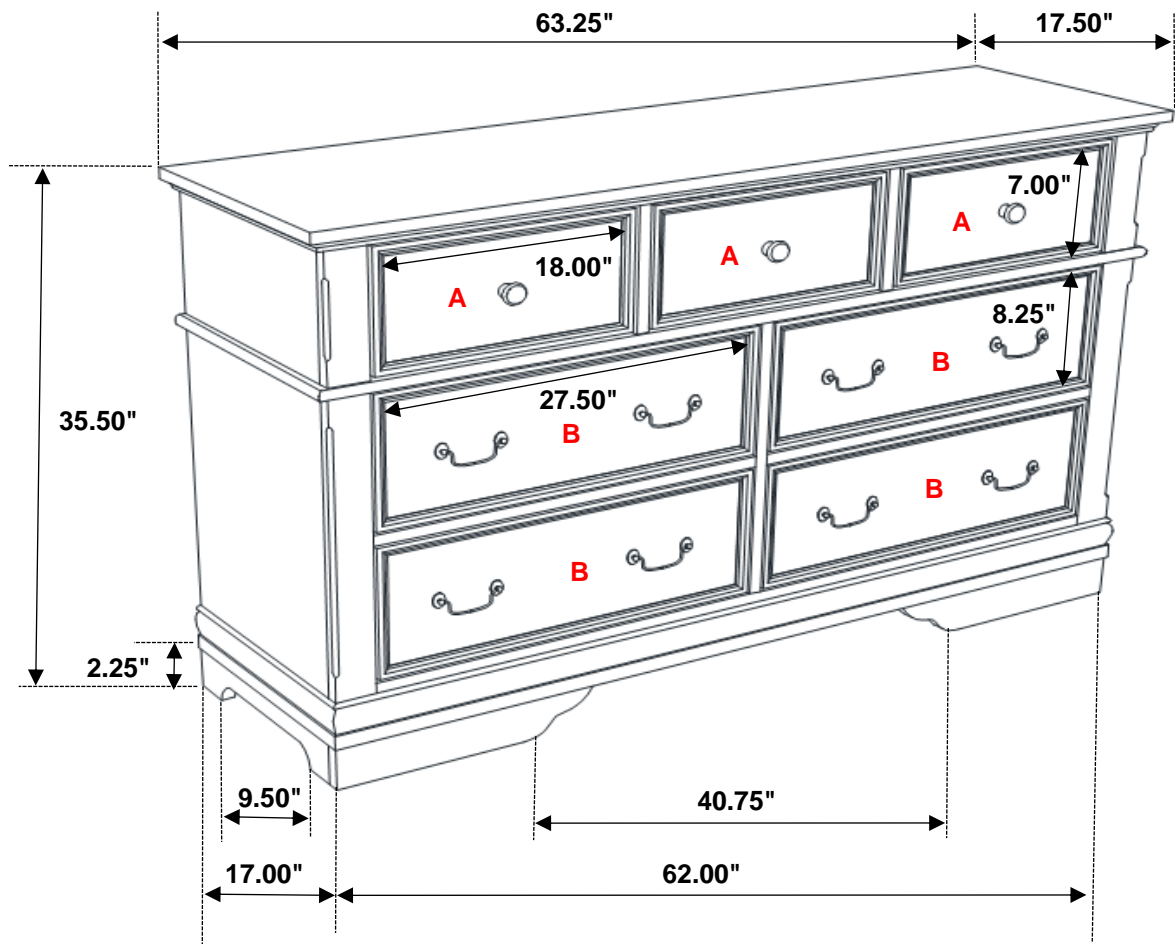
FIX BOLT
INTO HOLE NO:2



STEP 4 COMPLETE



Inner Size of Drawer A : 15.00"W X 12.50"D X 5.25"H X 0.25"T
Inner Size of Drawer B : 25.00"W X 12.50"D X 6.25"H X 0.25"T



Note: Dimension tolerance $\pm 5\%$