

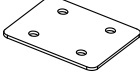





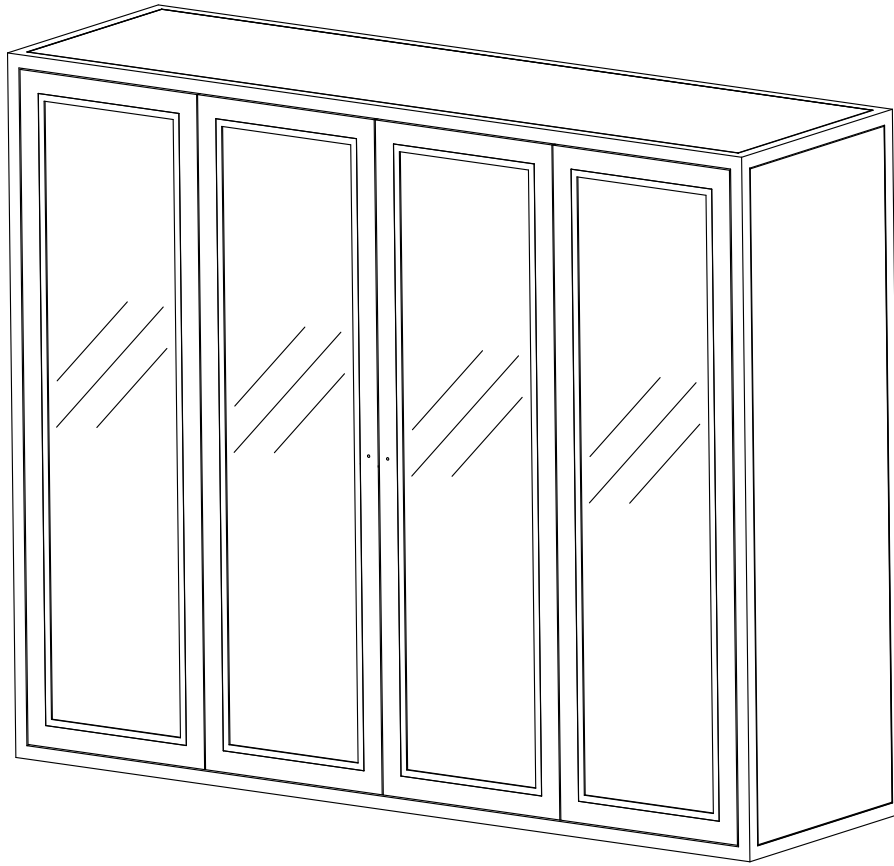
ASSEMBLY INSTRUCTION FOR CABINET

HARDWARE LIST

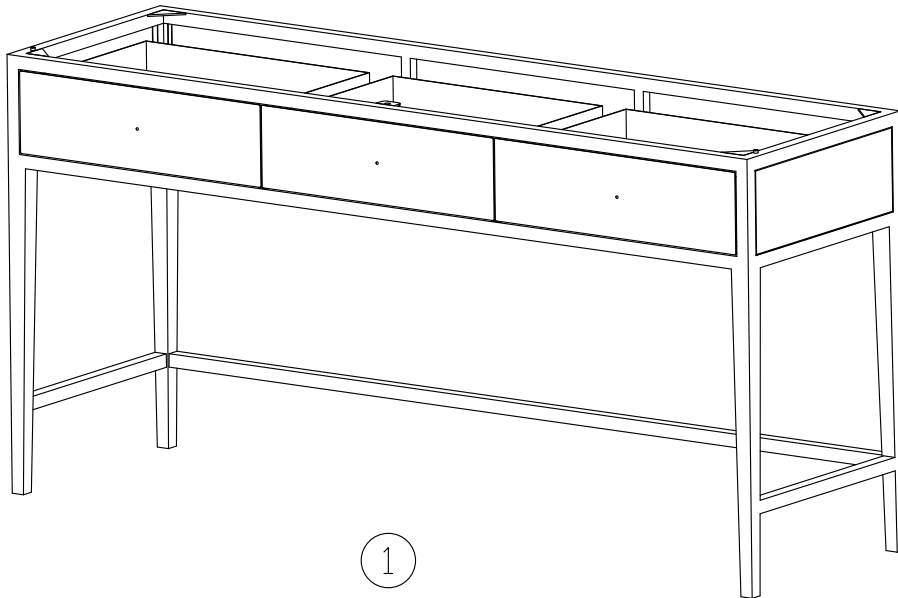
A		Bolt	M6 x 15mm	9
B		Washer	6 x 16mm	9
C		Lock Washer	60 x 70 mm	2
D		Allen Key	4mm	1
E		Tipping Hardware		1 SET
F		Screwdrivers (Not included)		1



COMPONENTS

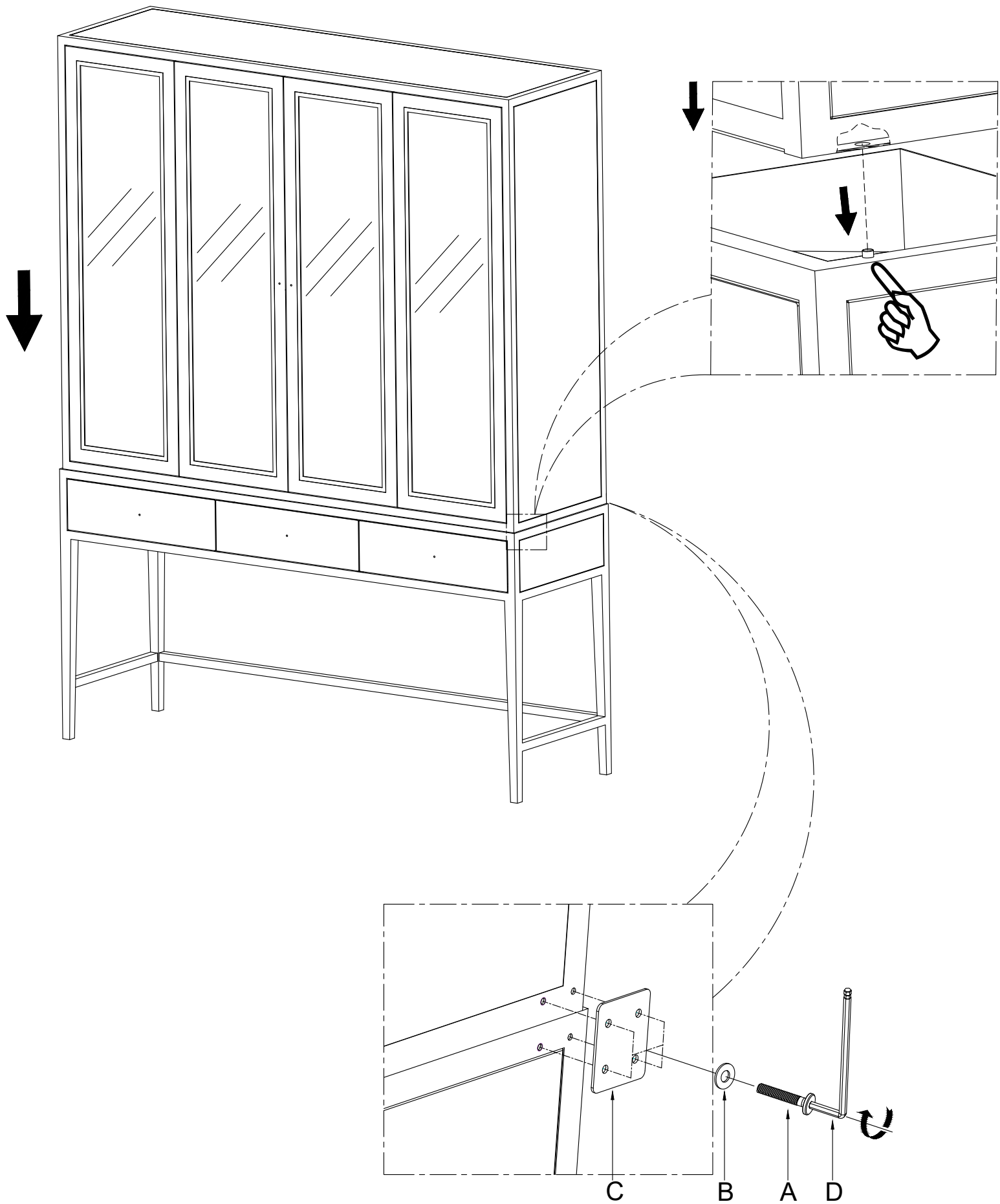


2

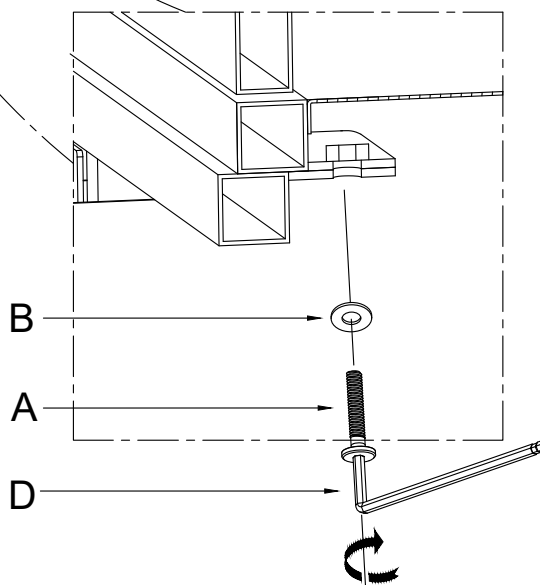
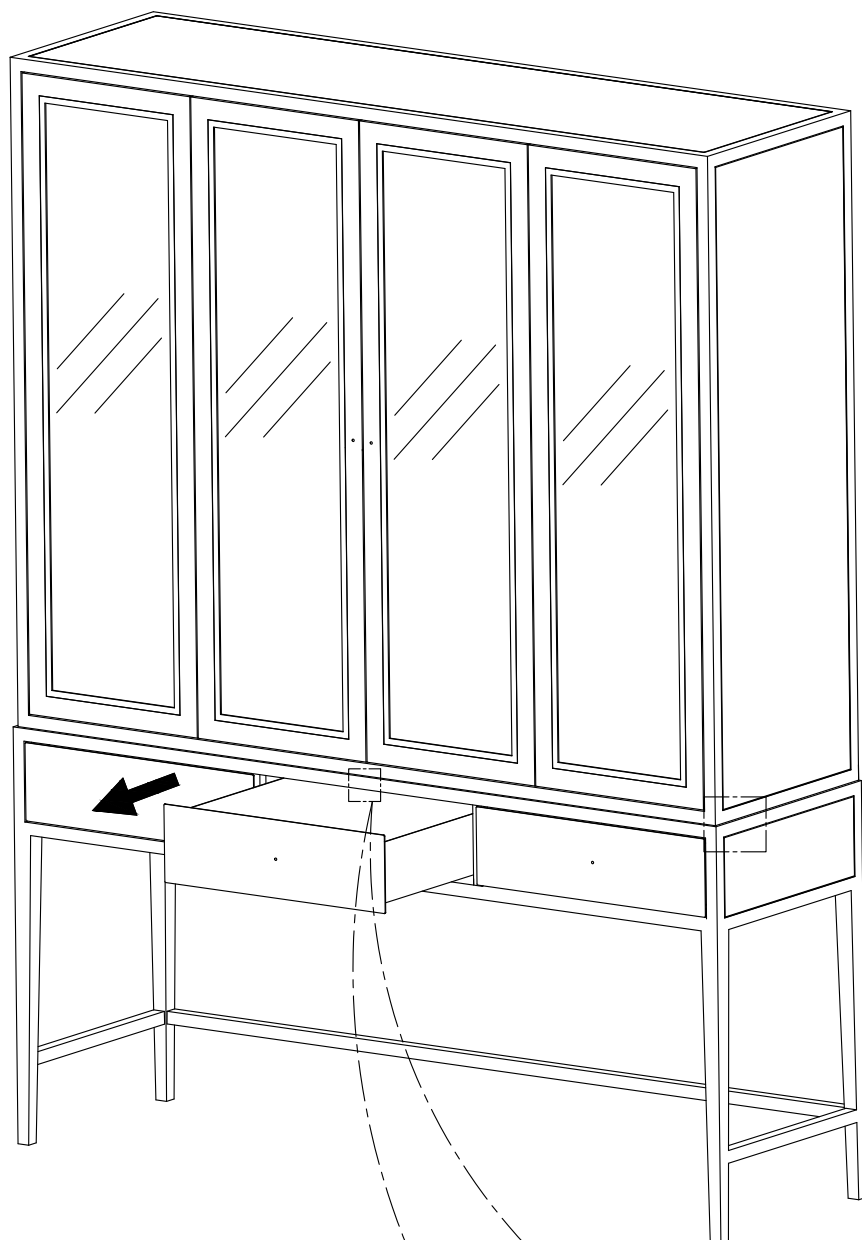


1

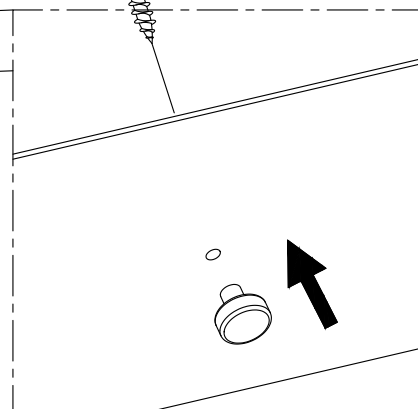
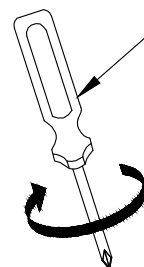
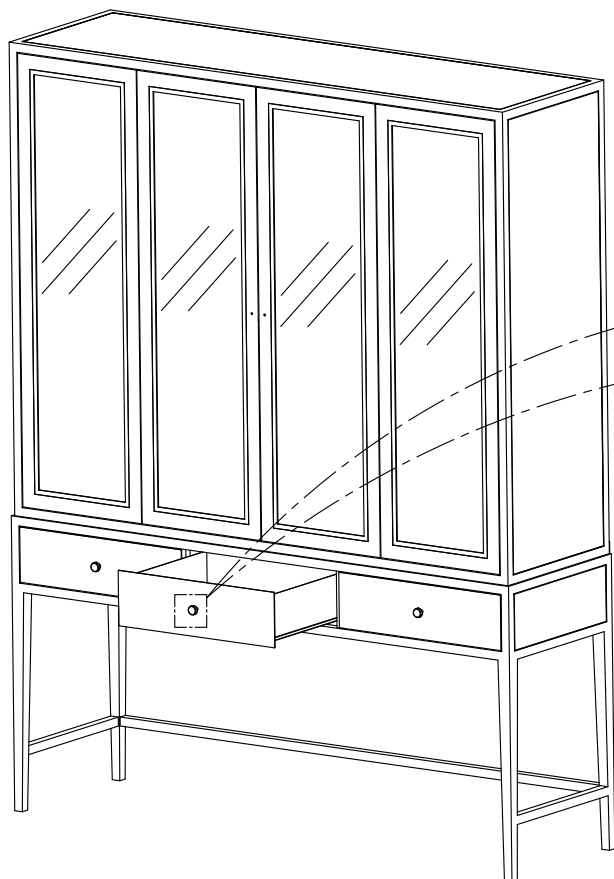
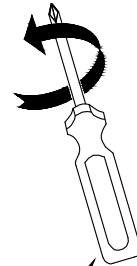
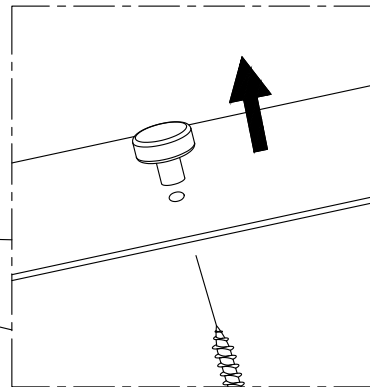
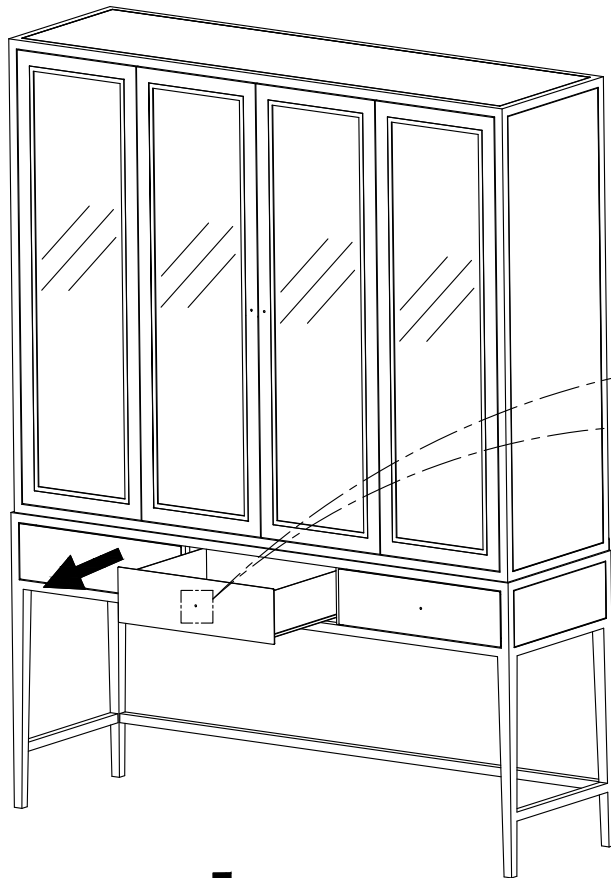
1



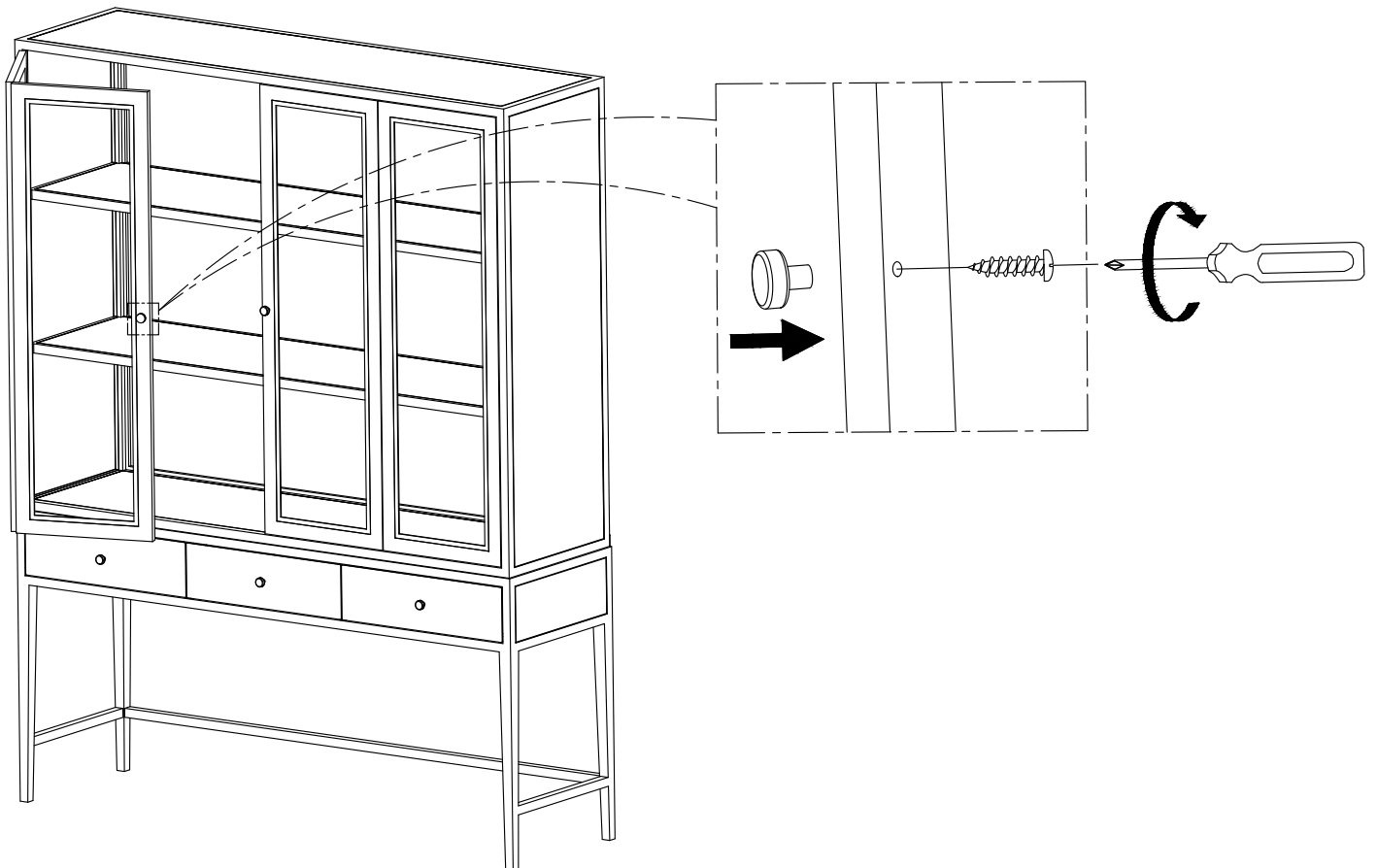
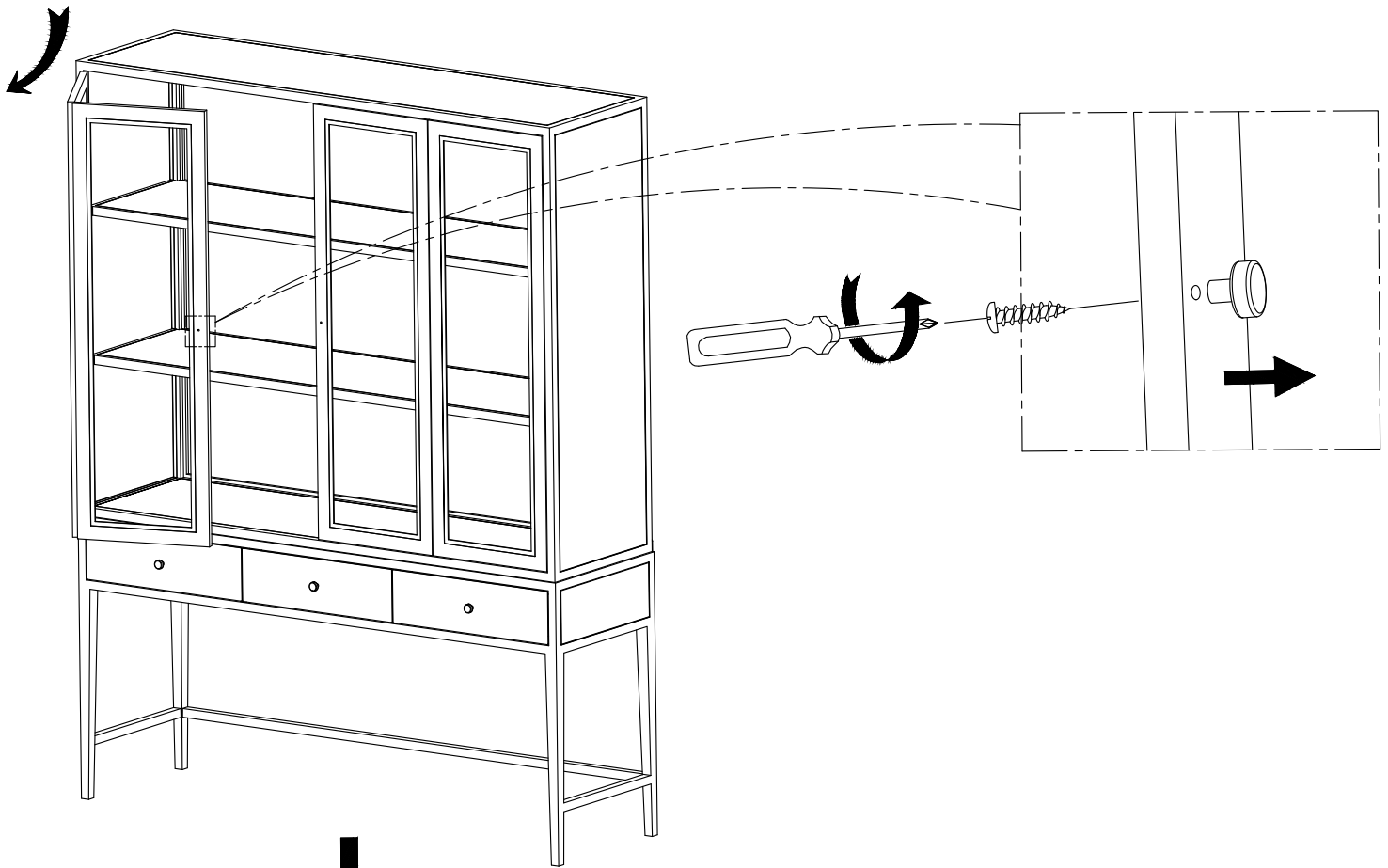
2



3



4



5

Tipping Hardware

